



US00D824009S

(12) **United States Design Patent**  
**Kim et al.**

(10) **Patent No.:** **US D824,009 S**

(45) **Date of Patent:** **\*\* Jul. 24, 2018**

(54) **HUMIDIFICATION FILTER FOR AIR PURIFIER WITH HUMIDIFIER**

(71) Applicant: **LG ELECTRONICS INC.**, Seoul (KR)

(72) Inventors: **Joosang Kim**, Seoul (KR); **Sungkyong Han**, Seoul (KR); **Yoojeung Han**, Seoul (KR); **Sehwan Bae**, Seoul (KR)

(73) Assignee: **LG Electronics Inc.**, Seoul (KR)

(\*\*) Term: **15 Years**

(21) Appl. No.: **35/503,214**

(22) Filed: **Dec. 20, 2016**

(80) **Hague Agreement Data**

Int. Filing Date: **Dec. 20, 2016**

Int. Reg. No.: **DM/094063**

Int. Reg. Date: **Dec. 20, 2016**

Int. Reg. Pub. Date: **Jun. 23, 2017**

(51) **LOC (11) Cl.** ..... **23-04**

(52) **U.S. Cl.**  
USPC ..... **D23/365**

(58) **Field of Classification Search**  
USPC ..... D23/209, 210, 335, 336, 352, 355, 356, D23/358, 364, 365, 375  
CPC ..... A61L 9/00; A61L 9/02; A61L 9/03; A61L 9/034; A61L 9/04; A61L 9/12; A61L 9/032; A61L 9/122; A61L 9/127; A61L 9/22; B01D 46/00; B01D 46/0002; B01D 46/20; F02M 35/04; F24F 13/20; A62B 21/00

See application file for complete search history.

(56) **References Cited**

U.S. PATENT DOCUMENTS

D403,418 S *	12/1998	Brinkman	.....	D23/365
D460,169 S *	7/2002	Anderson	.....	D23/365
D462,233 S *	9/2002	Jørgensen	.....	D7/400
D694,851 S *	12/2013	Solakian	.....	D23/209
D764,865 S *	8/2016	Hertaus	.....	D7/400
D788,316 S *	5/2017	Kremerman	.....	D24/224
D801,504 S *	10/2017	Kim	.....	D23/358
D806,834 S *	1/2018	Schweitzer	.....	D23/260
D806,846 S *	1/2018	Kim	.....	D23/364
D808,506 S *	1/2018	Koch	.....	D23/365
D810,908 S *	2/2018	Mork	.....	D23/365

\* cited by examiner

*Primary Examiner* — Keli L Hill

(74) *Attorney, Agent, or Firm* — Birch, Stewart, Kolasch & Birch, LLP

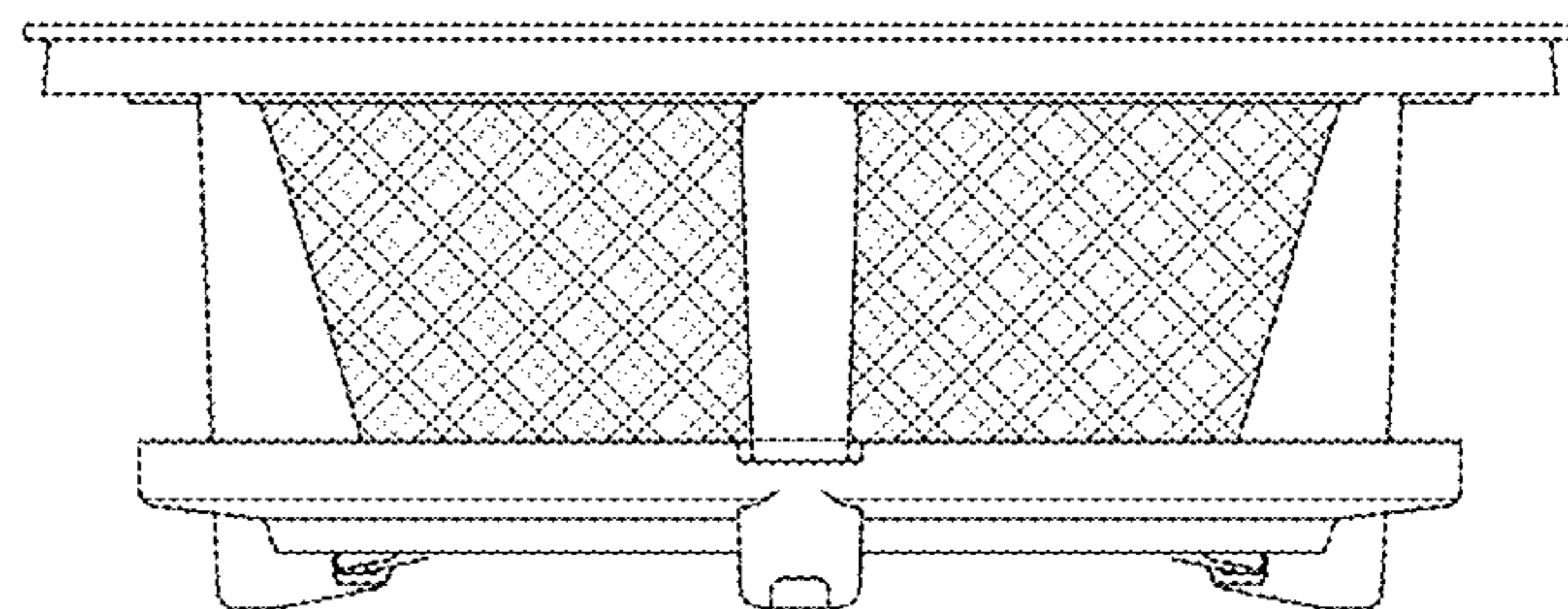
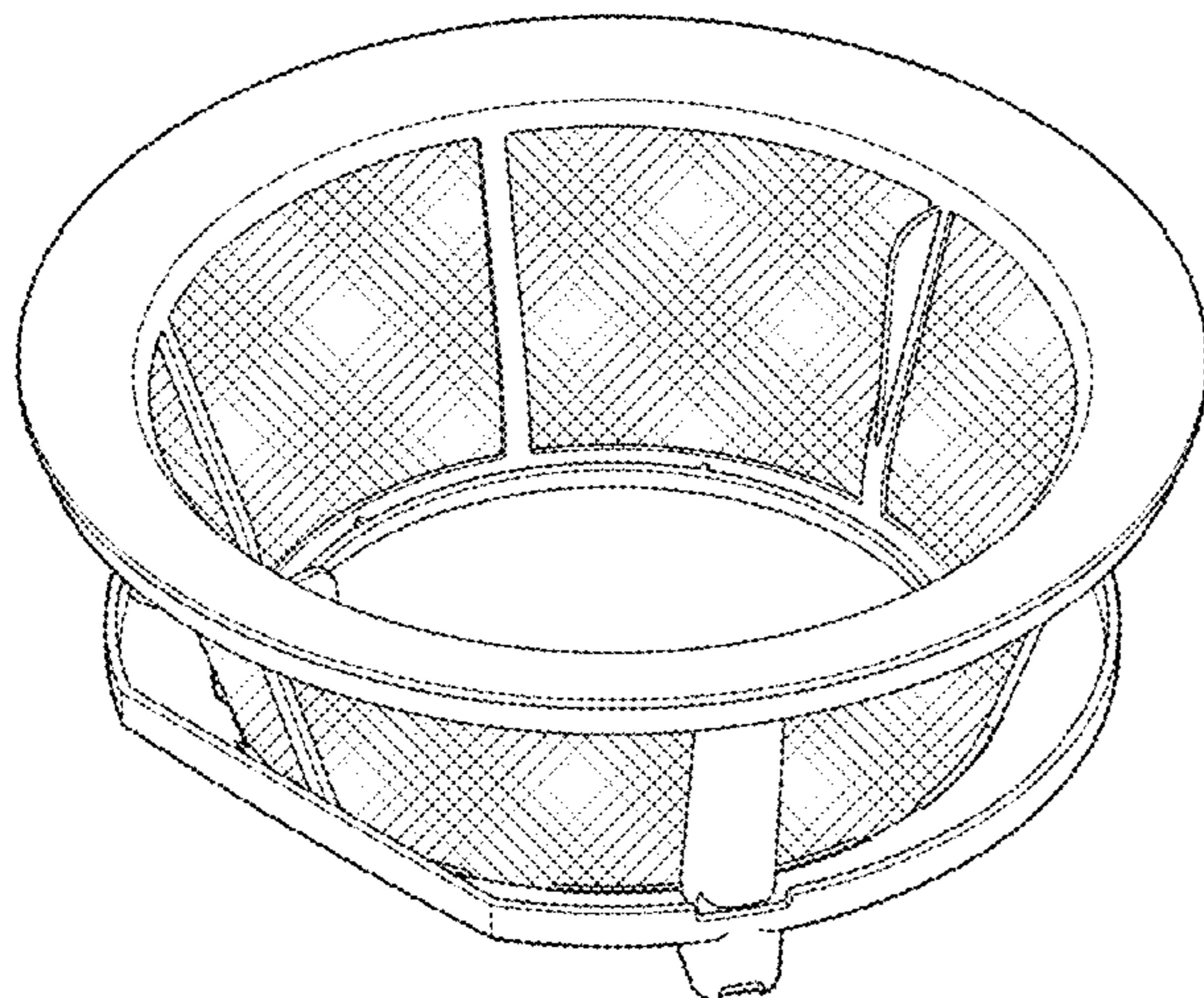
(57) **CLAIM**

The ornamental design for a humidification filter for air purifier with humidifier, as shown and described.

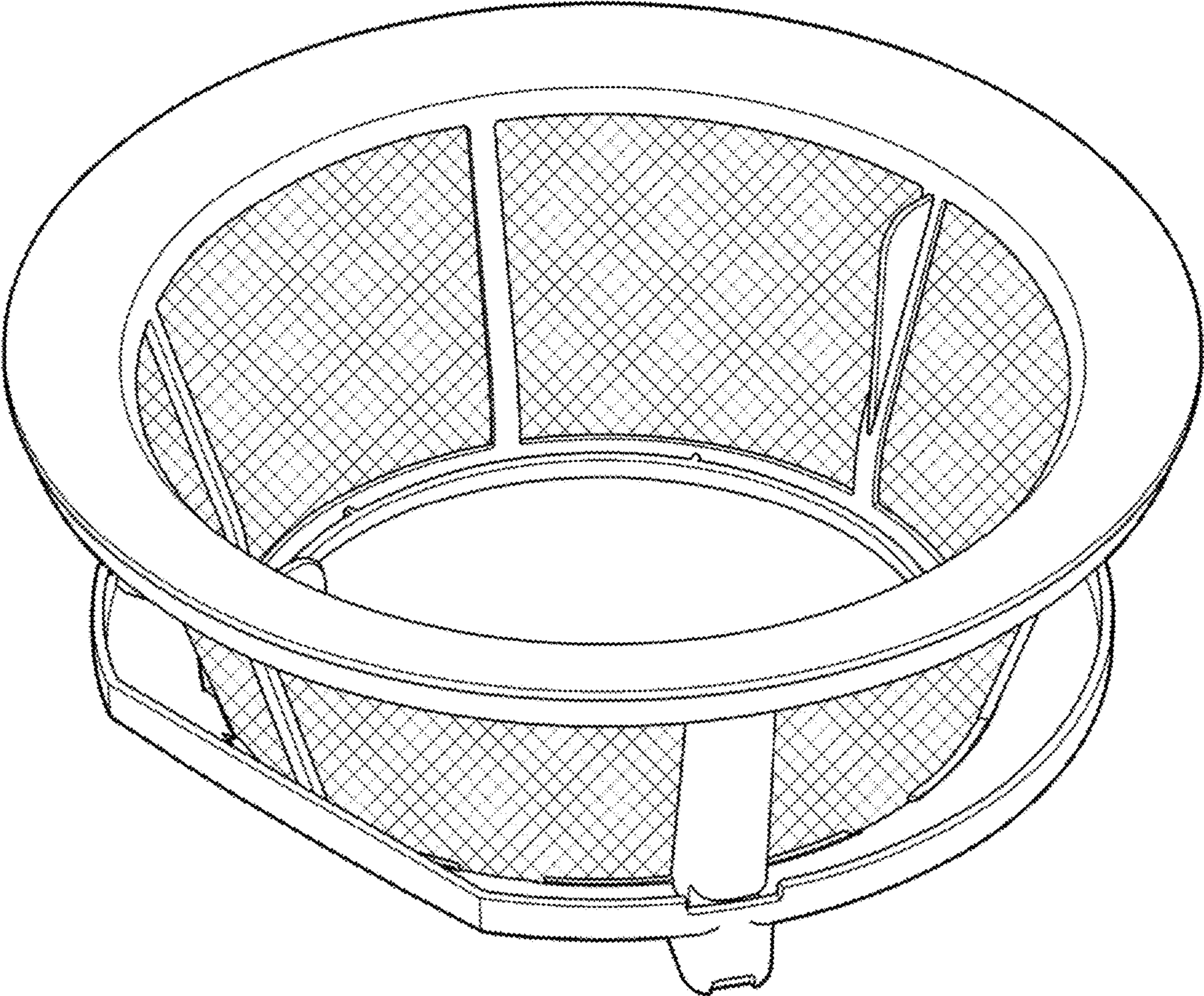
**DESCRIPTION**

1. Humidification filter for air purifier with humidifier
- 1.1 is a top, front and right side perspective view.
- 1.2 is a front elevation view.
- 1.3 is a rear elevation view.
- 1.4 is a left side elevation view.
- 1.5 is a right side elevation view.
- 1.6 is a top plan view.
- 1.7 is a bottom plan view.

**1 Claim, 7 Drawing Sheets**

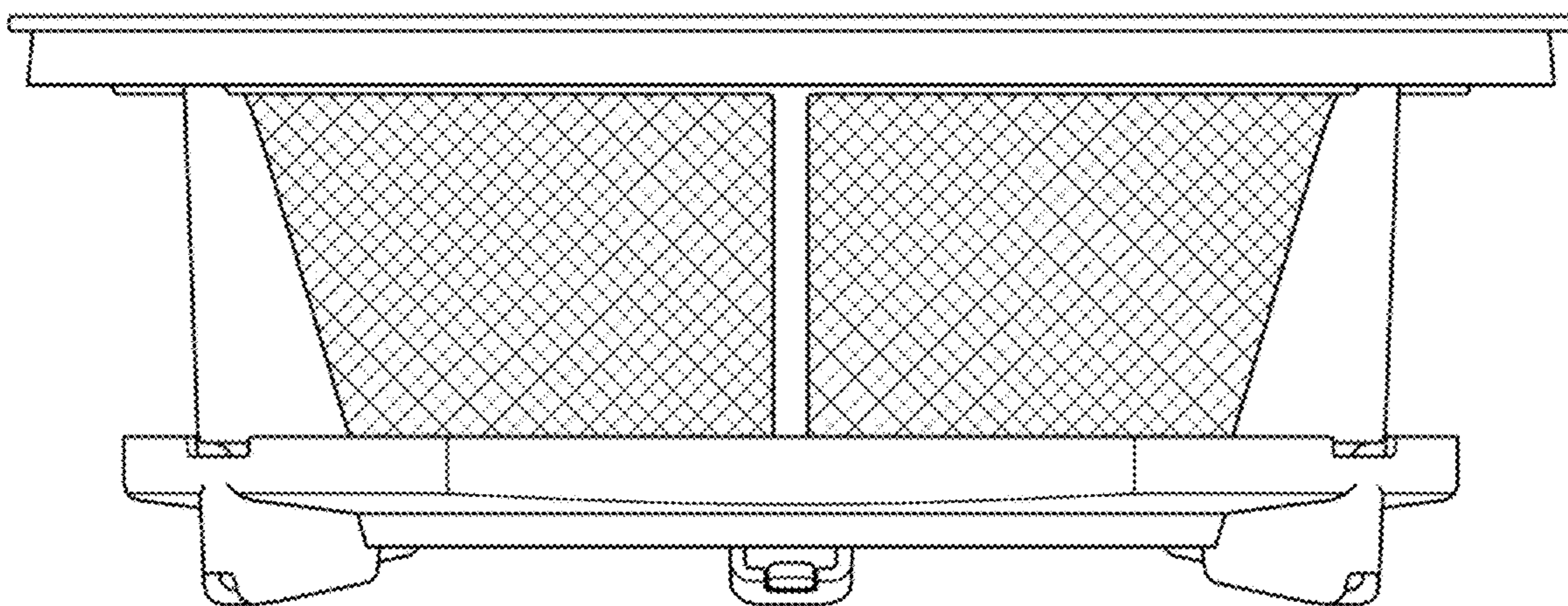


1.1

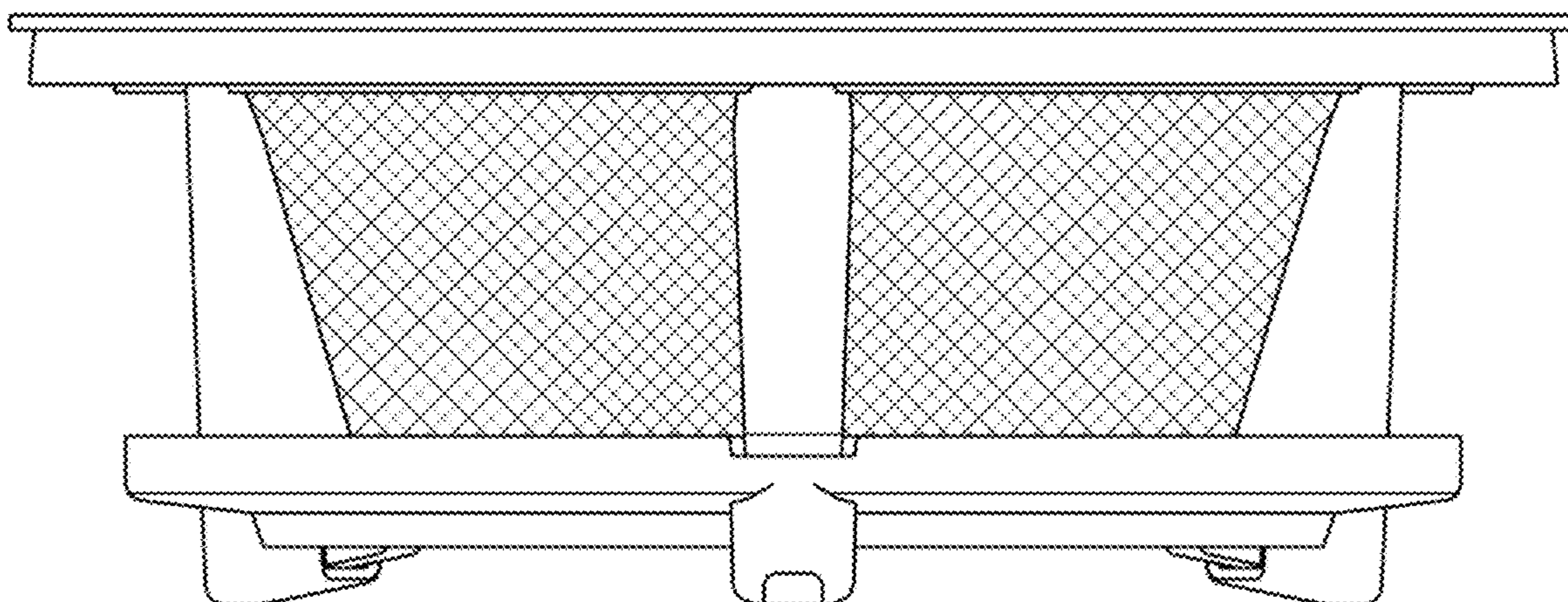




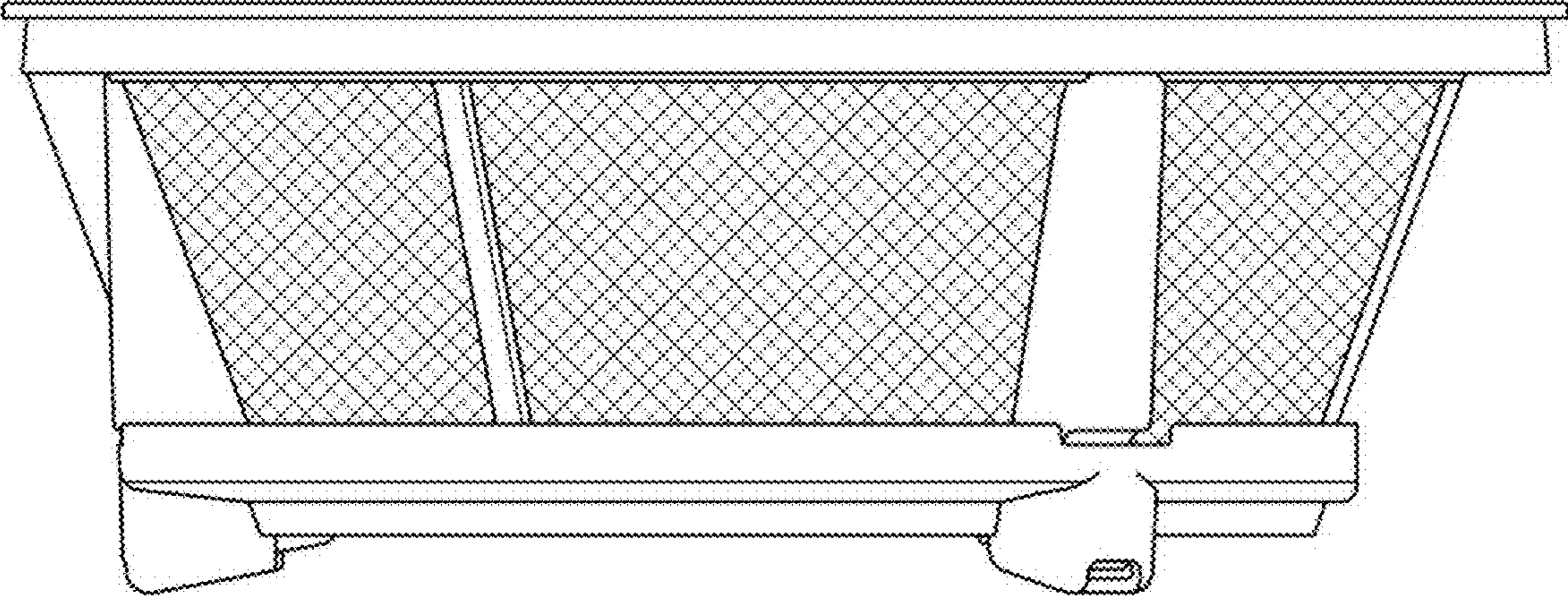
1.2



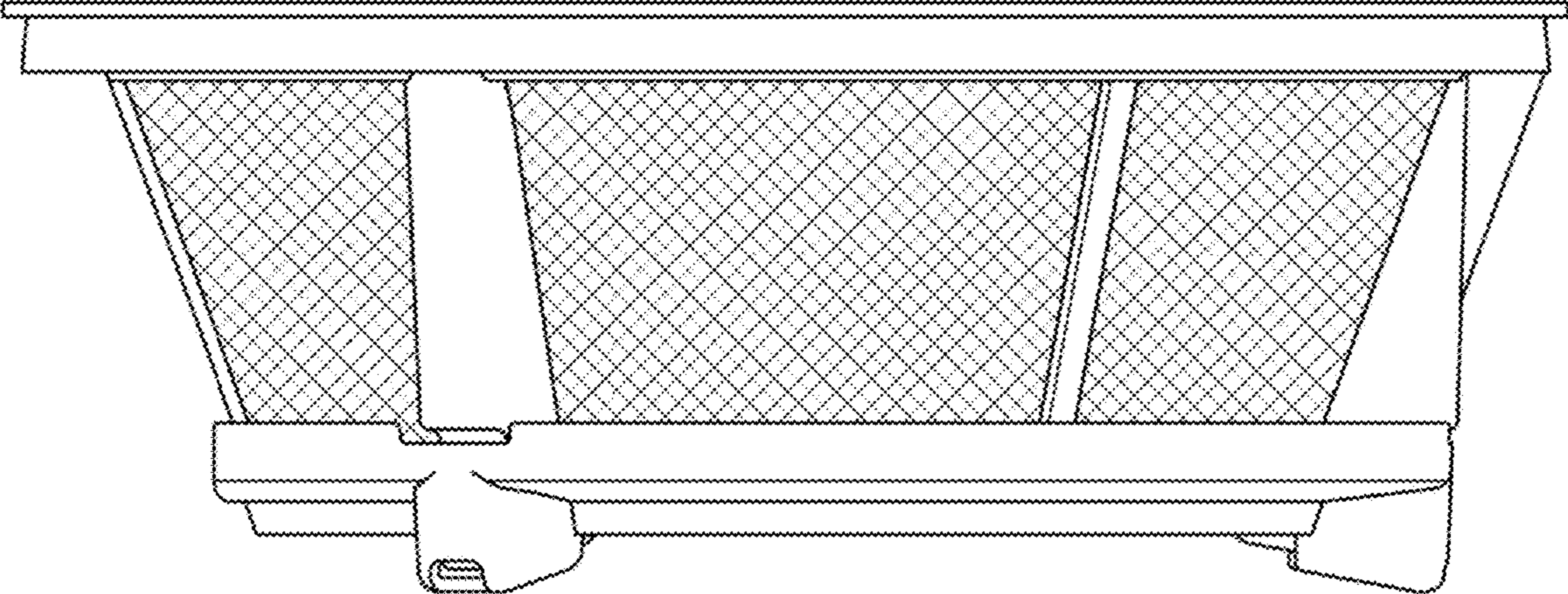
1.3



1.4

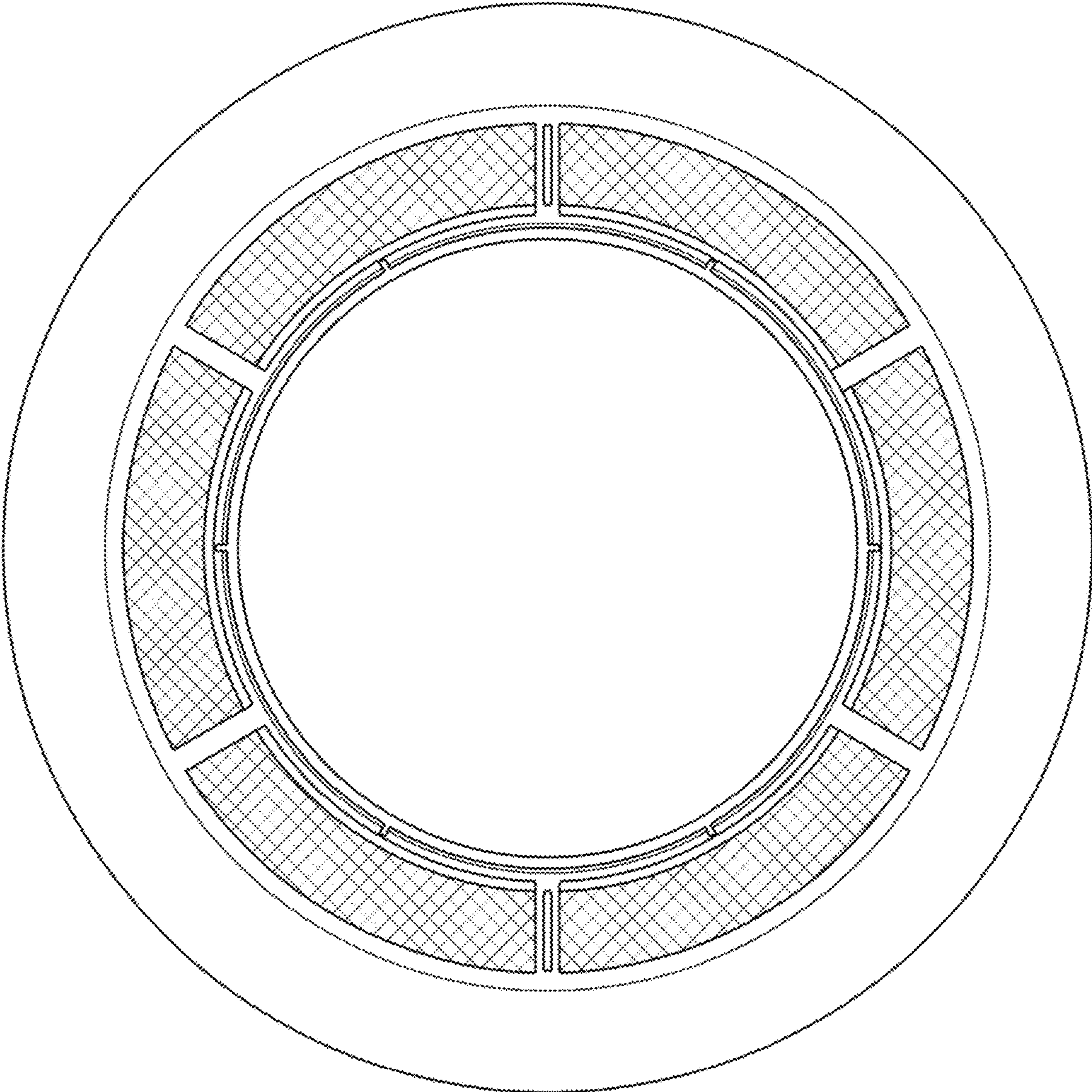


1.5





1.6



1.7

