



US00D824007S

(12) **United States Design Patent** (10) **Patent No.:** **US D824,007 S**
Kergoet (45) **Date of Patent:** **** Jul. 24, 2018**

- (54) **TOILET SEAT COVER**
- (71) Applicant: **KOHLER CO.**, Kohler, WI (US)
- (72) Inventor: **Francois Kergoet**, Malakoff (FR)
- (73) Assignee: **KOHLER CO.**, Kohler, WI (US)
- (**) Term: **15 Years**
- (21) Appl. No.: **29/625,291**
- (22) Filed: **Nov. 8, 2017**

Related U.S. Application Data

- (62) Division of application No. 29/576,678, filed on Sep. 6, 2016, now Pat. No. Des. 812,728.

Foreign Application Priority Data

Mar. 9, 2016 (EM) 003021922

- (51) **LOC (11) Cl.** **23-02**
- (52) **U.S. Cl.**
USPC **D23/311**
- (58) **Field of Classification Search**
USPC D23/295-301, 303, 309, 311, 313
CPC A47K 11/02; A47K 11/026; A47K 11/00;
A47K 13/00; E03D 11/18; E03D 5/10;
E03D 13/00
See application file for complete search history.

References Cited

U.S. PATENT DOCUMENTS

- 723,973 A * 3/1903 Alexander A47K 13/00
16/352
- D337,376 S 7/1993 Ragonot
- D449,674 S * 10/2001 Otte D23/311
- D455,477 S 4/2002 Soulier
- D508,984 S 8/2005 Gordon
- D536,428 S 2/2007 Kohler, Jr.

- D536,771 S 2/2007 Chensesseau
- D538,410 S 3/2007 Chensesseau
- D557,392 S * 12/2007 Mukai D23/311
- D594,944 S * 6/2009 Starck D23/301
- D600,333 S * 9/2009 Liu D23/295
- D600,335 S * 9/2009 Cleppe D23/311
- D601,233 S 9/2009 Kergoet
- D624,997 S 10/2010 Schonherr
- D637,702 S 5/2011 Rexach
- D659,811 S 5/2012 Licini
- D667,940 S 9/2012 Licini
- 8,296,870 B2 * 10/2012 Kannengiesser A47K 13/00
4/234
- D694,378 S 11/2013 Bates
- D694,379 S 11/2013 Bates
- D695,384 S 12/2013 Bates
- D700,686 S 3/2014 Spangler
- D702,819 S 4/2014 Garland
- D770,020 S 10/2016 Lilly

(Continued)

Primary Examiner — Brandon M Rosati

Assistant Examiner — John A Voytek

(74) *Attorney, Agent, or Firm* — Foley & Lardner LLP

(57) **CLAIM**

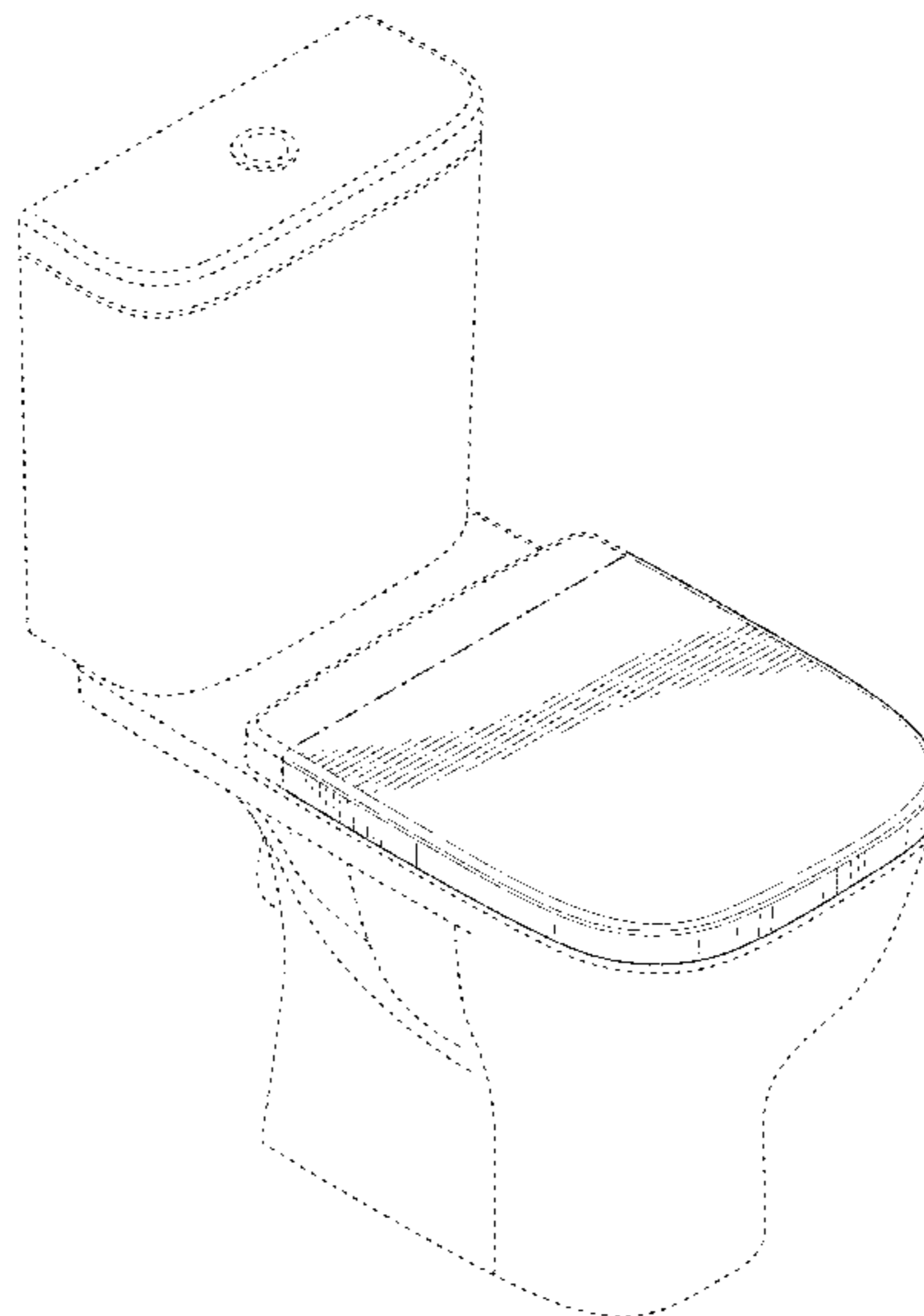
I claim the ornamental design for a toilet seat cover, as shown and described.

DESCRIPTION

FIG. 1 is a perspective view of a toilet seat cover;
 FIG. 2 is a right side elevation view thereof;
 FIG. 3 is a left side elevation view thereof;
 FIG. 4 is a front elevation view thereof;
 FIG. 5 is a rear elevation view thereof;
 FIG. 6 is a top plan view thereof; and,
 FIG. 7 is a bottom plan view thereof.

In the drawings, the broken lines depict environmental subject matter only and form no part of the claimed design. The dot and dashed lines indicate a boundary between the claimed and unclaimed portion of the design.

1 Claim, 7 Drawing Sheets



(56)

References Cited

U.S. PATENT DOCUMENTS

D799,011 S *	10/2017	Stevenson	D23/311
D809,636 S *	2/2018	Dong	D23/311
D811,563 S *	2/2018	L'Henaff	D23/301
2008/0201835 A1 *	8/2008	Ueno	E03D 5/094 4/410

* cited by examiner

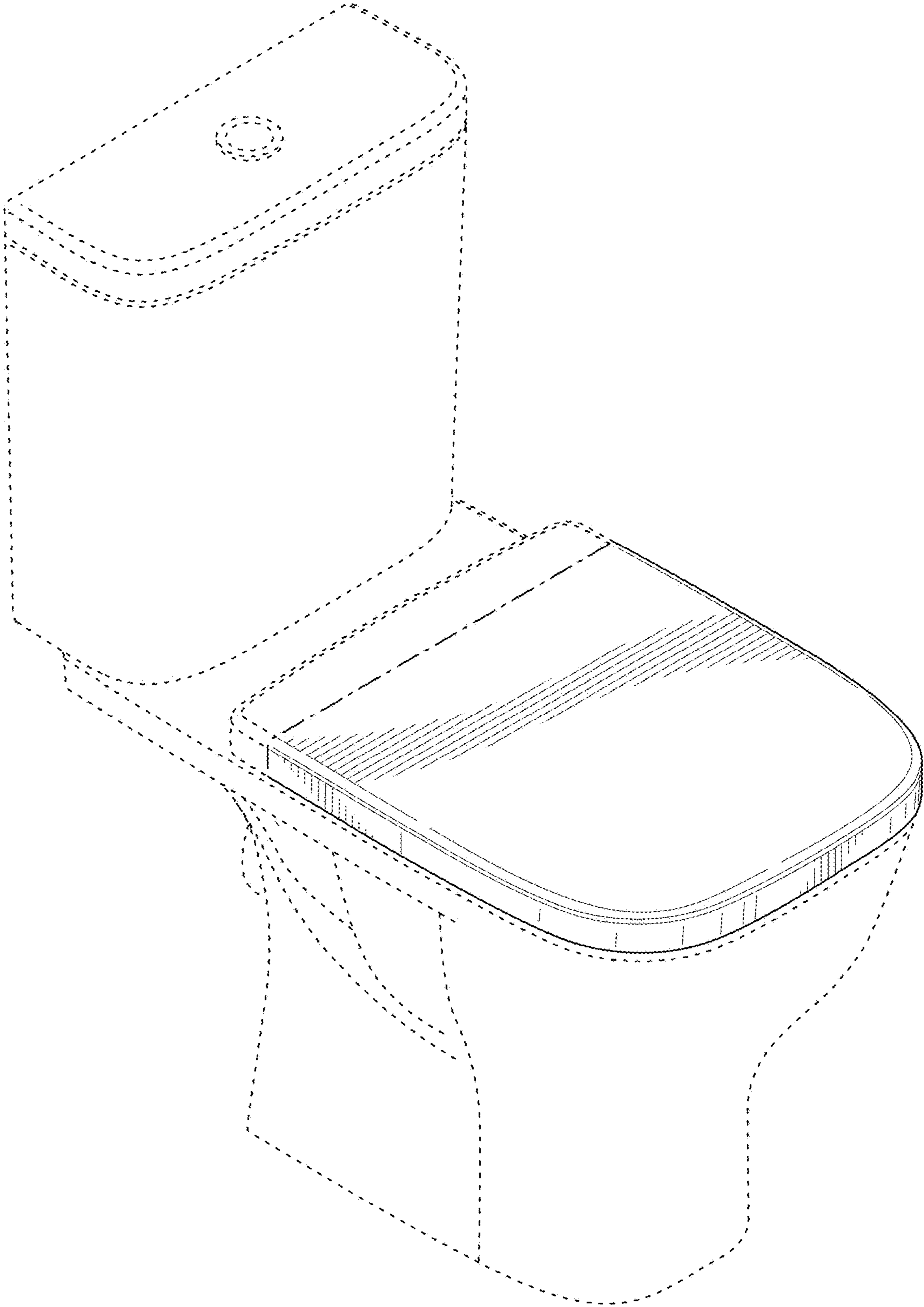


FIG. 1

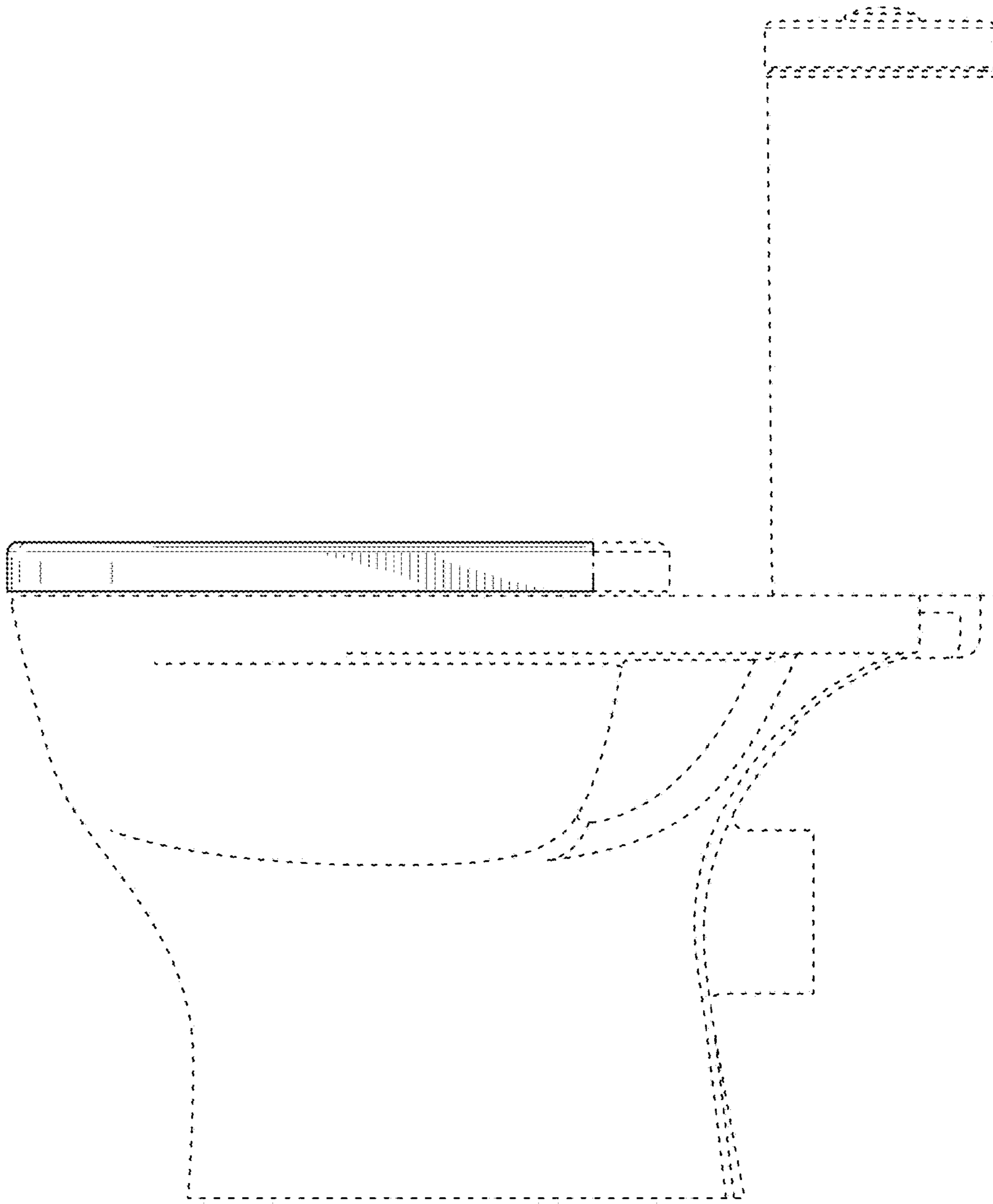


FIG. 2

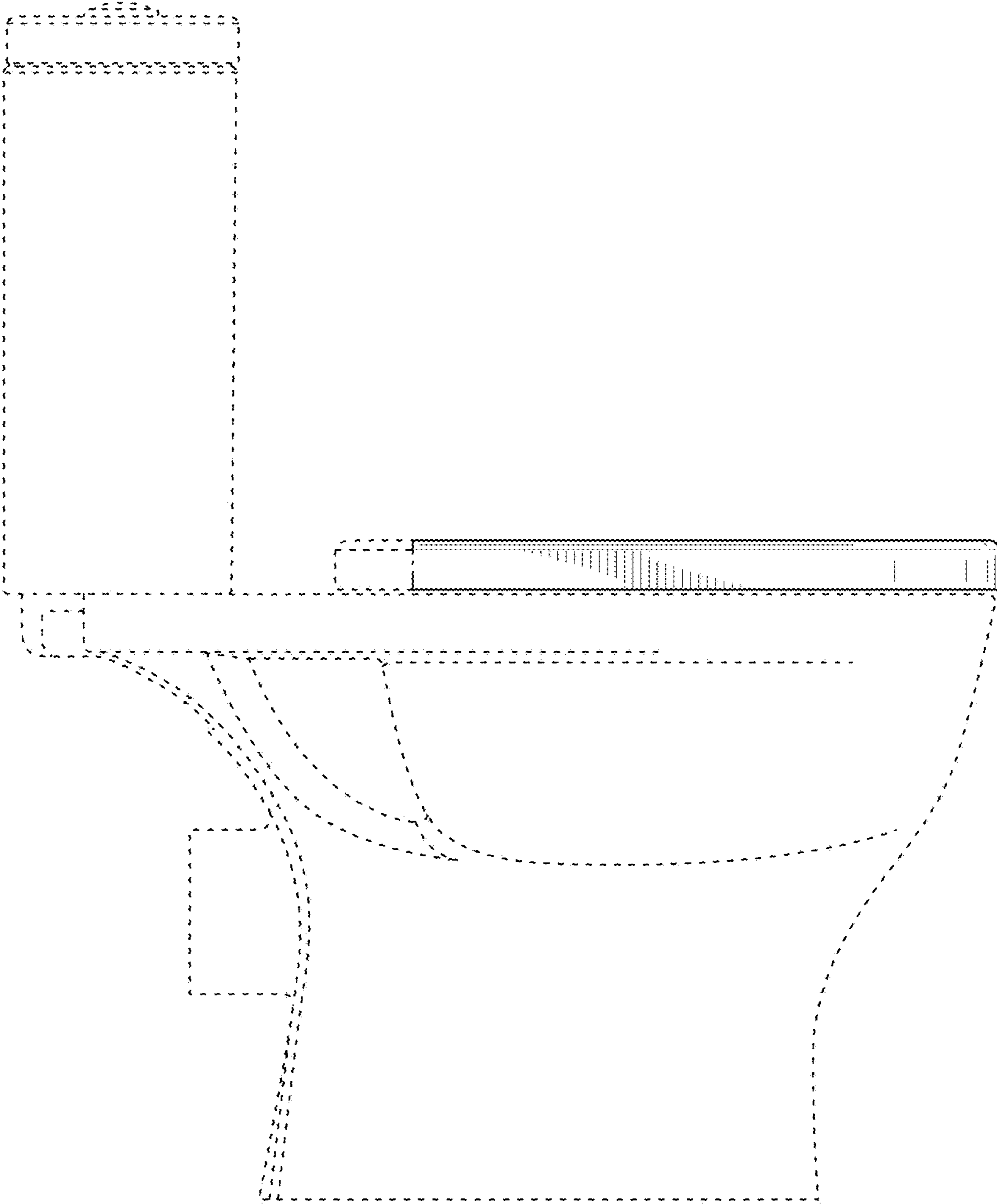


FIG. 3

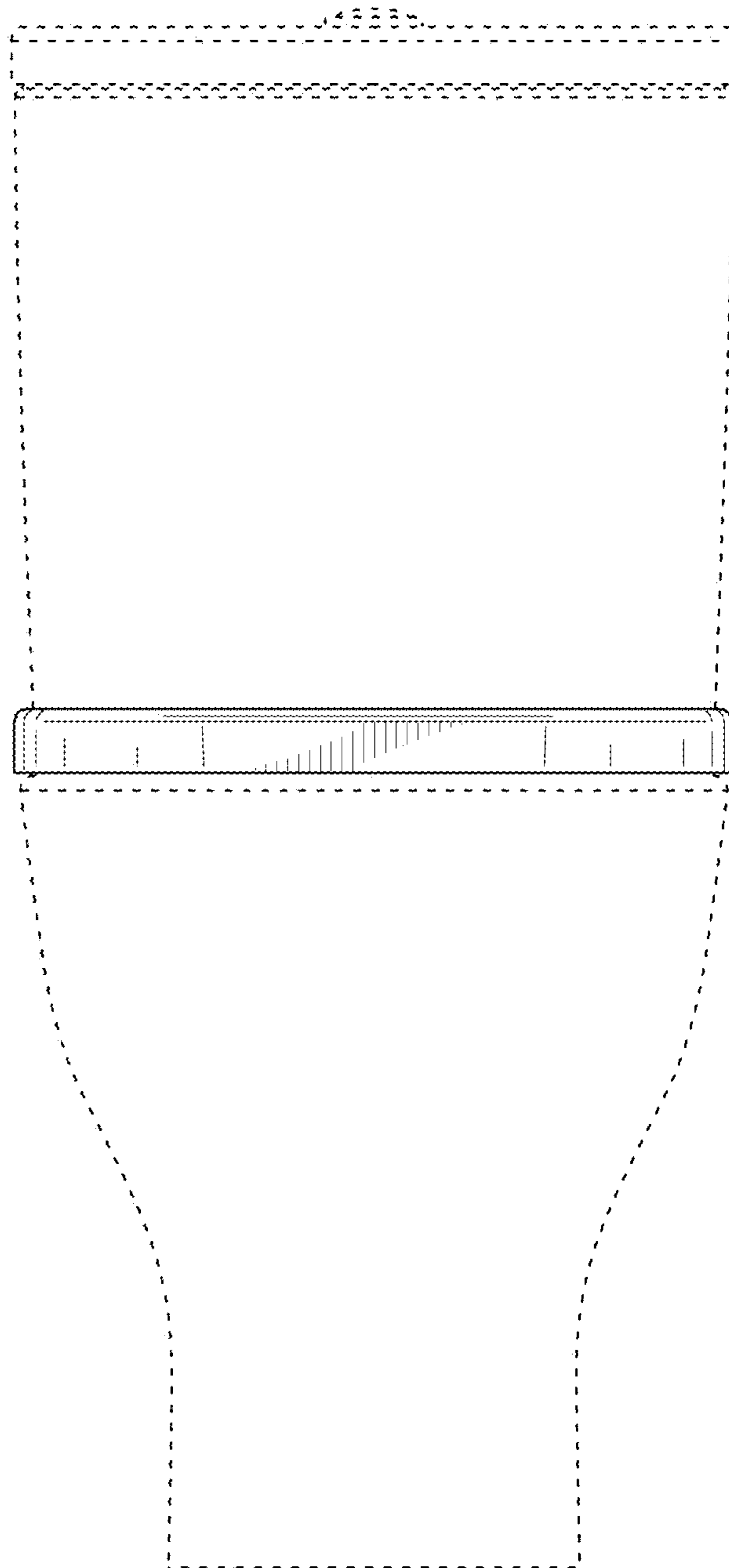


FIG. 4

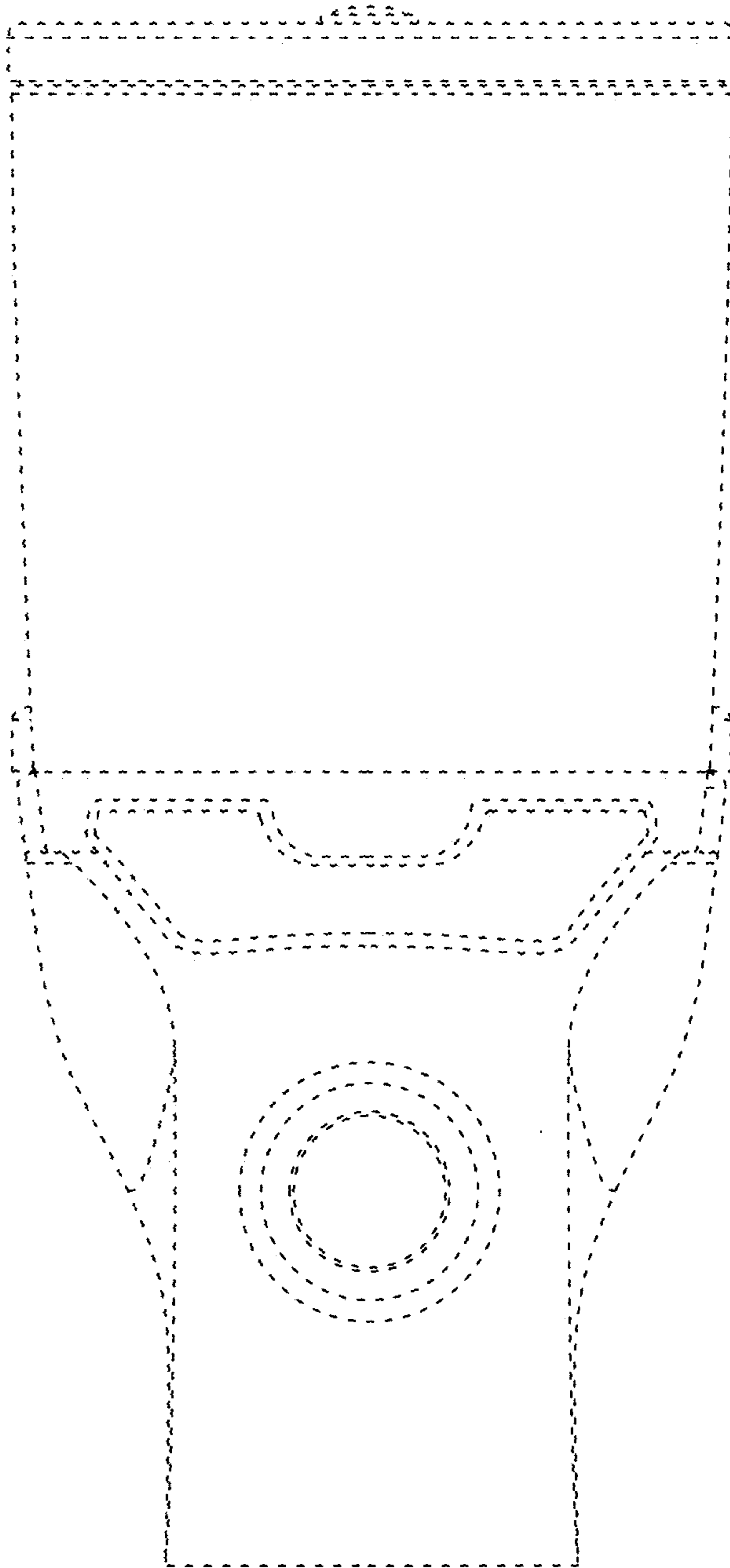


FIG. 5

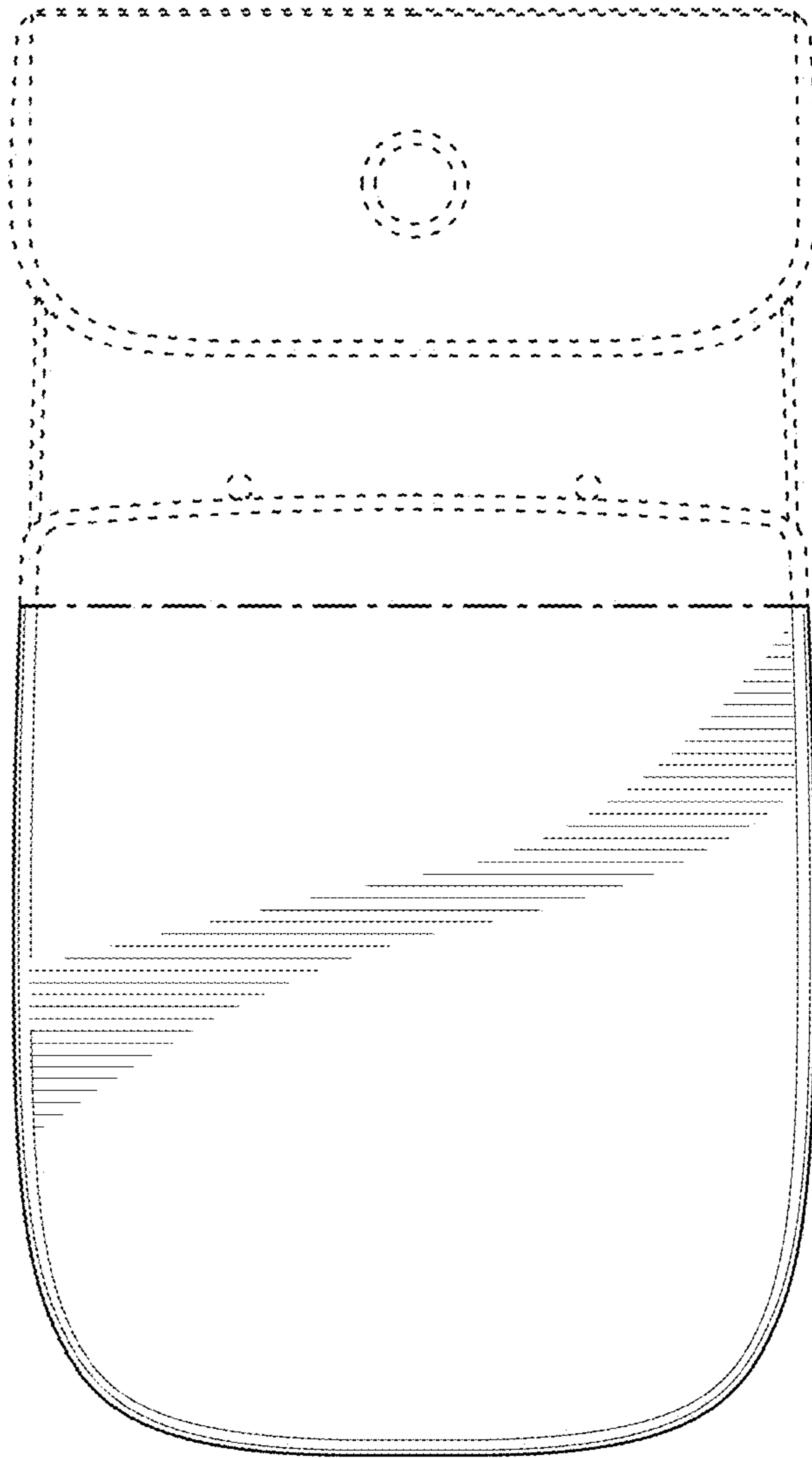


FIG. 6

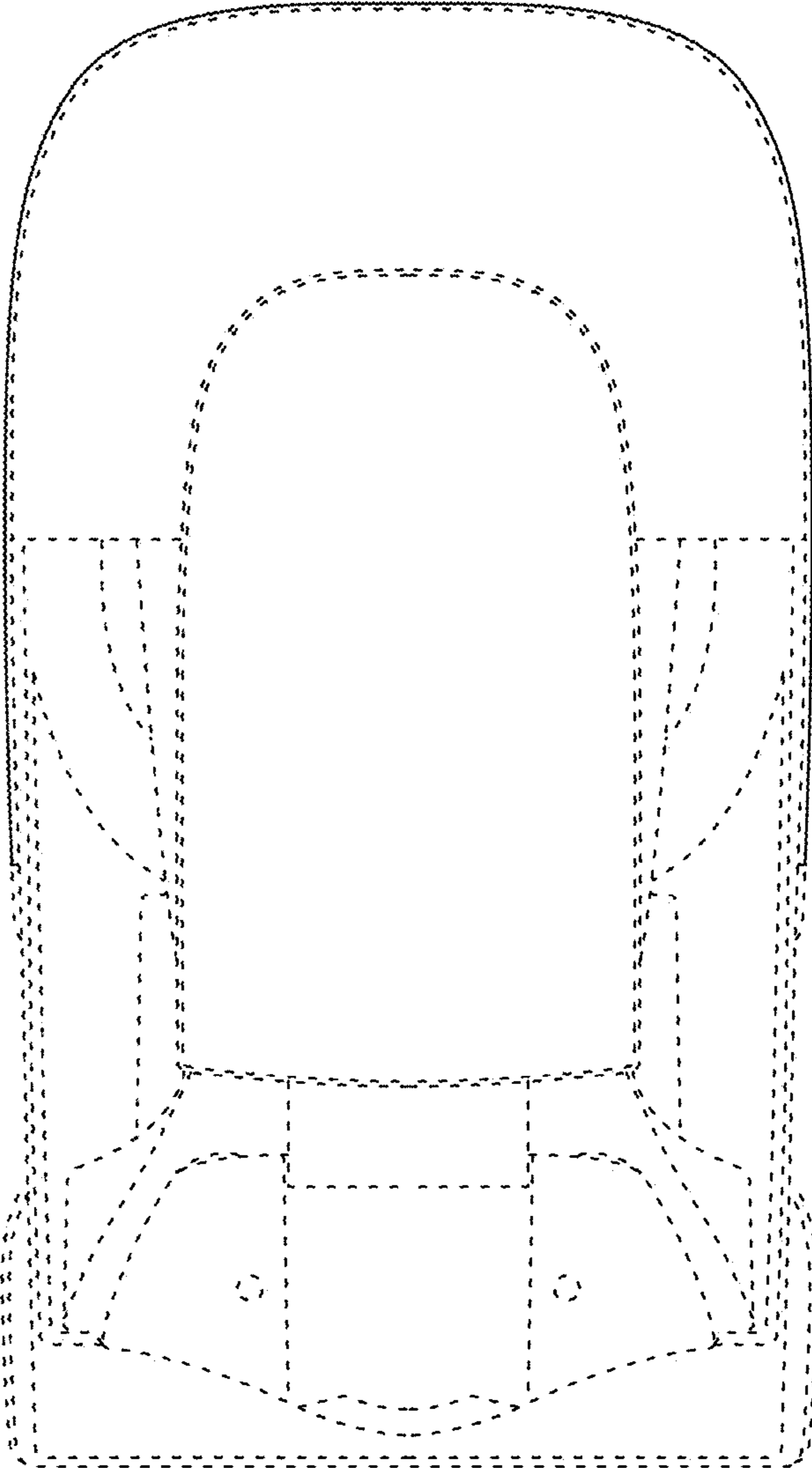


FIG. 7