



US00D824006S

(12) **United States Design Patent** (10) **Patent No.:** **US D824,006 S**
Goad (45) **Date of Patent:** **** Jul. 24, 2018**

(54) **TOILET**
(71) Applicant: **Kohler Co.**, Kohler, WI (US)
(72) Inventor: **Robin A. Goad**, Sheboygan, WI (US)
(73) Assignee: **KOHLER CO.**, Kohler, WI (US)
(**) Term: **15 Years**
(21) Appl. No.: **29/628,590**
(22) Filed: **Dec. 6, 2017**

D520,613 S * 5/2006 Soulier D23/295
D578,621 S 10/2008 Lee
D606,179 S 12/2009 Cummings
D621,011 S 8/2010 Bucher
D652,493 S * 1/2012 Bucher D23/301
D672,854 S 12/2012 Inoue
D697,599 S 1/2014 Bates et al.
D697,601 S 1/2014 Bates et al.
D702,331 S * 4/2014 Garland D23/295
D702,819 S 4/2014 Garland
D743,516 S 11/2015 Bates
D797,910 S * 9/2017 Garland D23/301
D806,842 S * 1/2018 Goad D23/301
2015/0219145 A1 * 8/2015 Lambert F16B 43/001
411/369

Related U.S. Application Data

(62) Division of application No. 29/570,489, filed on Jul. 8, 2016, now Pat. No. Des. 806,842.
(51) **LOC (11) Cl.** **23-02**
(52) **U.S. Cl.**
USPC **D23/309**; D23/295
(58) **Field of Classification Search**
USPC D23/295-301, 303, 309, 313
CPC A47K 11/02; A47K 11/026; A47K 11/00;
A47K 13/00; E03D 11/18; E03D 5/10;
E03D 13/00
See application file for complete search history.

* cited by examiner

Primary Examiner — Brandon M Rosati
Assistant Examiner — John A Voytek
(74) *Attorney, Agent, or Firm* — Foley & Lardner LLP

(57) **CLAIM**

I claim the ornamental design for a toilet, as shown and described.

DESCRIPTION

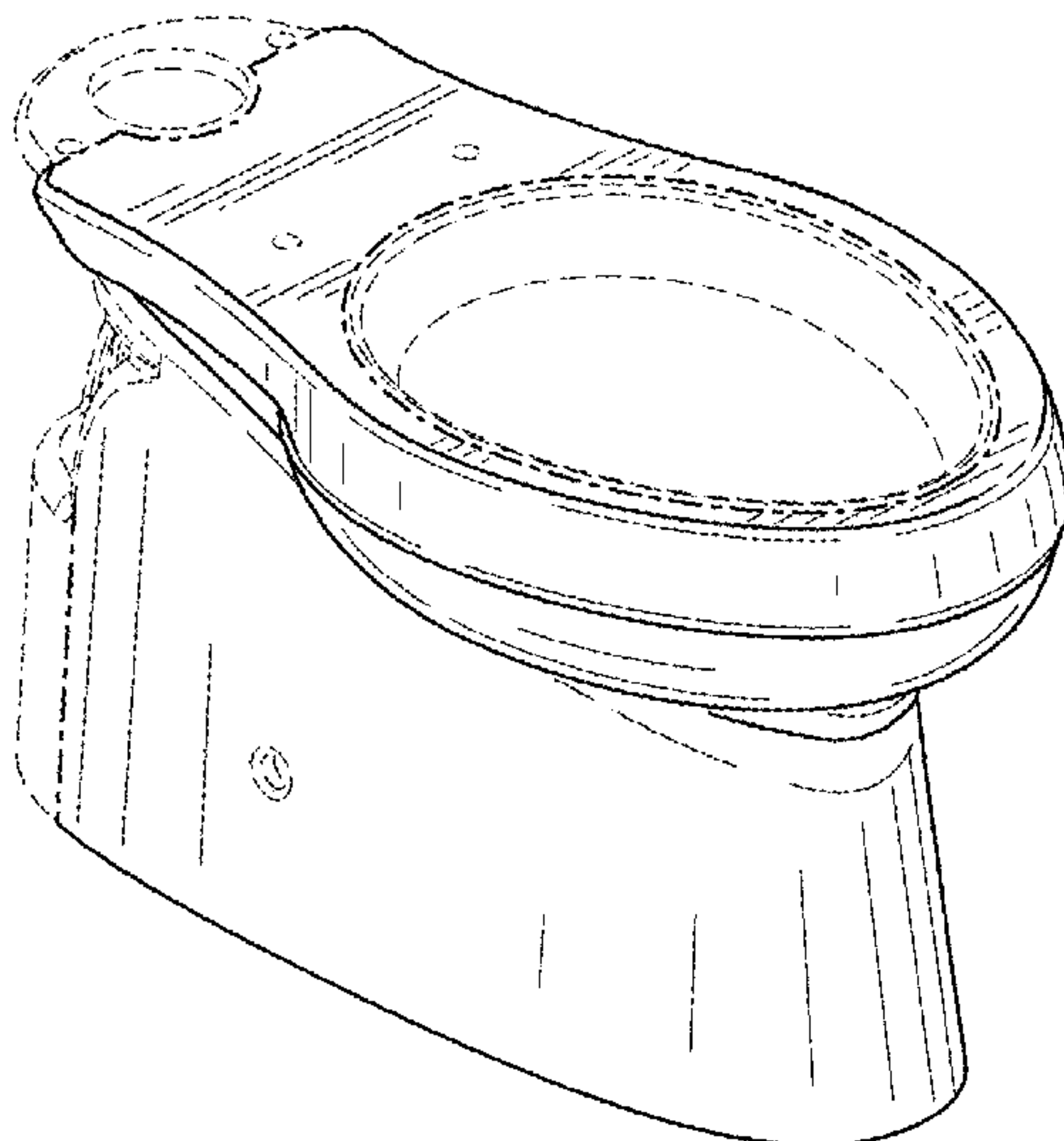
FIG. 1 is a perspective view of a toilet;
FIG. 2 is a side view of the toilet shown in FIG. 1;
FIG. 3 is another side view of the toilet shown in FIG. 1;
FIG. 4 is a front view of the toilet shown in FIG. 1;
FIG. 5 is rear view of the toilet shown in FIG. 1;
FIG. 6 is a top view of the toilet shown in FIG. 1; and,
FIG. 7 is a bottom view of the toilet shown in FIG. 1.
The ornamental design that is claimed is shown in the drawings as solid lines and surfaces having surface shading. In the drawings, the broken lines depict environmental subject matter only and form no part of the claimed design. The dot and dashed lines indicate a boundary between the claimed and unclaimed portion of the design.

(56) **References Cited**

U.S. PATENT DOCUMENTS

D355,711 S * 2/1995 Nagato D23/300
D430,927 S 9/2000 Tani
D437,634 S 2/2001 Hundley
D437,920 S 2/2001 Marshall
D465,272 S 11/2002 Gordon
D476,401 S * 6/2003 Singla Palacin D23/295
D483,448 S 12/2003 Ruxchaivan
D496,442 S 9/2004 Bates
D496,443 S 9/2004 Bates
D507,335 S 7/2005 Gordon
D514,208 S 1/2006 Gordon

1 Claim, 5 Drawing Sheets



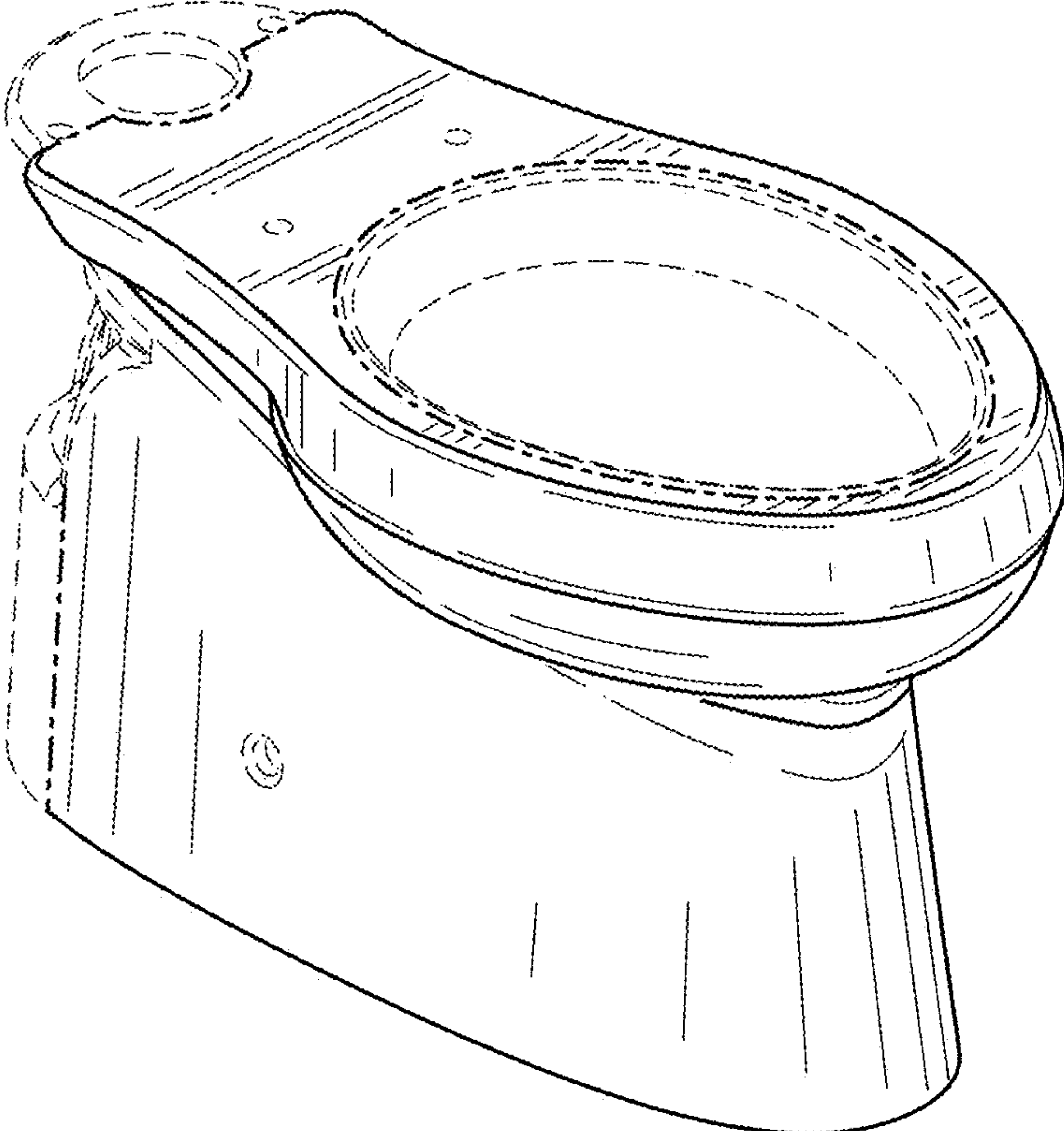


FIG. 1

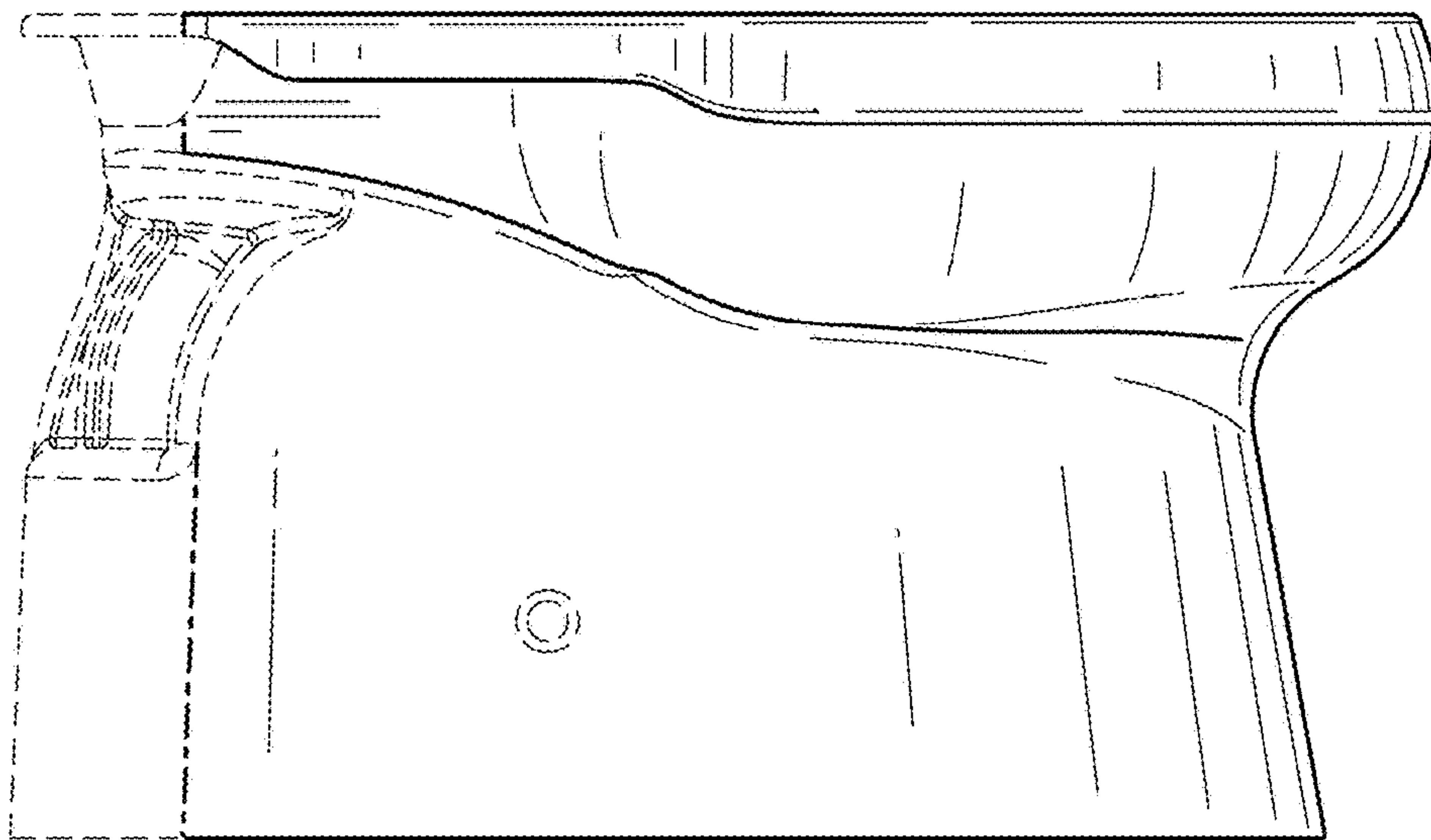


FIG. 2

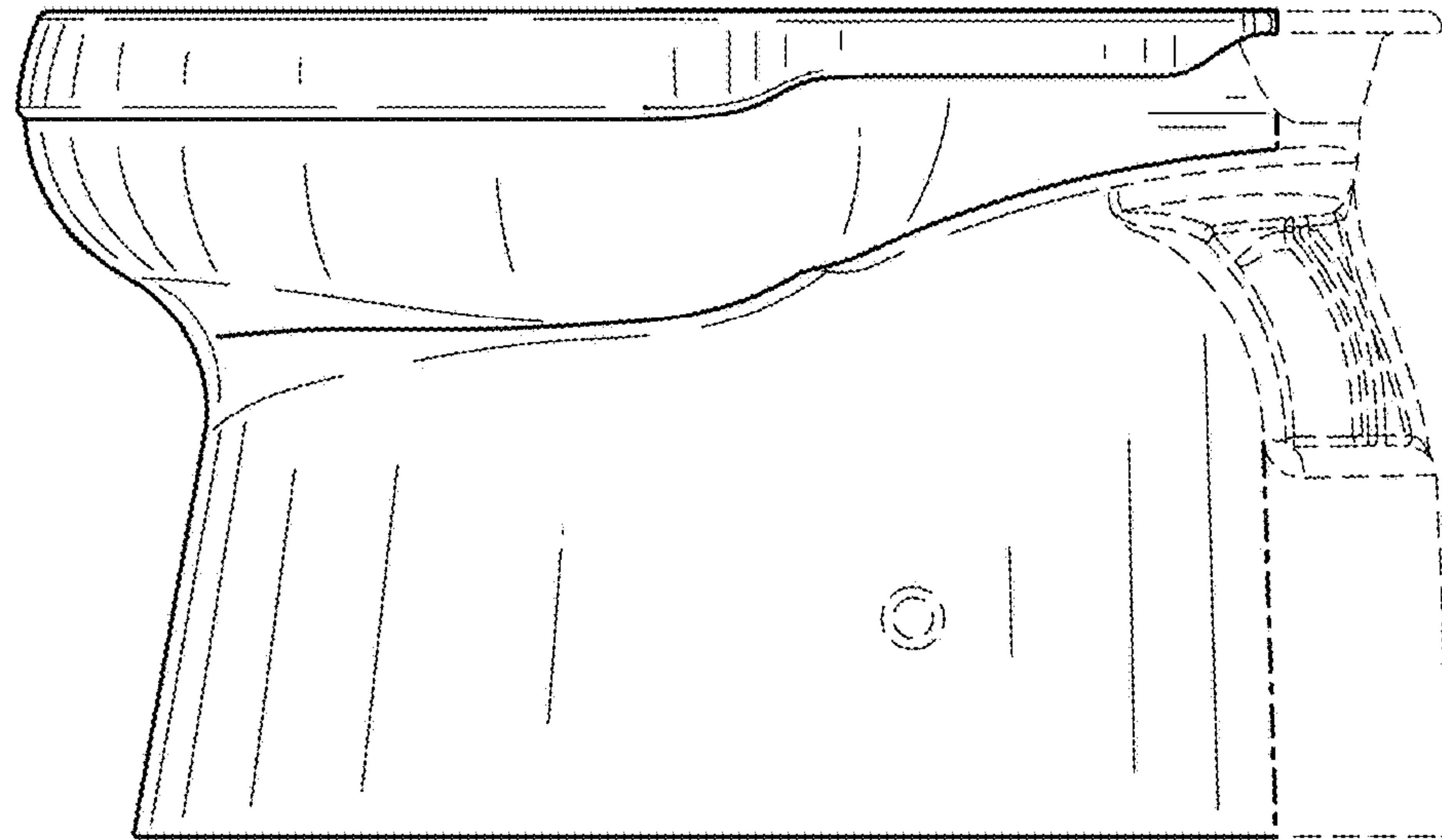


FIG. 3

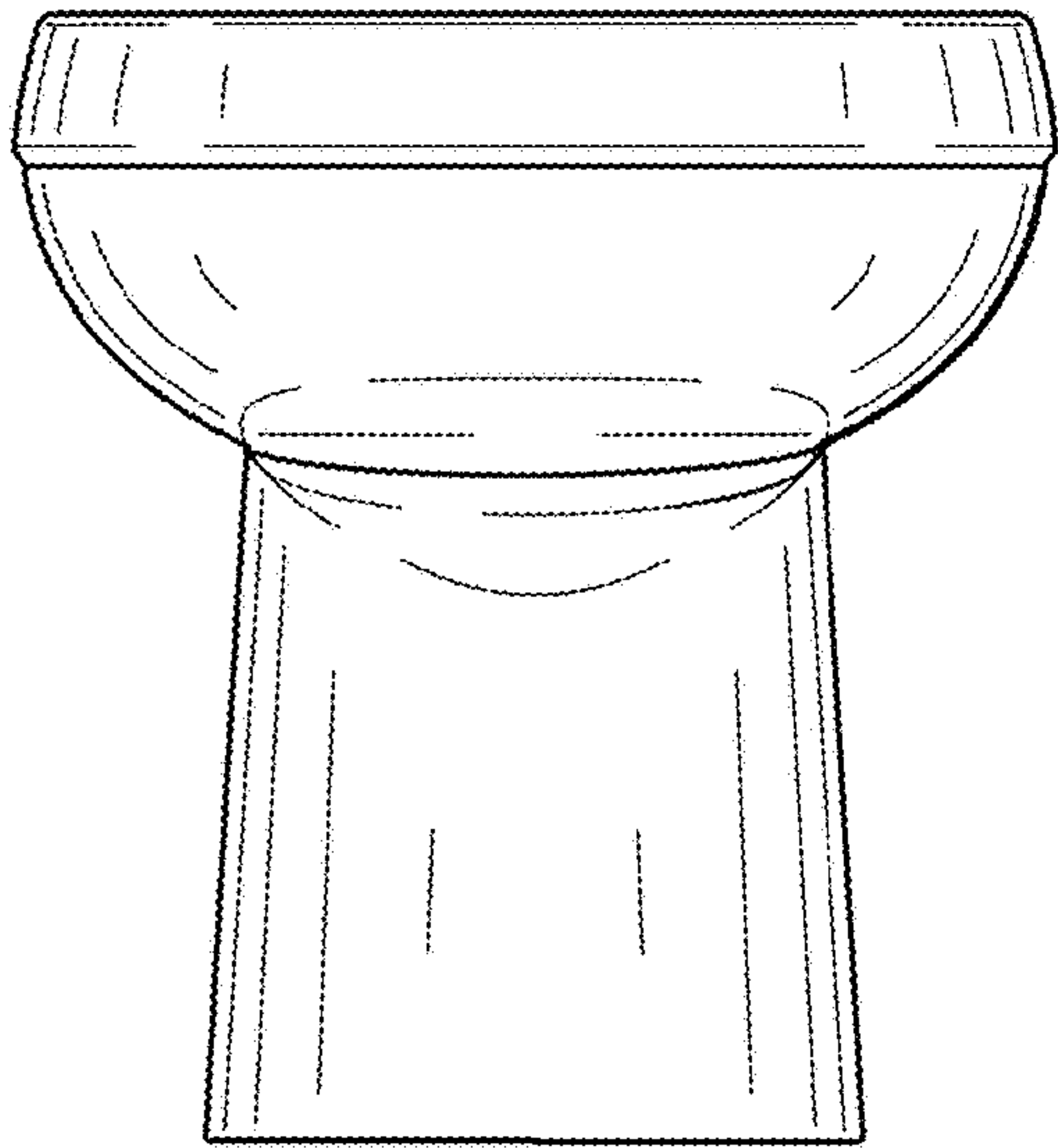


FIG. 4

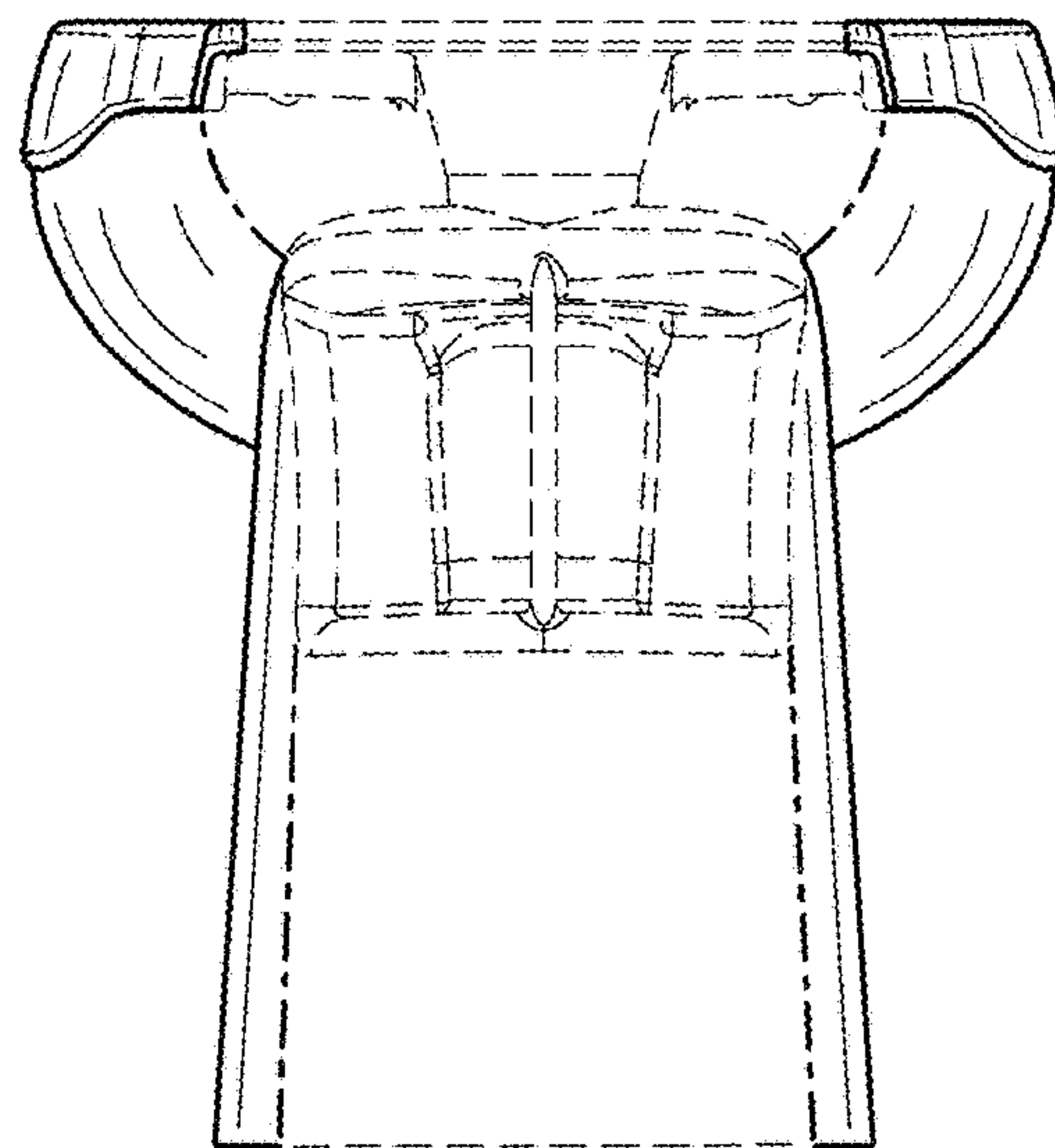


FIG. 5

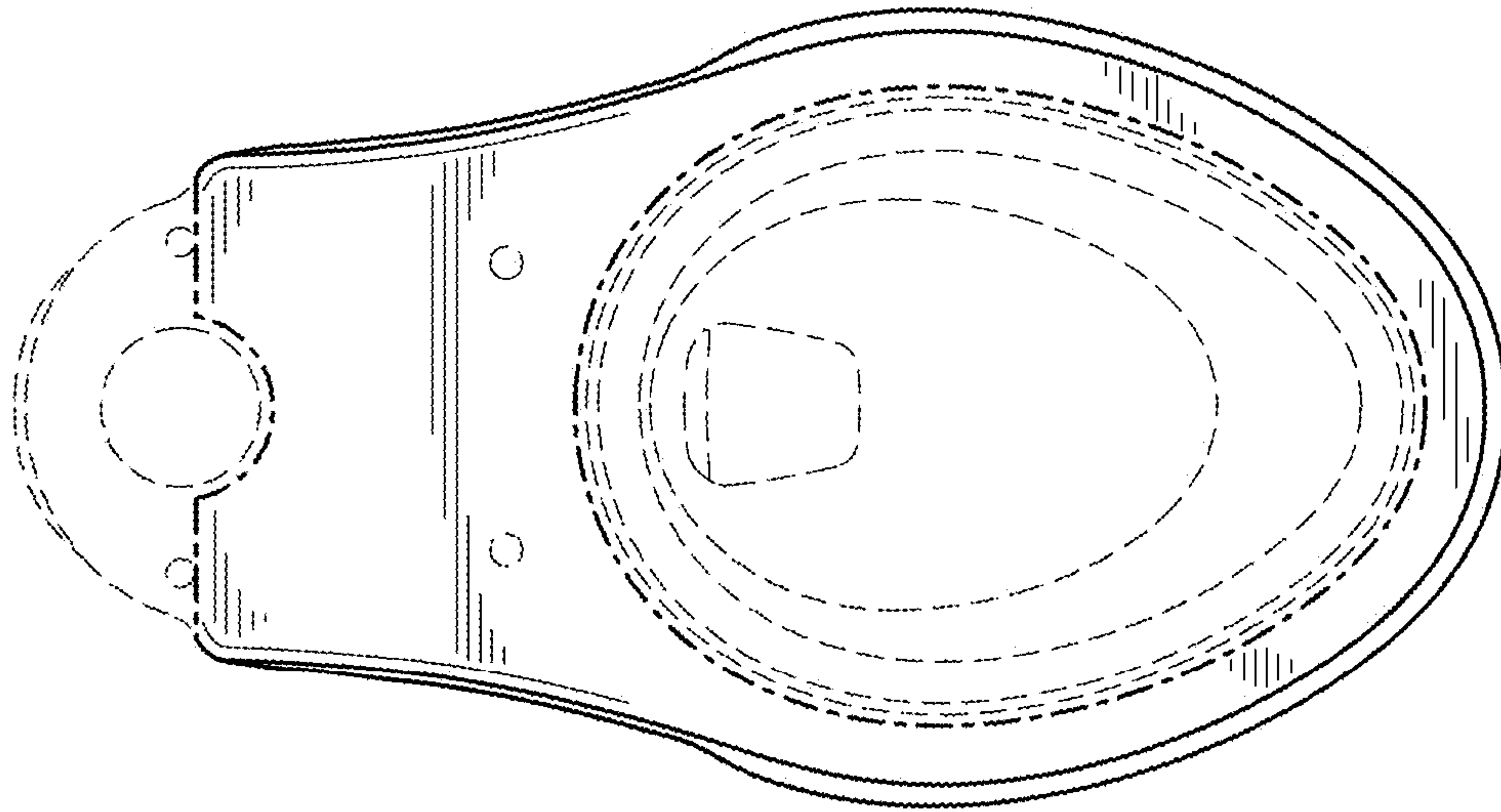


FIG. 6

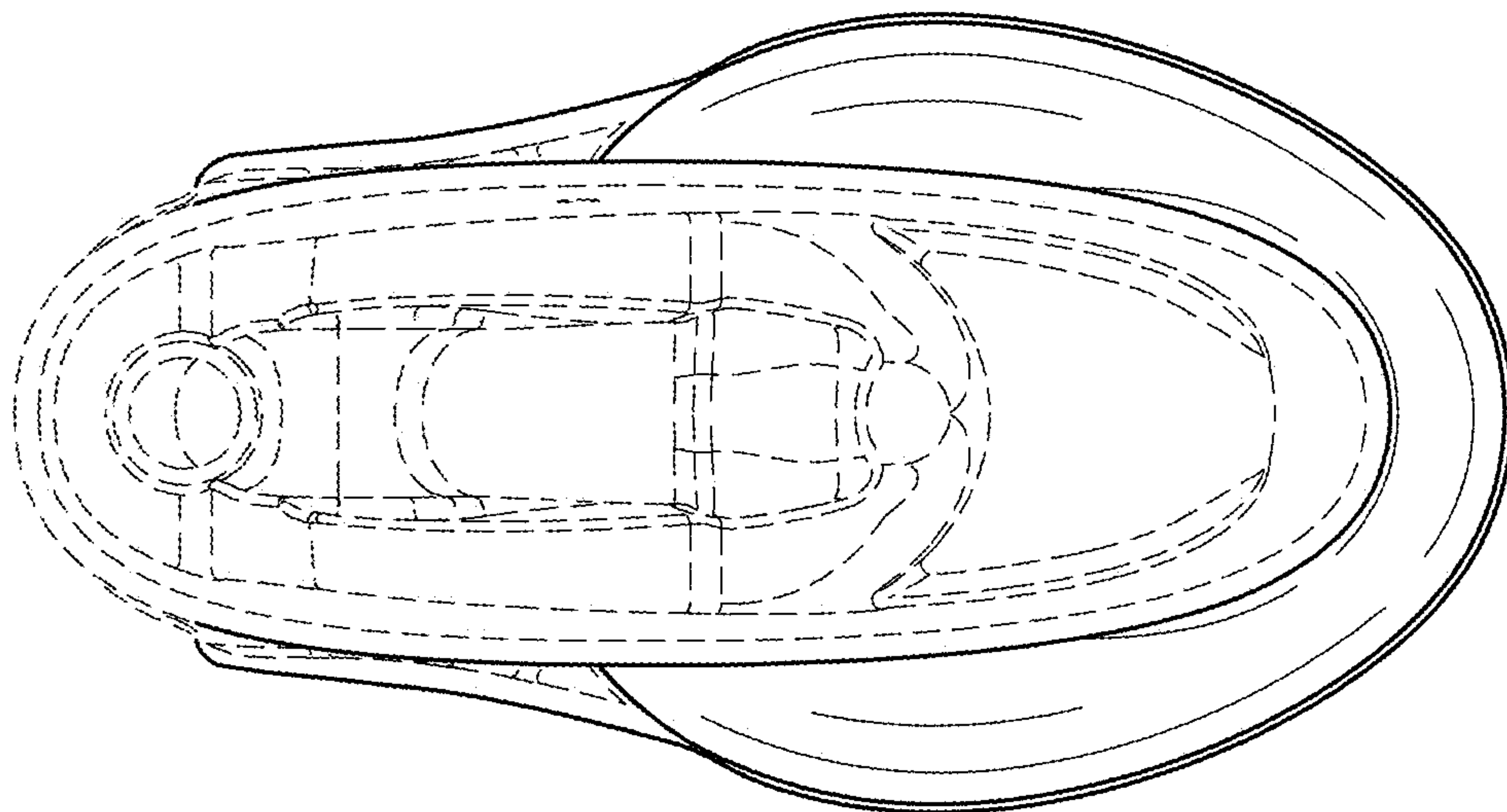


FIG. 7