



US00D824003S

(12) **United States Design Patent** (10) **Patent No.:** **US D824,003 S**
Stevenson et al. (45) **Date of Patent:** **** Jul. 24, 2018**

(54) **LAVATORY**
(71) Applicant: **Kohler Mira Limited**, Gloucestershire (GB)
(72) Inventors: **Robert Karl Stevenson**, London (GB); **Alexander Muspratt-Williams**, London (GB)
(73) Assignee: **KOHLER MIRA LIMITED** (GB)
(**) Term: **15 Years**
(21) Appl. No.: **29/626,944**
(22) Filed: **Nov. 21, 2017**

D509,887 S 9/2005 Sutopo
D538,410 S 3/2007 Chensesseau
D540,442 S 4/2007 Kohler, Jr.
D588,239 S 3/2009 Slothower
D598,990 S 8/2009 Duringer
D599,448 S 9/2009 Duringer
D632,766 S 2/2011 Matsuura
D634,409 S 3/2011 Palomba
D634,410 S 3/2011 Palomba
D645,125 S 9/2011 Palomba
D659,811 S 5/2012 Licini

(Continued)

Primary Examiner — Brandon M Rosati
Assistant Examiner — John A Voytek
(74) *Attorney, Agent, or Firm* — Foley & Lardner LLP

Related U.S. Application Data

(62) Division of application No. 29/566,253, filed on May 27, 2016, now Pat. No. Des. 806,839.
(51) **LOC (11) Cl.** **23-02**
(52) **U.S. Cl.**
USPC **D23/308**; D23/293.1
(58) **Field of Classification Search**
USPC D23/284–293.1, 303, 308
CPC A47K 1/04; A47B 77/06; A47J 47/20
See application file for complete search history.

(57) **CLAIM**

We claim the ornamental design for a lavatory, as shown and described.

DESCRIPTION

FIG. 1 is a perspective view of an embodiment of the claimed design;
FIG. 2 is a top view of the embodiment of FIG. 1;
FIG. 3 is a bottom view of the embodiment of FIG. 1;
FIG. 4 is a front view of the embodiment of FIG. 1;
FIG. 5 is a rear view of the embodiment of FIG. 1;
FIG. 6 is a side view of the embodiment of FIG. 1;
FIG. 7 is another side view of the embodiment of FIG. 1;
FIG. 8 is a cross-sectional view taken along line 8-8 in FIG. 2; and,
FIG. 9 is a cross-sectional view taken along line 9-9 in FIG. 2.

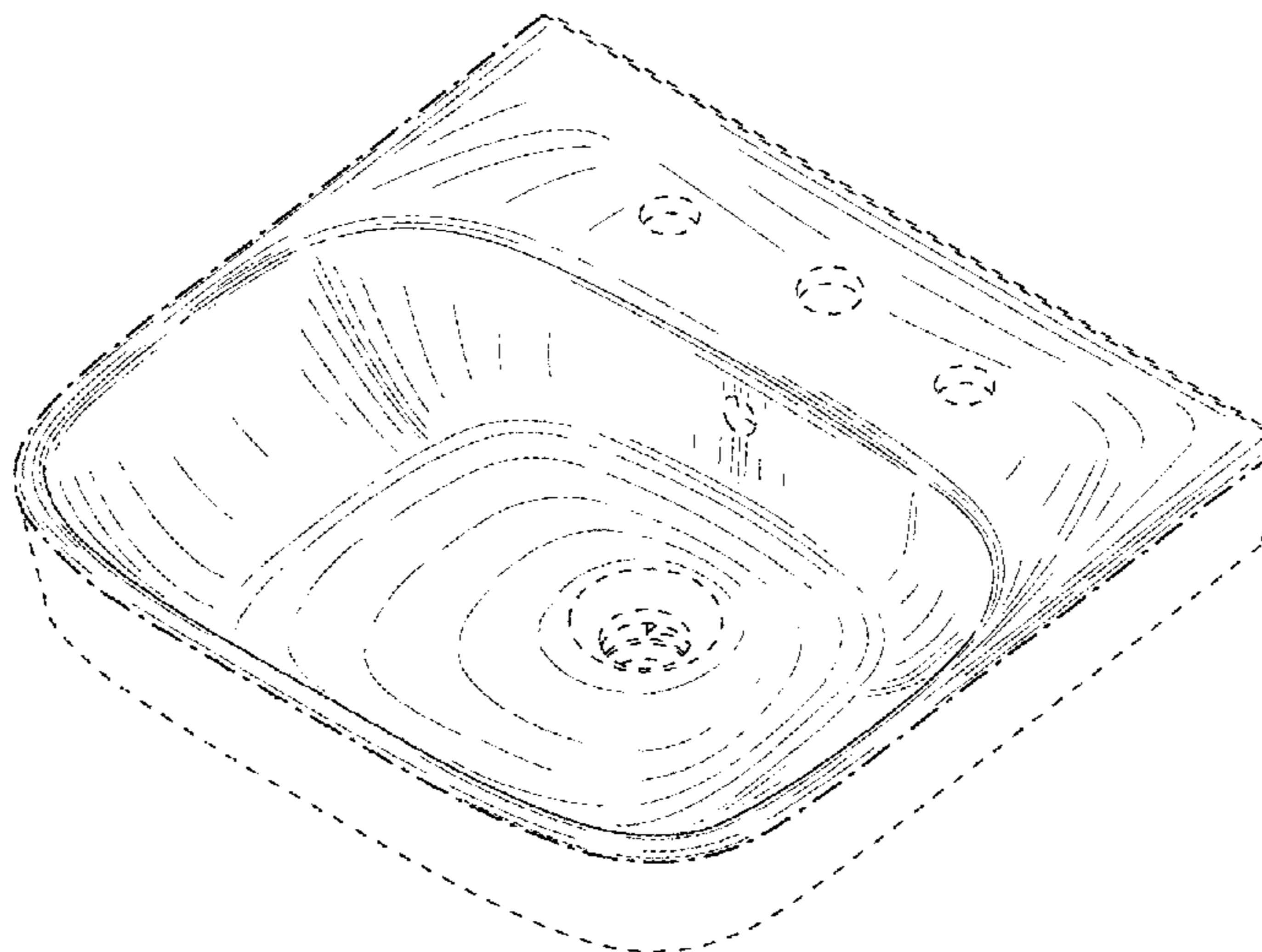
The ornamental design which is claimed is shown in solid lines in the drawings. The broken lines in the drawings form no part of the claimed design. Broken lines formed by equal length dashes show unclaimed subject matter. Broken lines formed of unequal length dashes (i.e., dash-dot) define bounds of the claimed design.

1 Claim, 6 Drawing Sheets

(56) **References Cited**

U.S. PATENT DOCUMENTS

D274,642 S 7/1984 Doman
D292,732 S 11/1987 Gates et al.
D293,930 S 1/1988 Reid
D295,669 S 5/1988 Kolada
D314,818 S 2/1991 Enthoven
D328,338 S 7/1992 Ragonot
D396,271 S 7/1998 Garza
D434,124 S * 11/2000 McKeone D23/284
D499,797 S 12/2004 Bates
D508,984 S 8/2005 Gordon
D509,574 S 9/2005 Sutopo



(56)

References Cited

U.S. PATENT DOCUMENTS

D667,940 S	9/2012	Licini	
D713,513 S *	9/2014	Chen	D23/284
D744,074 S	11/2015	Adkison	
D806,215 S *	12/2017	Stevenson	D23/293.1
D806,839 S *	1/2018	Stevenson	D23/293.1
D806,841 S *	1/2018	Stevenson	D23/293.1

* cited by examiner

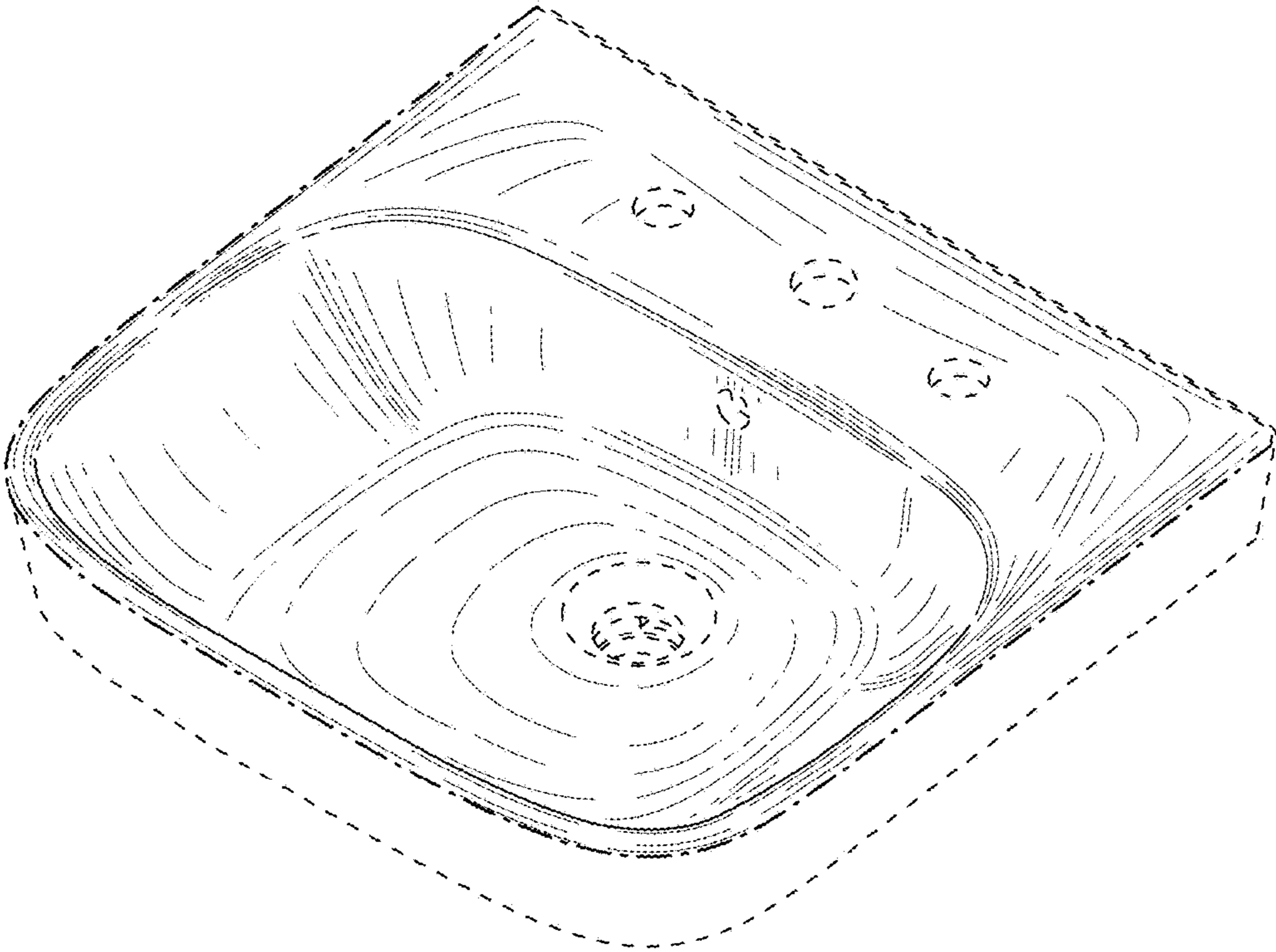


FIG. 1

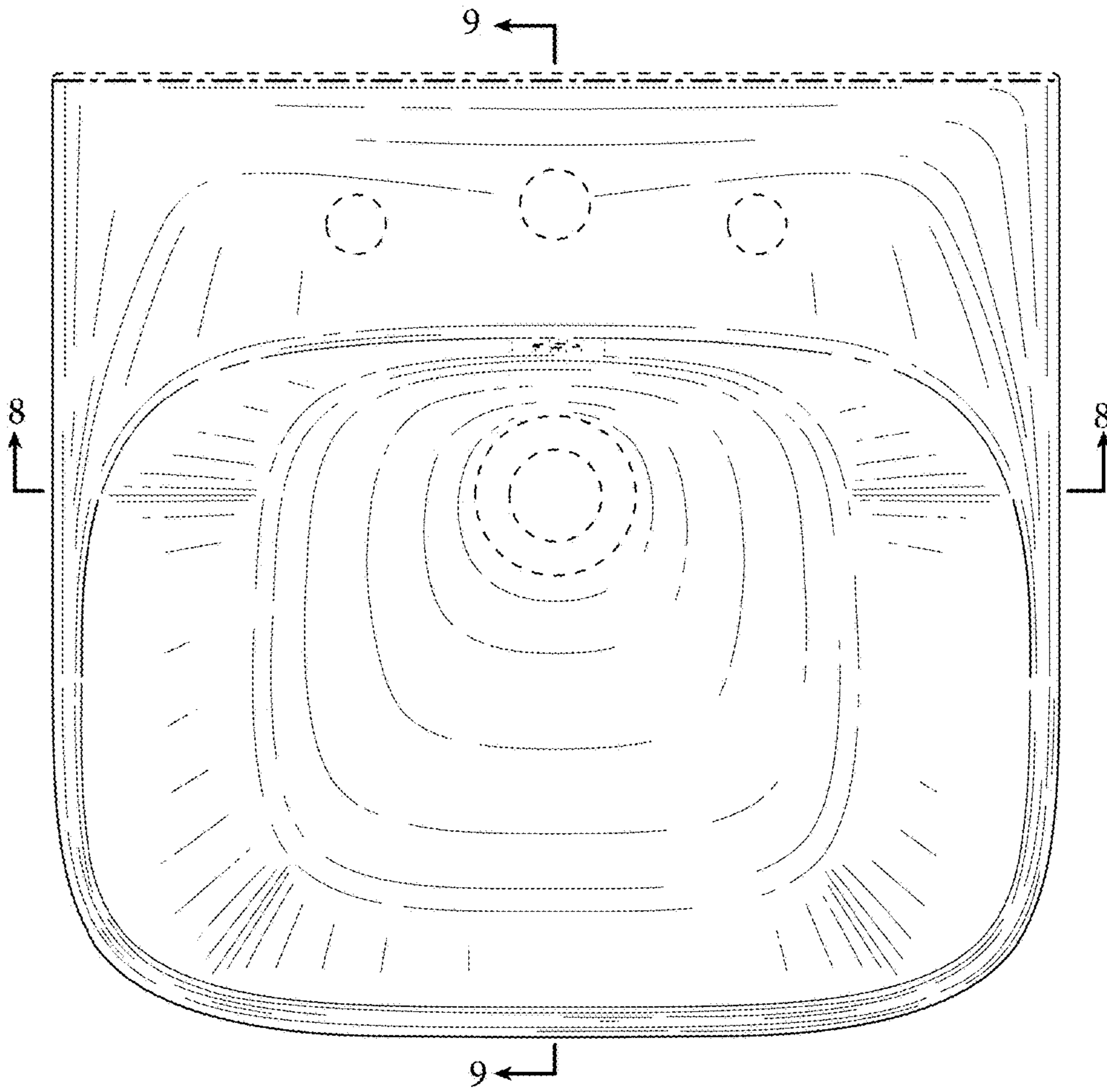


FIG. 2

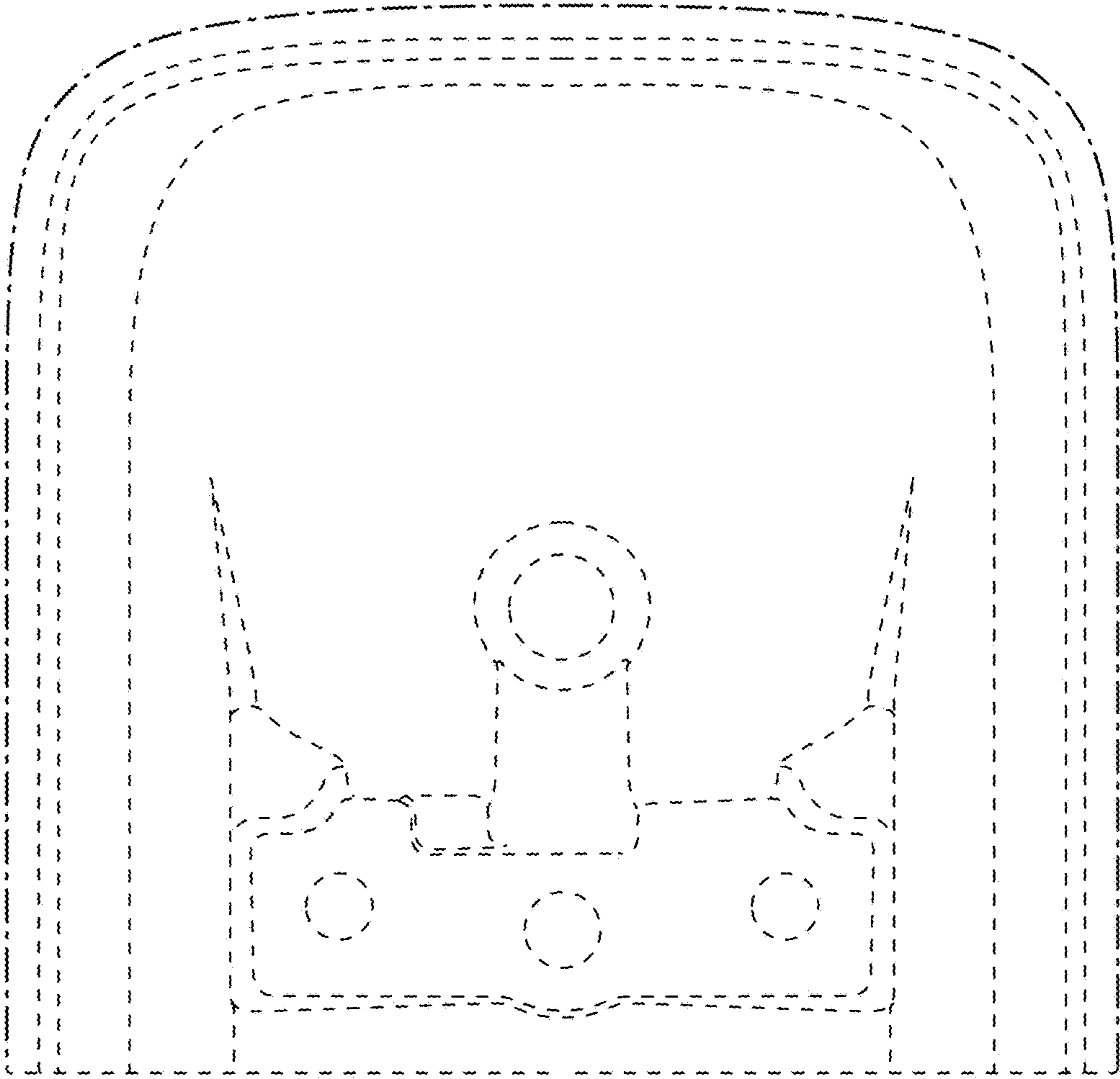


FIG. 3

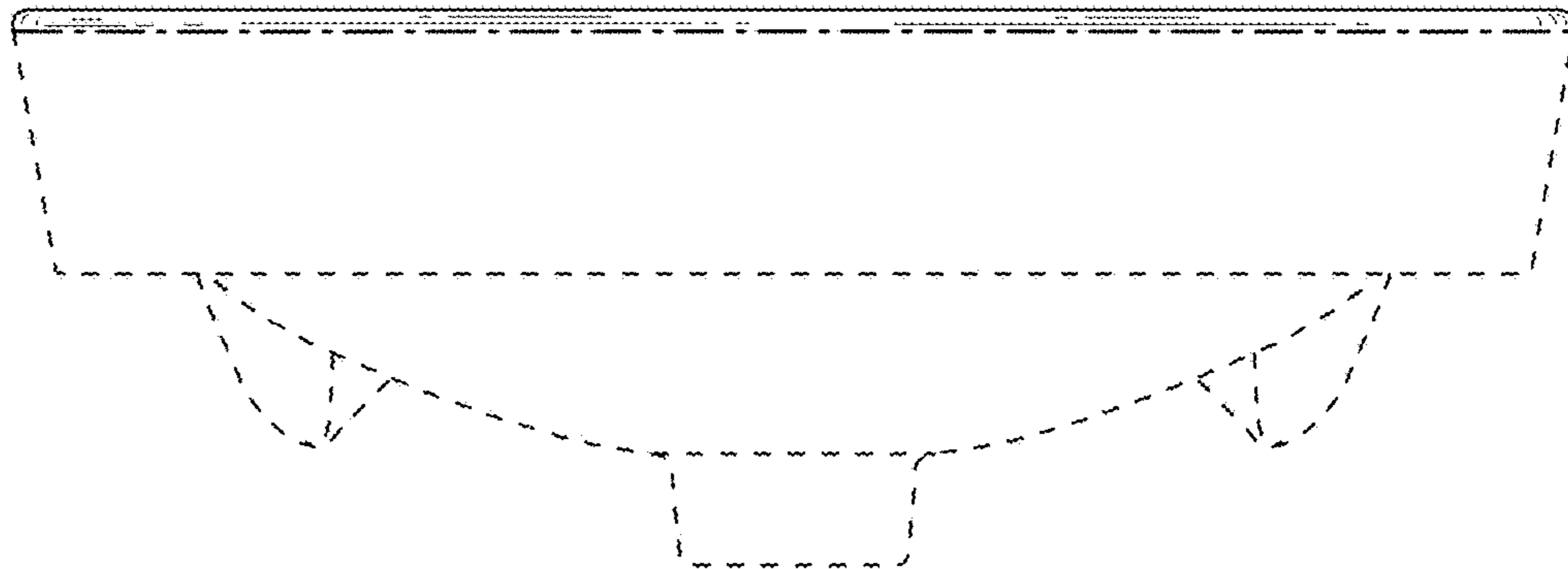


FIG. 4

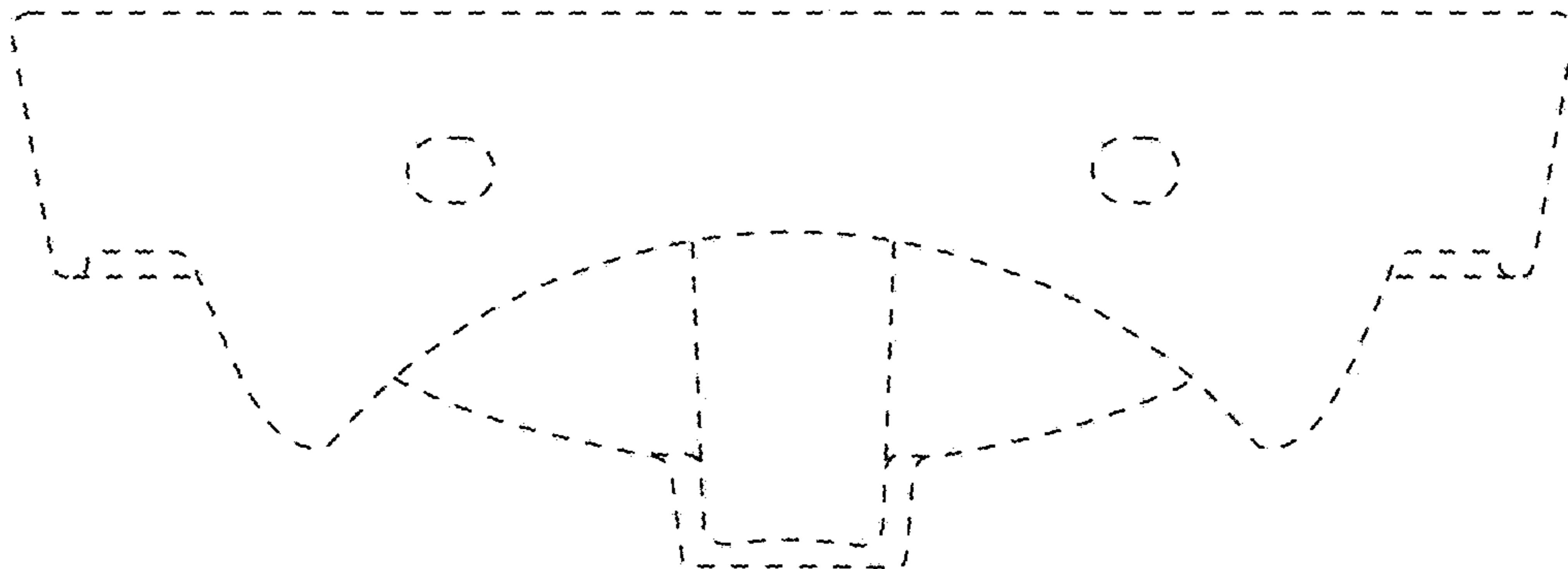


FIG. 5

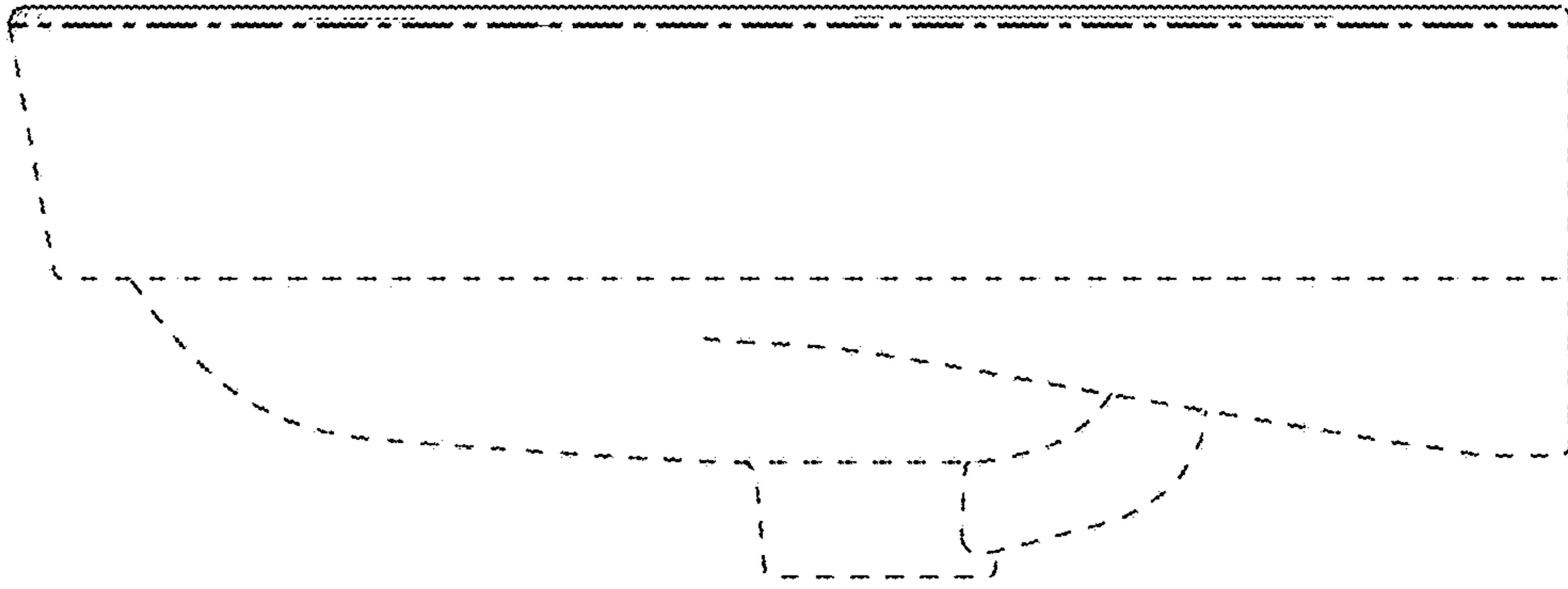


FIG. 6

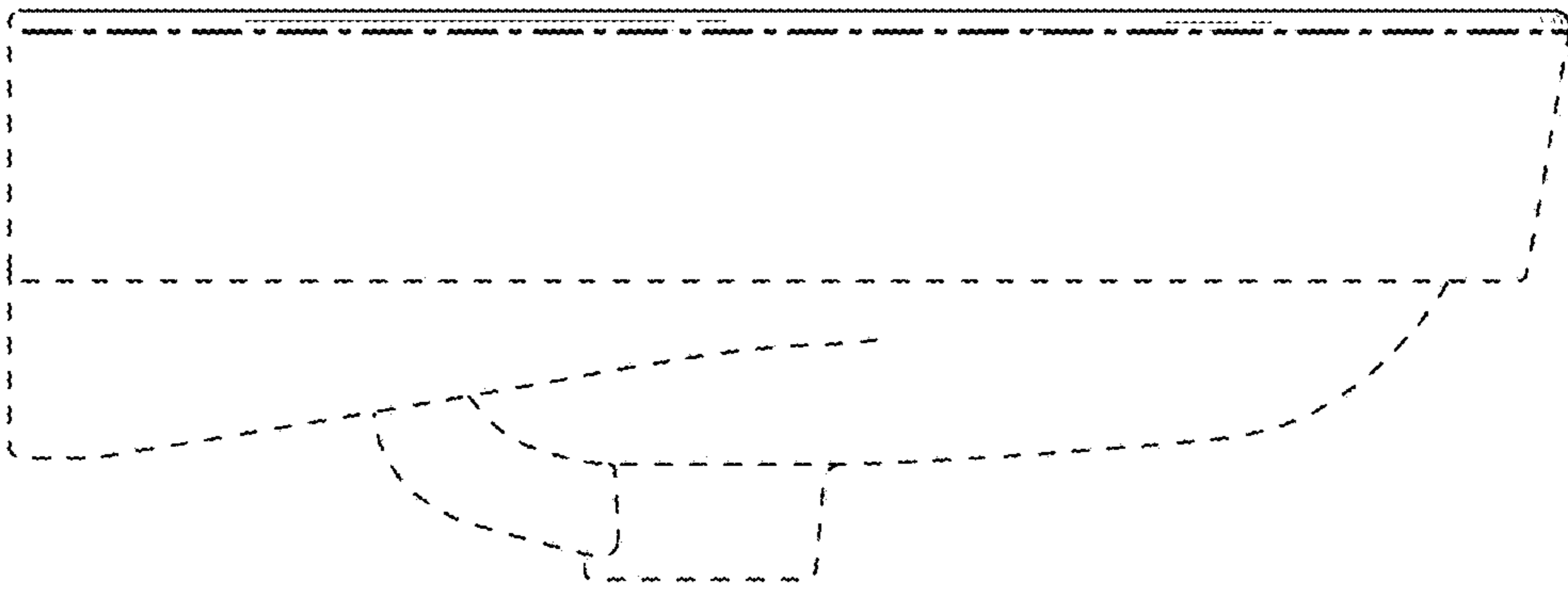


FIG. 7

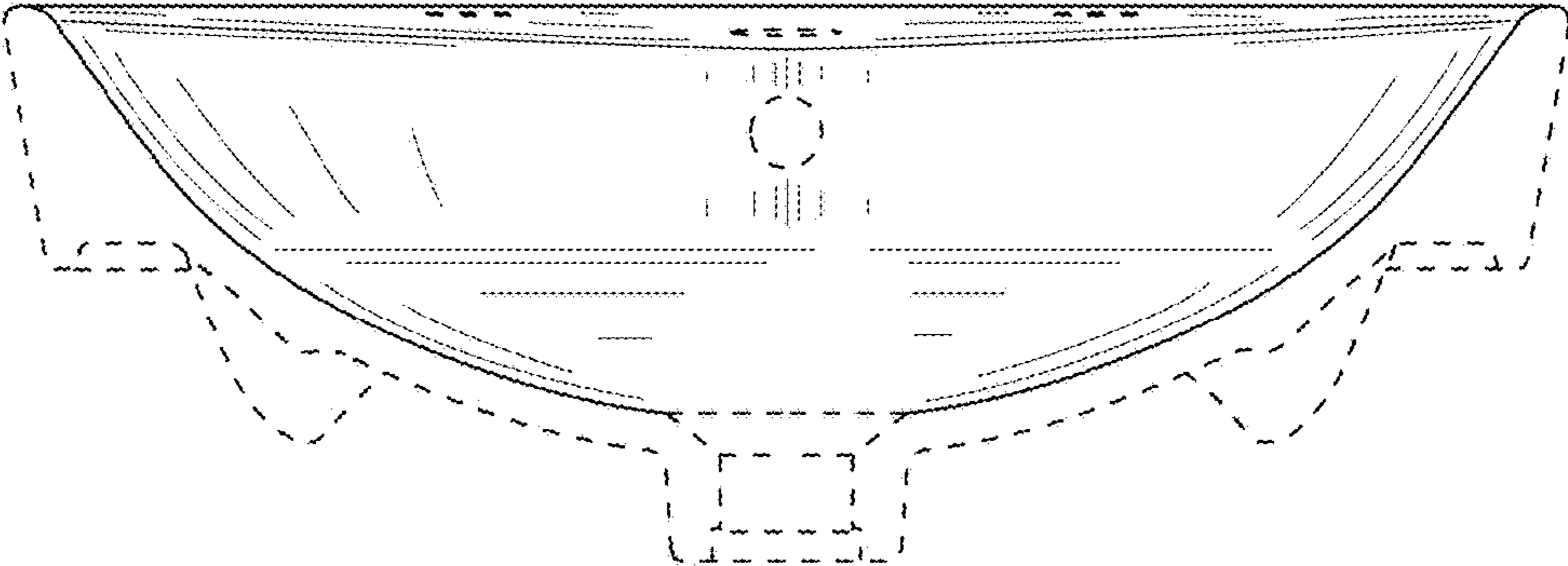


FIG. 8

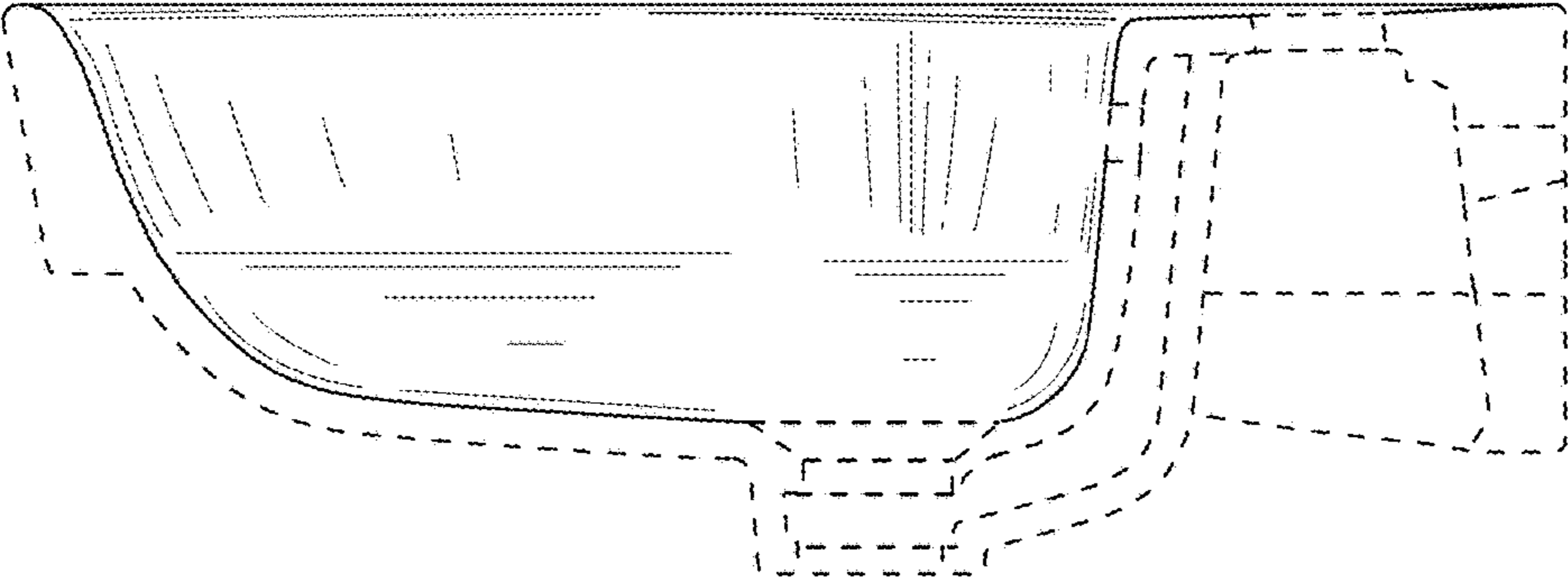


FIG. 9