

US00D824002S

(12) **United States Design Patent** (10) **Patent No.:** **US D824,002 S**
Stevenson et al. (45) **Date of Patent:** **** Jul. 24, 2018**

(54) **LAVATORY**
(71) Applicant: **Kohler Mira Limited**, Gloucestershire (GB)
(72) Inventors: **Robert Karl Stevenson**, London (GB); **Alexander Muspratt Williams**, London (GB)
(73) Assignee: **KOHLER MIRA LIMITED** (GB)
(**) Term: **15 Years**
(21) Appl. No.: **29/626,941**
(22) Filed: **Nov. 21, 2017**

D509,574 S 9/2005 Sutopo
D509,887 S 9/2005 Sutopo
D538,410 S 3/2007 Chensesseau
D560,777 S 1/2008 Hanna
D588,239 S 3/2009 Slothower
D601,678 S 10/2009 Soulier
D632,766 S * 2/2011 Matsuura D23/284
D667,940 S * 9/2012 Licini D23/293.1
D678,991 S * 3/2013 Stauffer D23/293.1
D687,529 S 8/2013 Stauffer
D722,143 S 2/2015 Clarke
D748,229 S 1/2016 Yoshioka
D779,643 S * 2/2017 Stauffer D23/284
D806,840 S * 1/2018 Stevenson D23/293.1

* cited by examiner

Primary Examiner — Brandon M Rosati
Assistant Examiner — John A Voytek
(74) *Attorney, Agent, or Firm* — Foley & Lardner LLP

Related U.S. Application Data

(62) Division of application No. 29/566,254, filed on May 27, 2016.
(51) **LOC (11) Cl.** **23-02**
(52) **U.S. Cl.**
USPC **D23/308**
(58) **Field of Classification Search**
USPC D23/284–293.1, 303, 308
CPC A47K 1/04; A47B 77/06; A47J 47/20
See application file for complete search history.

(57) **CLAIM**

We claim the ornamental design for a lavatory, as shown and described.

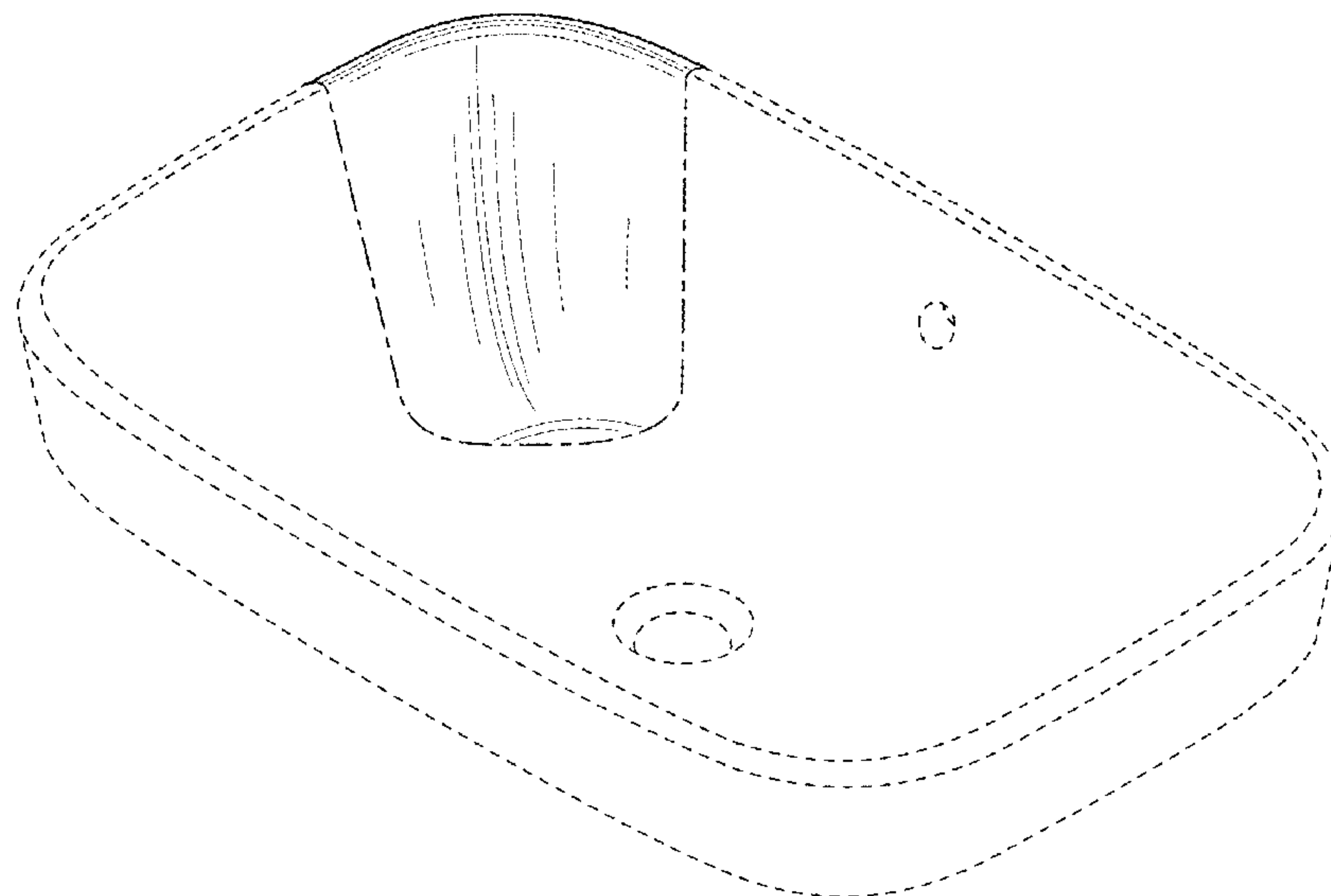
DESCRIPTION

FIG. 1 is a perspective view of an embodiment of the claimed design;
FIG. 2 is a top view of the embodiment of FIG. 1;
FIG. 3 is a cross-sectional view taken along line 3-3 in FIG. 2; and,
FIG. 4 is a cross-sectional view taken along line 4-4 in FIG. 2.

The ornamental design which is claimed is shown in solid lines in the drawings. The broken lines in the drawings form no part of the claimed design. Broken lines formed by equal length dashes show unclaimed subject matter. Broken lines formed of unequal length dashes (i.e., dash-dot) define bounds of the claimed design.

1 Claim, 4 Drawing Sheets

(56) **References Cited**
U.S. PATENT DOCUMENTS
D36,995 S 6/1904 Gregg
D274,642 S 7/1984 Doman
D292,732 S 11/1987 Gates et al.
D293,930 S 1/1988 Reid
D295,669 S 5/1988 Kolada
D328,338 S 7/1992 Ragonot
D433,741 S * 11/2000 Singer D23/284
D434,124 S 11/2000 McKeone
D499,797 S 12/2004 Bates



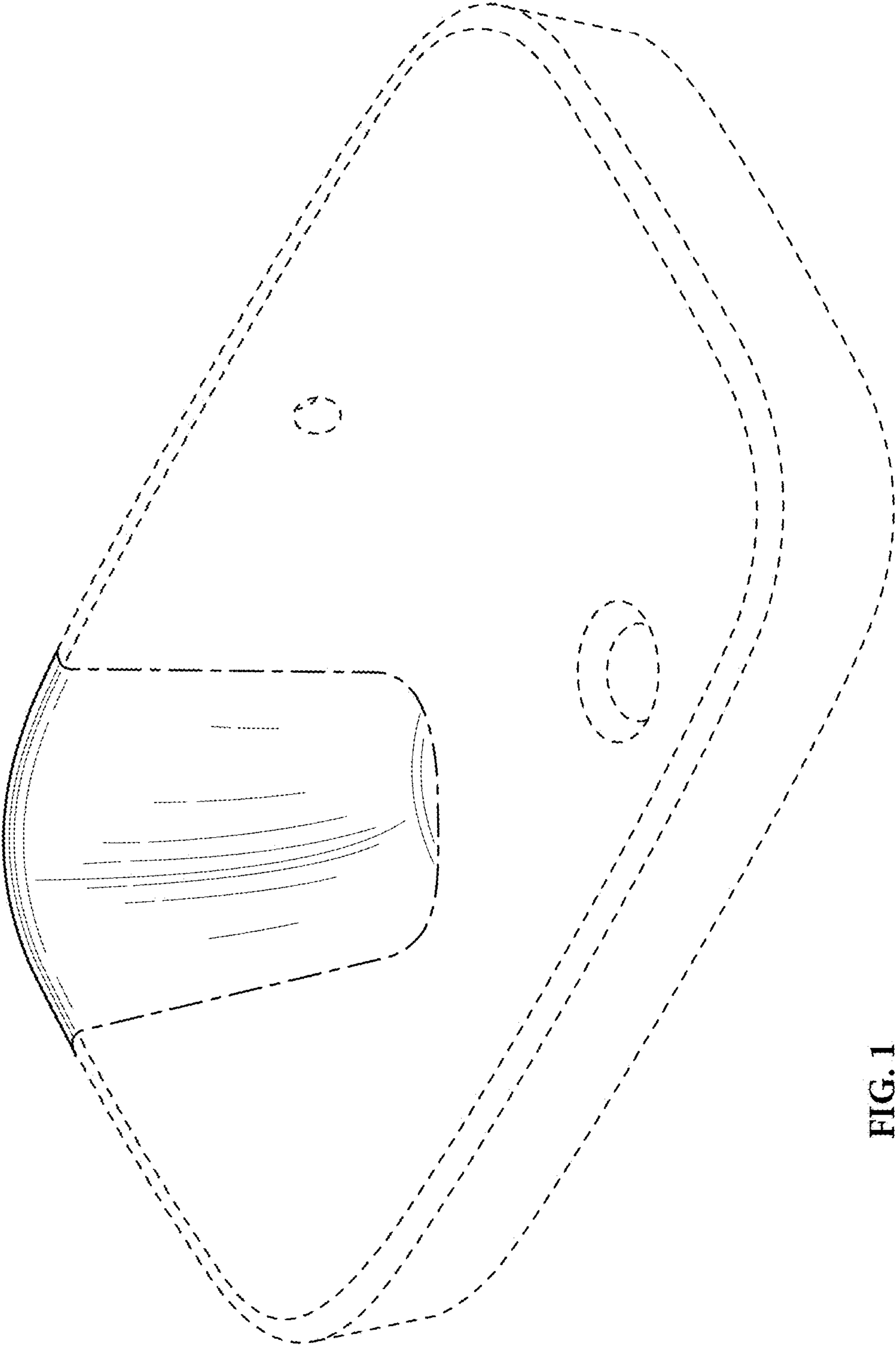


FIG. 1

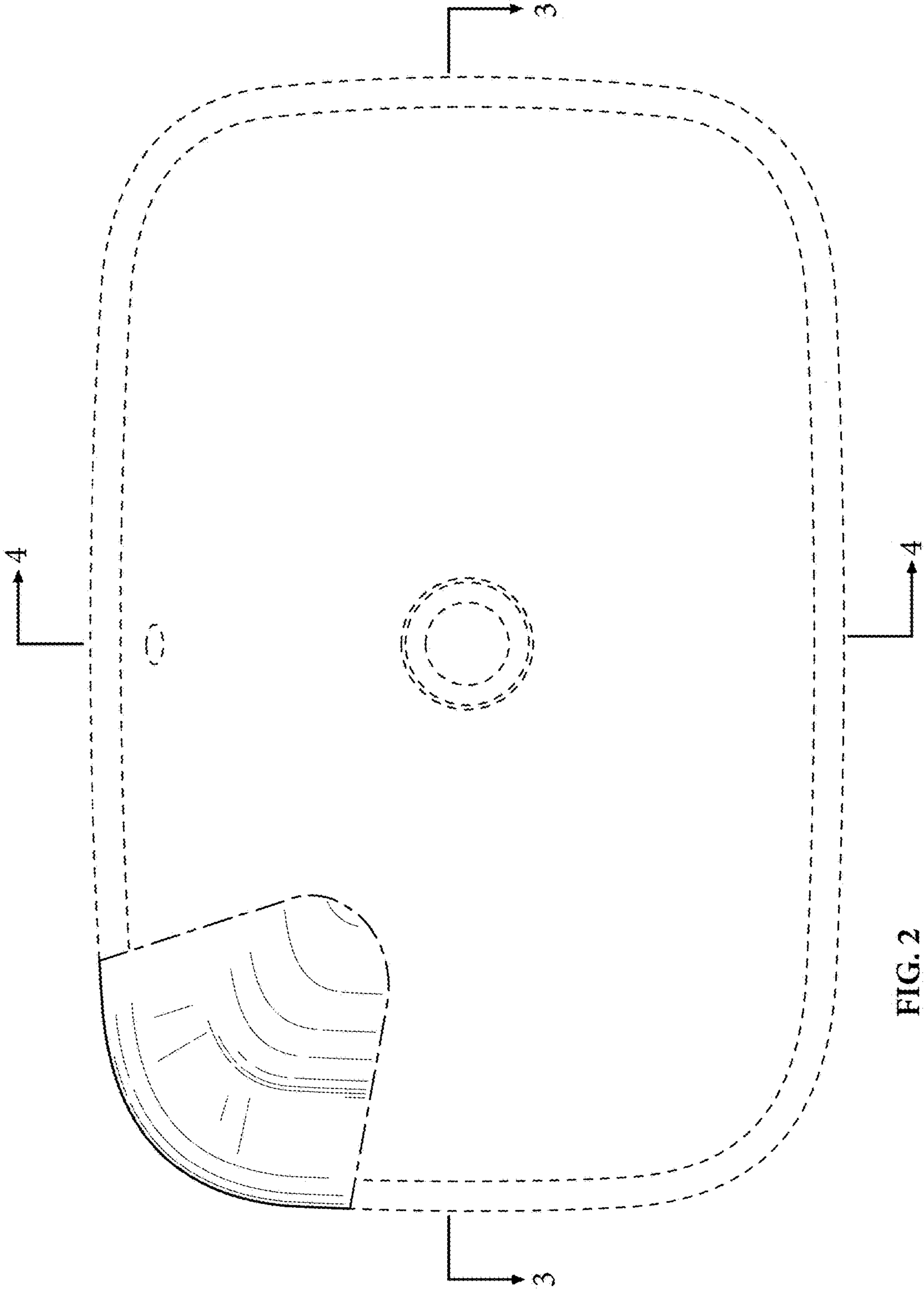


FIG. 2

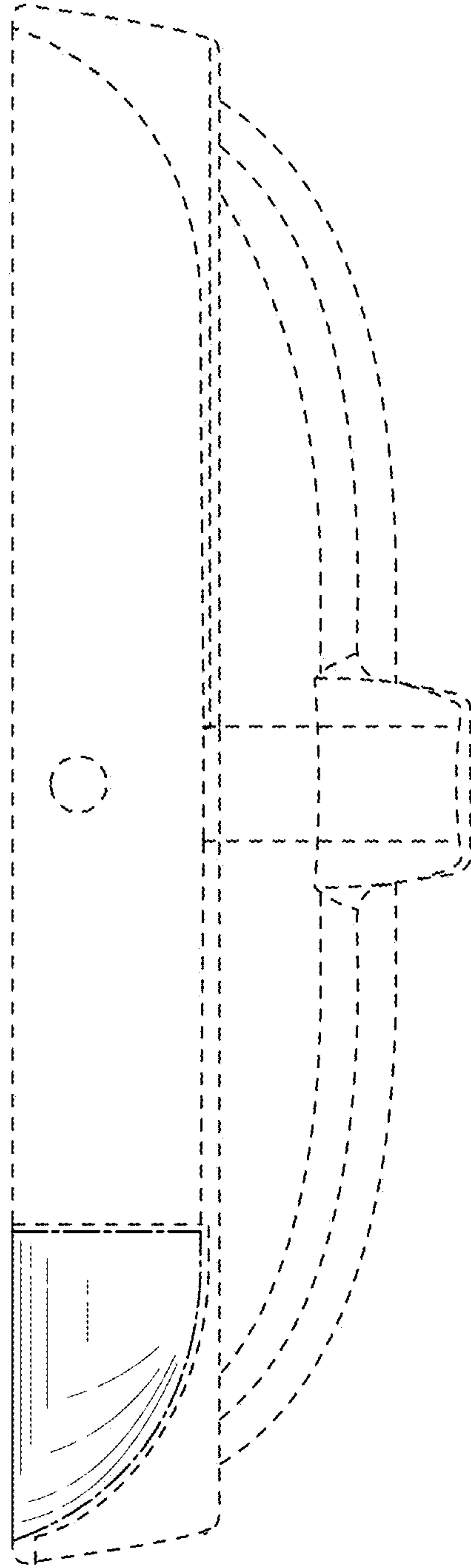


FIG. 3

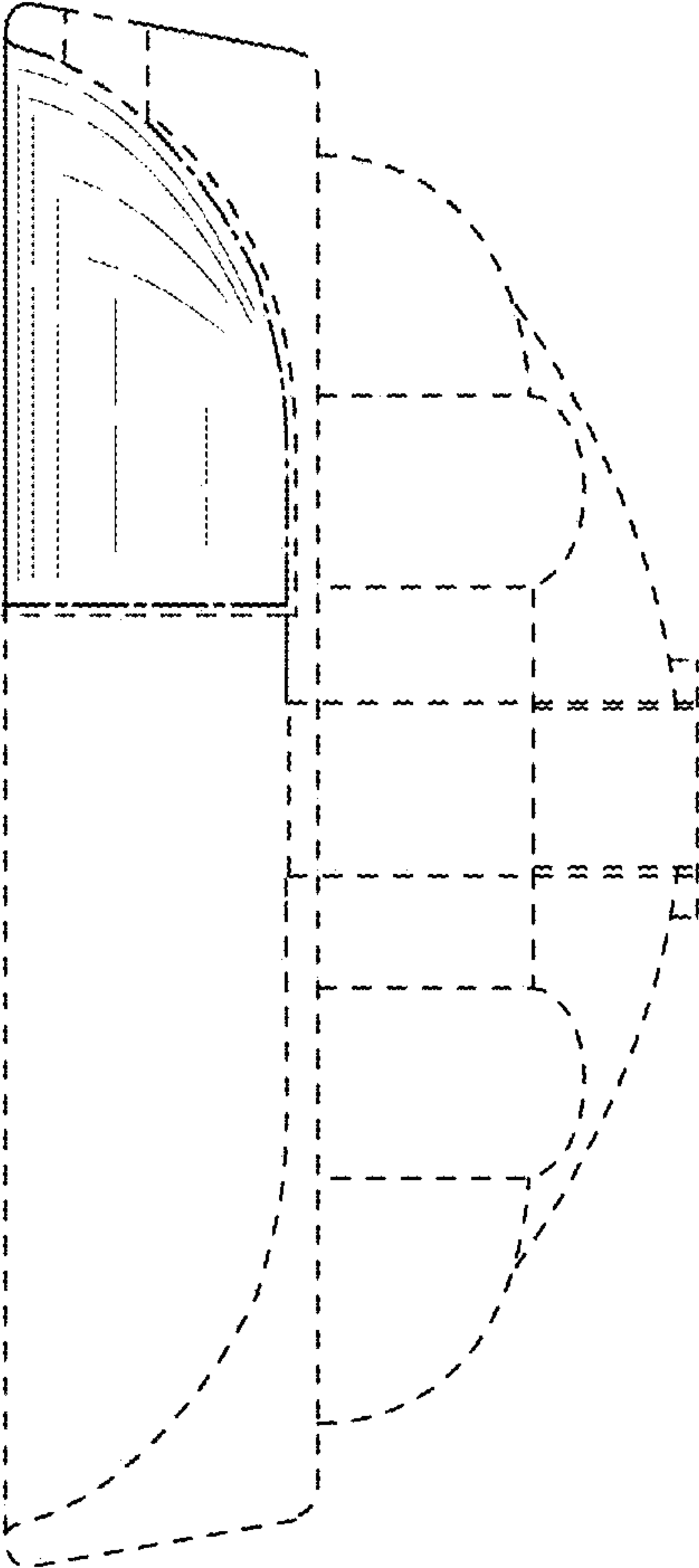


FIG. 4