



US00D824001S

(12) **United States Design Patent** (10) **Patent No.:** **US D824,001 S**  
**Stevenson et al.** (45) **Date of Patent:** **\*\* Jul. 24, 2018**

(54) **LAVATORY**  
(71) Applicant: **Kohler Mira Limited**, Gloucestershire (GB)  
(72) Inventors: **Robert Karl Stevenson**, London (GB); **Alexander Muspratt Williams**, London (GB)  
(73) Assignee: **KOHLER MIRA LIMITED** (GB)  
(\*\*) Term: **15 Years**  
(21) Appl. No.: **29/626,898**  
(22) Filed: **Nov. 21, 2017**

D560,777 S 1/2008 Hanna  
D588,239 S 3/2009 Slothower  
D601,678 S 10/2009 Soulier  
D632,766 S \* 2/2011 Matsuura ..... D23/284  
D667,940 S 9/2012 Licini  
D687,529 S 8/2013 Stauffer  
D722,143 S 2/2015 Clarke  
D748,229 S 1/2016 Yoshioka  
D752,726 S \* 3/2016 Clarke ..... D23/293.1  
D779,643 S 2/2017 Stauffer  
D805,169 S \* 12/2017 Stevenson ..... D23/293.1  
(Continued)

*Primary Examiner* — Brandon M Rosati  
*Assistant Examiner* — John A Voytek  
(74) *Attorney, Agent, or Firm* — Foley & Lardner LLP

**Related U.S. Application Data**

(62) Division of application No. 29/566,254, filed on May 27, 2016, now Pat. No. Des. 806,840.  
(51) **LOC (11) Cl.** ..... **23-02**  
(52) **U.S. Cl.**  
USPC ..... **D23/308**; D23/293.1  
(58) **Field of Classification Search**  
USPC ..... D23/284–293.1, 303, 308  
CPC ..... A47K 1/04; A47B 77/06; A47J 47/20  
See application file for complete search history.

(57) **CLAIM**

We claim the ornamental design for a lavatory, as shown and described.

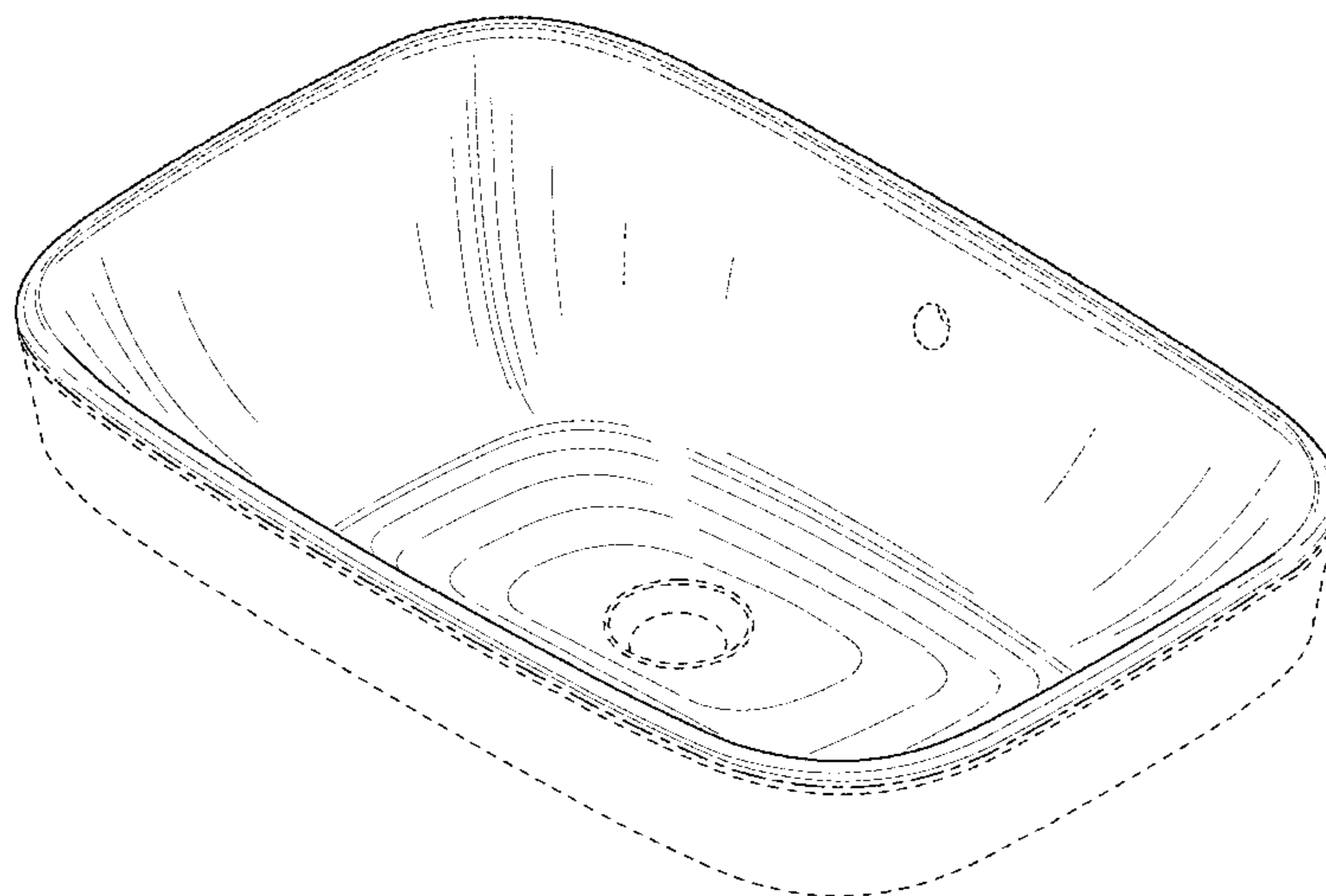
**DESCRIPTION**

FIG. 1 is a perspective view of an embodiment of the claimed design;  
FIG. 2 is a top view of the embodiment of FIG. 1;  
FIG. 3 is a bottom view of the embodiment of FIG. 1;  
FIG. 4 is a front view of the embodiment of FIG. 1;  
FIG. 5 is a rear view of the embodiment of FIG. 1;  
FIG. 6 is a side view of the embodiment of FIG. 1;  
FIG. 7 is another side view of the embodiment of FIG. 1;  
FIG. 8 is a cross-sectional view taken along line 8-8 in FIG. 2; and,  
FIG. 9 is a cross-sectional view taken along line 9-9 in FIG. 2.

The ornamental design which is claimed is shown in solid lines in the drawings. The broken lines in the drawings form no part of the claimed design. Broken lines formed by equal length dashes show unclaimed subject matter. Broken lines formed of unequal length dashes (i.e., dash-dot) define bounds of the claimed design.

**1 Claim, 7 Drawing Sheets**

(56) **References Cited**  
U.S. PATENT DOCUMENTS  
D36,995 S 6/1904 Gregg  
D274,642 S 7/1984 Doman  
D292,732 S 11/1987 Gates et al.  
D293,930 S 1/1988 Reid  
D295,669 S 5/1988 Kolada  
D328,338 S 7/1992 Ragonot  
D434,124 S 11/2000 McKeone  
D499,797 S 12/2004 Bates  
D509,574 S 9/2005 Sutopo  
D509,887 S 9/2005 Sutopo  
D538,410 S 3/2007 Chensesseau



(56)

**References Cited**

U.S. PATENT DOCUMENTS

D806,215 S	*	12/2017	Stevenson	.....	D23/293.1
D806,840 S	*	1/2018	Stevenson	.....	D23/293.1
D806,841 S	*	1/2018	Stevenson	.....	D23/293.1
D809,111 S	*	1/2018	Stevenson	.....	D23/293.1

\* cited by examiner

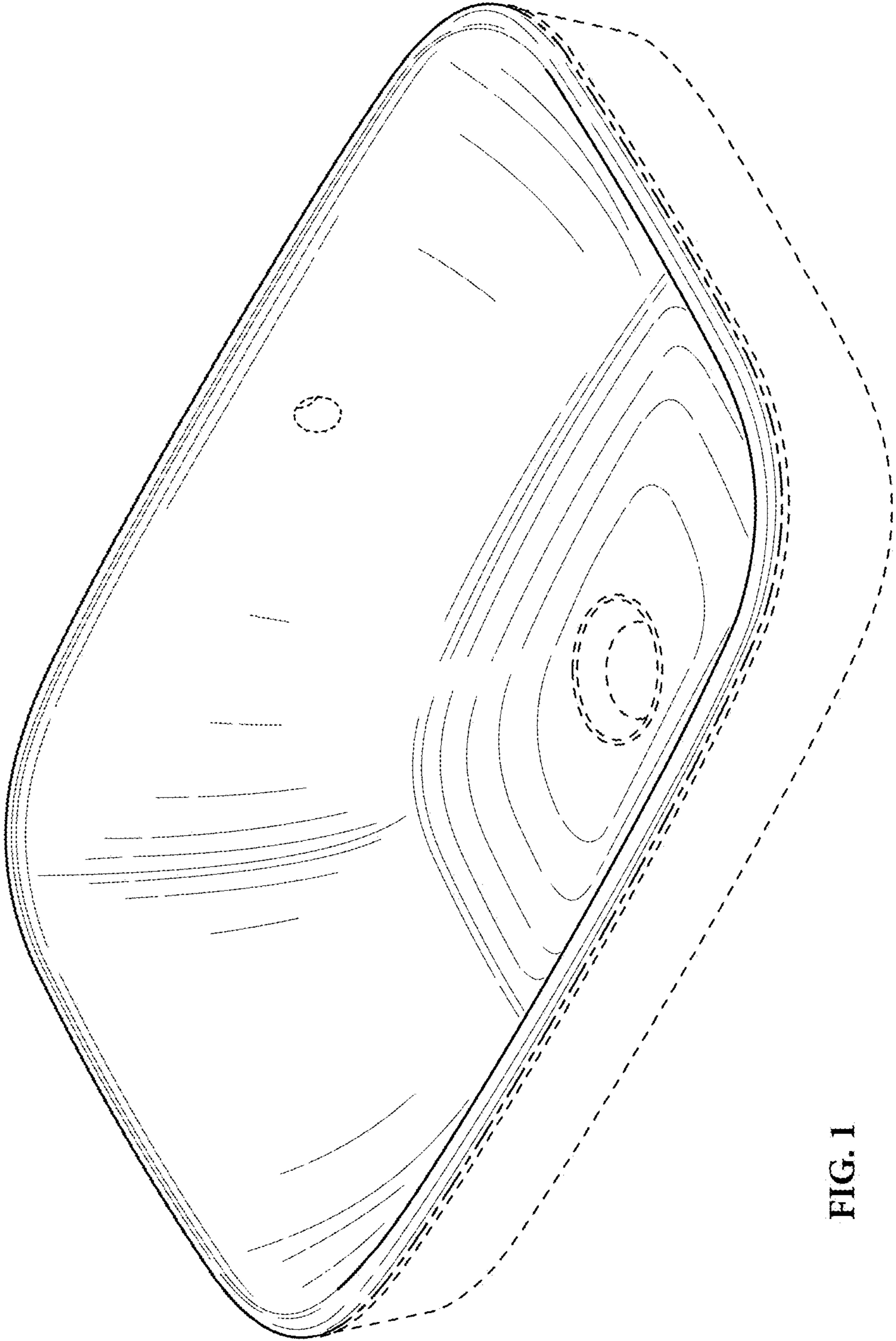


FIG. 1

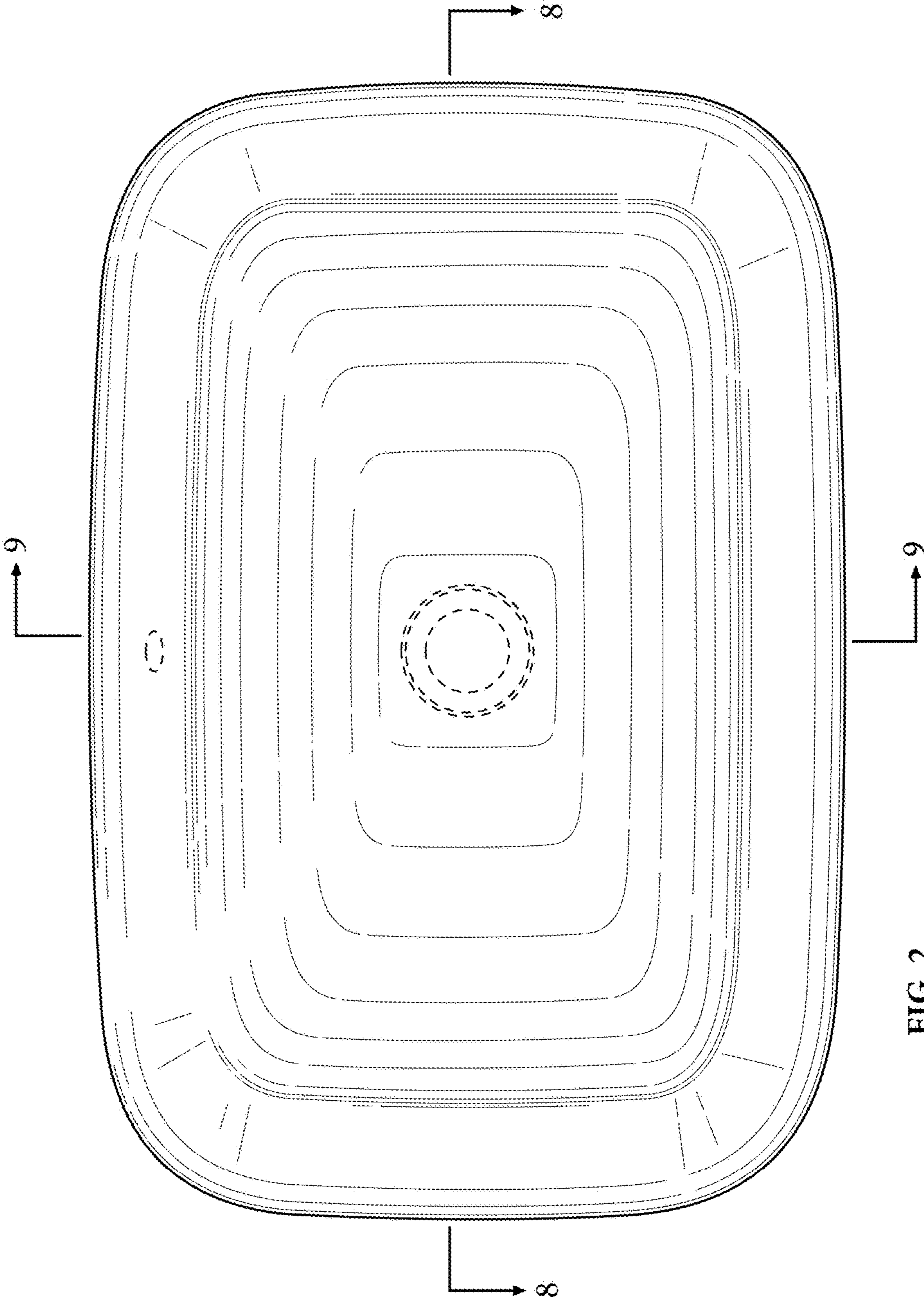


FIG. 2

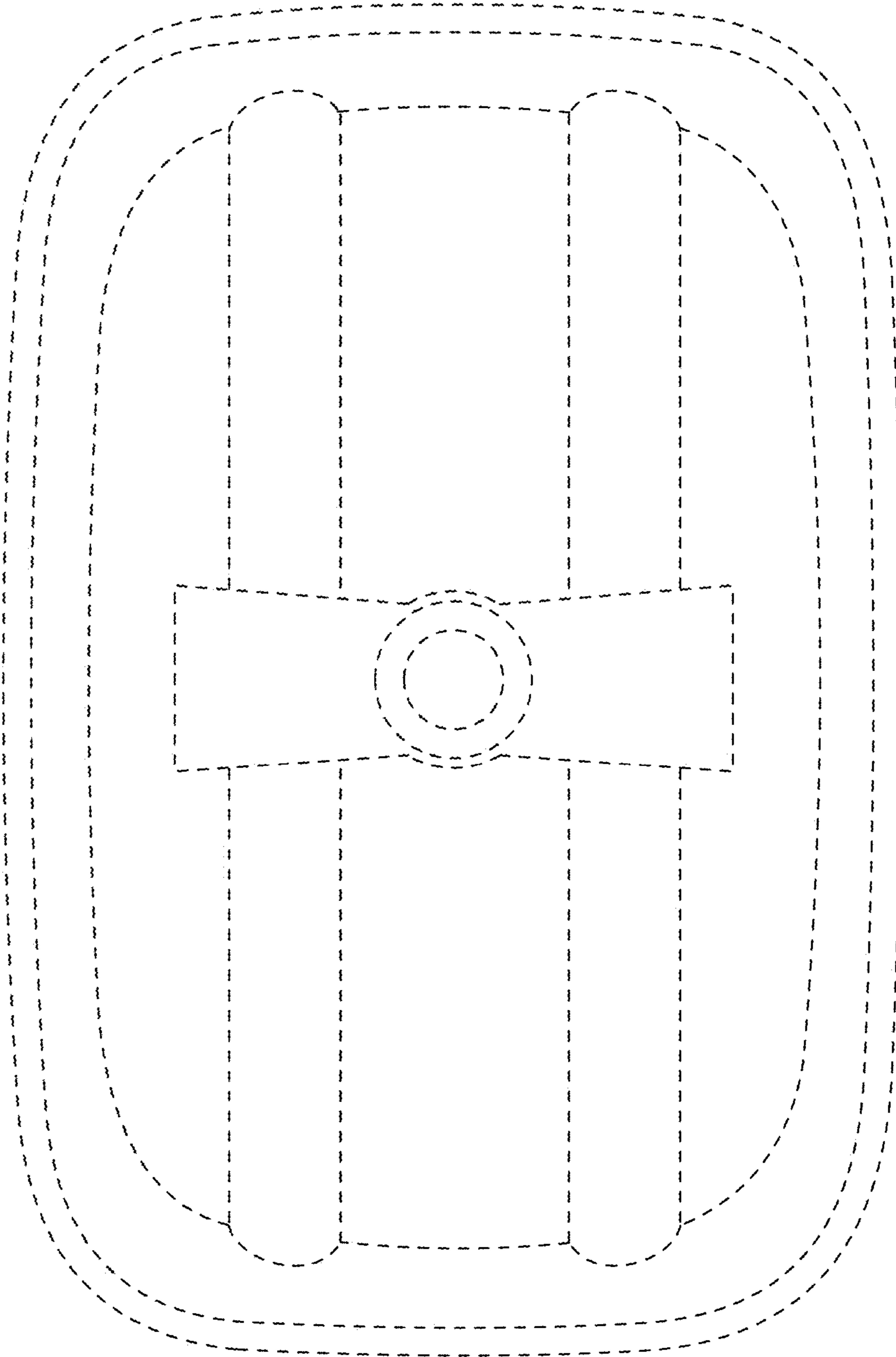


FIG. 3

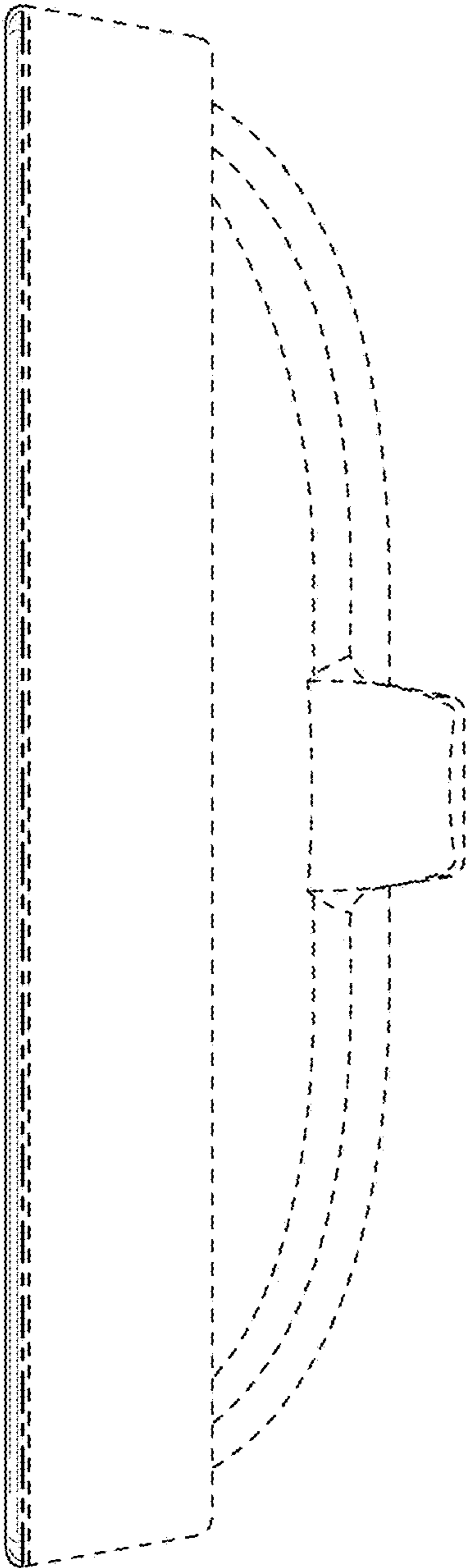


FIG. 4

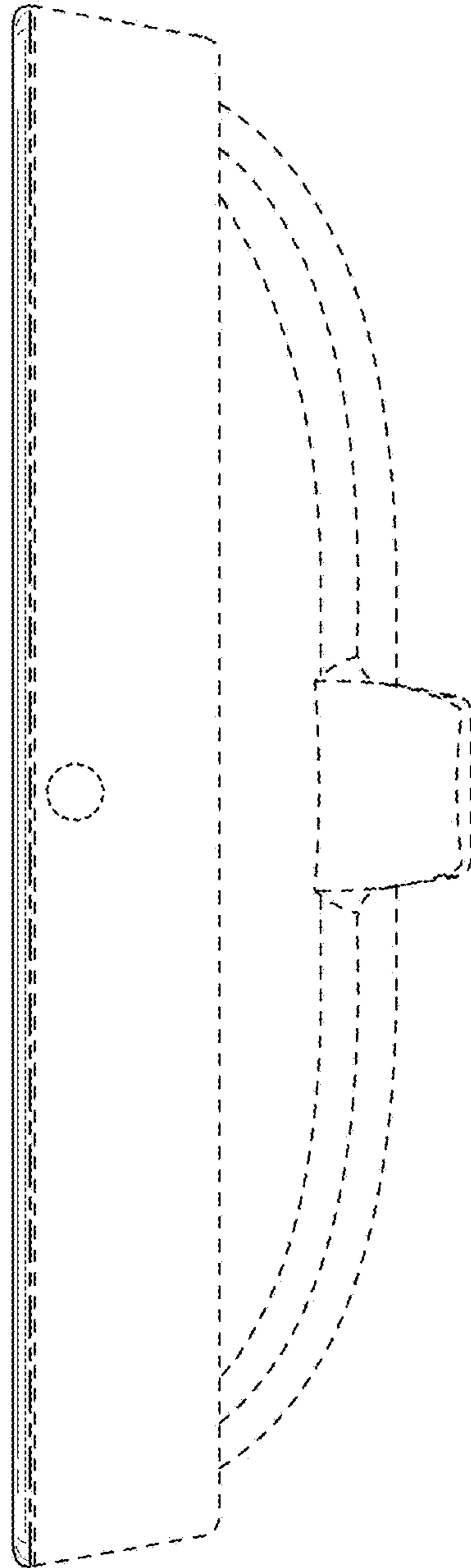


FIG. 5

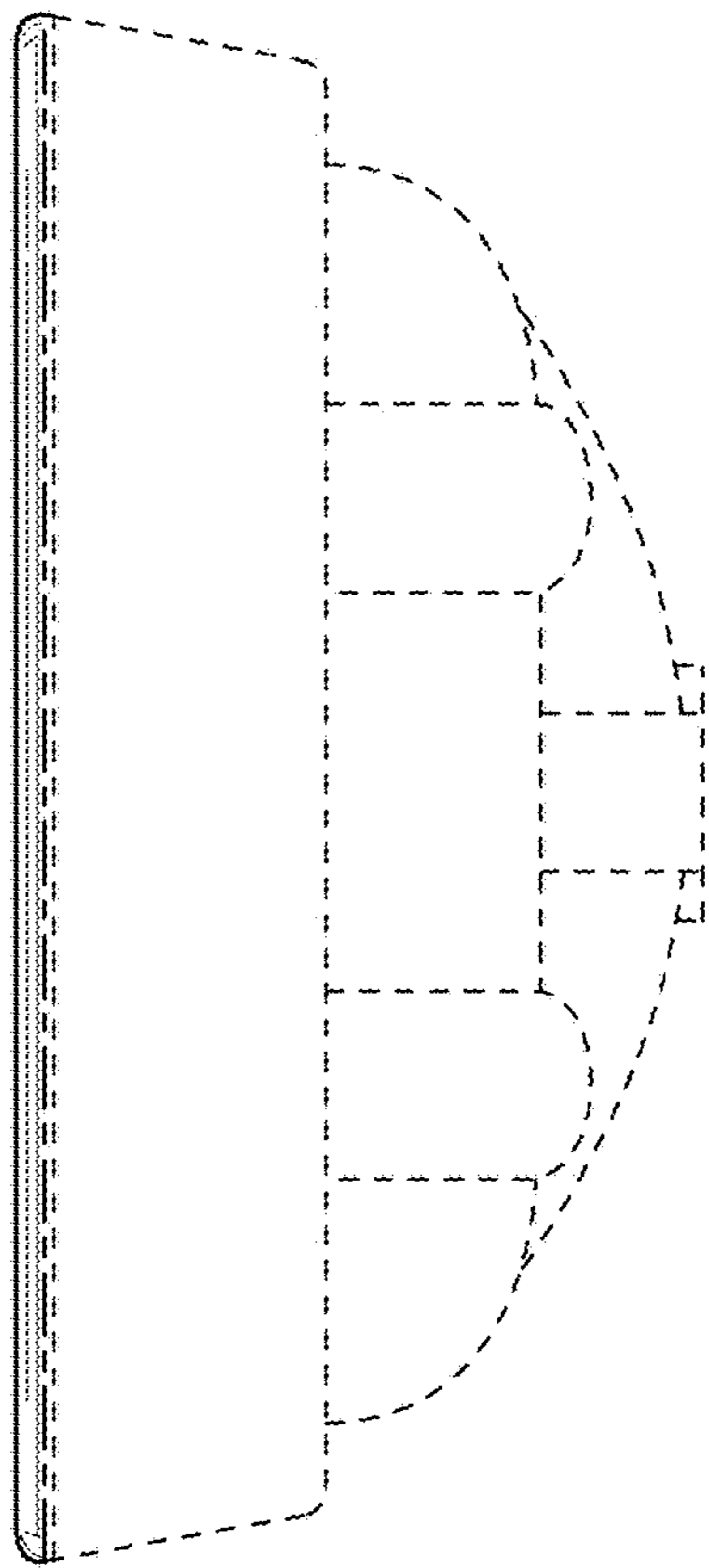


FIG. 6

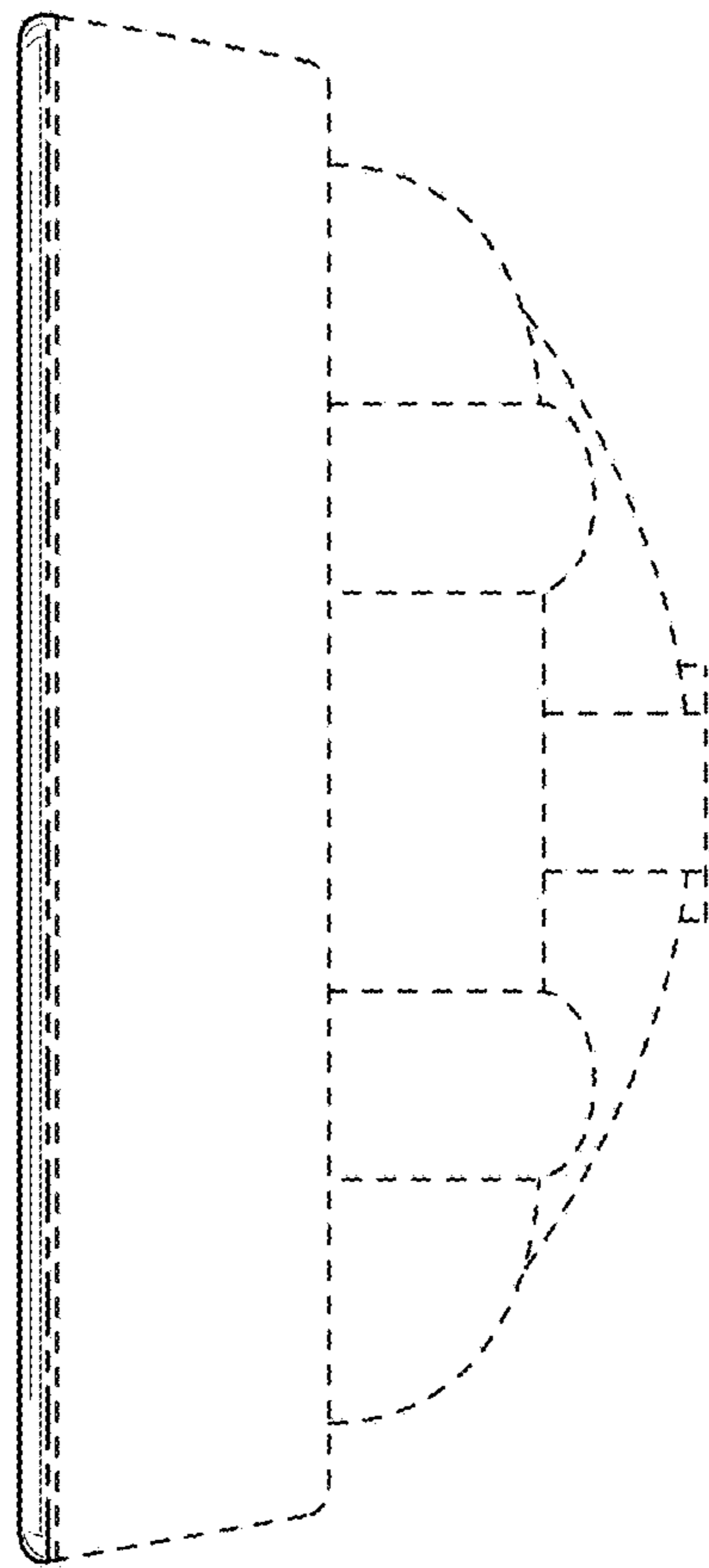


FIG. 7

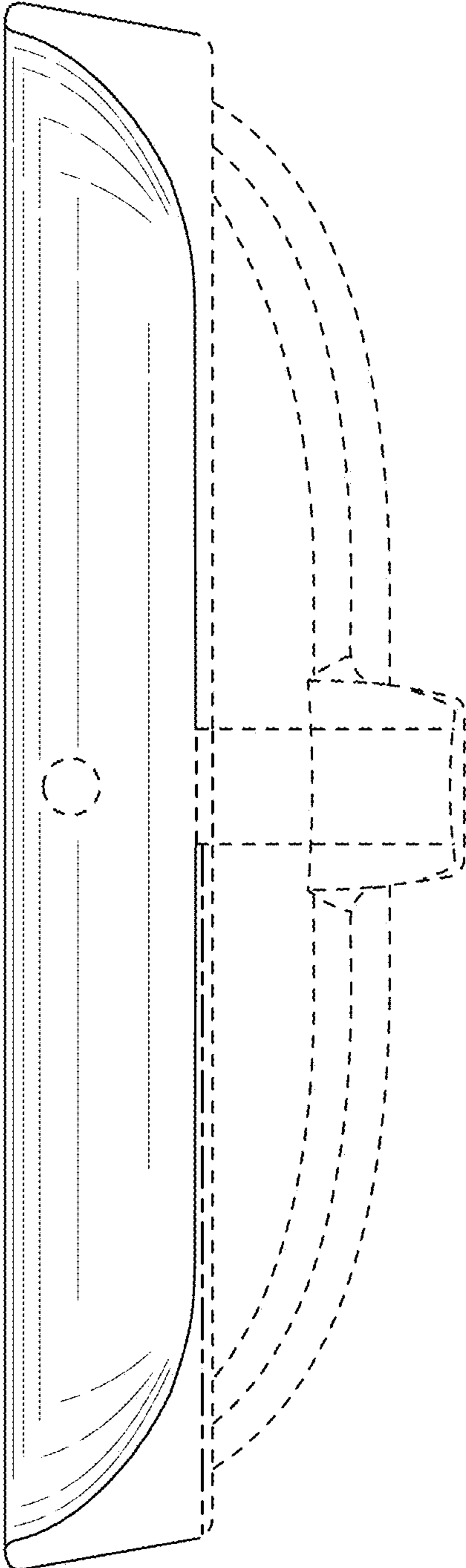


FIG. 8



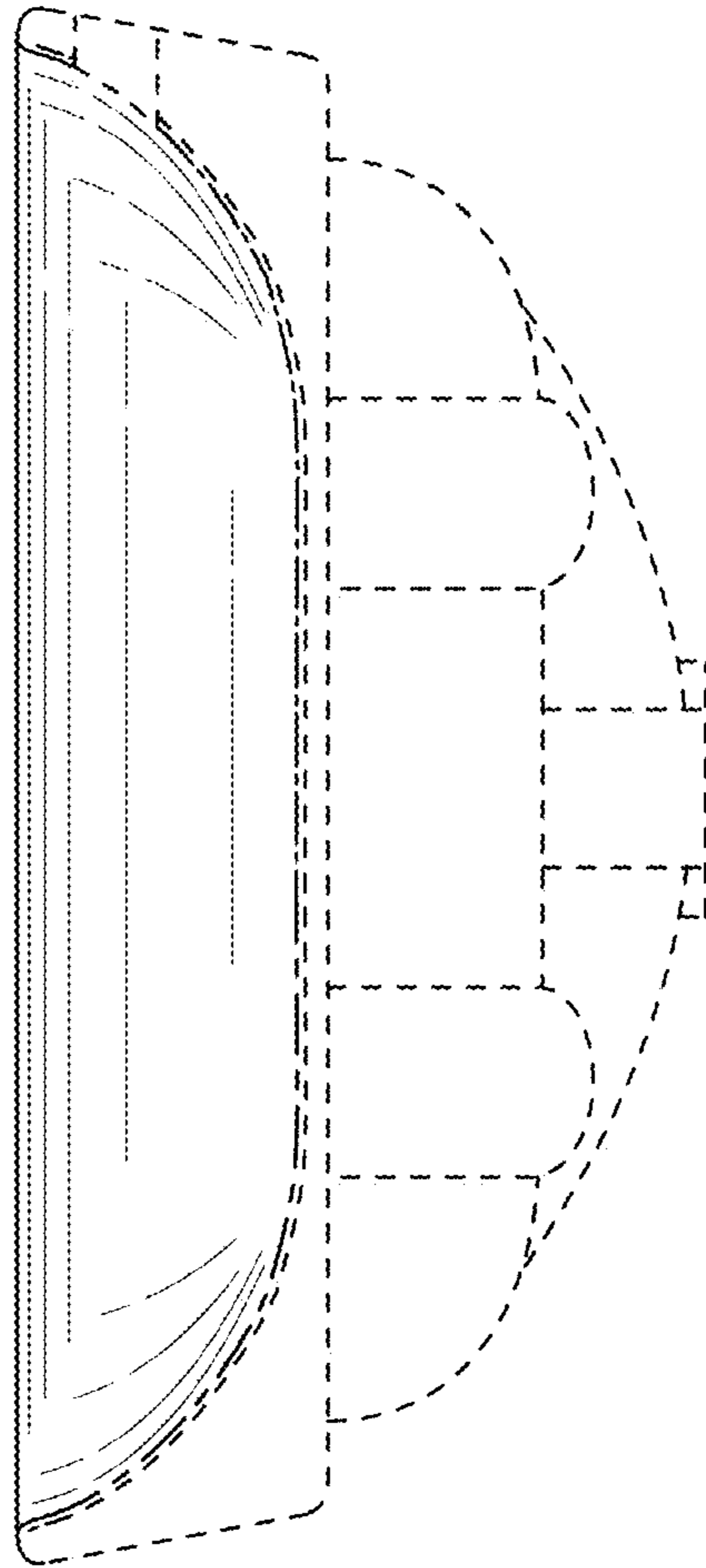


FIG. 9