



US00D823997S

(12) **United States Design Patent** (10) **Patent No.:** **US D823,997 S**
Murray et al. (45) **Date of Patent:** **** Jul. 24, 2018**

(54) **LAVATORY SYSTEM WITH SINGULAR
FIXTURE FOR WATER, SOAP, AND DRYER**

(71) Applicant: **Bradley Fixtures Corporation,**
Menomonee Falls, WI (US)

(72) Inventors: **Chris Murray,** Chicao, IL (US); **Trevis
Kurz,** Chicago, IL (US); **Cassandra
Anne Schneider,** Oconomowoc, WI
(US); **William L. Haas,** Richfield, WI
(US); **Jason Thomas Dodge,**
Waukesha, WI (US)

(73) Assignee: **Bradley Fixtures Corporation,**
Menomonee Falls, WI (US)

(**) Term: **15 Years**

(21) Appl. No.: **29/616,996**

(22) Filed: **Sep. 11, 2017**

Related U.S. Application Data

(62) Division of application No. 29/559,402, filed on Mar.
28, 2016, now Pat. No. Des. 813,360.

(51) **LOC (11) Cl.** **23-02**

(52) **U.S. Cl.**
USPC **D23/308**

(58) **Field of Classification Search**
USPC D23/238-243, 249-250, 254, 255, 257,
D23/284, 293.1, 308; D28/54.1, 58;
D6/542-545

(Continued)

(56) **References Cited**

U.S. PATENT DOCUMENTS

D268,949 S * 5/1983 Delepine D23/255
D468,815 S * 1/2003 Kahle D23/284

(Continued)

Primary Examiner — Robert A Delehanty

(74) *Attorney, Agent, or Firm* — Boyle Fredrickson, S.C.

(57) **CLAIM**

The ornamental design for lavatory system with singular
fixture for water, soap, and dryer, substantially as shown and
described.

DESCRIPTION

FIG. 1 is a front, raised perspective view of a lavatory
system showing a basin with a single fixture including a
faucet, soap dispenser, and dryer;

FIG. 2 is a rear, lowered perspective view of the lavatory
system according to FIG. 1;

FIG. 3 is a top view of the lavatory system according to FIG.
1;

FIG. 4 is bottom view of the lavatory system according to
FIG. 1;

FIG. 5 is a front view of the lavatory system according to
FIG. 1;

FIG. 6 is a rear view of the lavatory system according to
FIG. 1;

FIG. 7 is a left side view of the lavatory system according
to FIG. 1;

FIG. 8 is a right side view of the lavatory system according
to FIG. 1;

FIG. 9 is a front, raised perspective view of a lavatory
system showing a basin with a single fixture including a
faucet, soap dispenser, and dryer;

FIG. 10 is a rear, lowered perspective view of the lavatory
system according to FIG. 9;

FIG. 11 is a top view of the lavatory system according to
FIG. 9;

FIG. 12 is bottom view of the lavatory system according to
FIG. 9;

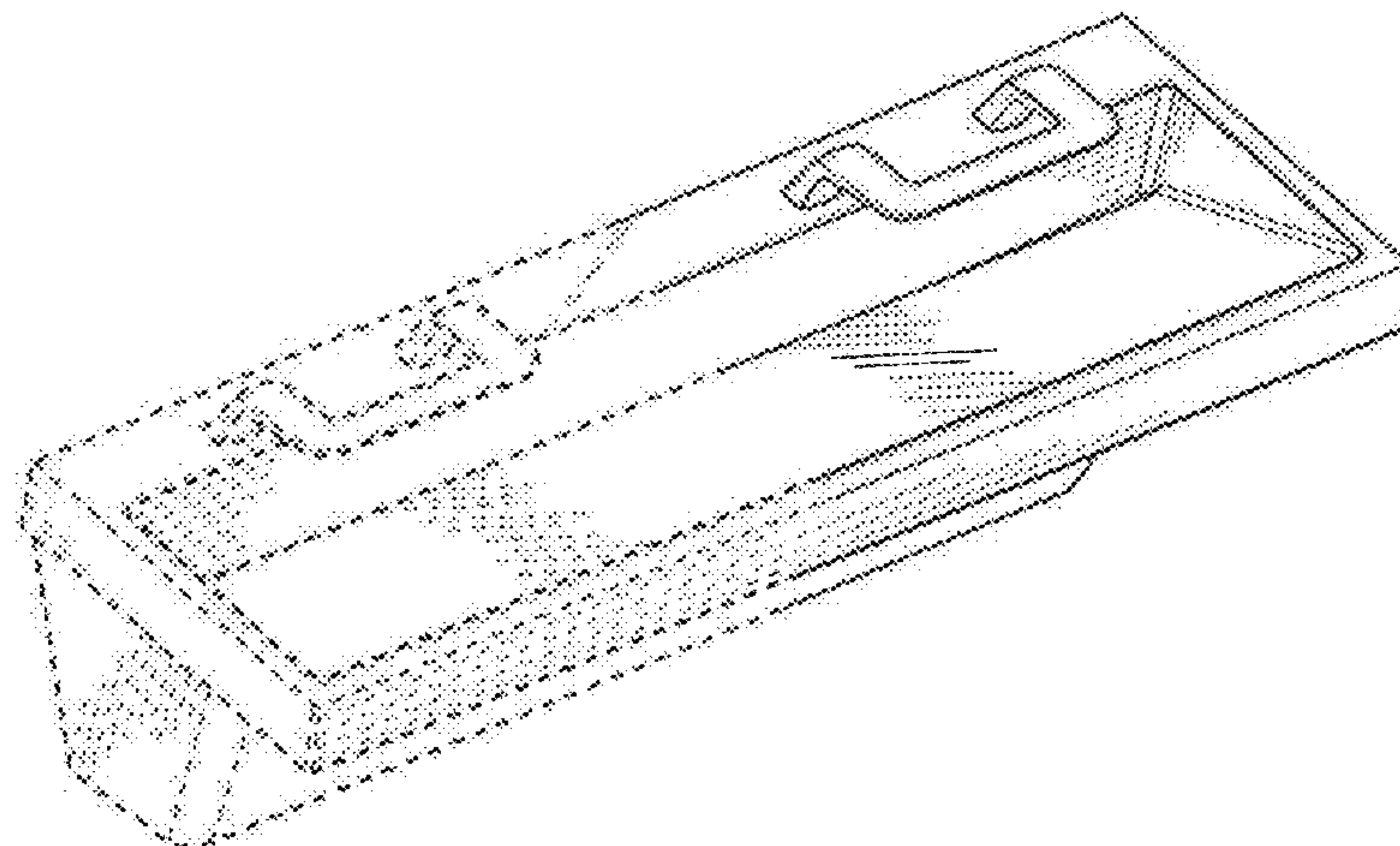
FIG. 13 is a front view of the lavatory system according to
FIG. 9;

FIG. 14 is a rear view of the lavatory system according to
FIG. 9;

FIG. 15 is a left side view of the lavatory system according
to FIG. 9; and,

FIG. 16 is a right side view of the lavatory system according
to FIG. 9.

(Continued)



The broken lines shown in the drawings form no part of the claimed design. The surface shading illustrated in the drawings is provided merely to highlight the contour of the design and is not part of the claimed design. All surfaces not shown form no part of the claimed design.

1 Claim, 8 Drawing Sheets

(58) **Field of Classification Search**

CPC E03C 1/04; E03C 1/0401; E03C 1/0402;
E03C 1/0404; E03C 1/057; E03C 1/052;
F16K 31/602; F16K 31/605; F16K
31/607; A47K 5/1217; A47K 10/48

See application file for complete search history.

(56)

References Cited

U.S. PATENT DOCUMENTS

D545,415	S	*	6/2007	Tani	D23/293.1
D560,782	S	*	1/2008	Marshall	D23/293.1
D629,877	S	*	12/2010	Rundberg	D23/308
D687,530	S	*	8/2013	McGuire	D23/308
D691,247	S	*	10/2013	McGuire	D23/308
D691,248	S	*	10/2013	McGuire	D23/308
8,997,271	B2	*	4/2015	Bayley	A47K 10/48 4/638
D735,838	S	*	8/2015	Bartlett	D23/290
D745,120	S	*	12/2015	Adkison	D23/284
D768,824	S	*	10/2016	Murray	D23/238
D785,760	S	*	5/2017	Murray	D23/238
D785,761	S	*	5/2017	Murray	D23/238

* cited by examiner

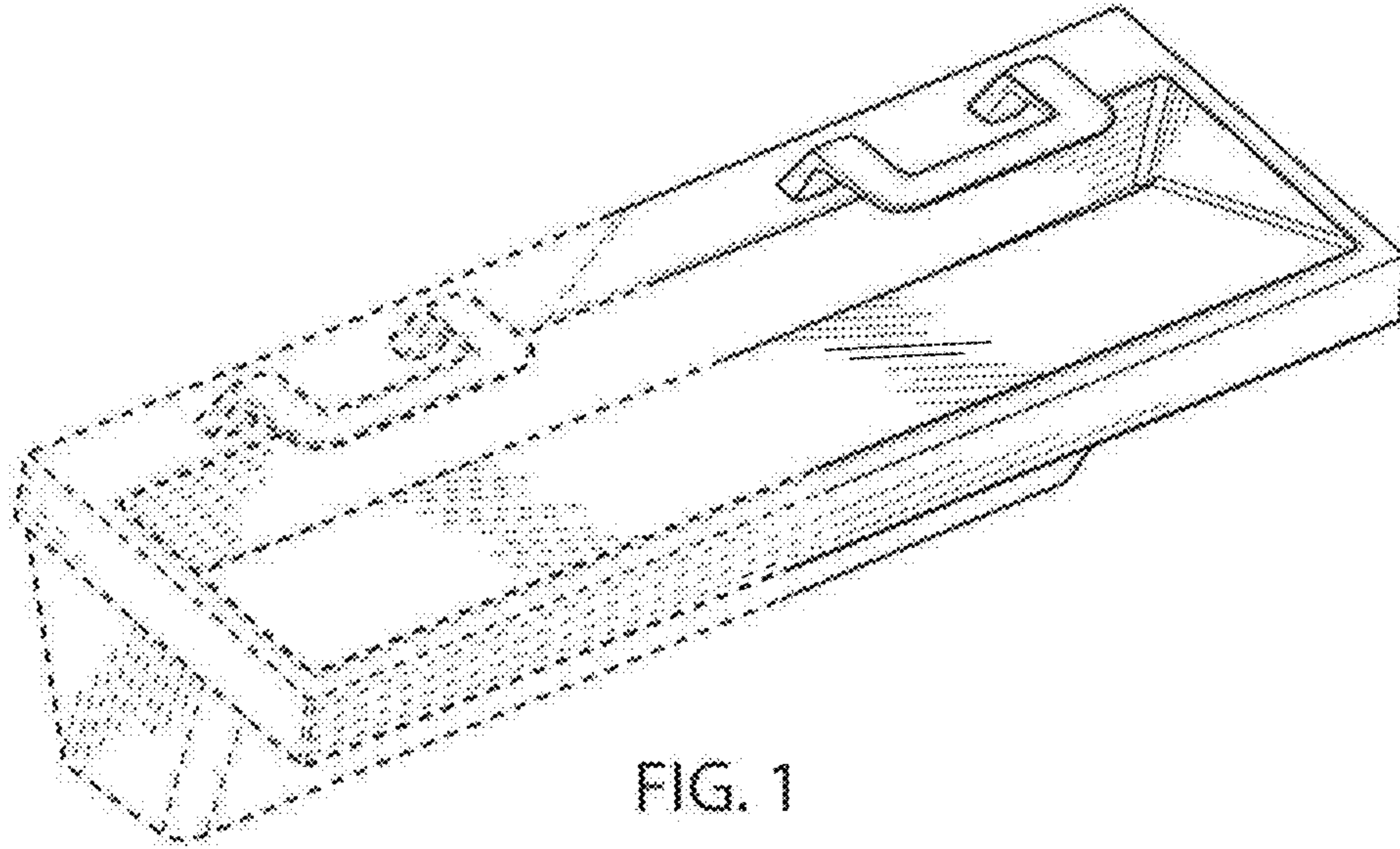


FIG. 1

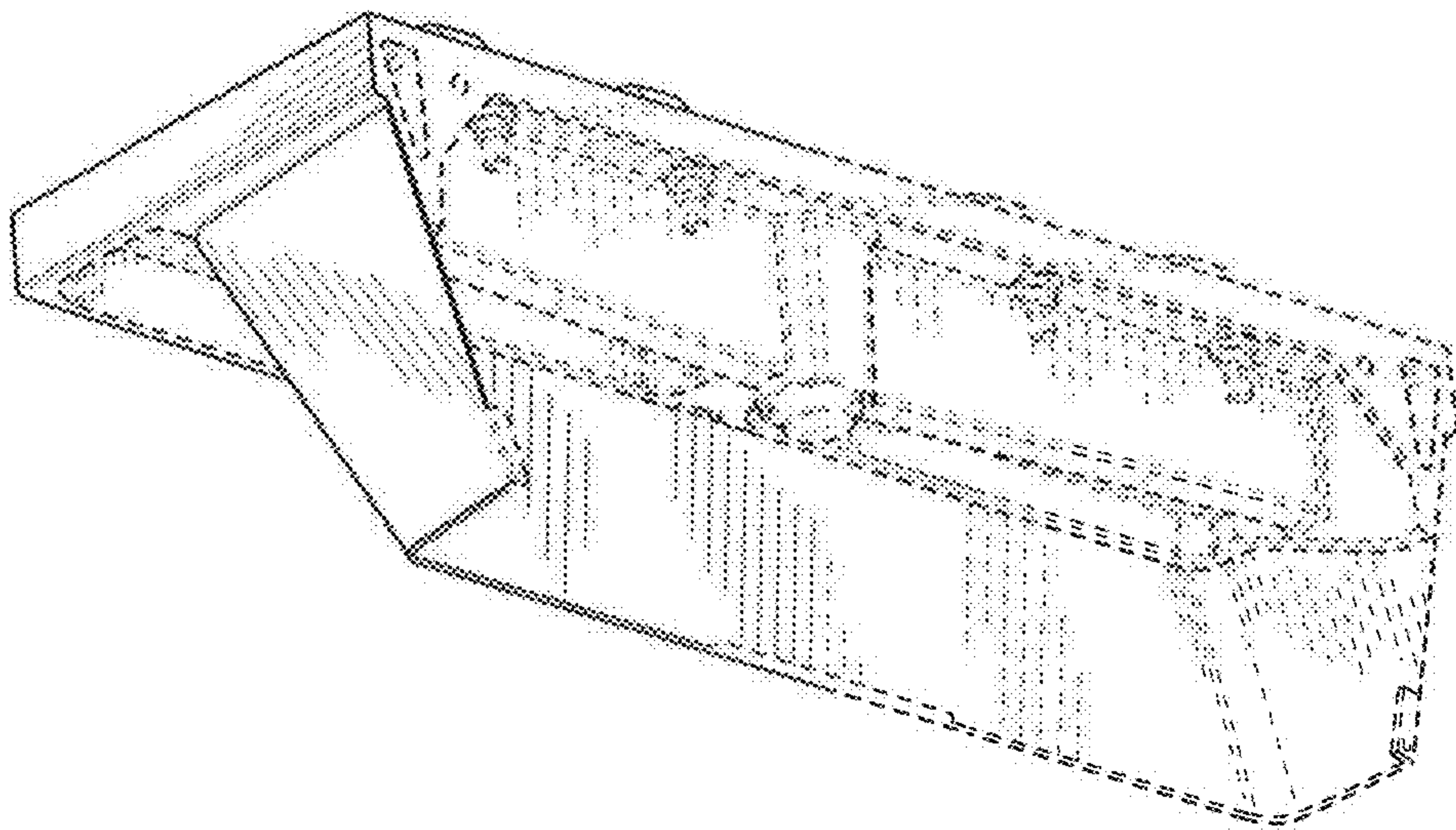


FIG. 2

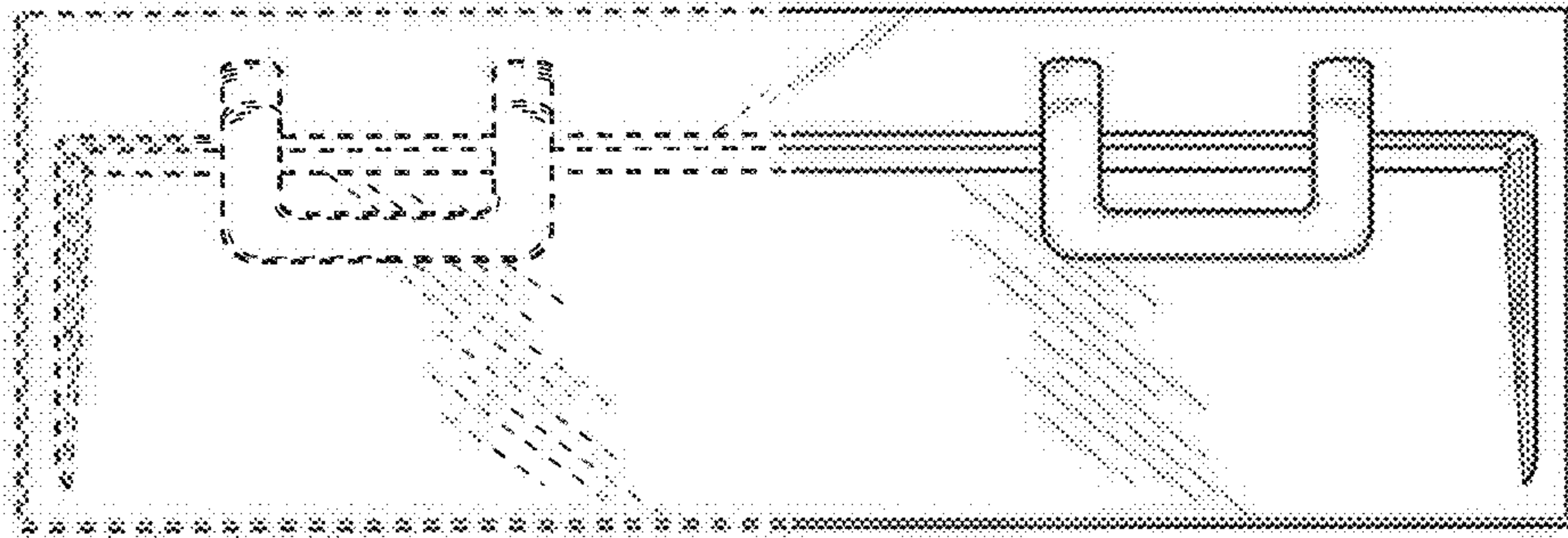


FIG. 3

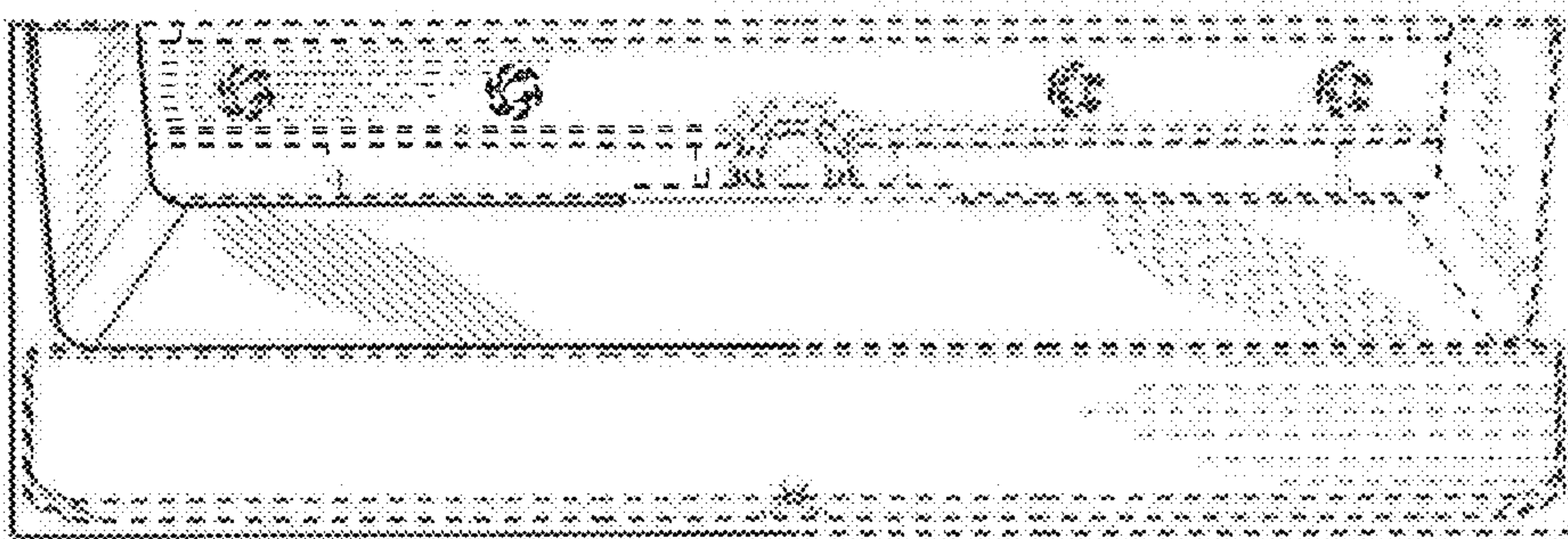


FIG. 4

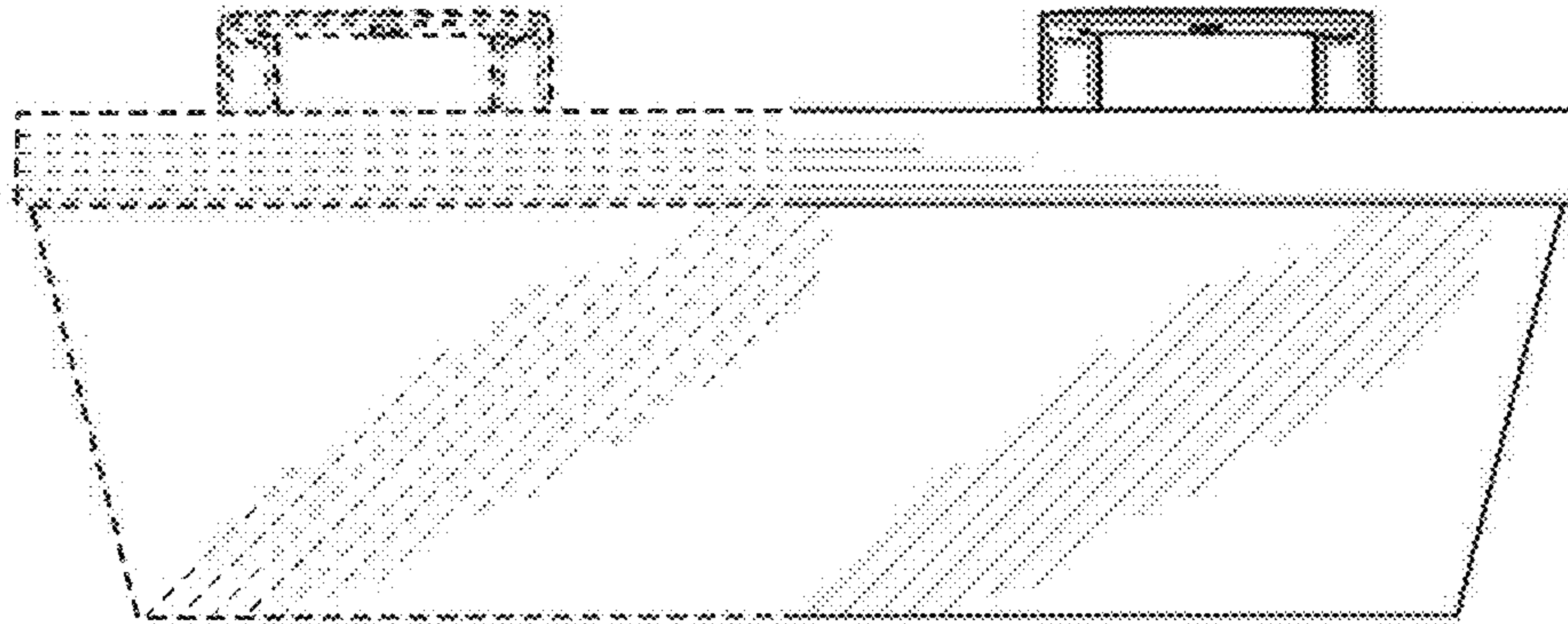


FIG. 5

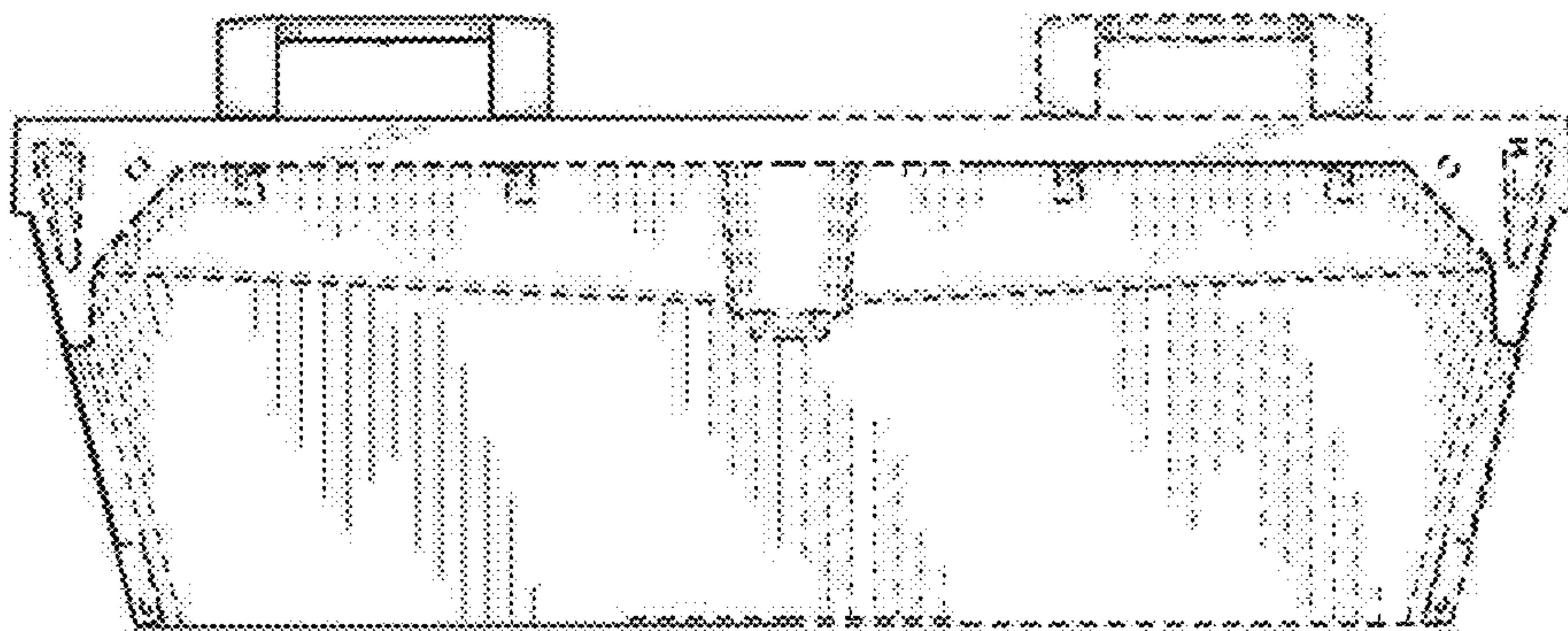


FIG. 6

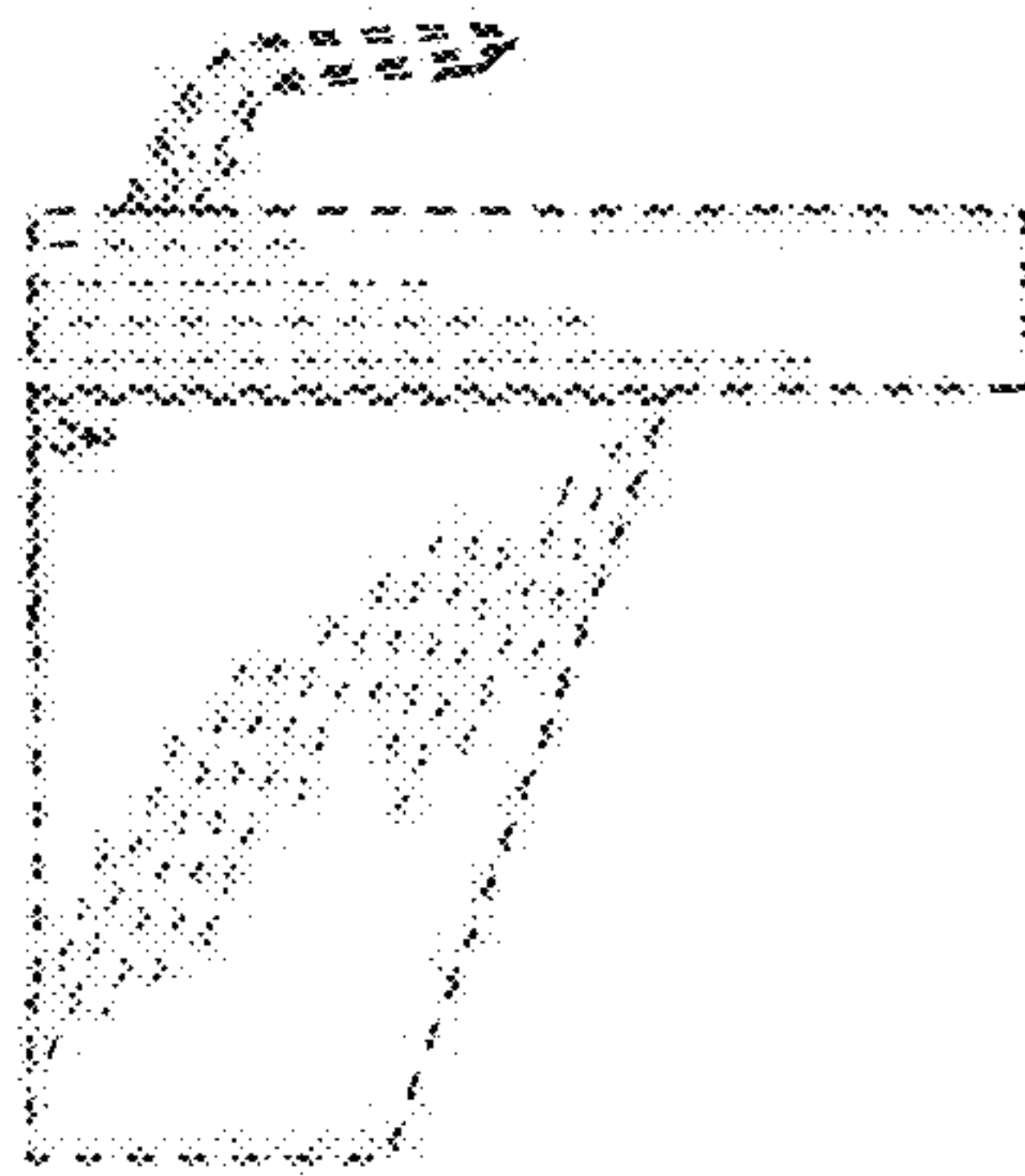


FIG. 7

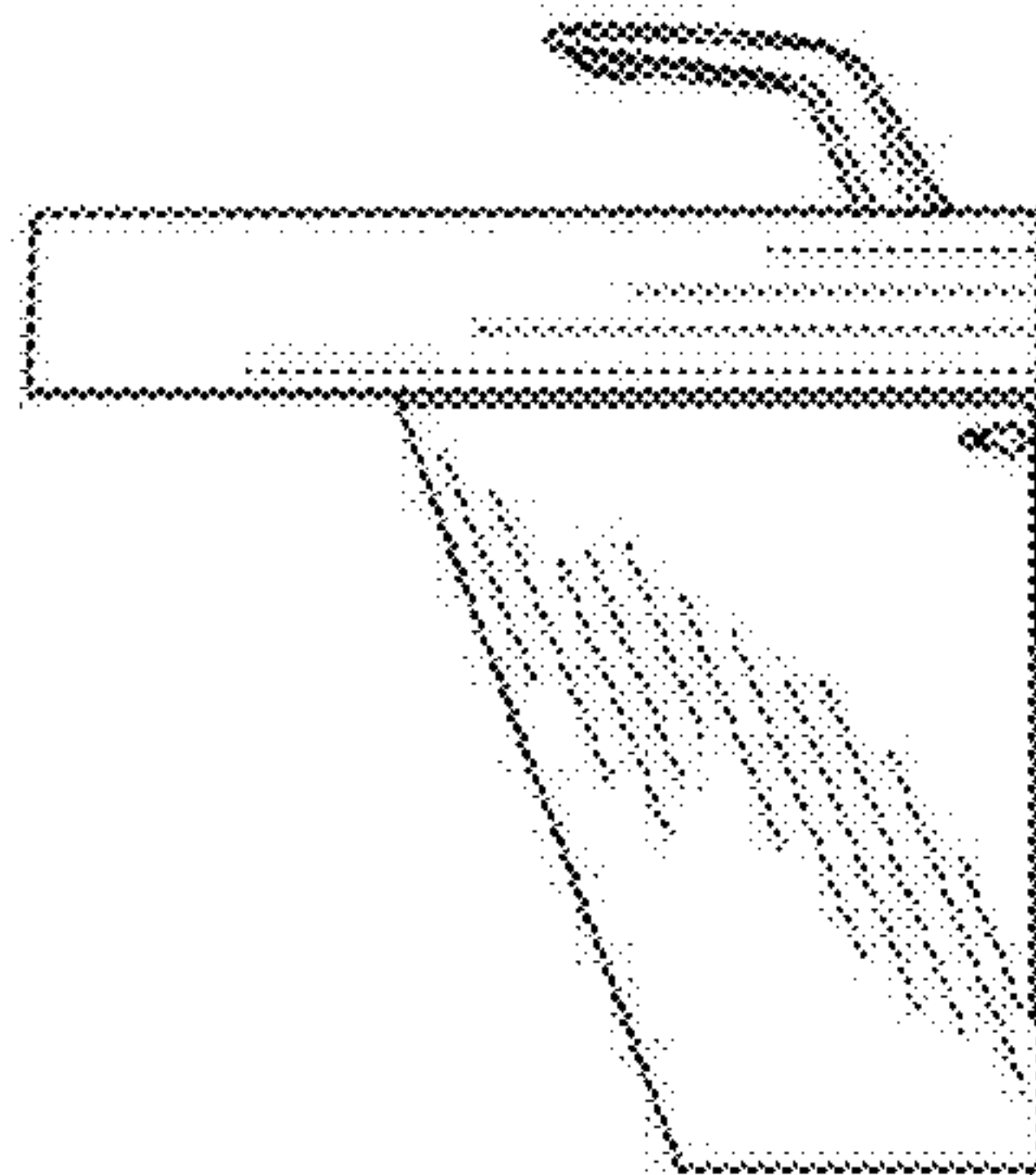


FIG. 8

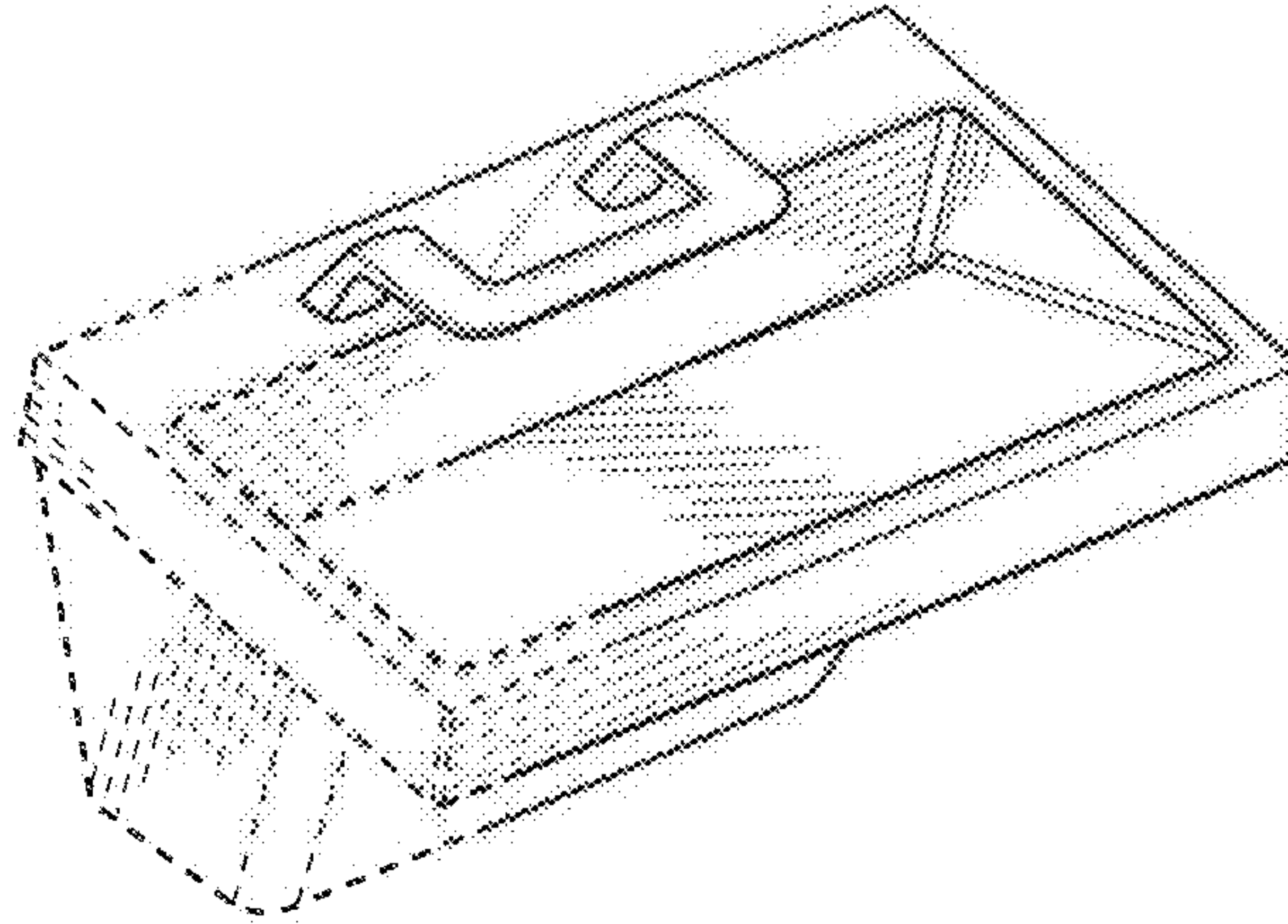


FIG. 9

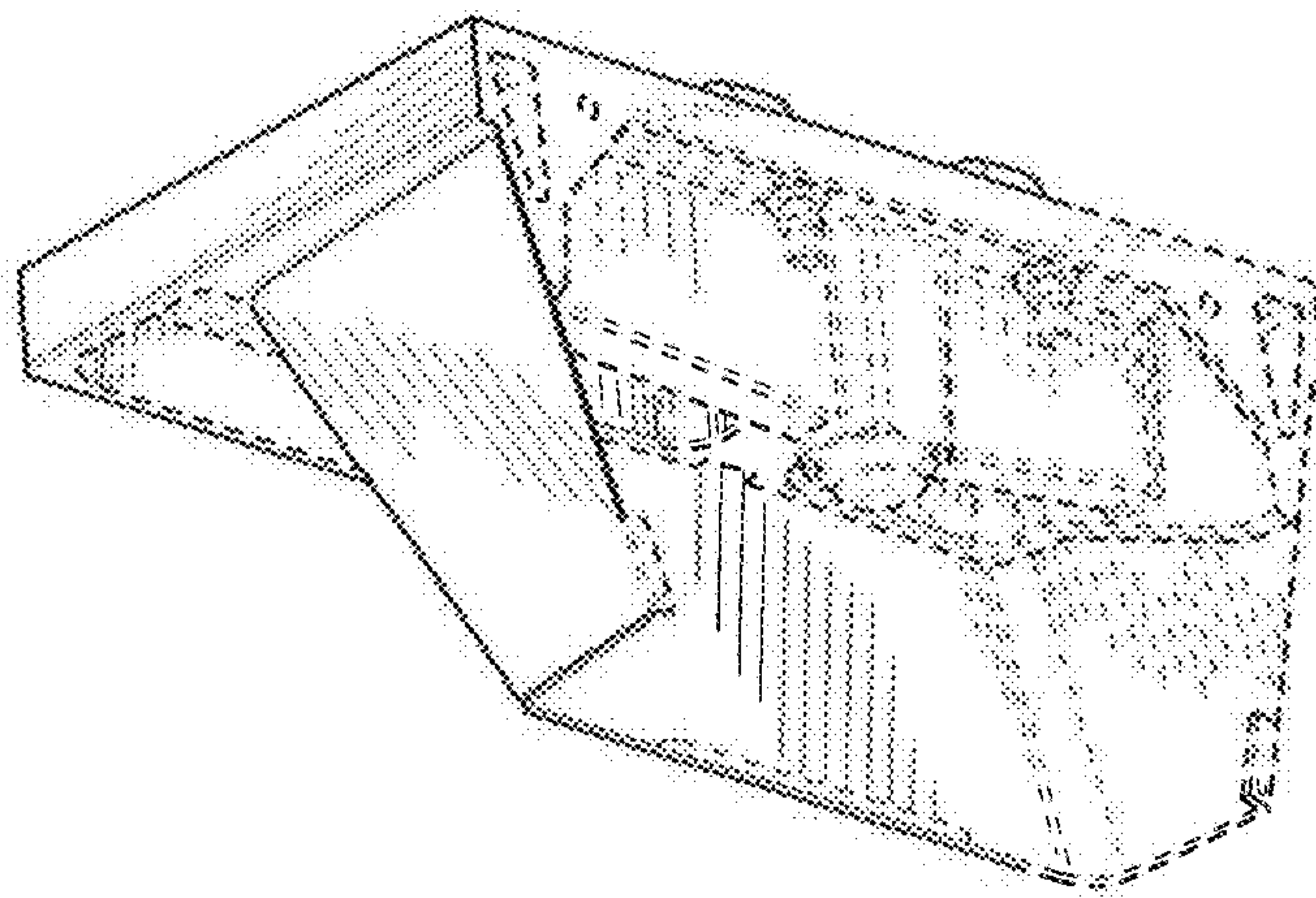


FIG. 10

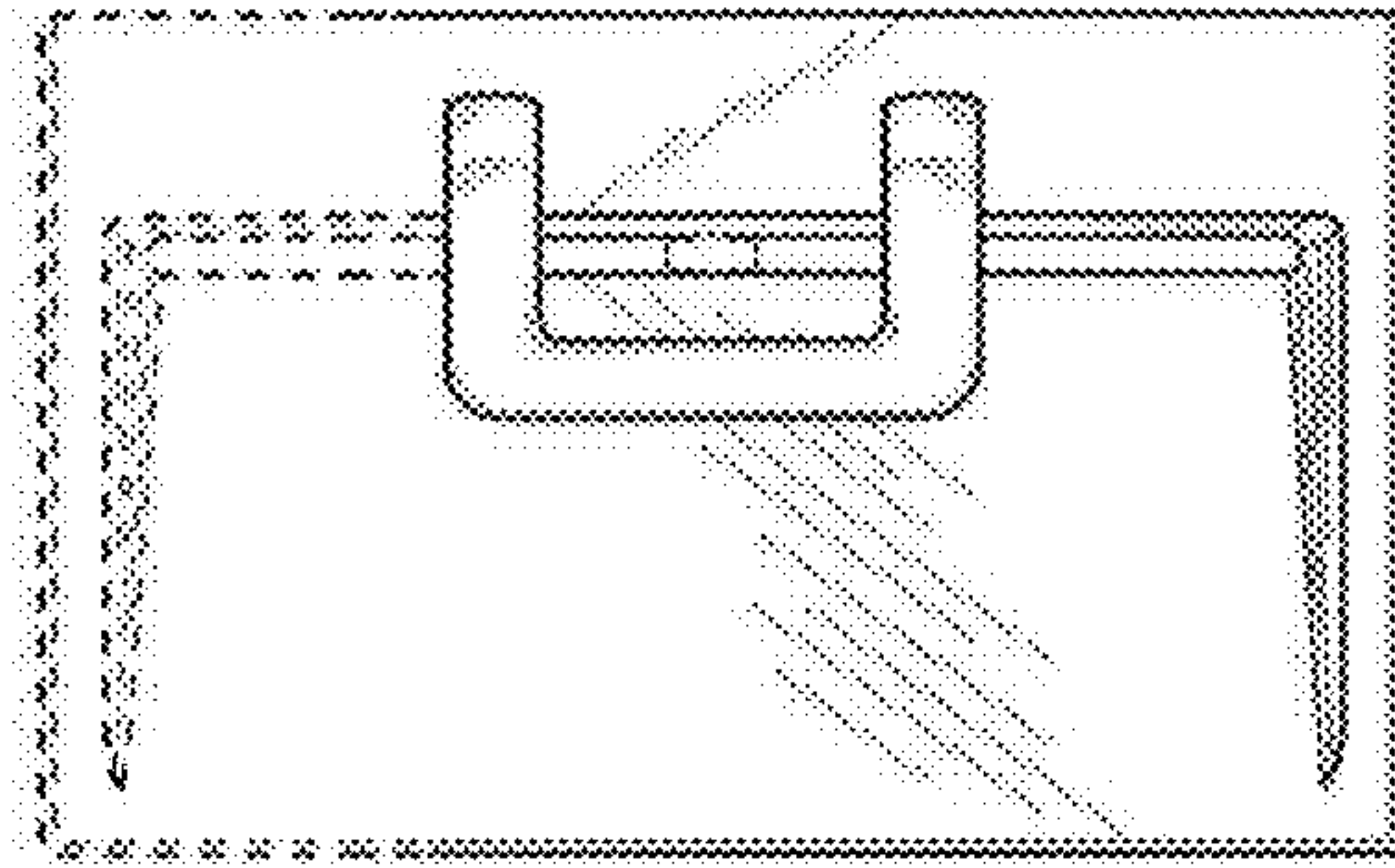


FIG. 11

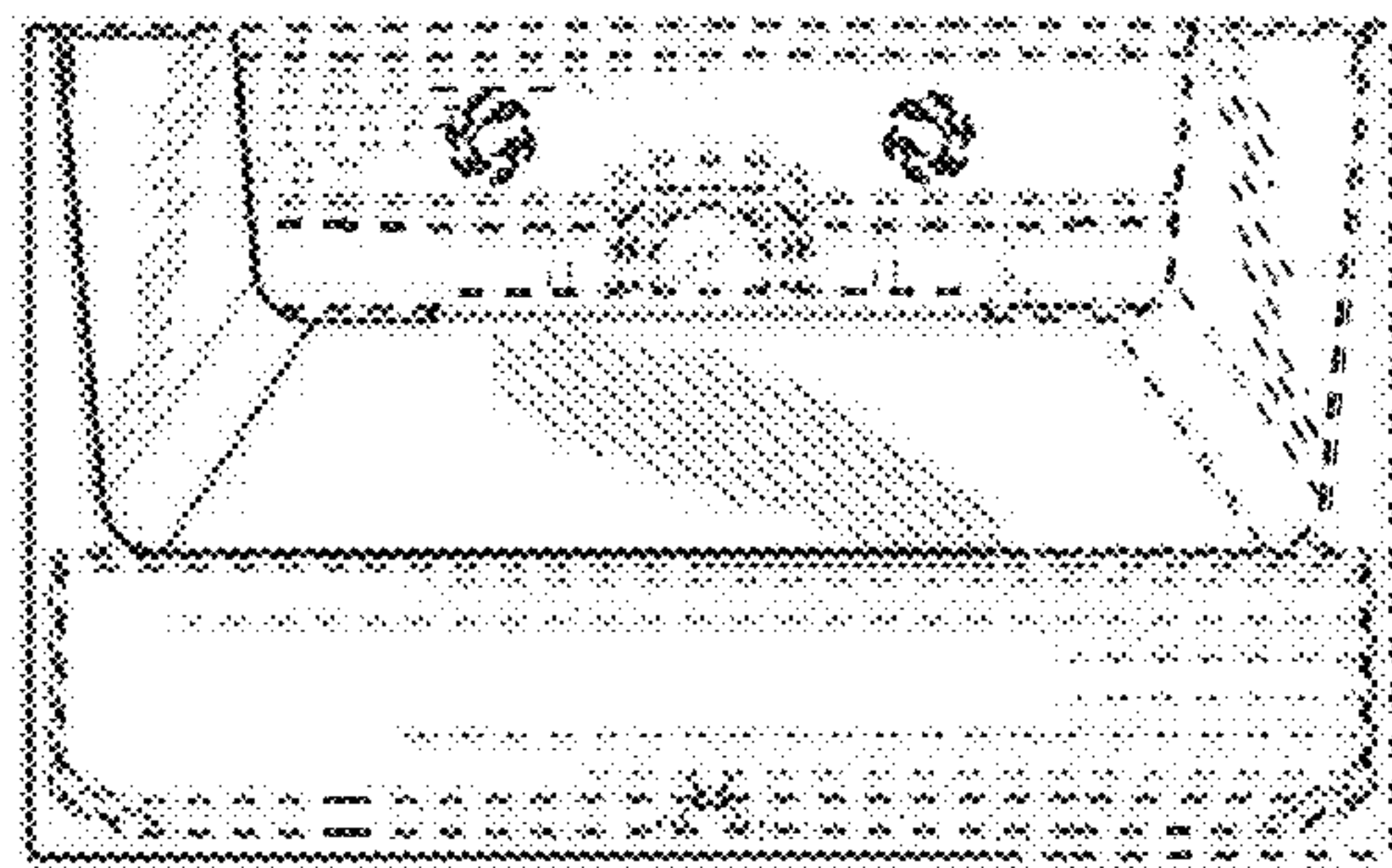


FIG. 12

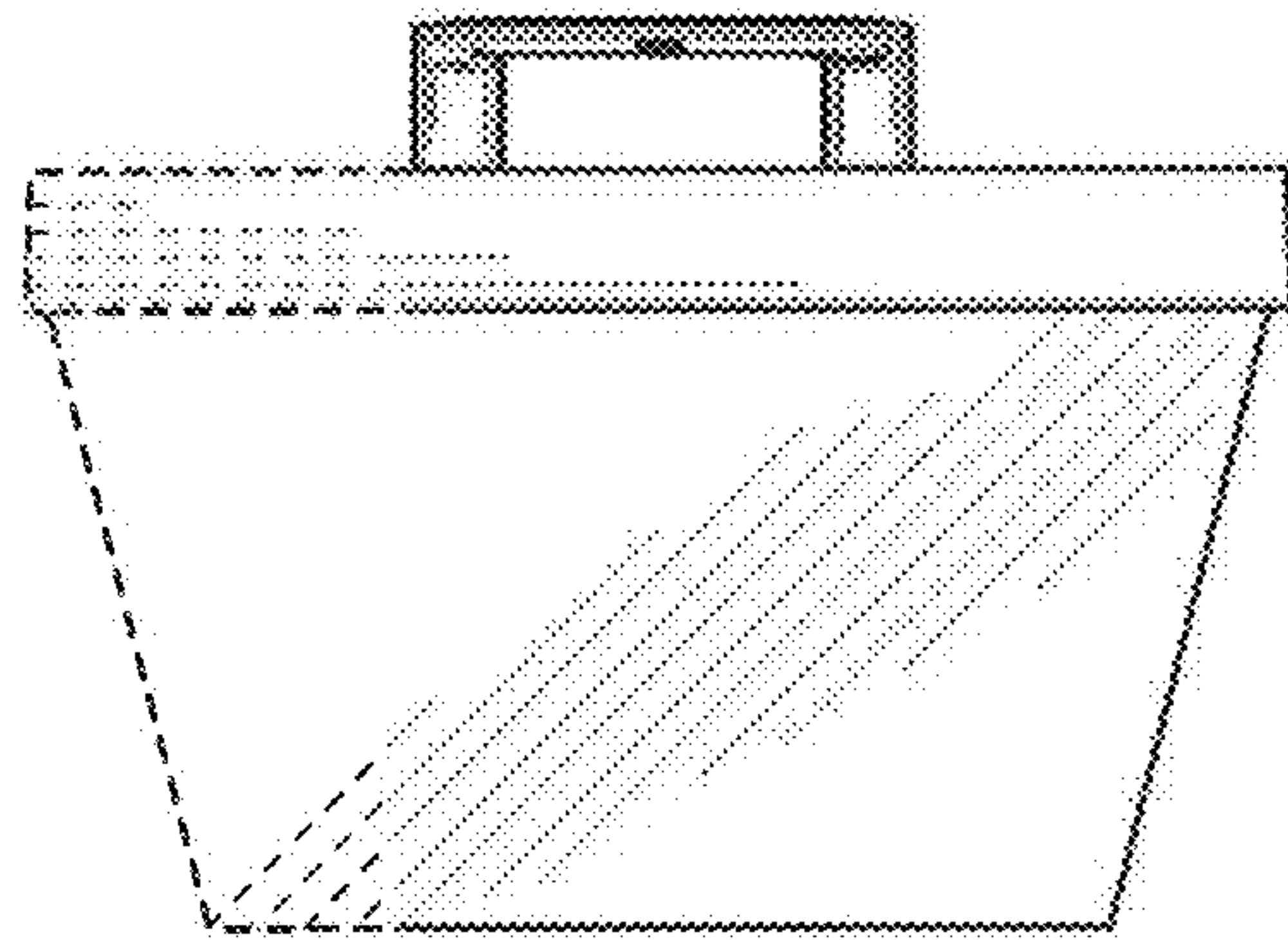


FIG. 13

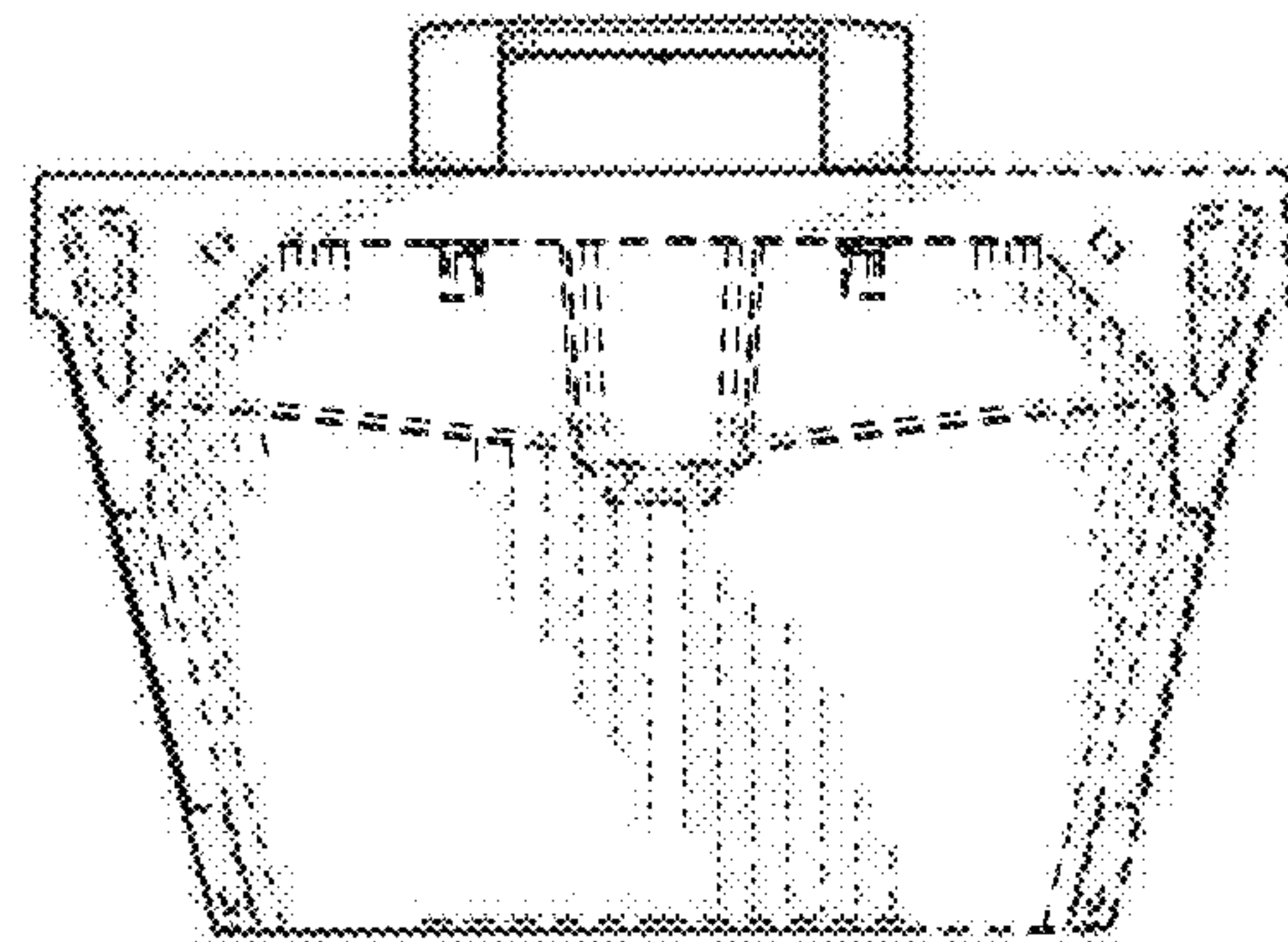


FIG. 14

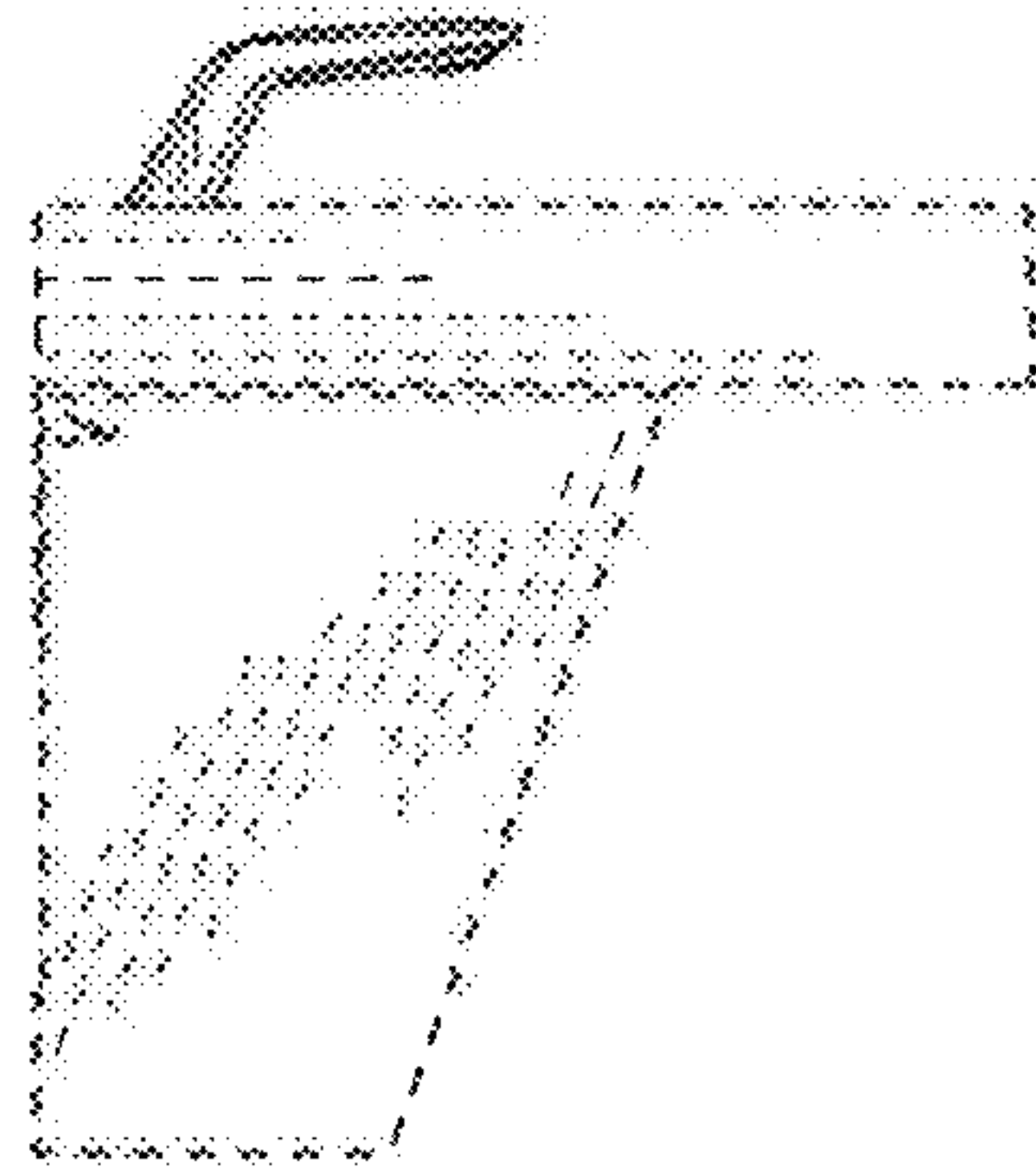


FIG. 15

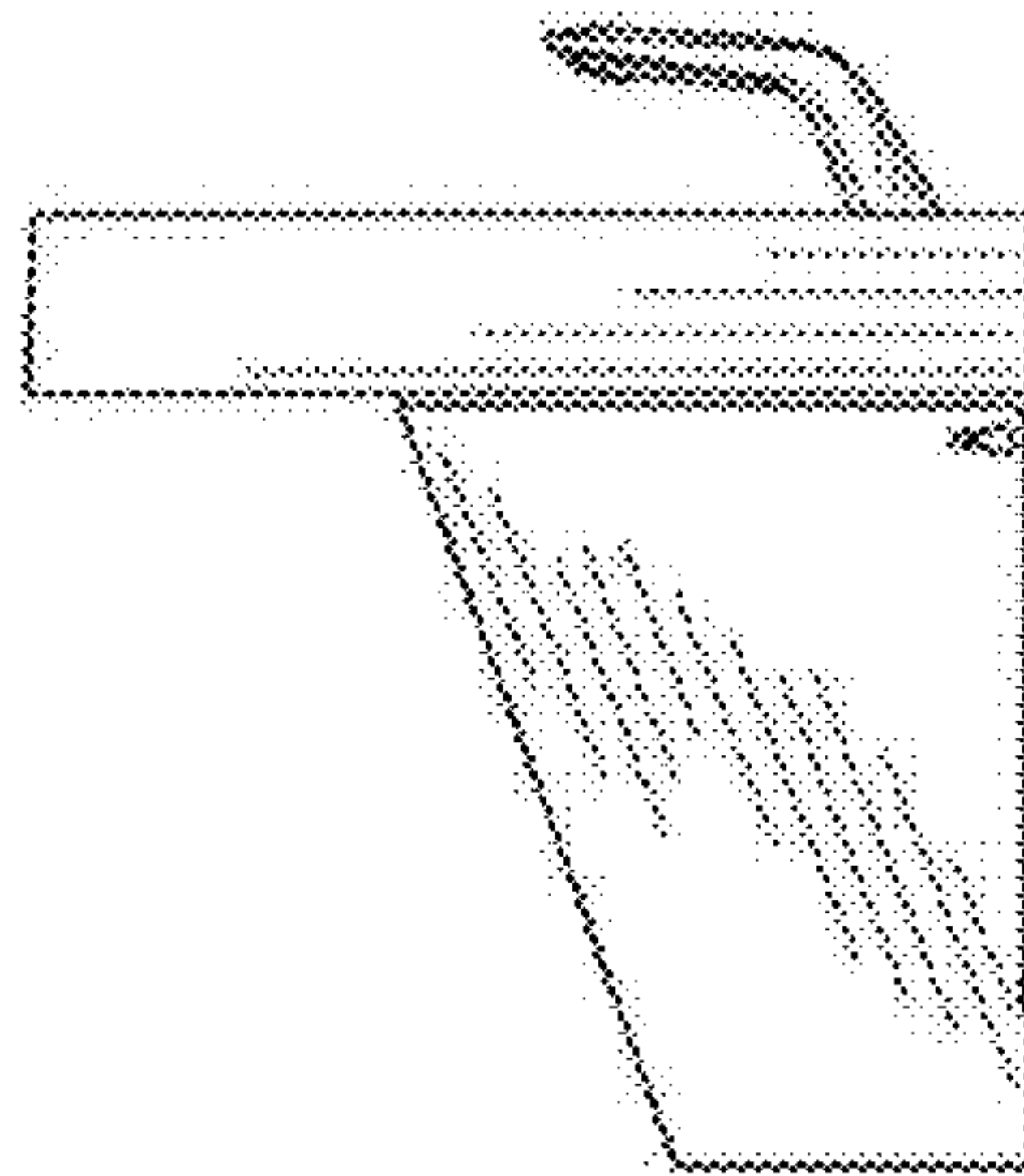


FIG. 16