



US00D823996S

(12) **United States Design Patent**
Murray et al.

(10) **Patent No.:** **US D823,996 S**
(45) **Date of Patent:** **** Jul. 24, 2018**

- (54) **LAVATORY SYSTEM**
- (71) Applicant: **Bradley Fixtures Corporation**,
Menomonee Falls, WI (US)
- (72) Inventors: **Chris Murray**, Chicao, IL (US); **Trevis Kurz**, Chicago, IL (US); **Cassandra Anne Schneider**, Oconomowoc, WI (US); **William L. Haas**, Richfield, WI (US); **Jason Thomas Dodge**, Waukesha, WI (US)
- (73) Assignee: **Bradley Fixtures Corporation**,
Menomonee Falls, WI (US)

D629,877 S *	12/2010	Rundberg	D23/308
D687,530 S *	8/2013	McGuire	D23/308
D691,248 S *	10/2013	McGuire	D23/308
D735,838 S *	8/2015	Bartlett	D23/290
D745,120 S *	12/2015	Adkison	D23/284

* cited by examiner

Primary Examiner — Robert A Delehanty
(74) *Attorney, Agent, or Firm* — Boyle Fredrickson, S.C.

(57) **CLAIM**

The ornamental design for lavatory system, substantially as shown and described.

DESCRIPTION

FIG. 1 is a front, raised perspective view of a lavatory system showing a basin;
 FIG. 2 is a rear, lowered perspective view of the lavatory system according to FIG. 1;
 FIG. 3 is a top view of the lavatory system according to FIG. 1;
 FIG. 4 is bottom view of the lavatory system according to FIG. 1;
 FIG. 5 is a front view of the lavatory system according to FIG. 1;
 FIG. 6 is a rear view of the lavatory system according to FIG. 1;
 FIG. 7 is a left side view of the lavatory system according to FIG. 1; and,
 FIG. 8 is a right side view of the lavatory system according to FIG. 1.

The broken lines shown in the drawings form no part of the claimed design. The surface shading illustrated in the drawings is provided merely to highlight the contour of the design and is not part of the claimed design. All surfaces not shown form no part of the claimed design.

- (**) Term: **15 Years**
- (21) Appl. No.: **29/616,994**
- (22) Filed: **Sep. 11, 2017**

Related U.S. Application Data

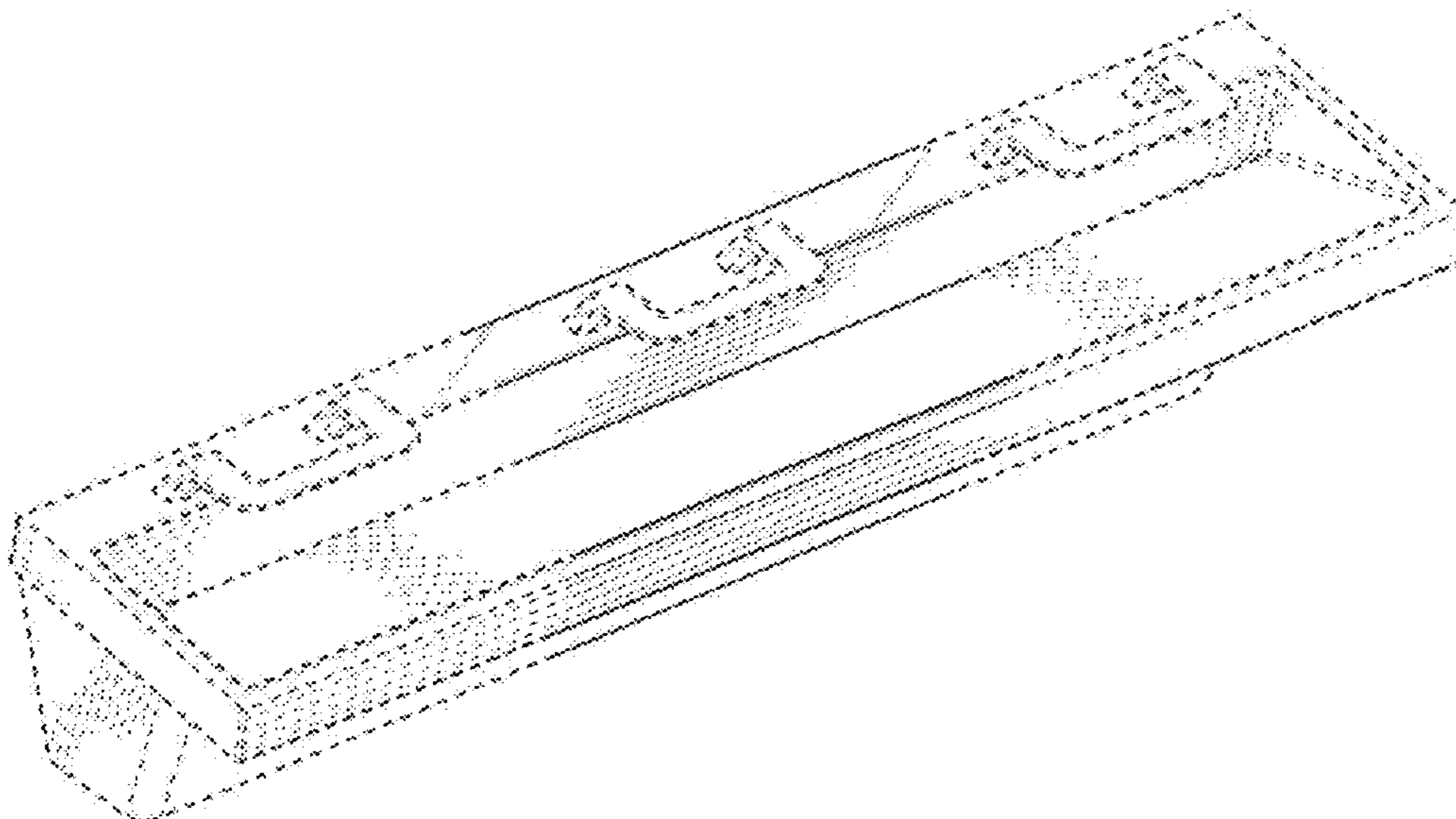
- (62) Division of application No. 29/559,402, filed on Mar. 28, 2016, now Pat. No. Des. 813,360.
- (51) **LOC (11) Cl.** **23-01**
- (52) **U.S. Cl.**
USPC **D23/308**
- (58) **Field of Classification Search**
USPC D23/284, 293.1, 308, 286–287, 291–292,
D23/303
CPC A47K 5/1217; A47K 10/48
See application file for complete search history.

(56) **References Cited**

U.S. PATENT DOCUMENTS

- D545,415 S * 6/2007 Tani D23/293.1
- D560,782 S * 1/2008 Marshall D23/293.1

1 Claim, 4 Drawing Sheets



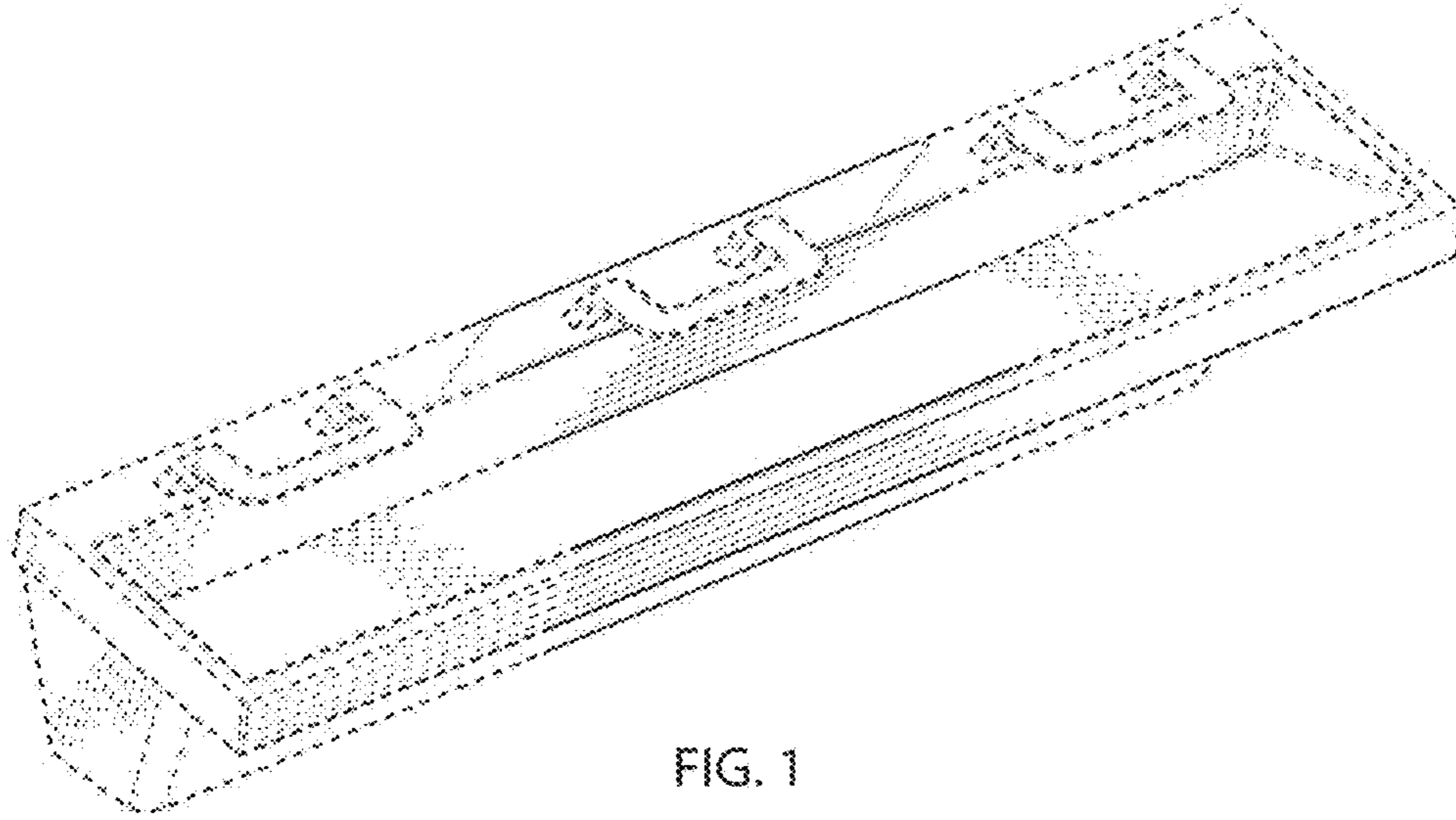


FIG. 1

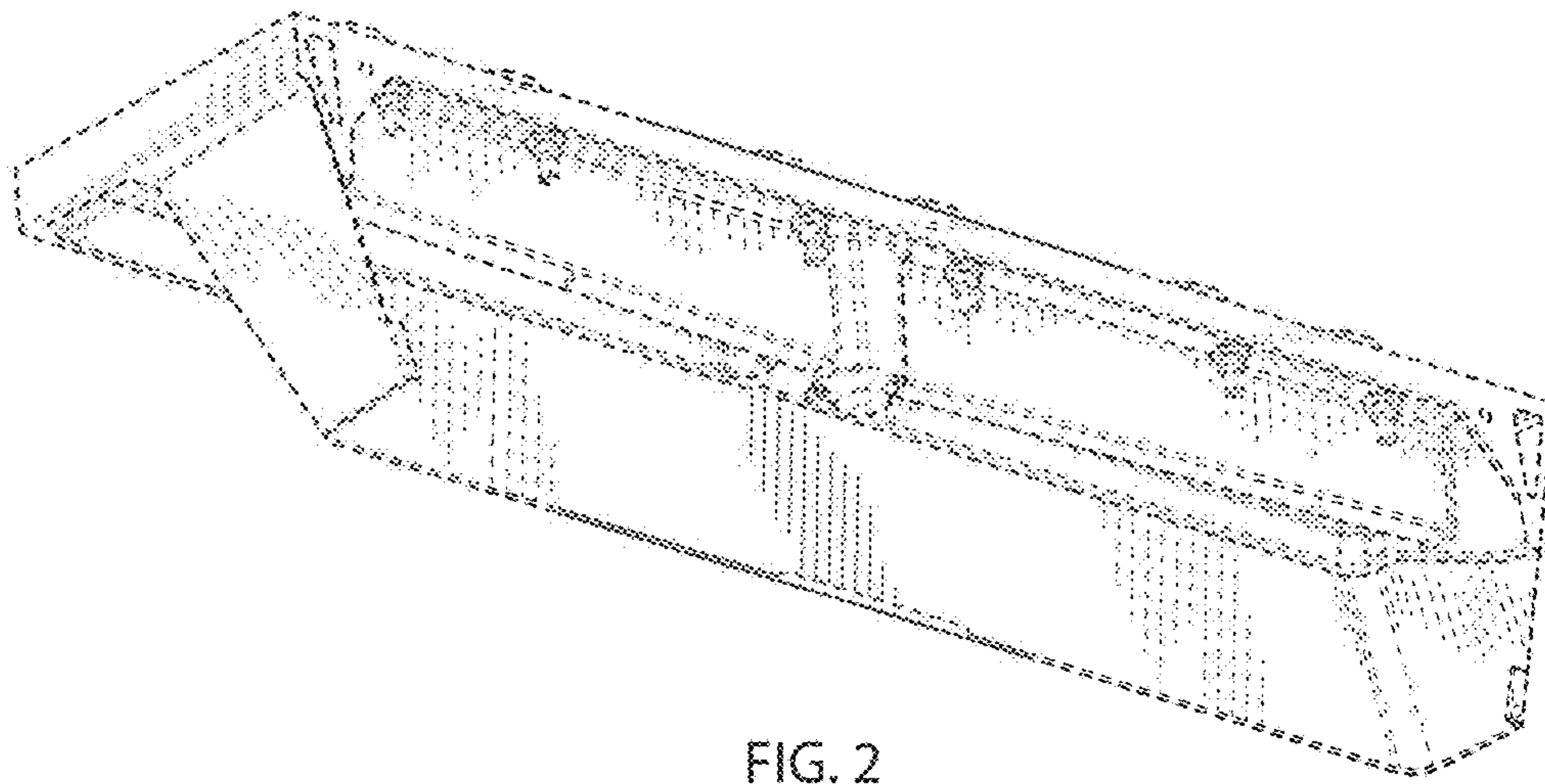


FIG. 2

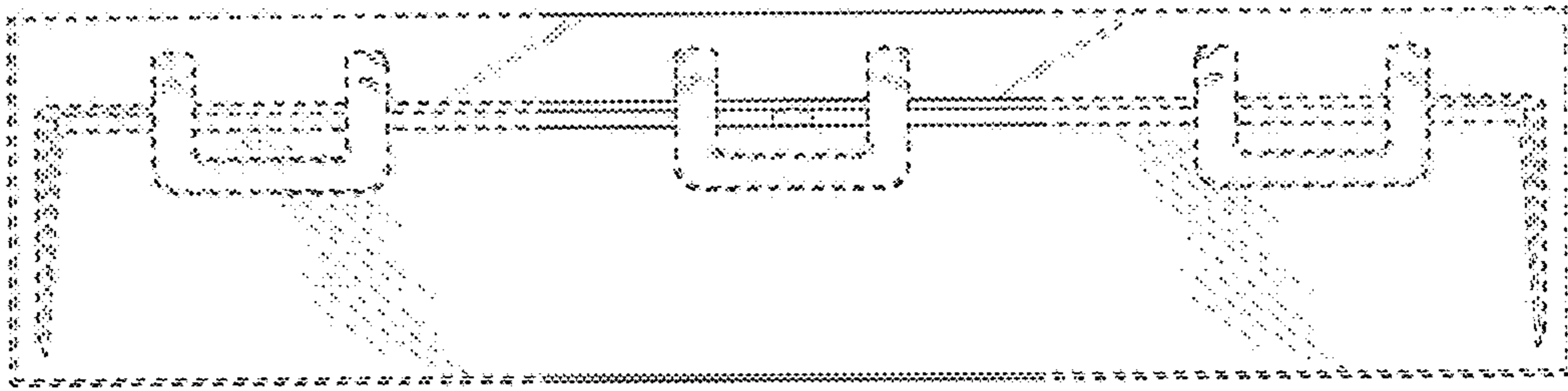


FIG. 3

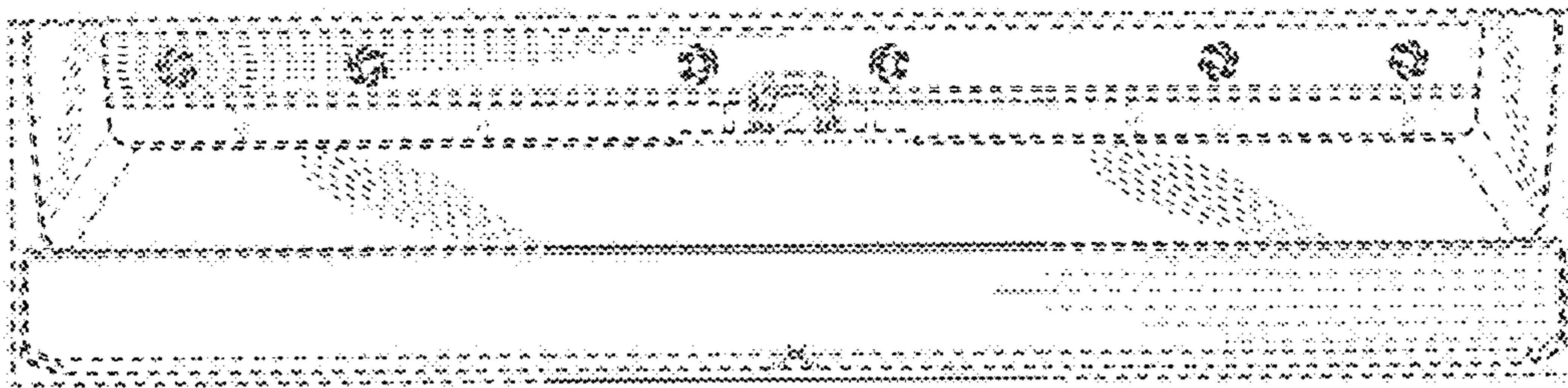


FIG. 4

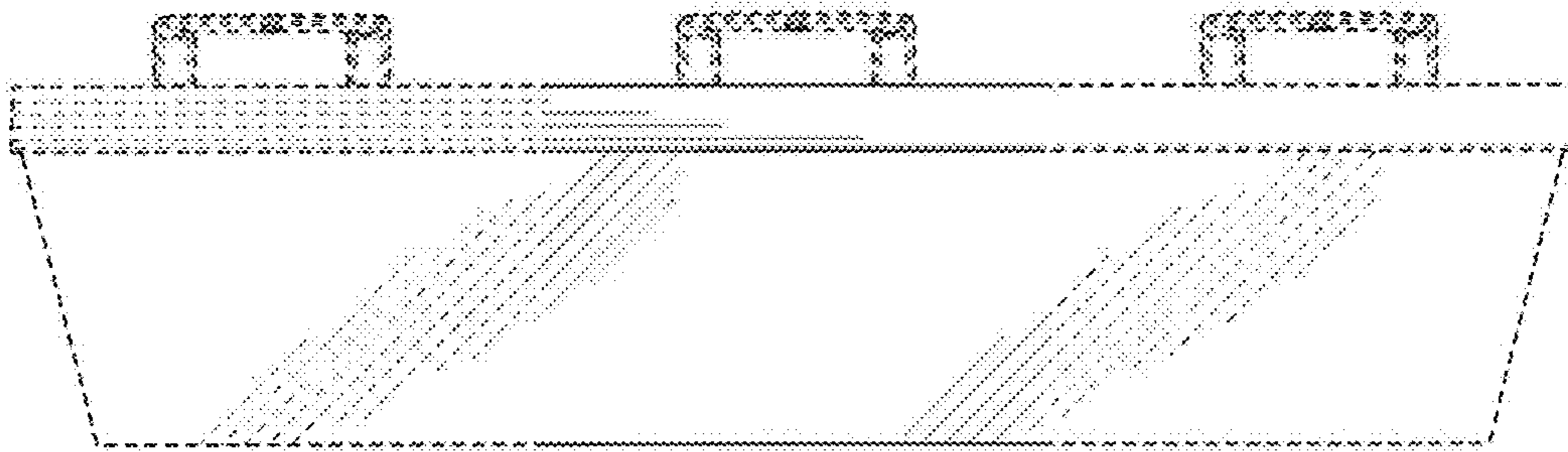


FIG. 5

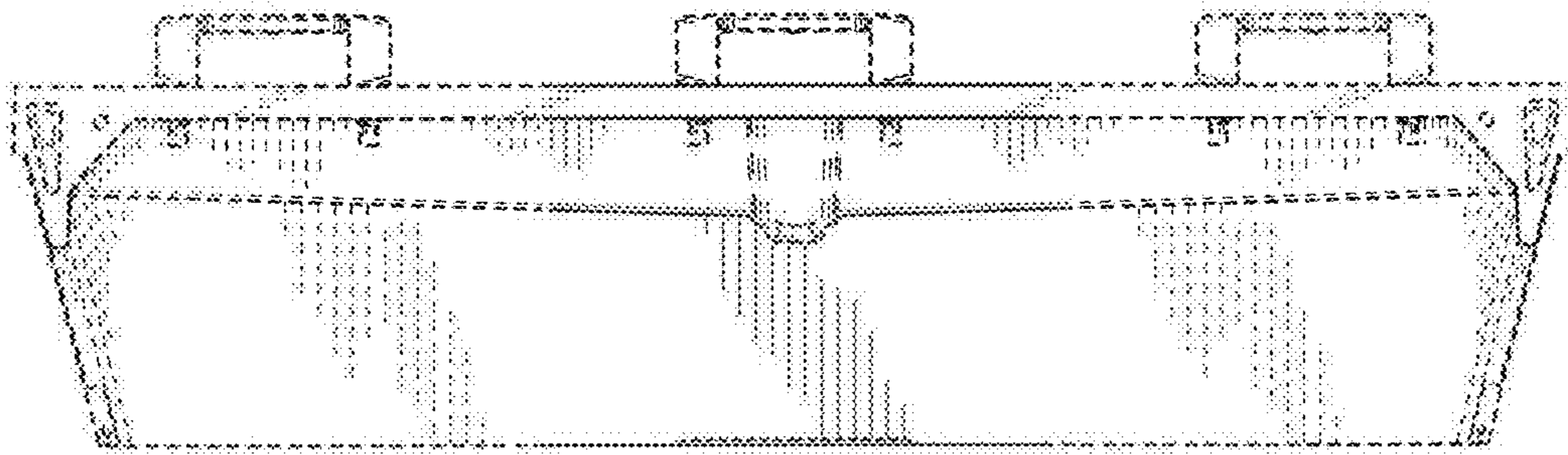


FIG. 6

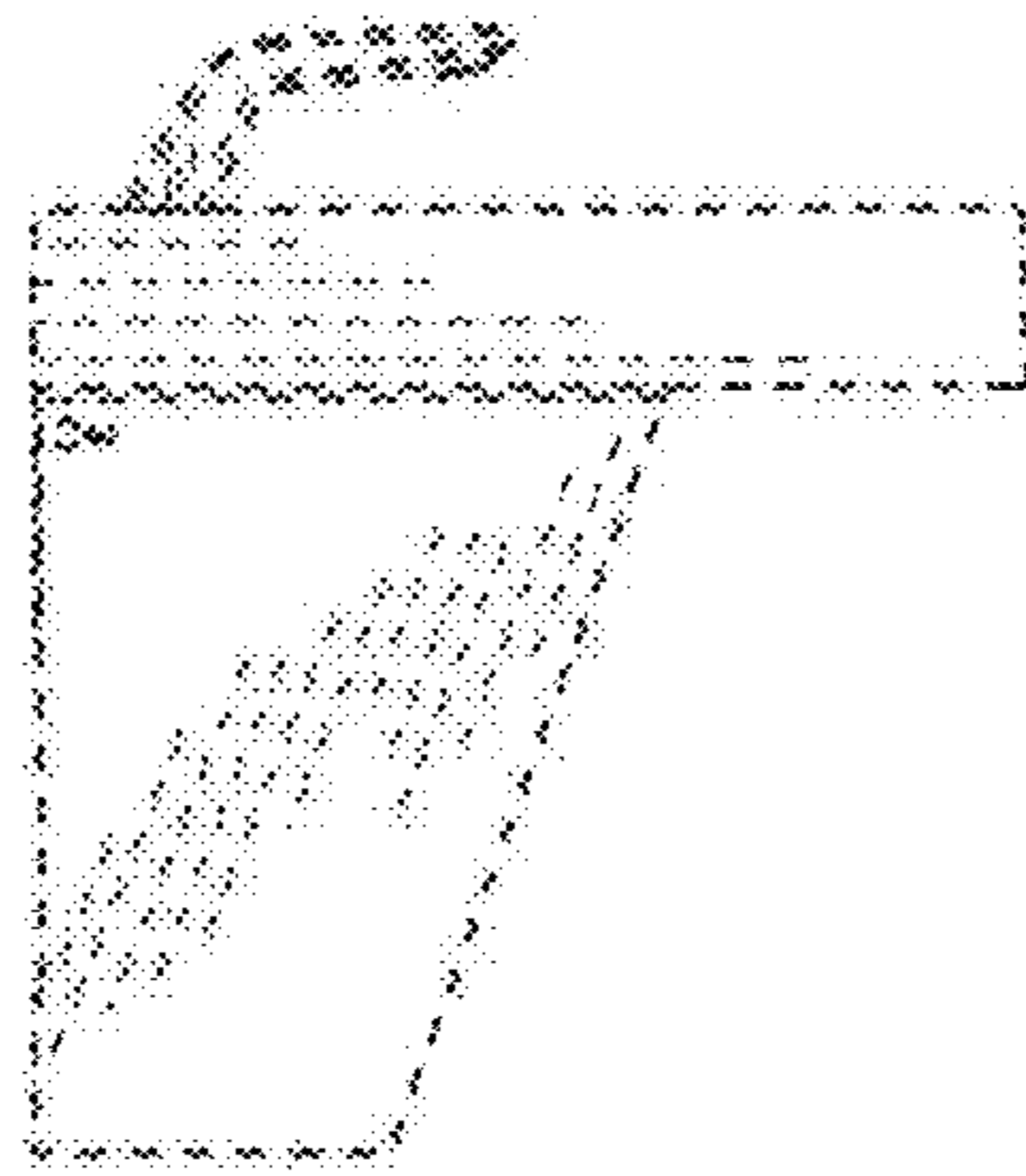


FIG. 7

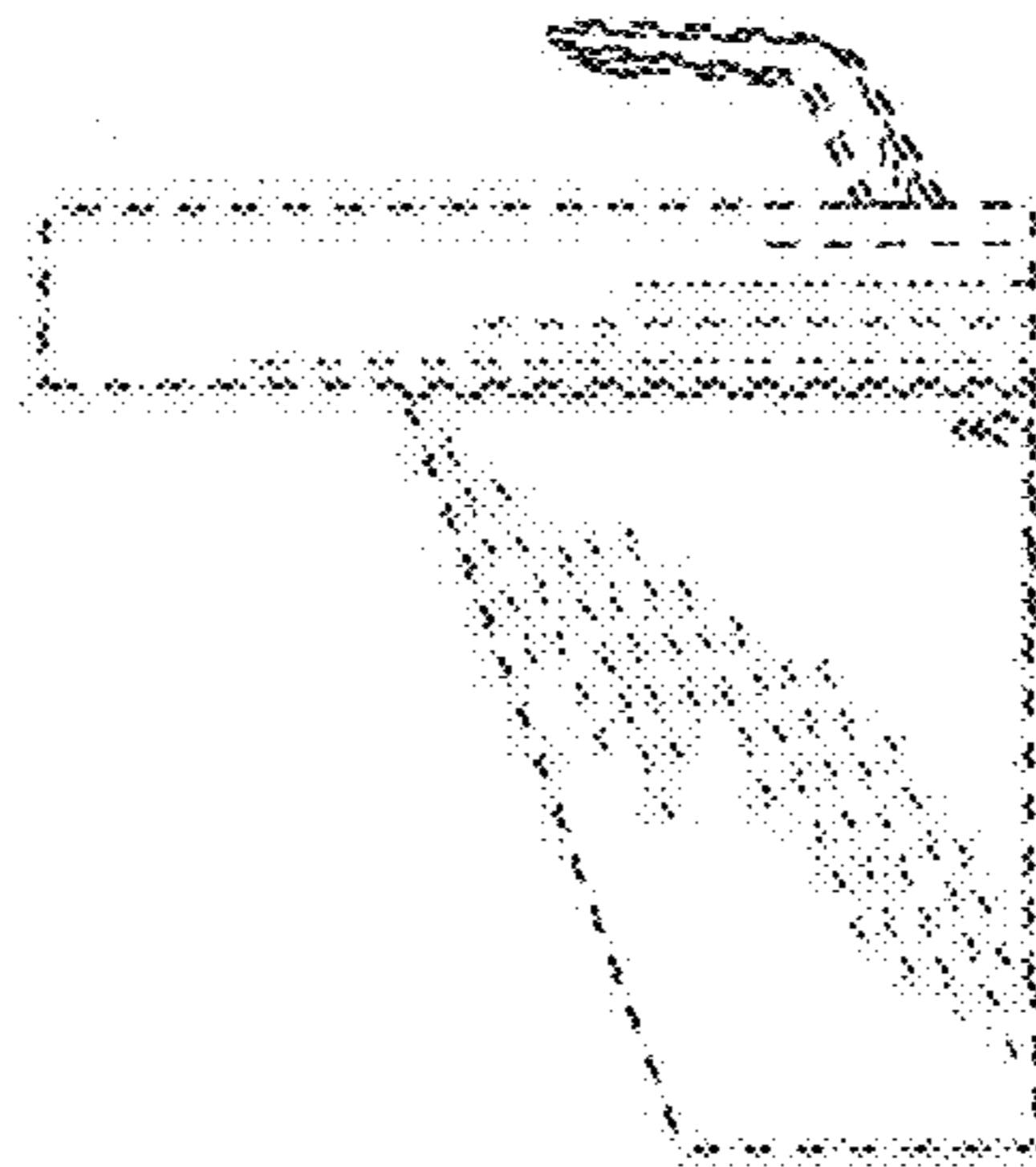


FIG. 8