



US00D823995S

(12) **United States Design Patent** (10) **Patent No.:** **US D823,995 S**  
**Garrels et al.** (45) **Date of Patent:** **\*\* Jul. 24, 2018**

(54) **TOILET**  
(71) Applicant: **Kohler Co.**, Kohler, WI (US)  
(72) Inventors: **Clayton Garrels**, Kohler, WI (US);  
**Carlos Uceda**, Sheboygan, WI (US)  
(73) Assignee: **KOHLER CO.**, Kohler, WI (US)  
(\*\*) Term: **15 Years**  
(21) Appl. No.: **29/624,376**  
(22) Filed: **Oct. 31, 2017**

D530,834 S 10/2006 Navare  
D576,716 S 9/2008 Kaule  
D578,929 S 10/2008 White  
(Continued)

**OTHER PUBLICATIONS**

Kohler Memoirs Toilet found online [Mar. 28, 2017]—<https://www.us.kohler.com/us/memoirs-wallhung-w-toilets/productDetail/toilets/1345380.htm?skuId=1345344&brandId=430029>.  
(Continued)

*Primary Examiner* — Brandon M Rosati  
*Assistant Examiner* — John A Voytek  
(74) *Attorney, Agent, or Firm* — Foley & Lardner LLP

**Related U.S. Application Data**

(62) Division of application No. 29/590,113, filed on Jan. 6, 2017.  
(51) **LOC (11) Cl.** ..... **23-02**  
(52) **U.S. Cl.**  
USPC ..... **D23/300**  
(58) **Field of Classification Search**  
USPC ..... D23/295–301, 303, 309, 313  
CPC ..... A47K 11/02; A47K 11/026; A47K 11/00;  
A47K 13/00; E03D 11/18; E03D 5/10;  
E03D 13/00  
See application file for complete search history.

(57) **CLAIM**

We claim the ornamental design for a toilet, as shown and described.

**DESCRIPTION**

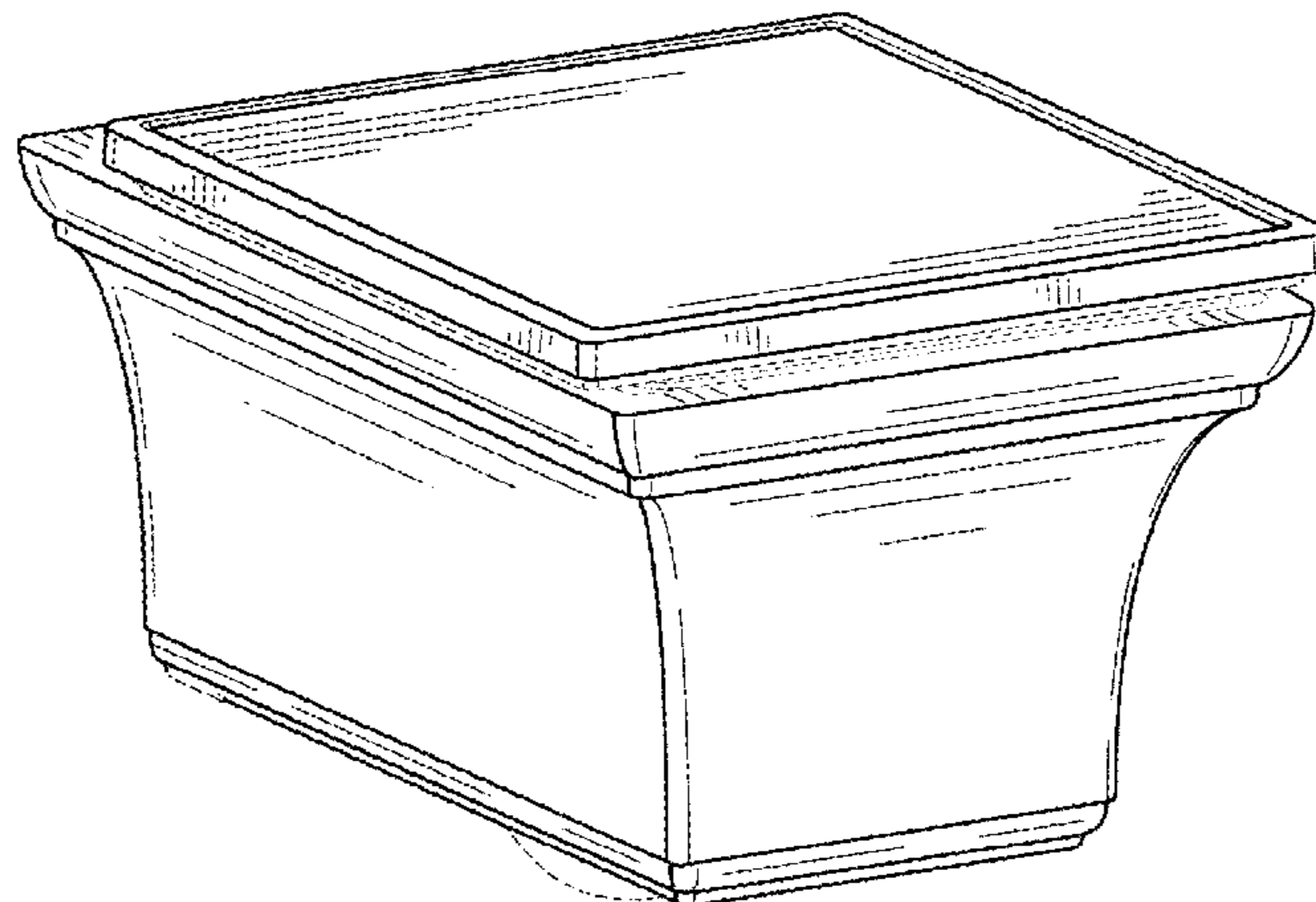
FIG. 1 is a perspective view of an embodiment of the claimed design;  
FIG. 2 is a front view of the design shown in FIG. 1;  
FIG. 3 is a top view of the design shown in FIG. 1;  
FIG. 4 is a side view of the design shown in FIG. 1;  
FIG. 5 is another side view of the design shown in FIG. 1;  
FIG. 6 is a perspective view of another embodiment of the claimed design;  
FIG. 7 is a front view of the design shown in FIG. 6;  
FIG. 8 is a top view of the design shown in FIG. 6;  
FIG. 9 is a side view of the design shown in FIG. 6; and,  
FIG. 10 is another side view of the design shown in FIG. 6.  
The ornamental design which is claimed is shown in solid lines in the drawings. In the drawings, the broken lines depict environmental subject matter only and form no part of the claimed design. The dot and dashed lines indicate a boundary between the claimed and unclaimed portion of the design.

(56) **References Cited**

**U.S. PATENT DOCUMENTS**

D19,850 S \* 5/1890 Blesch ..... D23/313  
538,168 A 4/1895 Keeler  
D221,652 S \* 8/1971 Burton ..... D23/295  
D288,590 S \* 3/1987 Stairs, Jr. .... D23/295  
D416,644 S 11/1999 Swope  
D494,667 S 8/2004 Kergoet  
D503,813 S 4/2005 Steffes  
D509,575 S 9/2005 Kergoet  
D509,601 S 9/2005 Rosian  
D509,602 S 9/2005 Rosian  
D514,713 S 2/2006 Rosian

**1 Claim, 6 Drawing Sheets**



(56)

**References Cited**

U.S. PATENT DOCUMENTS

D586,895 S     2/2009 Kergoet  
D612,026 S     3/2010 Soulier  
D615,173 S     5/2010 Arets  
D615,634 S     5/2010 Soulier  
D621,918 S     8/2010 Paterson et al.  
D640,777 S     6/2011 Heuberger  
D663,391 S     7/2012 Iranyl  
D683,828 S     6/2013 Newson  
D763,416 S \*   8/2016 Goad ..... D23/301

OTHER PUBLICATIONS

Kohler 2016 Price Book "Fixture" pp. 314-347.  
Kohler wall hung toilet reference found online [Aug. 22, 2017]—  
<https://www.kohler.co.uk/toilets/wall-hung/r%C3%A0ve-wall-hung-toilet-pan/>.  
"Architectural Depot" Corbel reference found online [Nov. 14, 2017]—  
<https://www.architecturaldepot.com/CB-307.html?id=625>.

\* cited by examiner

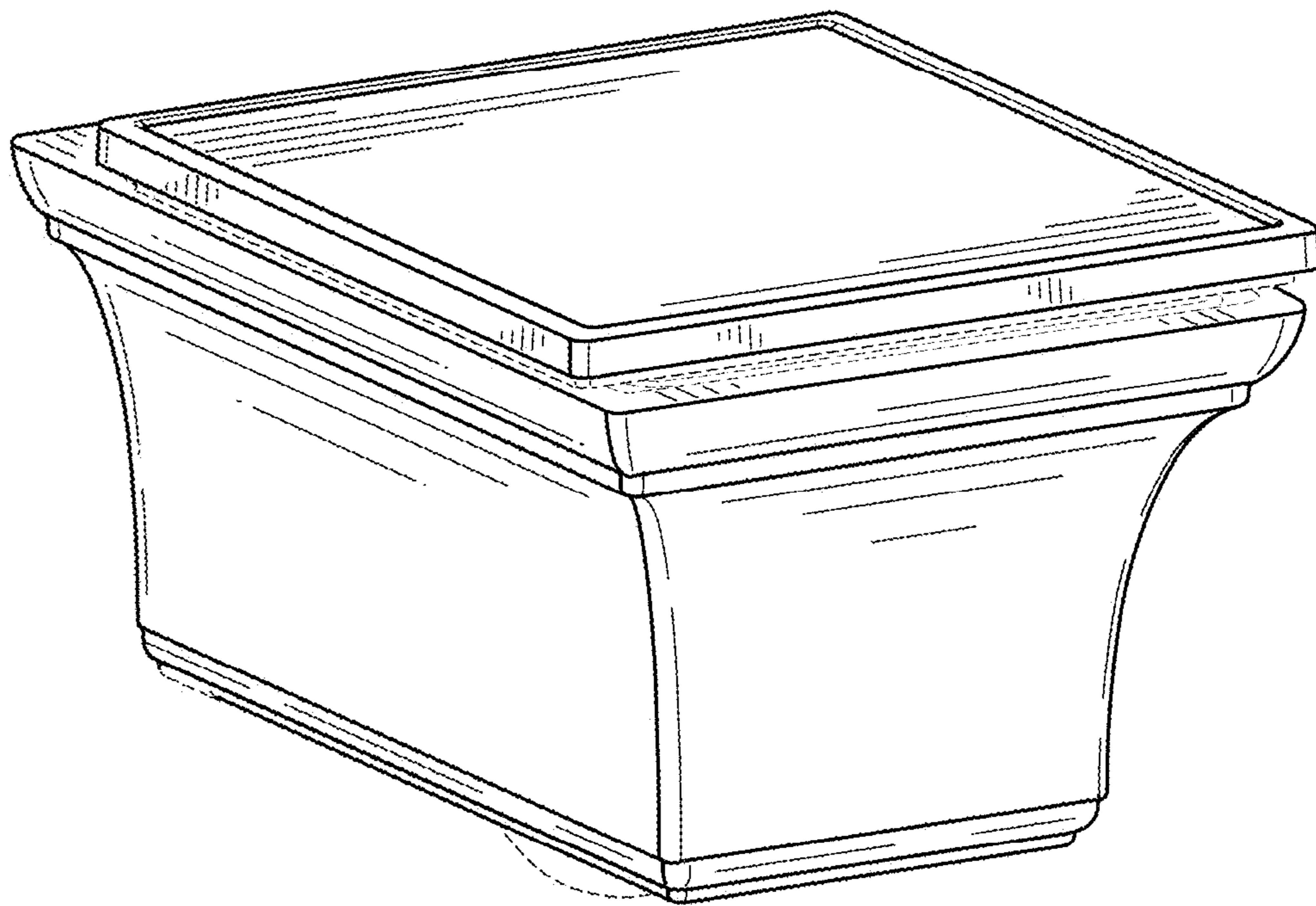


FIG. 1

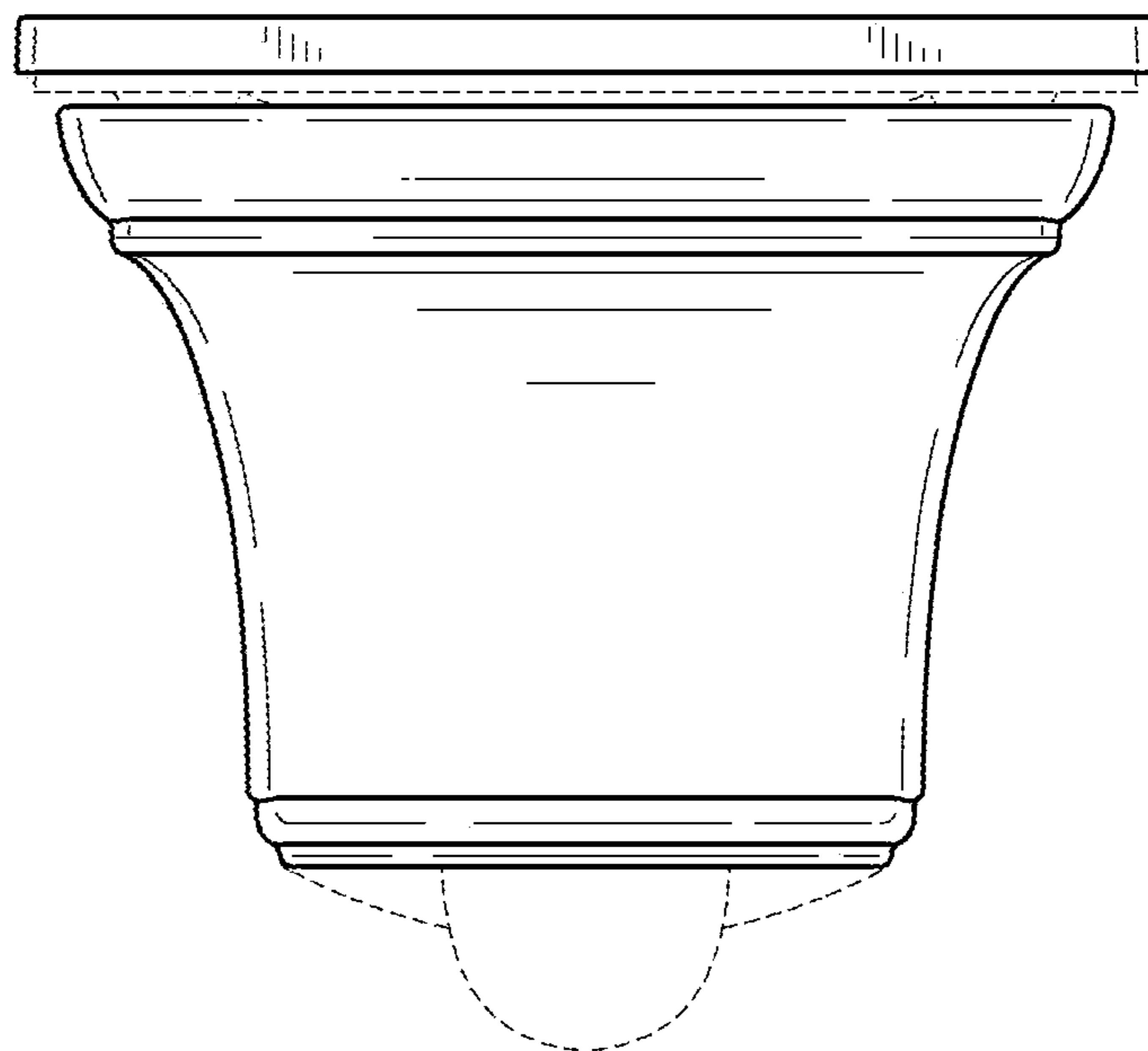


FIG. 2

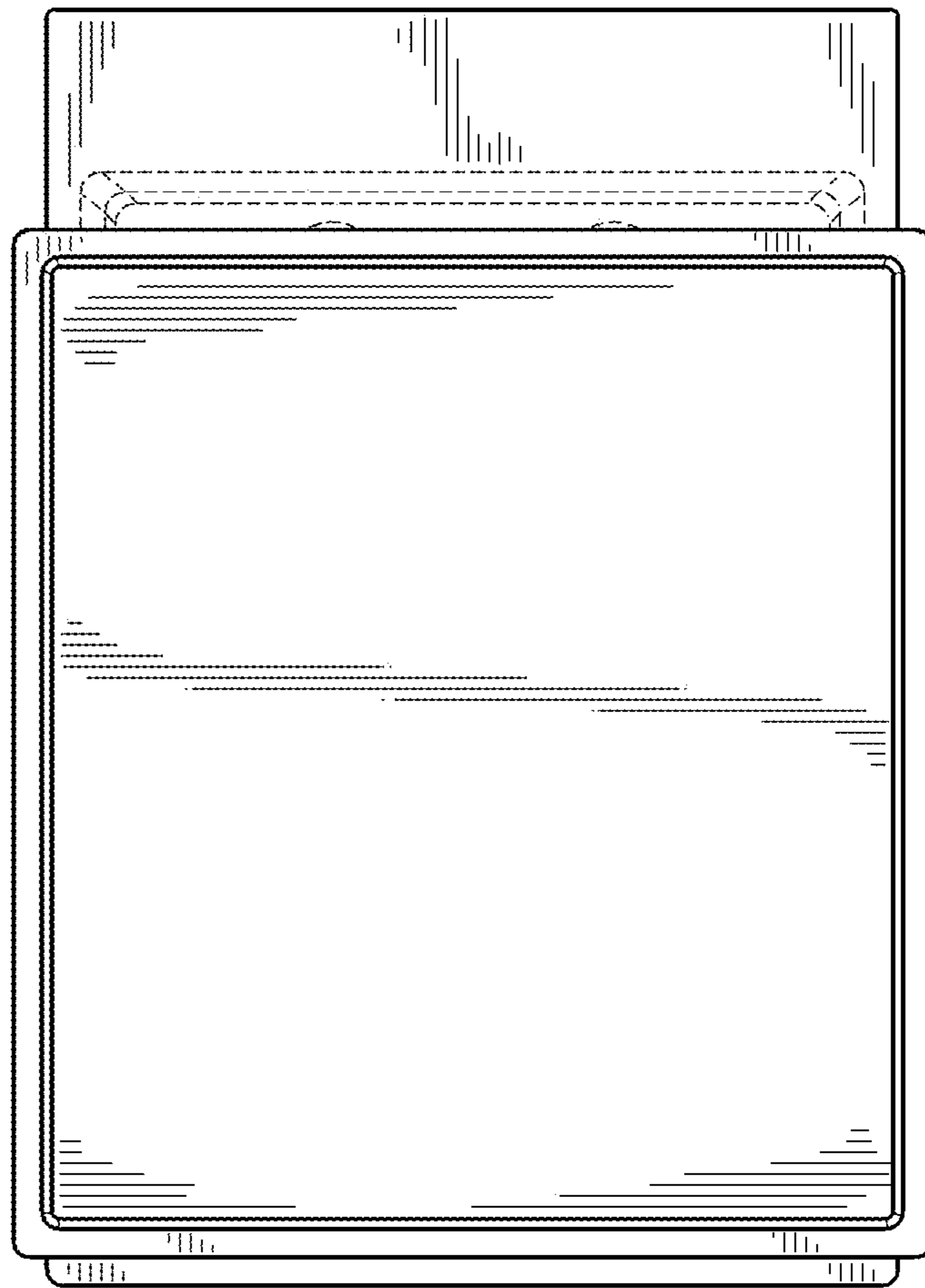


FIG. 3

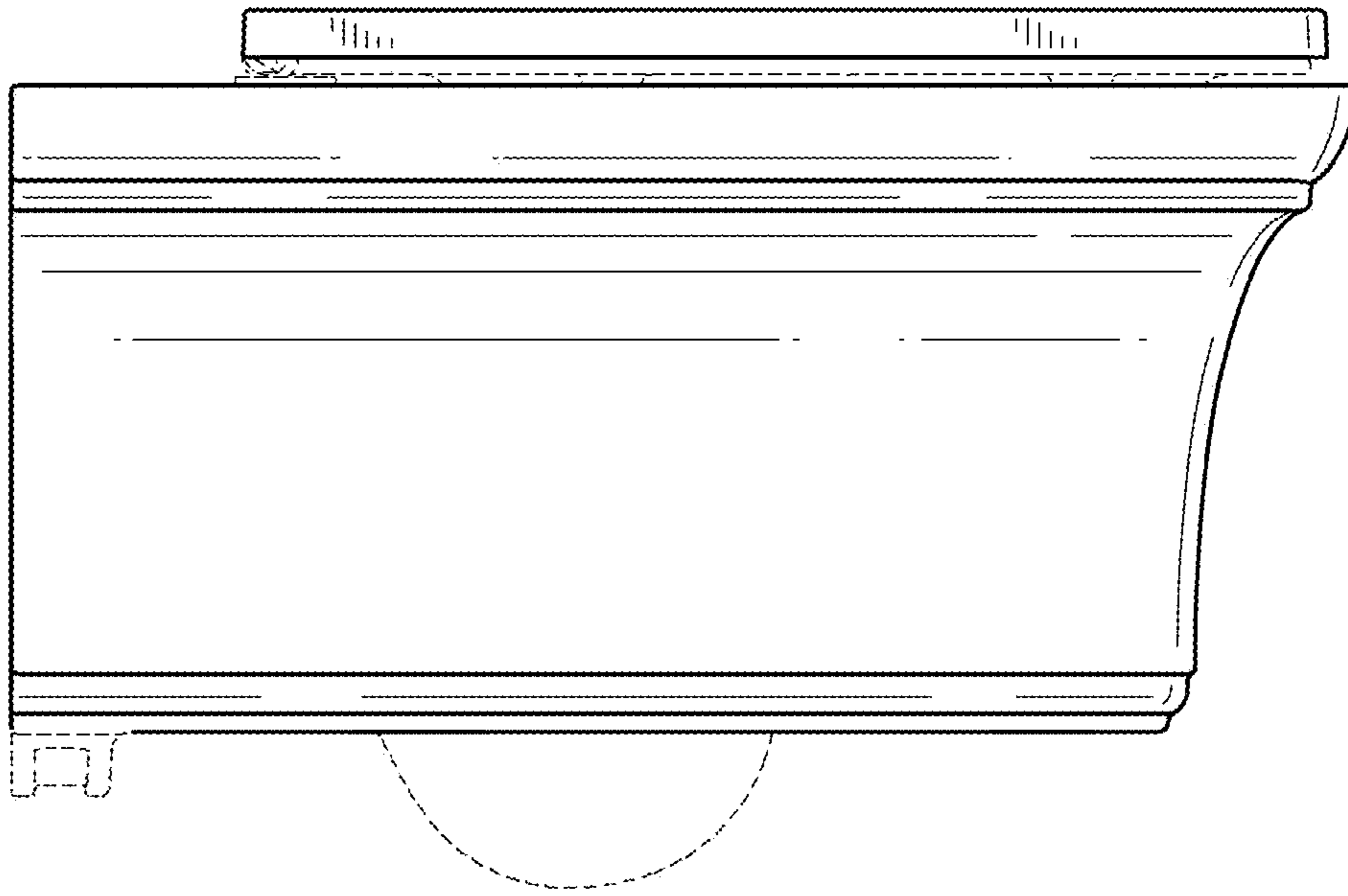


FIG. 4

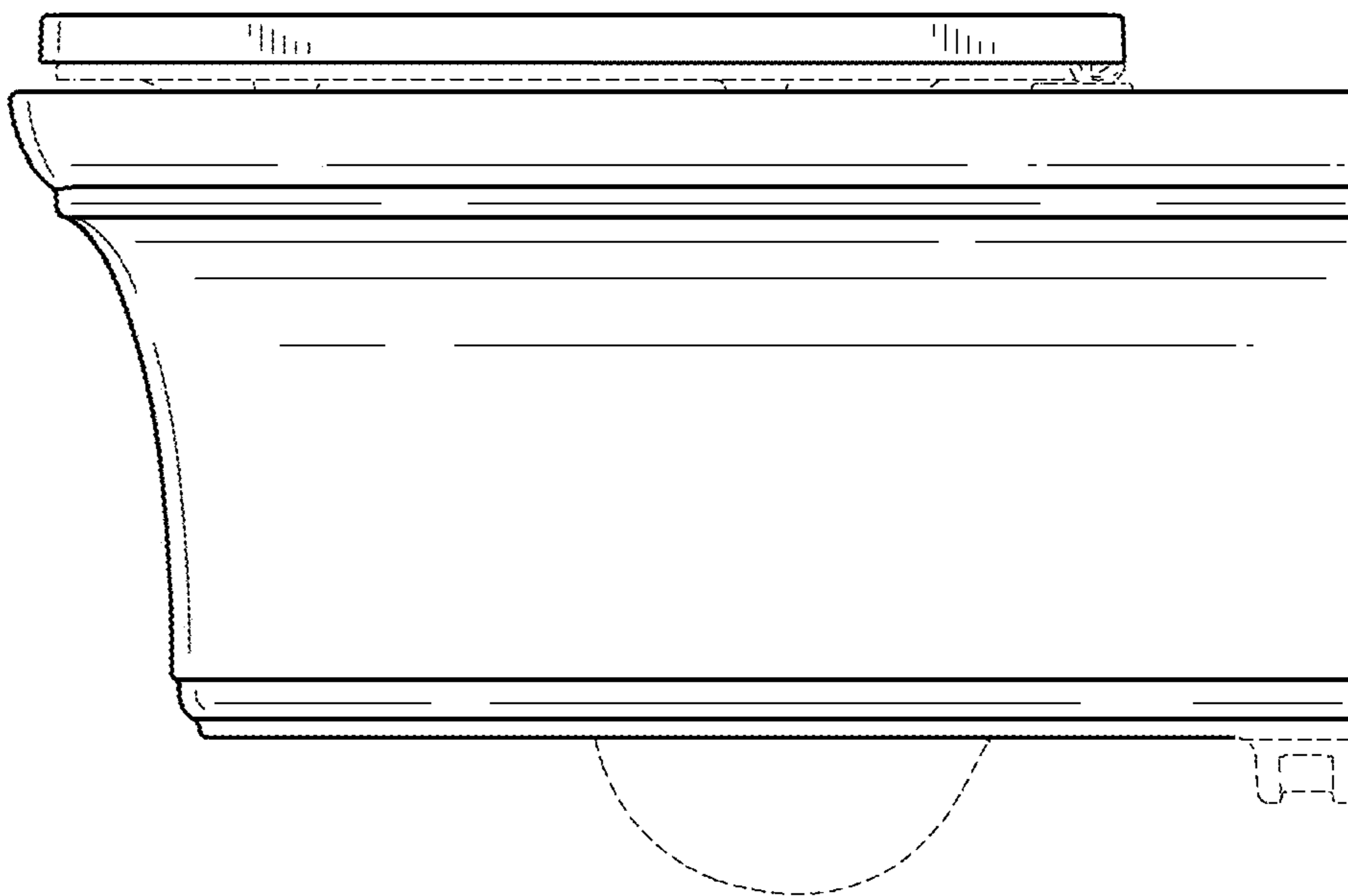


FIG. 5

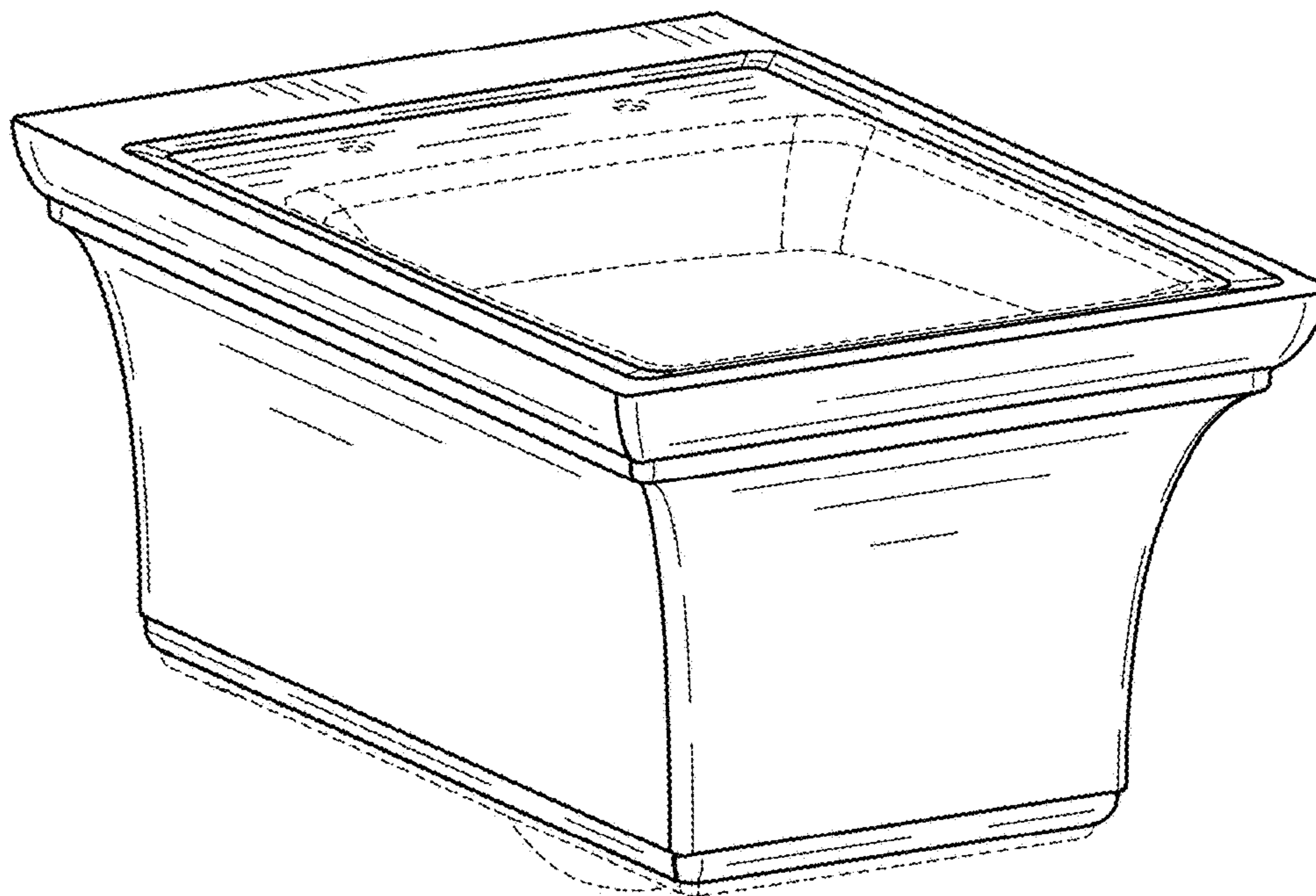


FIG. 6

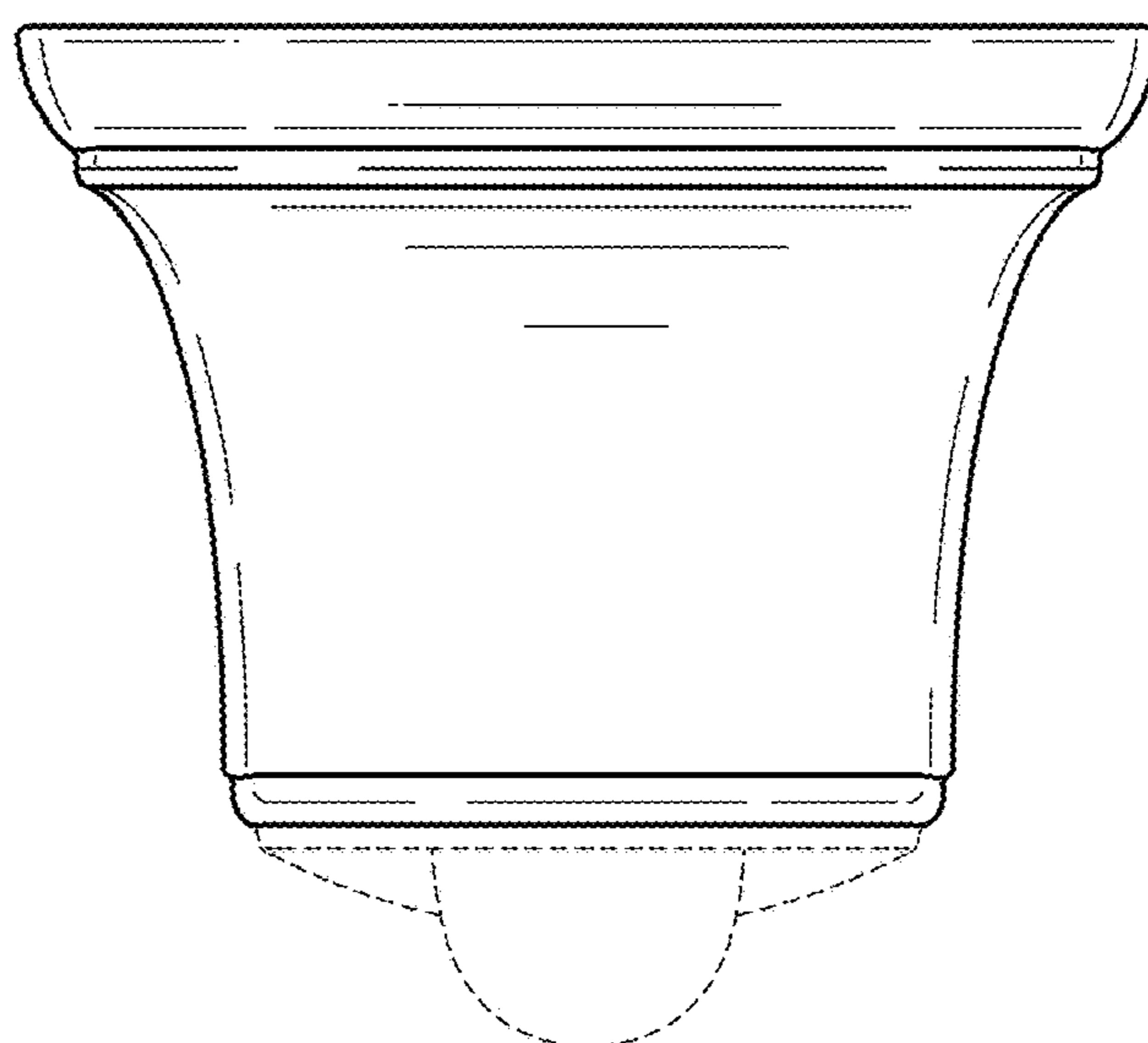


FIG. 7

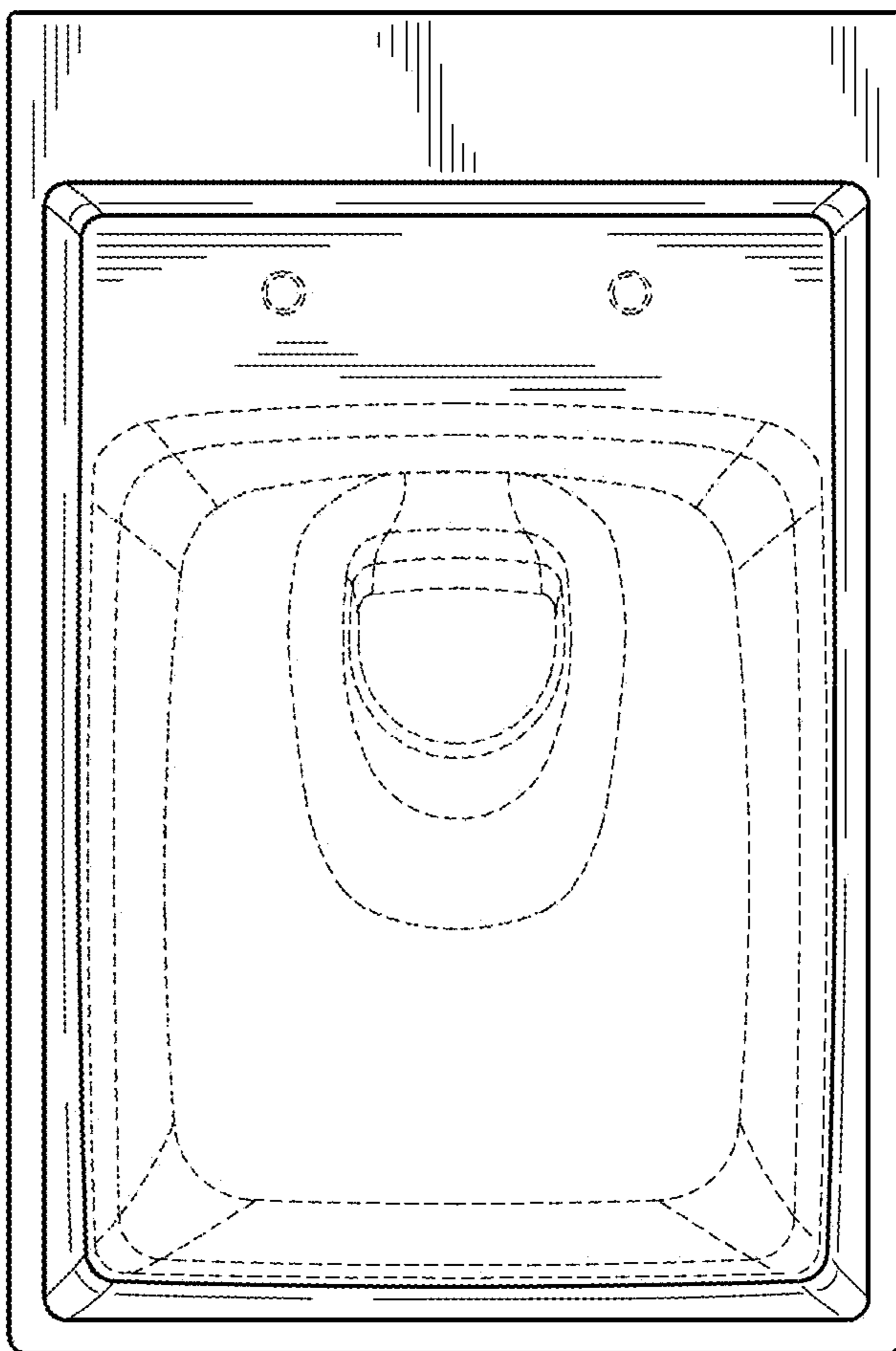


FIG. 8

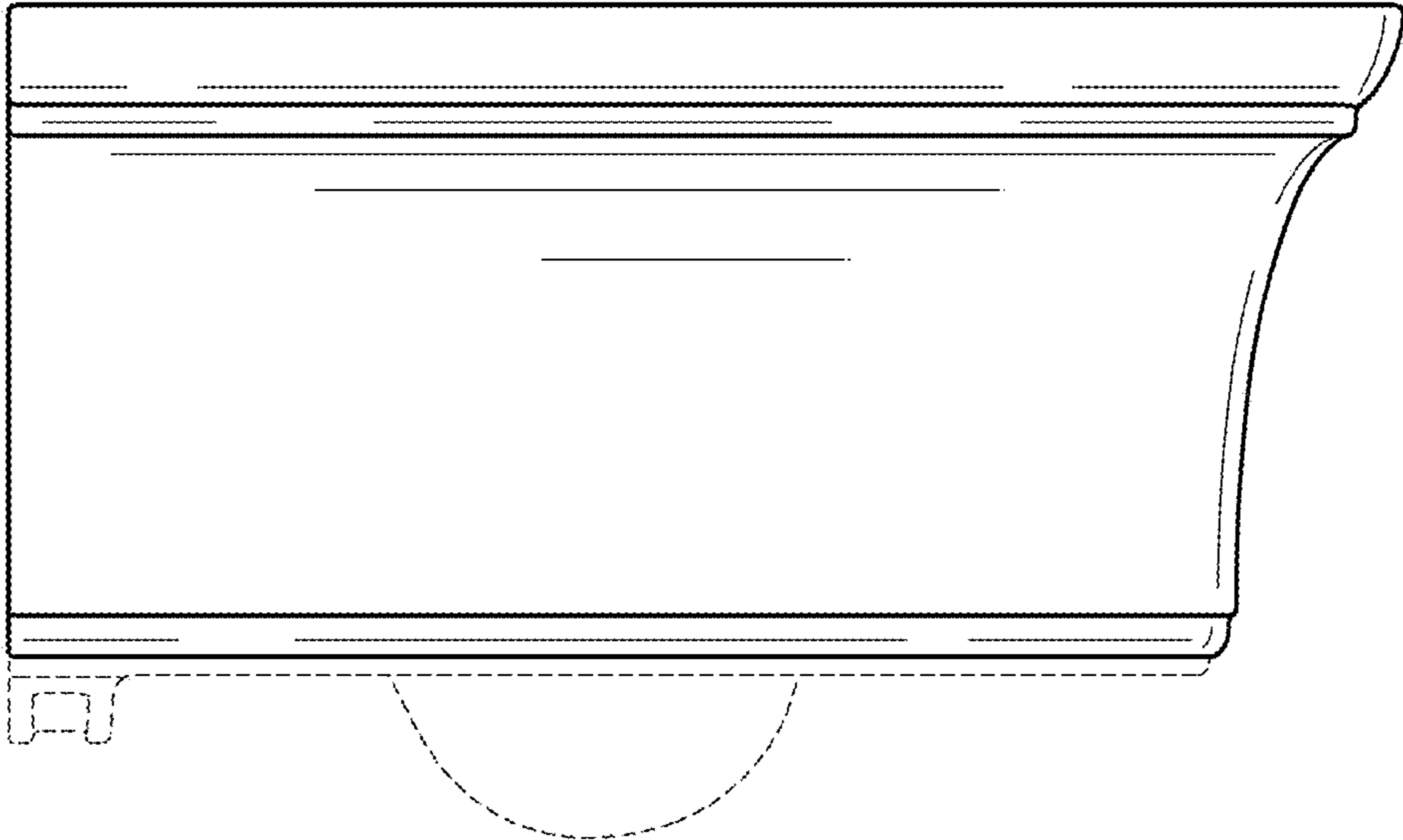


FIG. 9

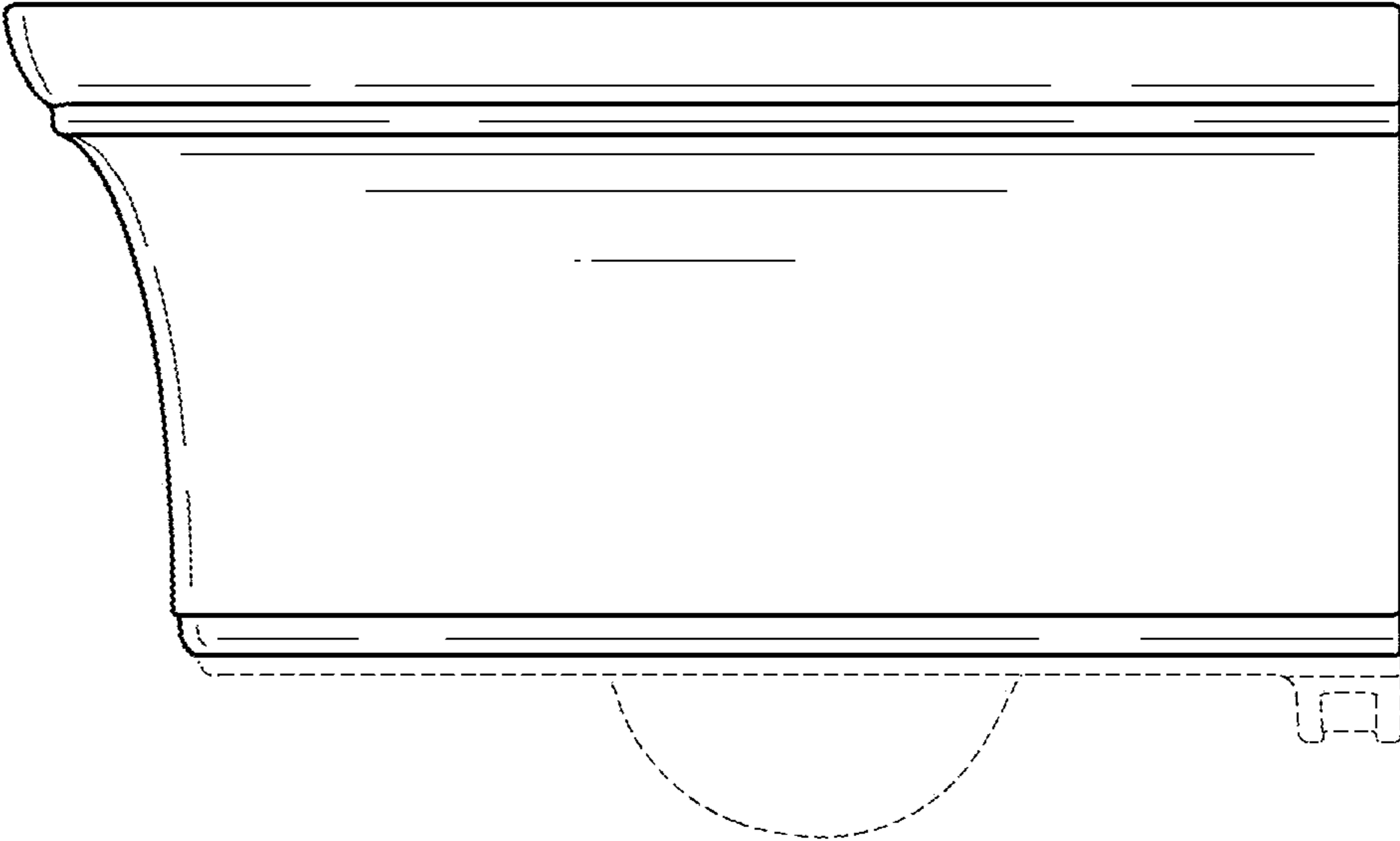


FIG. 10