



US00D823994S

(12) **United States Design Patent**  
**Kergoet**

(10) **Patent No.:** **US D823,994 S**  
(45) **Date of Patent:** **\*\* Jul. 24, 2018**

- (54) **SINK**
- (71) Applicant: **KOHLER CO.**, Kohler, WI (US)
- (72) Inventor: **Francois Kergoet**, Malakoff (FR)
- (73) Assignee: **KOHLER CO.**, Kohler, WI (US)
- (\*\*) Term: **15 Years**
- (21) Appl. No.: **29/625,278**
- (22) Filed: **Nov. 8, 2017**

- D578,184 S \* 10/2008 Kitzmiller ..... D23/287
- D585,119 S \* 1/2009 Kitzmiller ..... D23/287
- D588,679 S \* 3/2009 Cheng ..... D23/287
- D601,233 S 9/2009 Kergoet
- D602,133 S \* 10/2009 Soulier ..... D23/284
- D630,715 S \* 1/2011 Thomas ..... D23/284
- D631,143 S \* 1/2011 Thomas ..... D23/284
- D637,702 S 5/2011 Rexach
- D645,124 S \* 9/2011 Palomba ..... D23/284
- D659,811 S 5/2012 Licini
- D667,940 S 9/2012 Licini
- D694,378 S 11/2013 Bates
- D694,379 S 11/2013 Bates
- D695,384 S 12/2013 Bates
- D700,686 S 3/2014 Spangler
- D770,020 S 10/2016 Lilly

**Related U.S. Application Data**

- (62) Division of application No. 29/576,678, filed on Sep. 6, 2016, now Pat. No. Des. 812,728.

**Foreign Application Priority Data**

- Mar. 9, 2016 (EM) ..... 003021922

- (51) **LOC (11) Cl.** ..... **23-02**
- (52) **U.S. Cl.**  
USPC ..... **D23/284**

- (58) **Field of Classification Search**  
USPC ..... D23/284-293.1, 303, 308  
CPC ..... A47K 1/04; A47B 77/06; A47J 47/20  
See application file for complete search history.

**References Cited**

**U.S. PATENT DOCUMENTS**

- D337,376 S 7/1993 Ragonot
- D455,477 S 4/2002 Soulier
- D463,538 S \* 9/2002 Chipperfield ..... D23/284
- D508,984 S 8/2005 Gordon
- D536,771 S 2/2007 Chensesseau
- D538,410 S 3/2007 Chensesseau
- D549,508 S \* 8/2007 Clark ..... D7/304

\* cited by examiner

*Primary Examiner* — Brandon M Rosati

*Assistant Examiner* — John A Voytek

(74) *Attorney, Agent, or Firm* — Foley & Lardner LLP

(57) **CLAIM**

I claim the ornamental design for a sink, as shown and described.

**DESCRIPTION**

FIG. 1 is a top, front, left perspective view of an embodiment of the claimed design;

FIG. 2 is a front elevation view thereof;

FIG. 3 is a rear elevation view thereof;

FIG. 4 is a left side elevation view thereof;

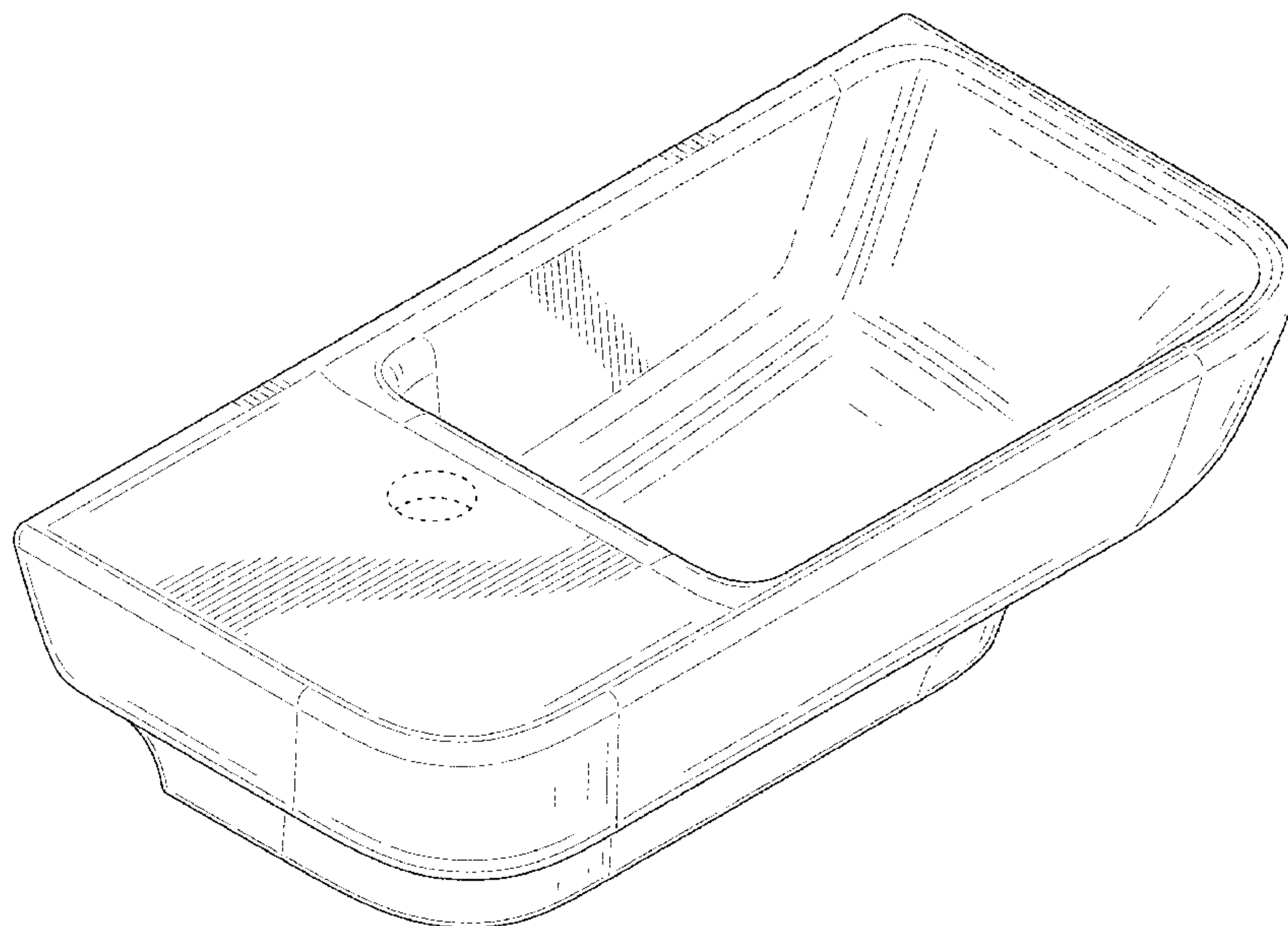
FIG. 5 is a right side elevation view thereof;

FIG. 6 is a top plan view thereof; and,

FIG. 7 is a bottom plan view thereof.

In the drawings, the broken lines depict environmental subject matter only and form no part of the claimed design.

**1 Claim, 6 Drawing Sheets**



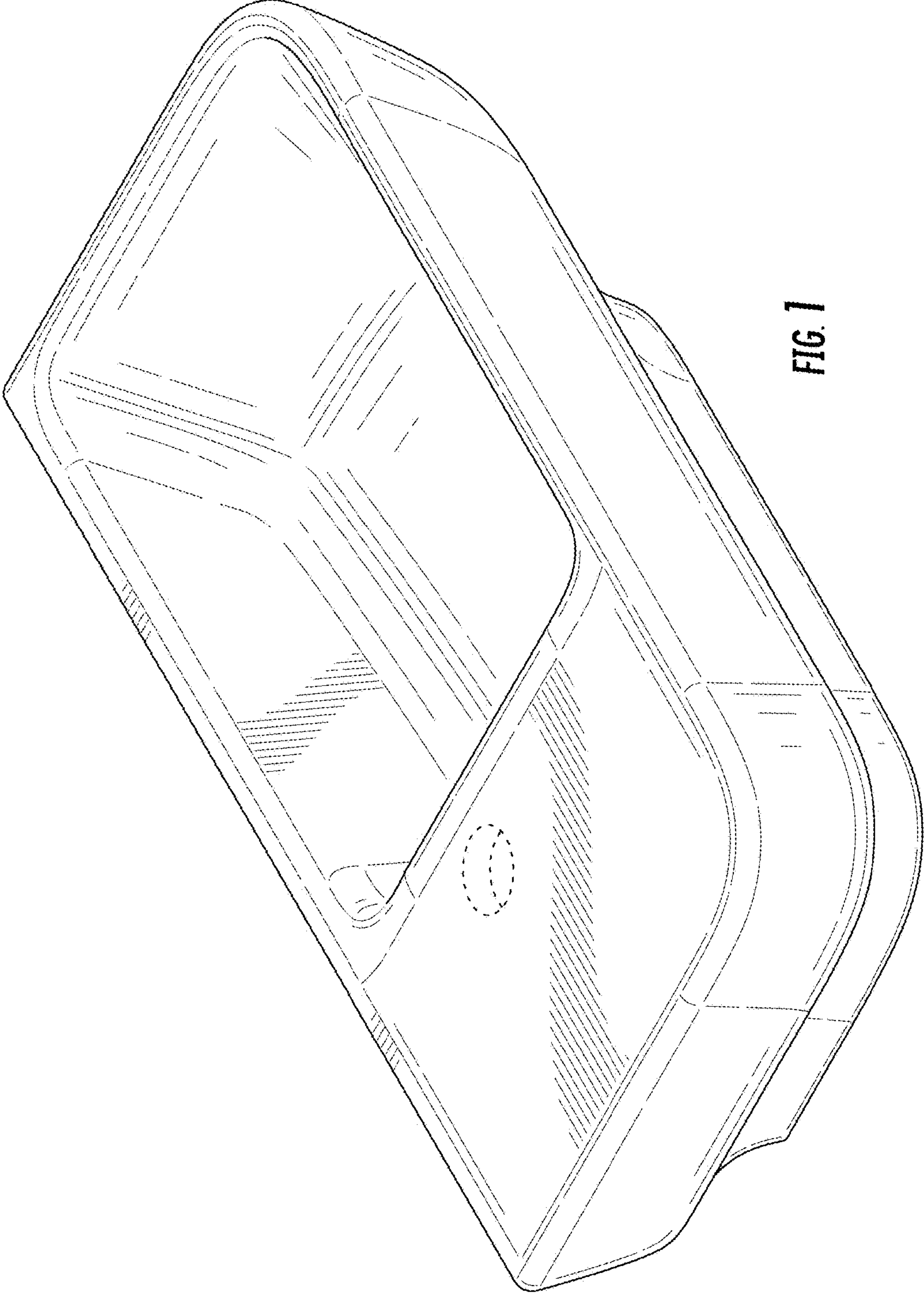


FIG. 1

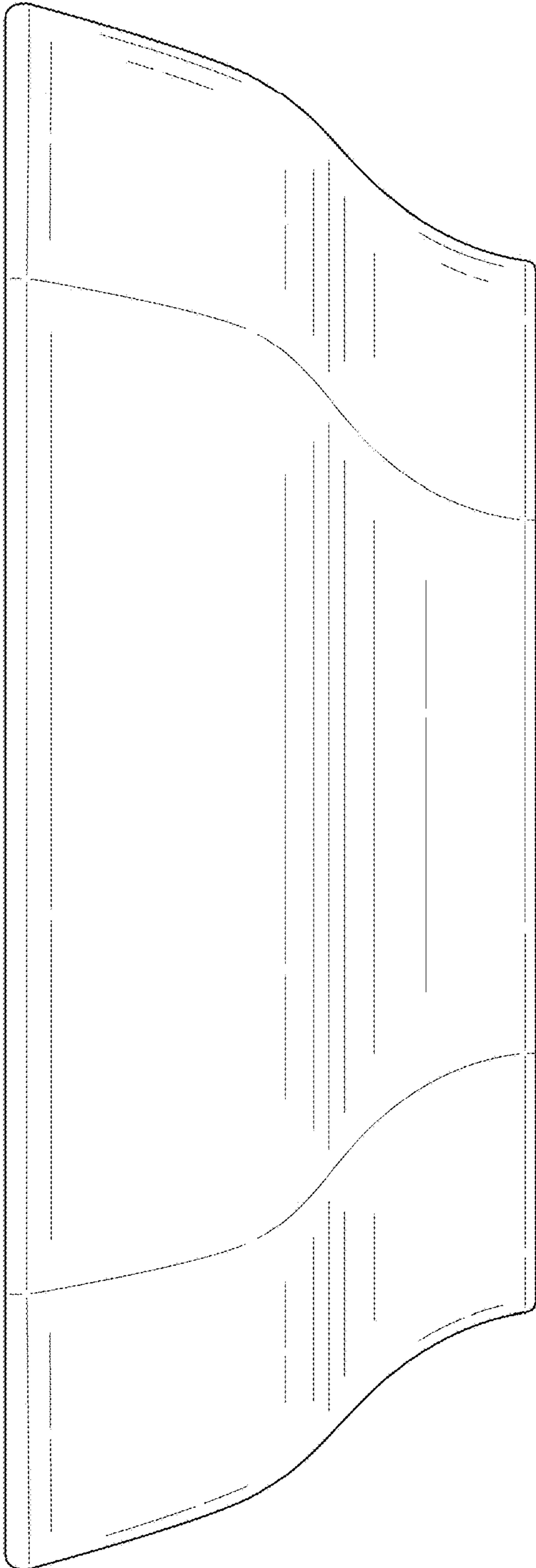


FIG. 2

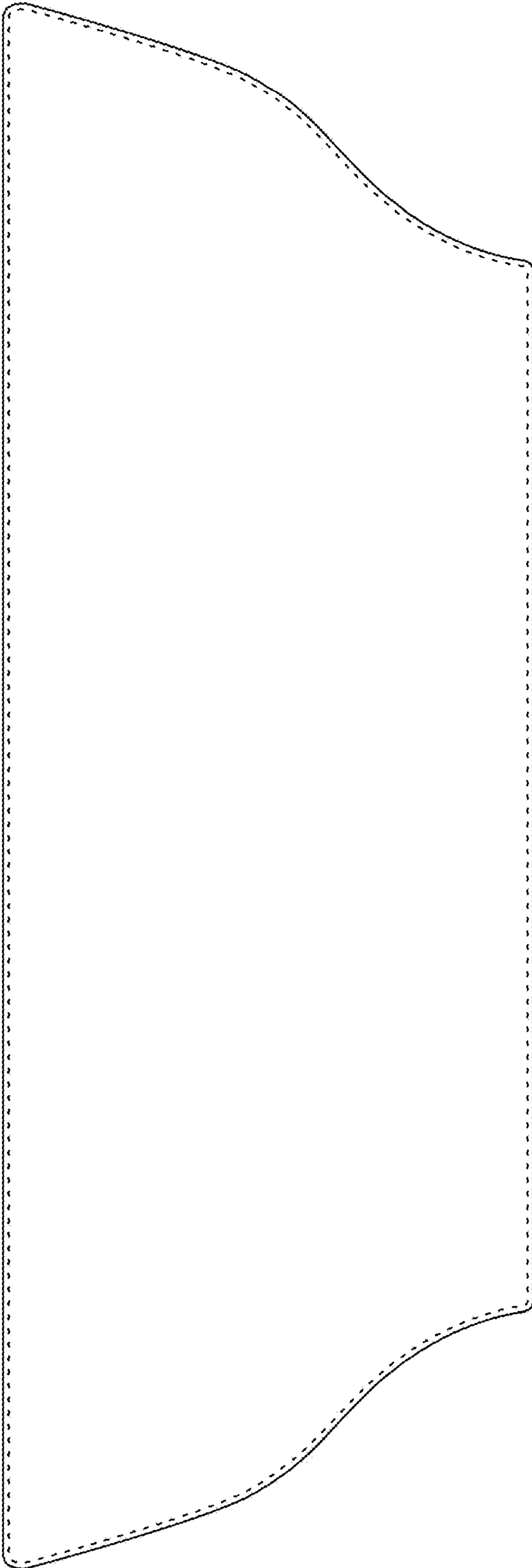


FIG. 3

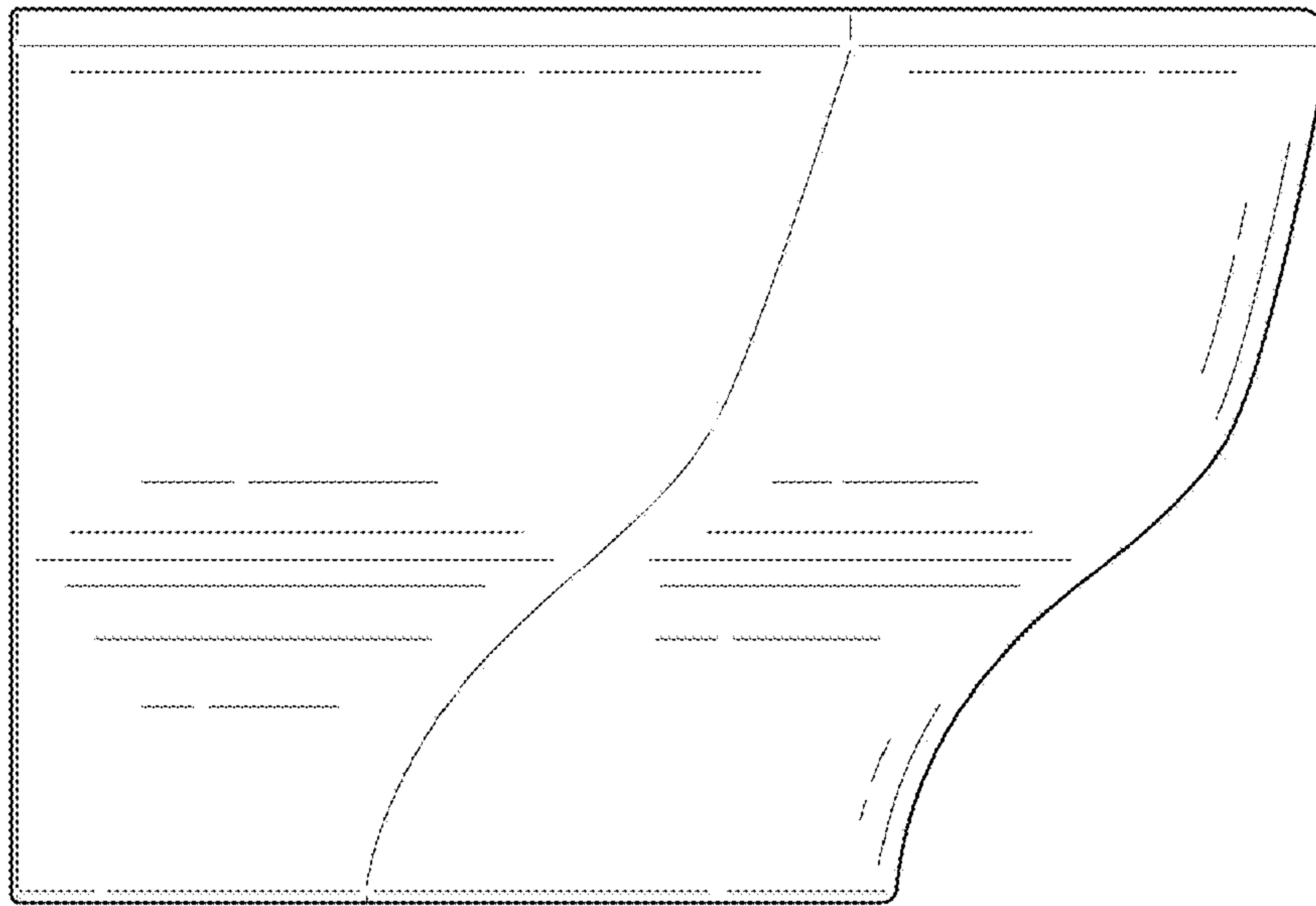


FIG. 4

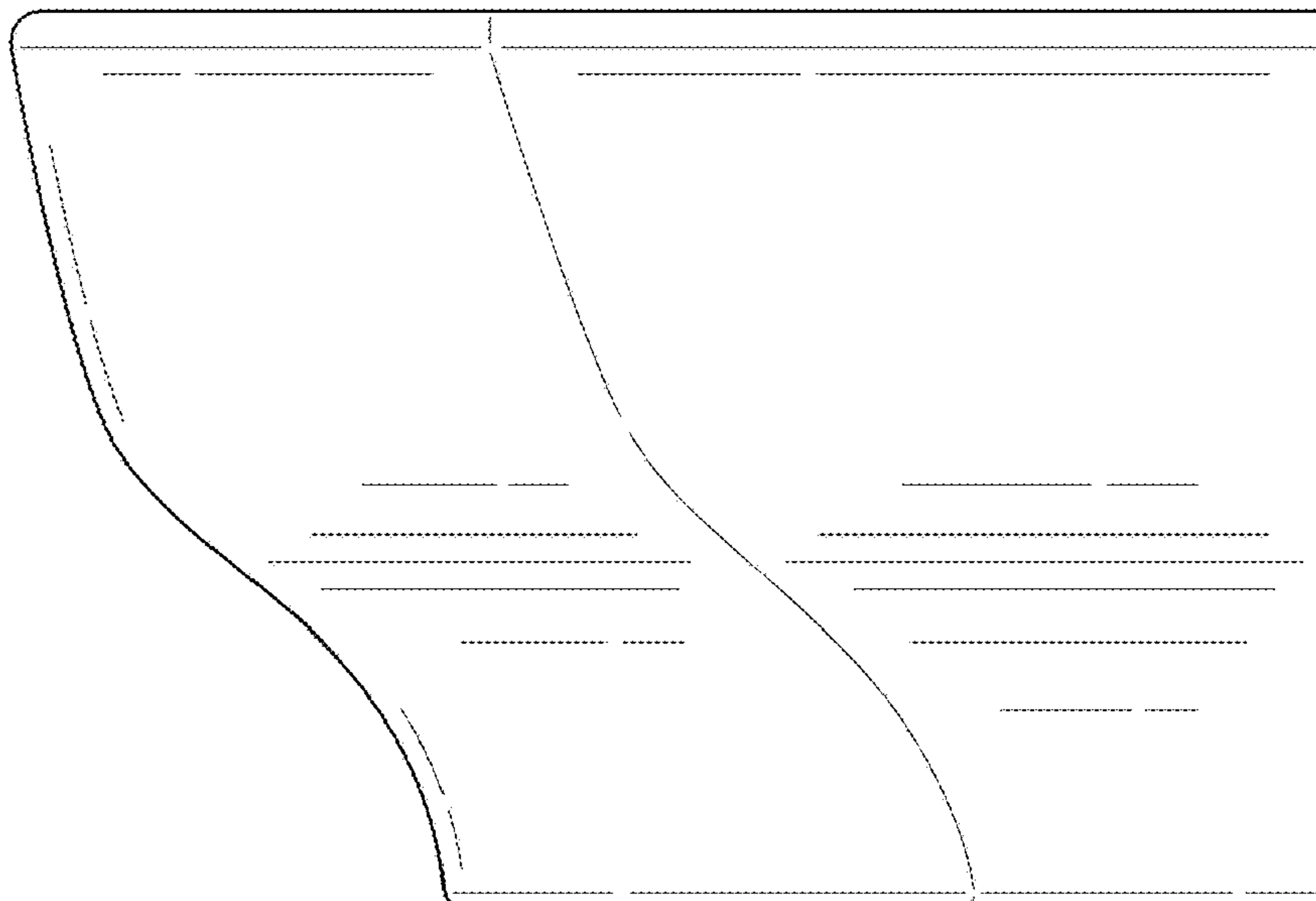


FIG. 5



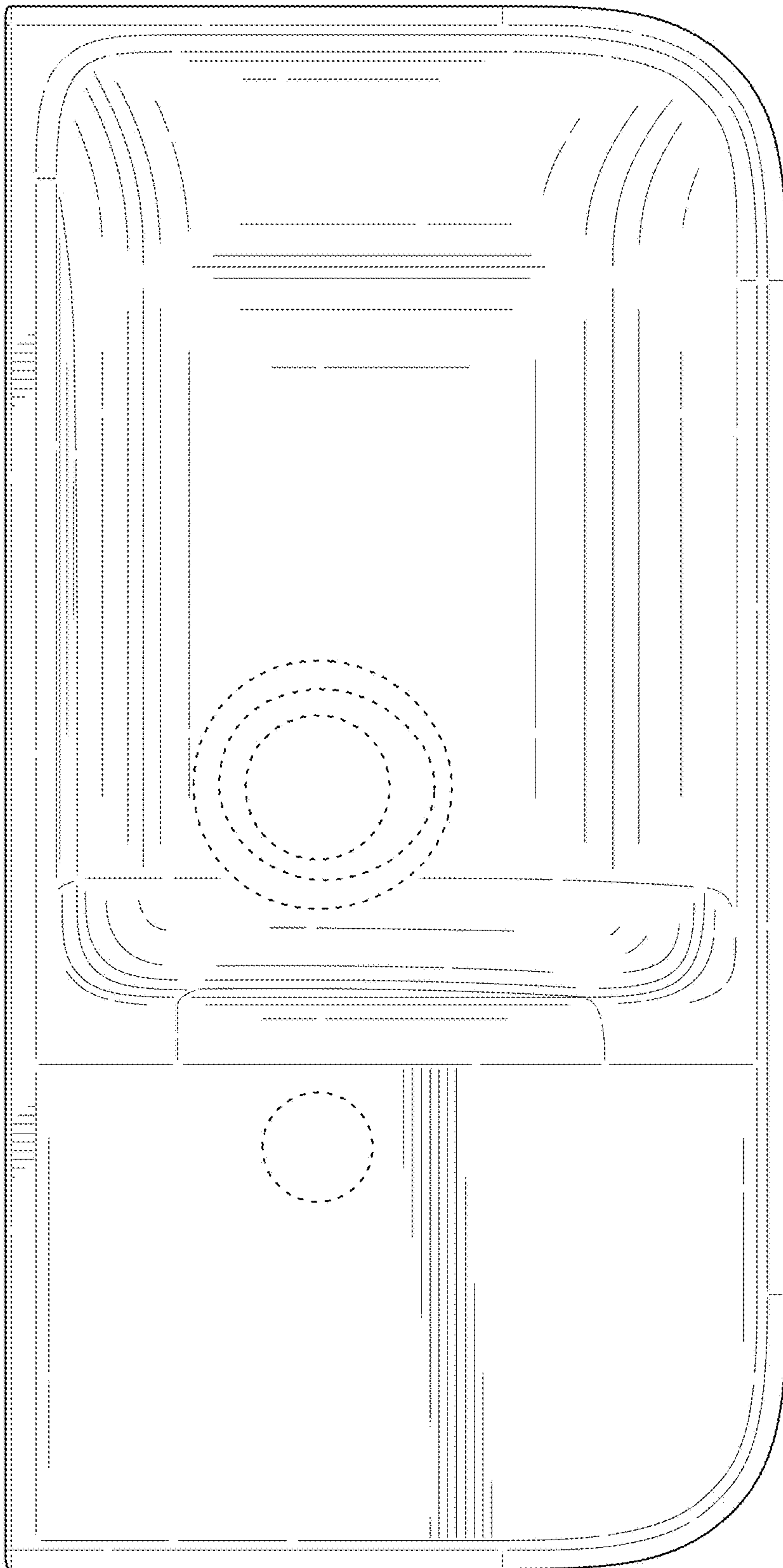


FIG. 6

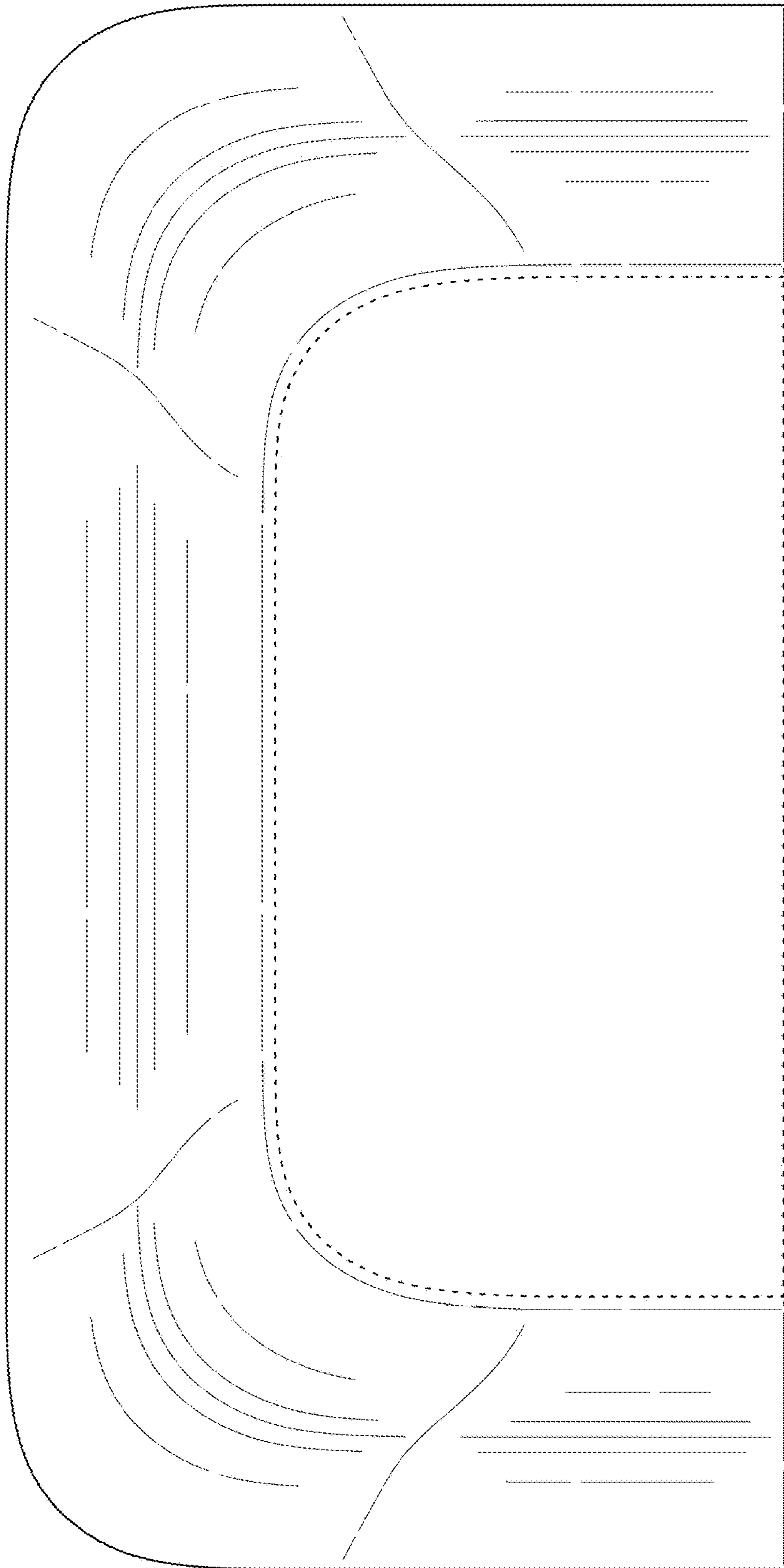


FIG. 7