



US00D823992S

(12) **United States Design Patent** (10) **Patent No.:** **US D823,992 S**  
**Passino, Jr. et al.** (45) **Date of Patent:** **\*\* Jul. 24, 2018**

(54) **POPPET VALVE**  
(71) Applicant: **Mechanical Dynamics & Analysis LLC**, Latham, NY (US)  
(72) Inventors: **Mark Jeffrey Passino, Jr.**, Clifton Park, NY (US); **Andrew Koonce**, Clifton Park, NY (US); **Matthew Monty**, Clifton Park, NY (US); **Dominick Werther**, Clifton Park, NY (US); **Roy Satzman**, Clifton Park, NY (US)  
(73) Assignee: **Mechanical Dynamics & Analysis LLC**, Latham, NY (US)

4,481,776 A 11/1984 Araki et al.  
4,881,500 A \* 11/1989 Kojima ..... F01L 3/20  
123/188.3  
4,892,118 A 1/1990 Davis et al.  
5,168,843 A \* 12/1992 Franks ..... F01L 3/085  
123/188.2  
D341,188 S \* 11/1993 Burgy ..... D23/248  
5,505,587 A 4/1996 Ghetzler  
6,230,742 B1 \* 5/2001 Bircann ..... F16K 1/443  
137/625.34  
8,763,385 B2 7/2014 Leone et al.  
D736,893 S \* 8/2015 Iwamoto ..... D23/233  
2002/0066270 A1 6/2002 Rouse et al.  
2005/0223707 A1 10/2005 Ikeda et al.  
(Continued)

(\*\*) Term: **15 Years**  
(21) Appl. No.: **29/543,625**  
(22) Filed: **Oct. 27, 2015**  
(51) **LOC (11) Cl.** ..... **23-01**  
(52) **U.S. Cl.**  
USPC ..... **D23/248**  
(58) **Field of Classification Search**  
USPC ..... D23/248, 233, 235; 123/188.2, 41.69,  
123/41.41, 41.76, 41.77, 41.85, 188.3;  
137/217, 15.18, 559, 219, 625.34, 514,  
137/493.4; D15/1, 5  
CPC ..... B21K 1/22; B23P 15/002; F04B 53/129  
See application file for complete search history.

(56) **References Cited**  
U.S. PATENT DOCUMENTS  
2,791,992 A \* 5/1957 Robinson ..... F01L 1/28  
123/41.69  
2,995,148 A \* 8/1961 Novak ..... F16K 17/196  
137/493.4  
3,601,157 A 8/1971 Milleville  
3,782,412 A \* 1/1974 Darash ..... F16K 17/0433  
137/514

**OTHER PUBLICATIONS**

“Toshiba—Preventive Maintenance of Major Steam Valves, Rehabilitation and Repairing” available at <http://www.toshiba.co.jp/thermal-hydro/en/thermal/service/turbines/valves.htm>, 2 pages, available prior to Oct. 14, 2015.  
(Continued)

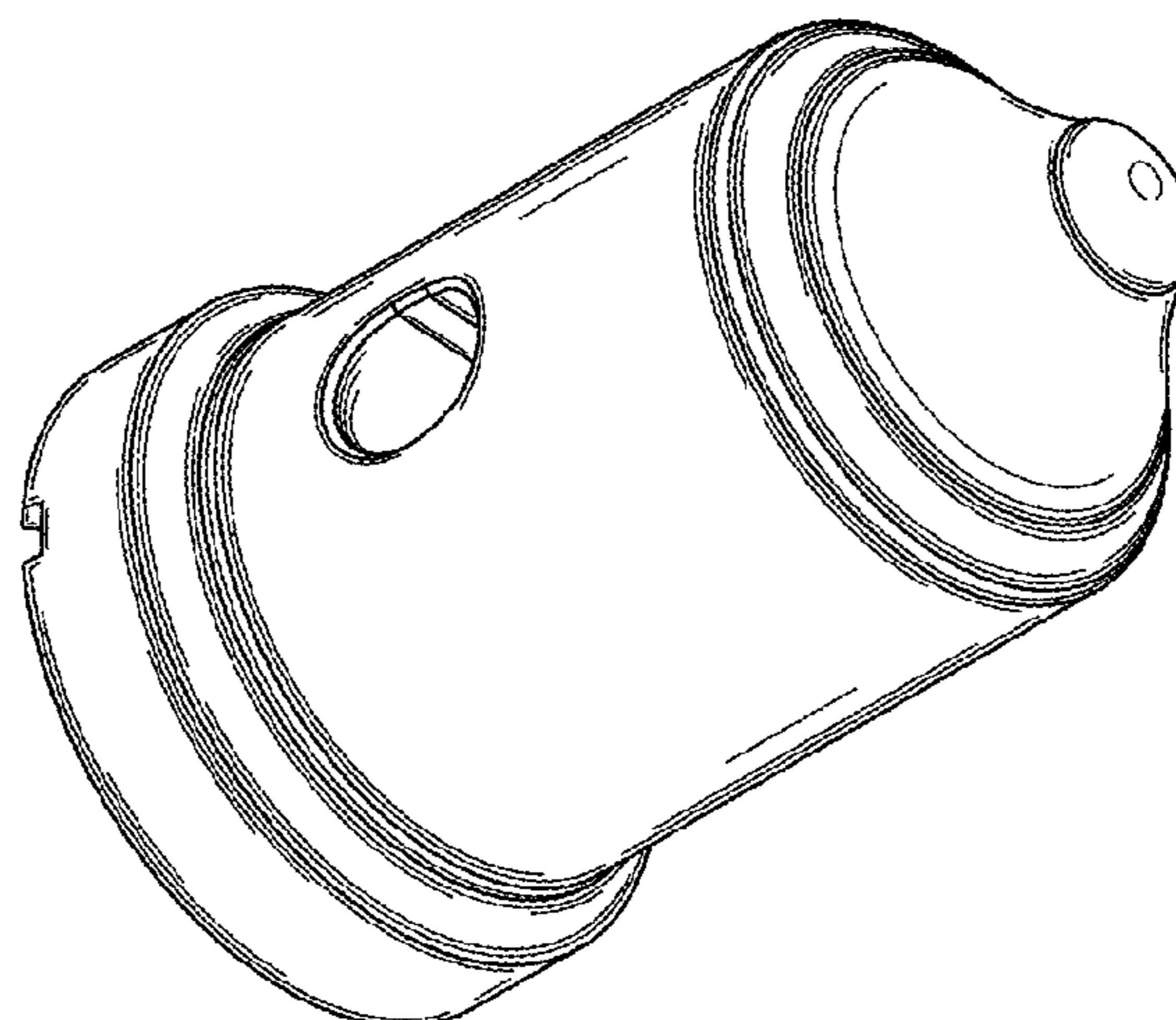
*Primary Examiner* — Cynthia Ramirez  
*Assistant Examiner* — Gino Colan  
(74) *Attorney, Agent, or Firm* — Burriss Law, PLLC

(57) **CLAIM**  
The ornamental design for a poppet valve, as shown and described.

**DESCRIPTION**

FIG. 1 is a bottom perspective view of the poppet valve; FIG. 2 is a top perspective view thereof; FIG. 3 is a side view thereof; FIG. 4 is another side view thereof, rotated 90° from FIG. 3; FIG. 5 is a bottom view thereof; and, FIG. 6 is a top view thereof.

**1 Claim, 6 Drawing Sheets**



(56)

**References Cited**

U.S. PATENT DOCUMENTS

2006/0283503 A1 \* 12/2006 McCausland ..... F16K 1/126  
137/219  
2009/0214787 A1 8/2009 Wei et al.  
2013/0336776 A1 12/2013 Siddle et al.  
2014/0361208 A1 12/2014 Tsuji et al.  
2016/0312708 A1 10/2016 Chen  
2017/0107844 A1 4/2017 Passino, Jr. et al.  
2017/0191482 A1 7/2017 Preuss et al.

OTHER PUBLICATIONS

Illustrations of prior art valve configurations, 1 page, believed to be available prior to Oct. 14, 2015.

\* cited by examiner

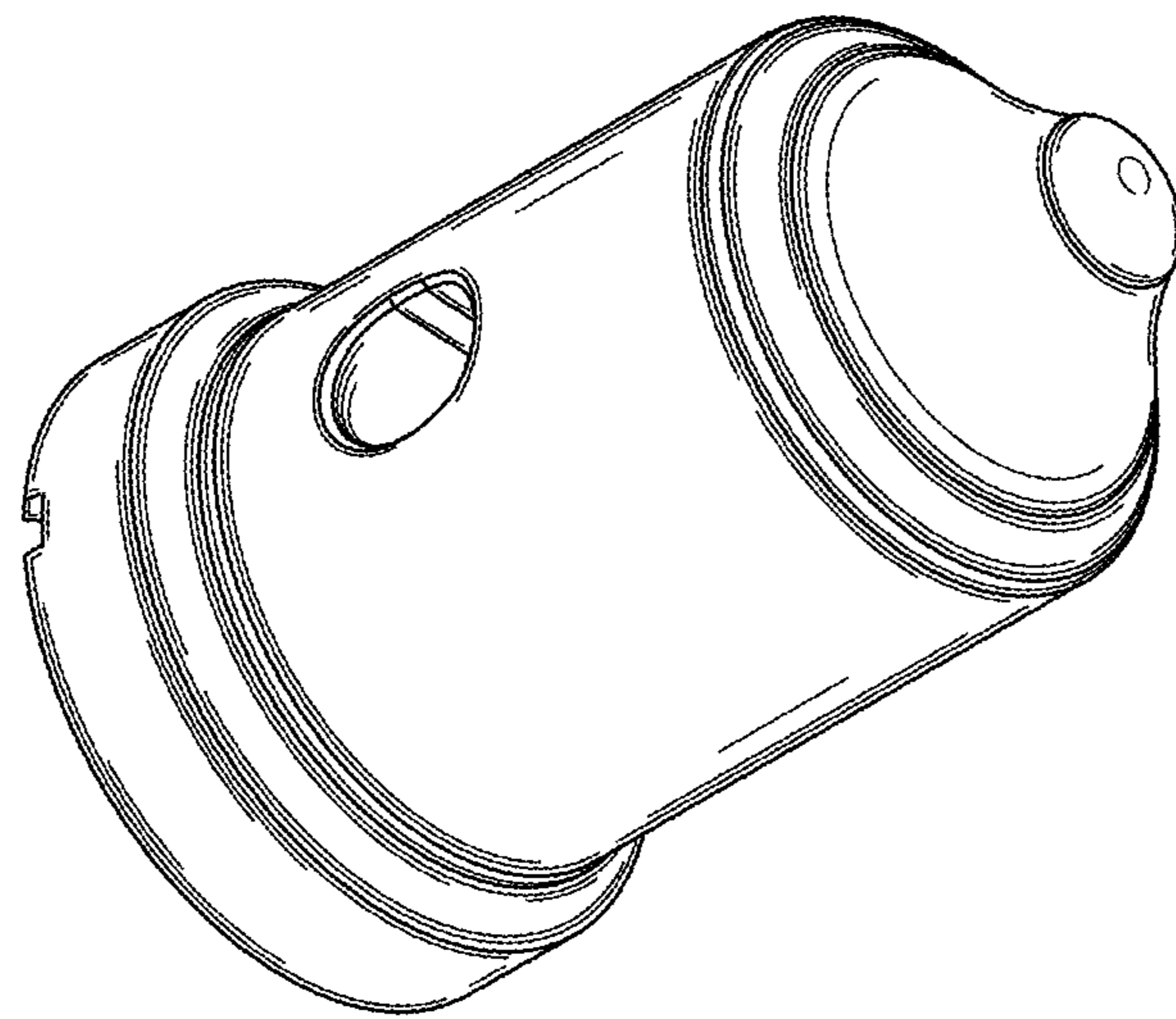


FIG. 1

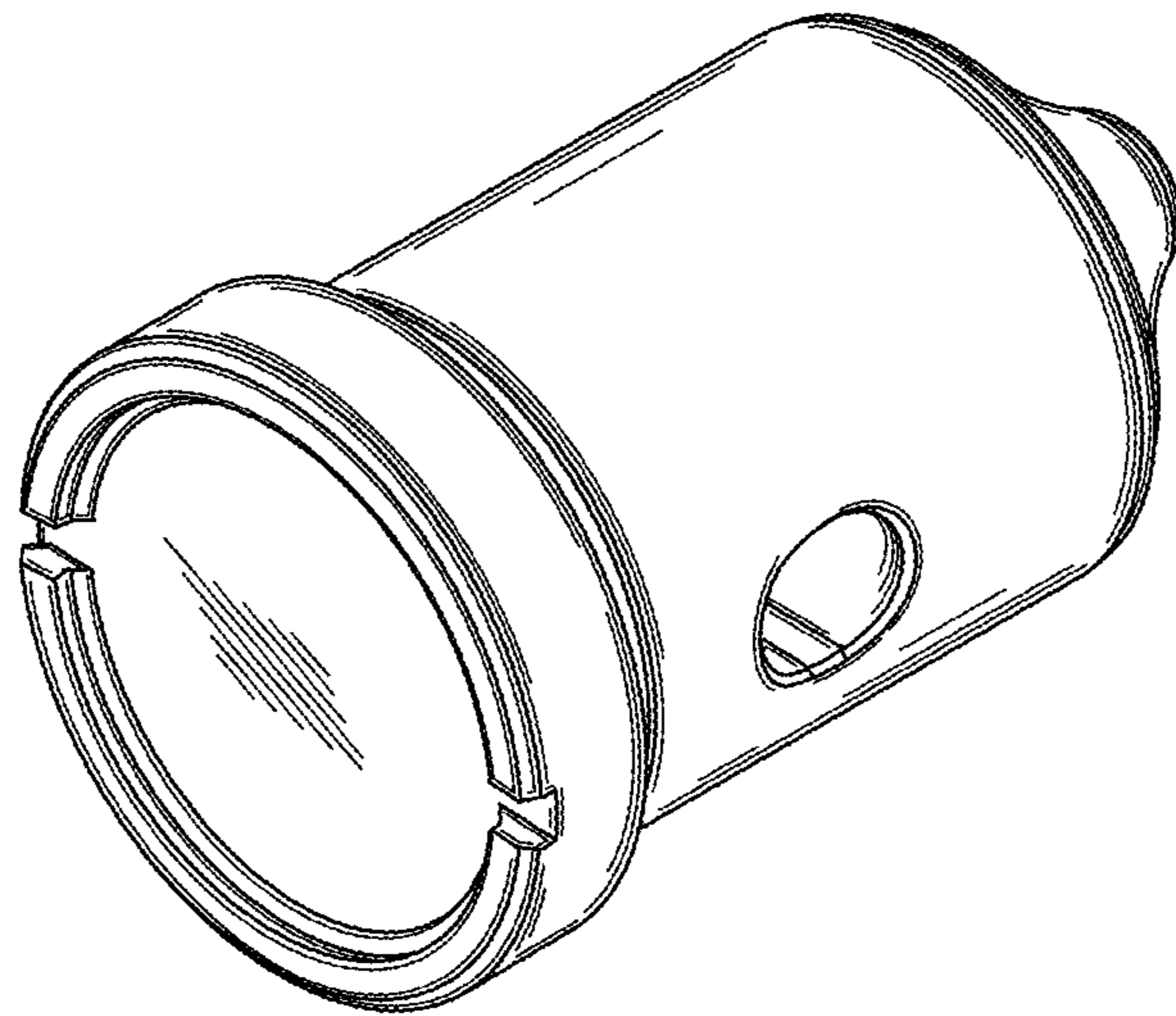


FIG. 2

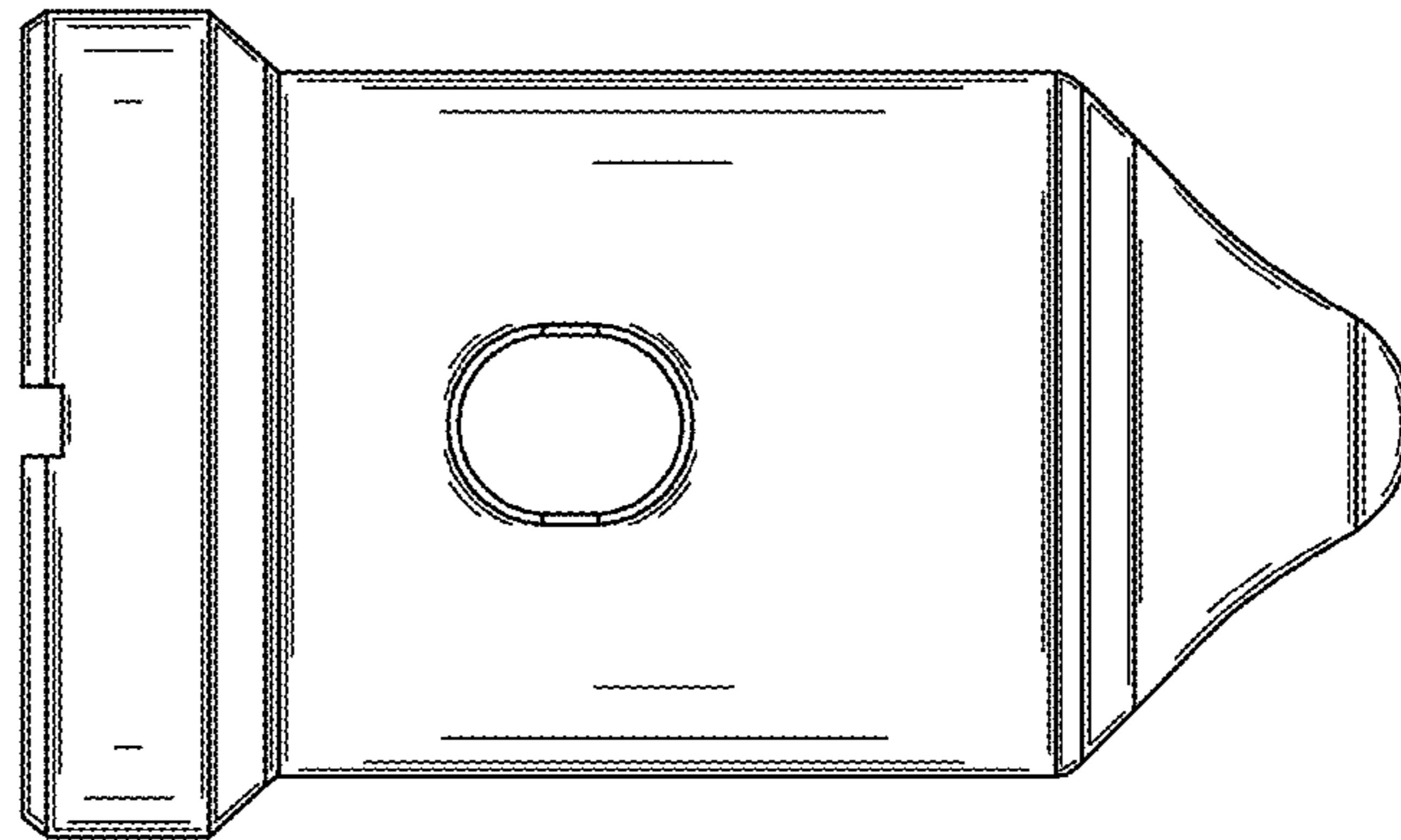


FIG. 3

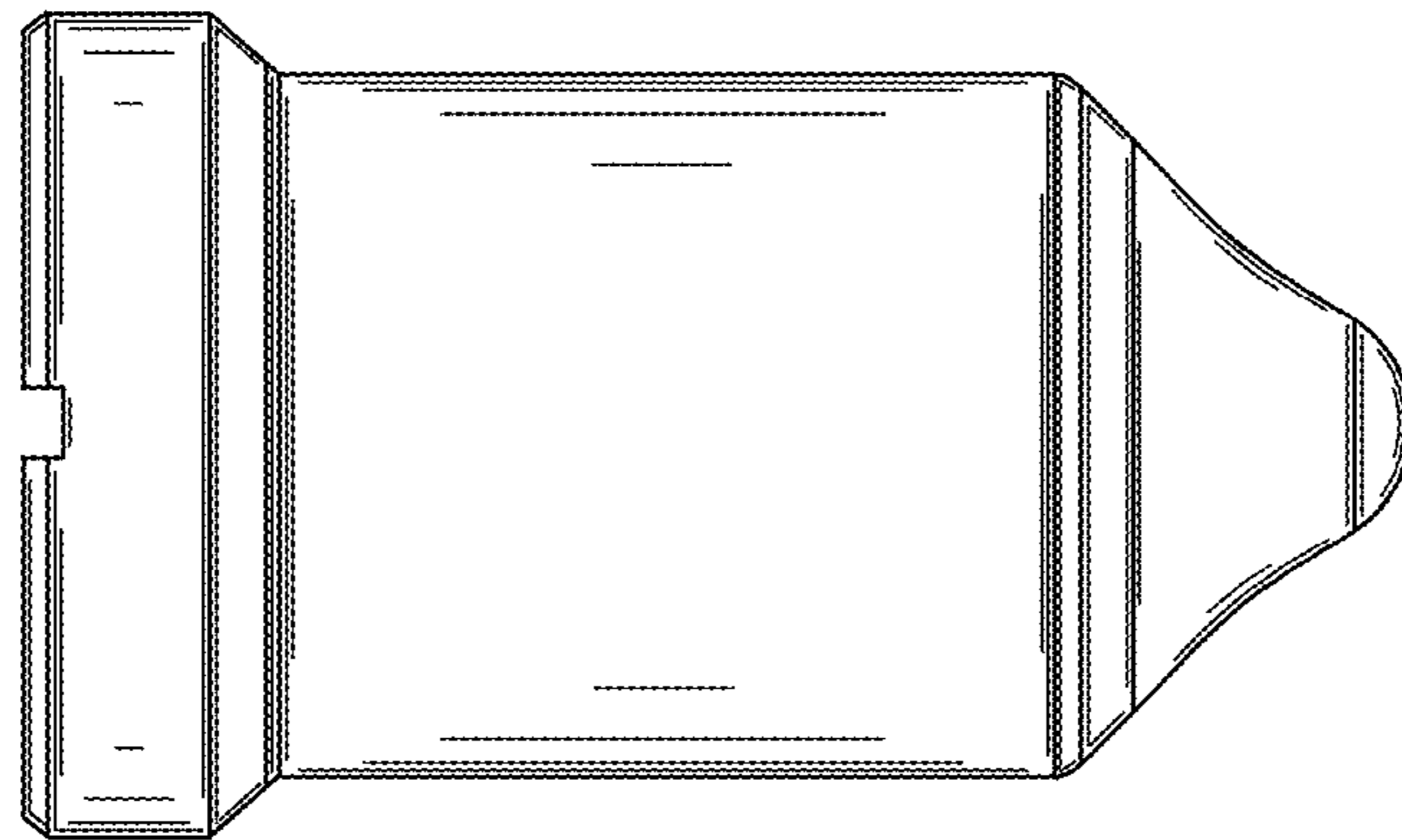


FIG. 4

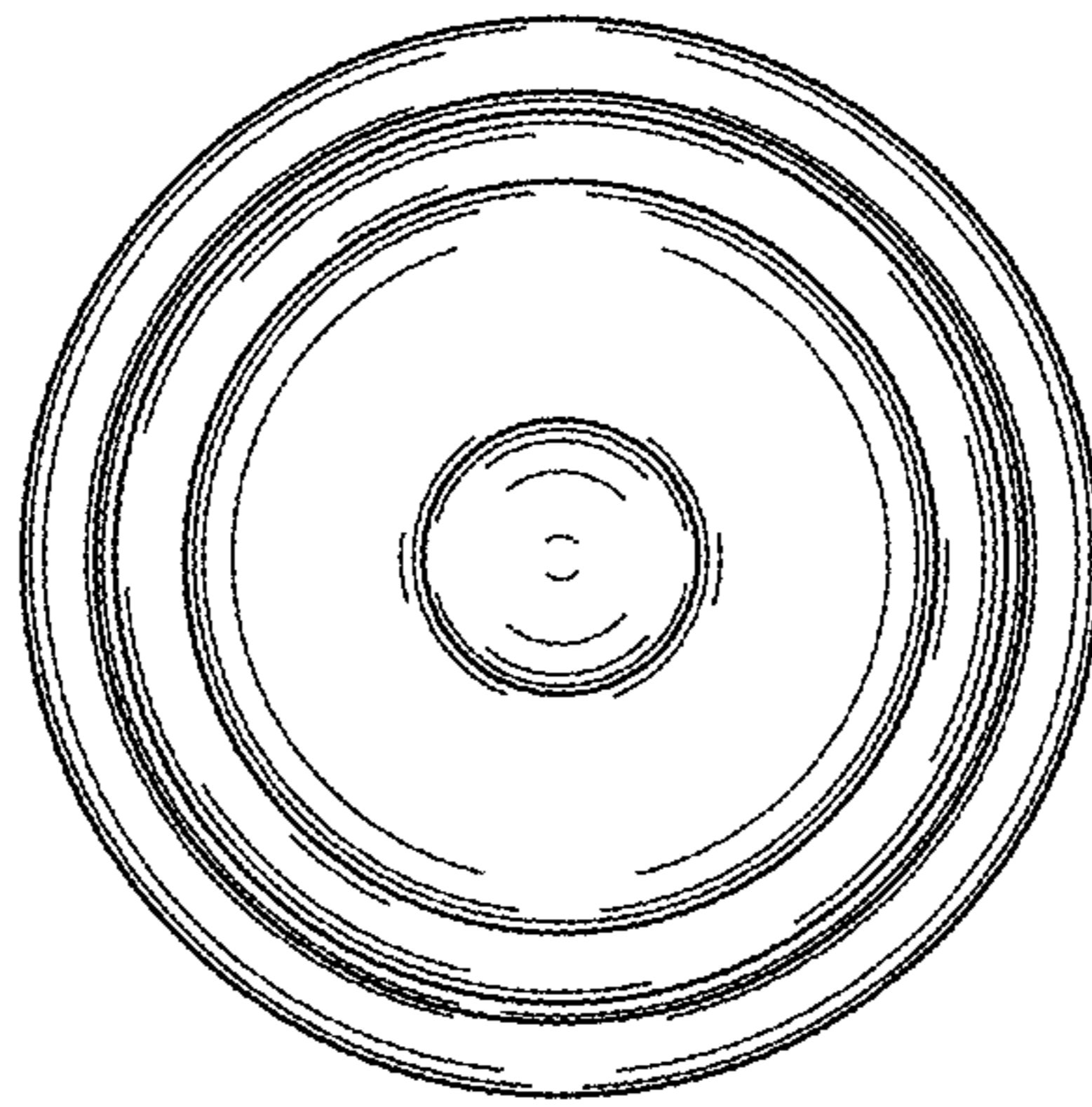


FIG. 5

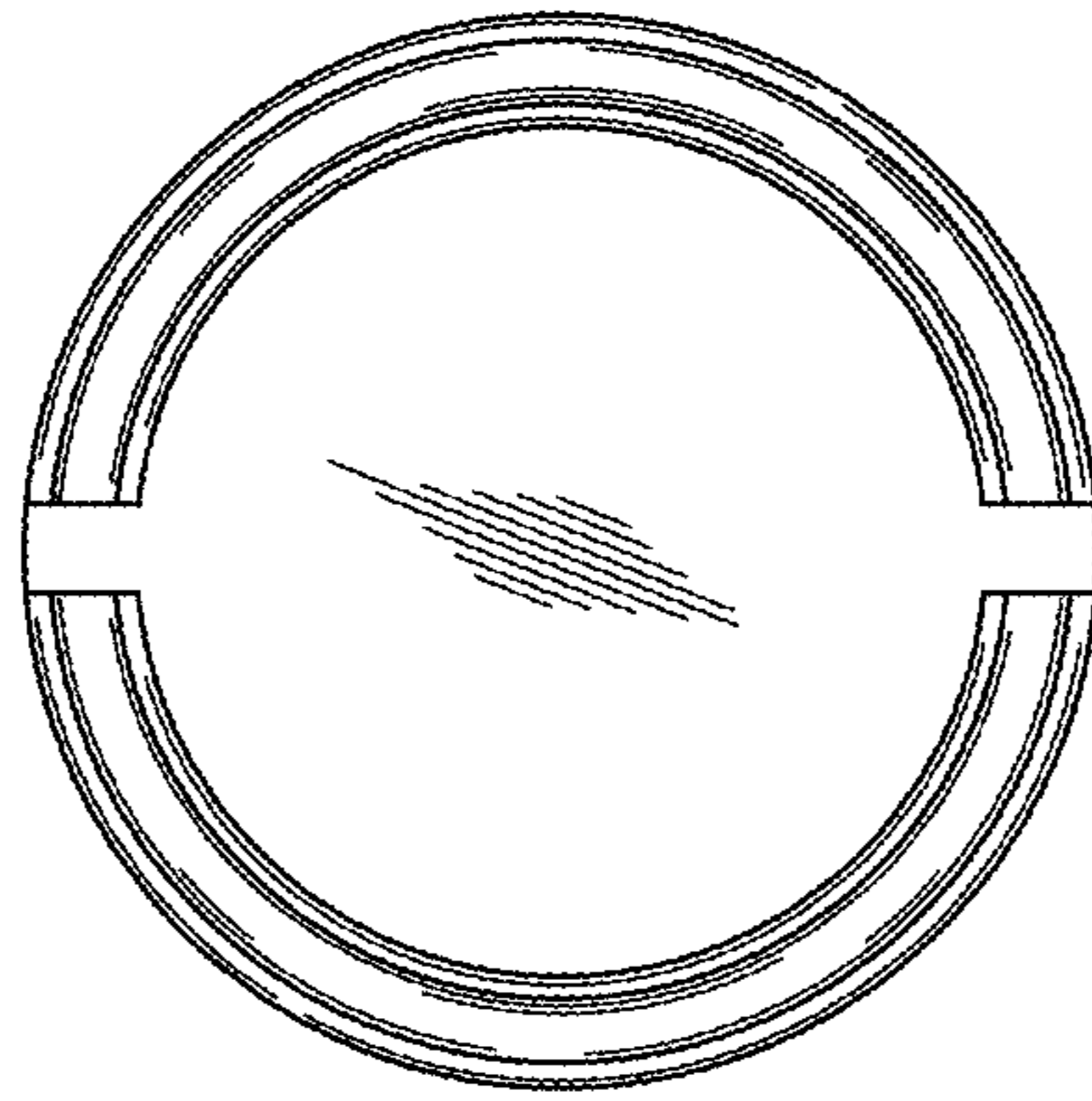


FIG. 6