



US00D823991S

(12) **United States Design Patent**
Schaubach

(10) **Patent No.:** **US D823,991 S**

(45) **Date of Patent:** **** Jul. 24, 2018**

(54) **SPOUT AND LEVER**

(71) Applicant: **Spectrum Brands, Inc.**, Middleton, WI (US)

(72) Inventor: **Lauren Schaubach**, Costa Mesa, CA (US)

(73) Assignee: **Spectrum Brands, Inc.**, Middleton, WI (US)

(**) Term: **15 Years**

(21) Appl. No.: **29/592,708**

(22) Filed: **Feb. 1, 2017**

(51) **LOC (11) Cl.** **23-01**

(52) **U.S. Cl.**
USPC **D23/242**

(58) **Field of Classification Search**
USPC D23/238-243, 249-250, 252, 254-255, D23/257; D8/307-308
CPC Y10T 137/9464
See application file for complete search history.

(56) **References Cited**

U.S. PATENT DOCUMENTS

D578,614 S * 10/2008 Fritz D23/241
D685,882 S * 7/2013 Garland D23/252

D704,808 S * 5/2014 Flowers D23/255
D754,297 S * 4/2016 Garland D23/242
D797,251 S * 9/2017 Downey D23/252

* cited by examiner

Primary Examiner — Robert A Delehanty

(74) *Attorney, Agent, or Firm* — Banner & Witcoff, Ltd.

(57) **CLAIM**

The ornamental design for a spout and lever, as shown and described.

DESCRIPTION

FIG. 1 is a front perspective view of a spout and lever showing my new design;

FIG. 2 is a front view thereof;

FIG. 3 is a rear view thereof;

FIG. 4 is a right side view thereof;

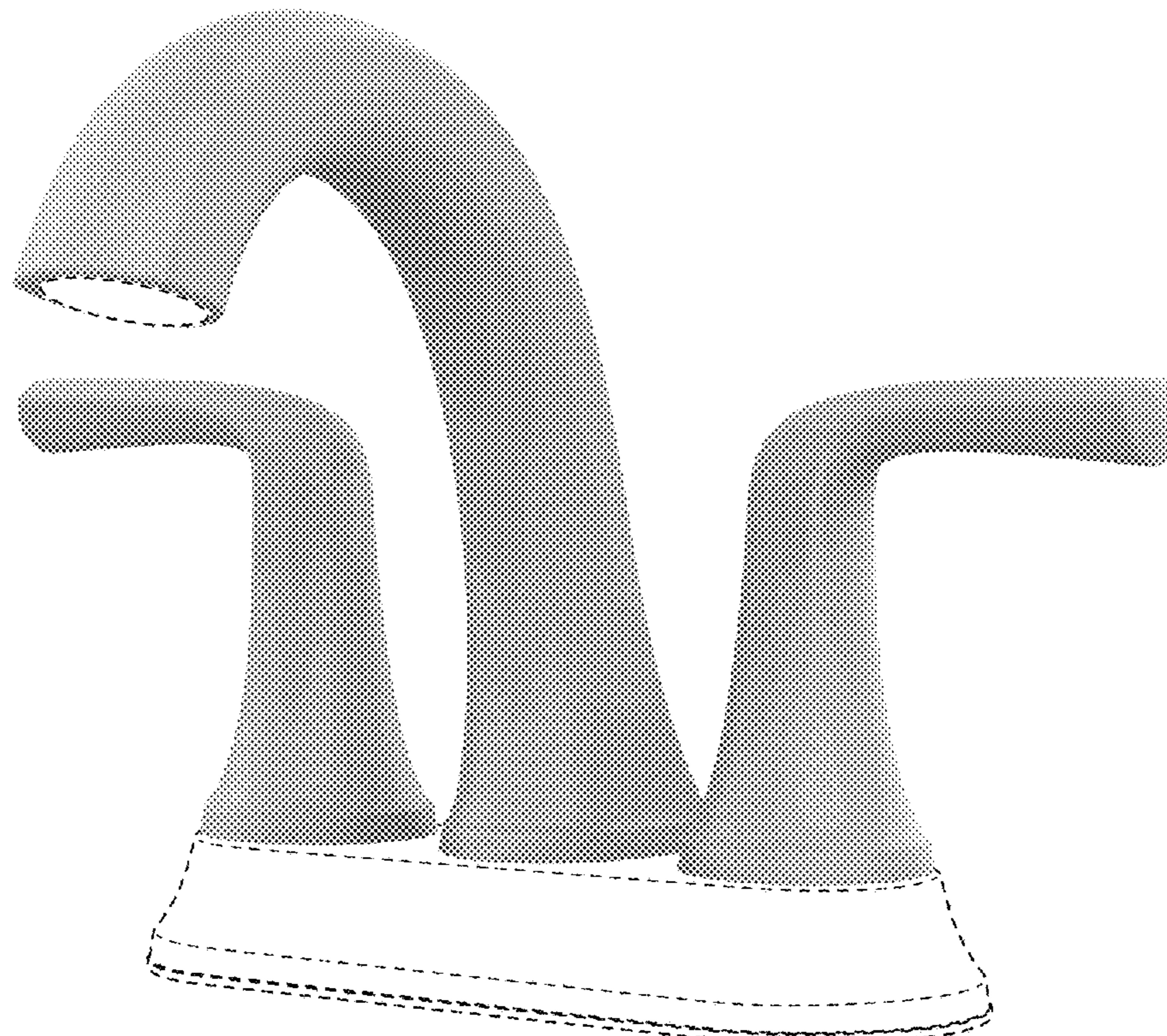
FIG. 5 is a left side view thereof;

FIG. 6 is a top view thereof; and,

FIG. 7 is a bottom view thereof.

The broken line showing of the various unshaded regions represents unclaimed subject matter and forms no part of the claimed design.

1 Claim, 7 Drawing Sheets



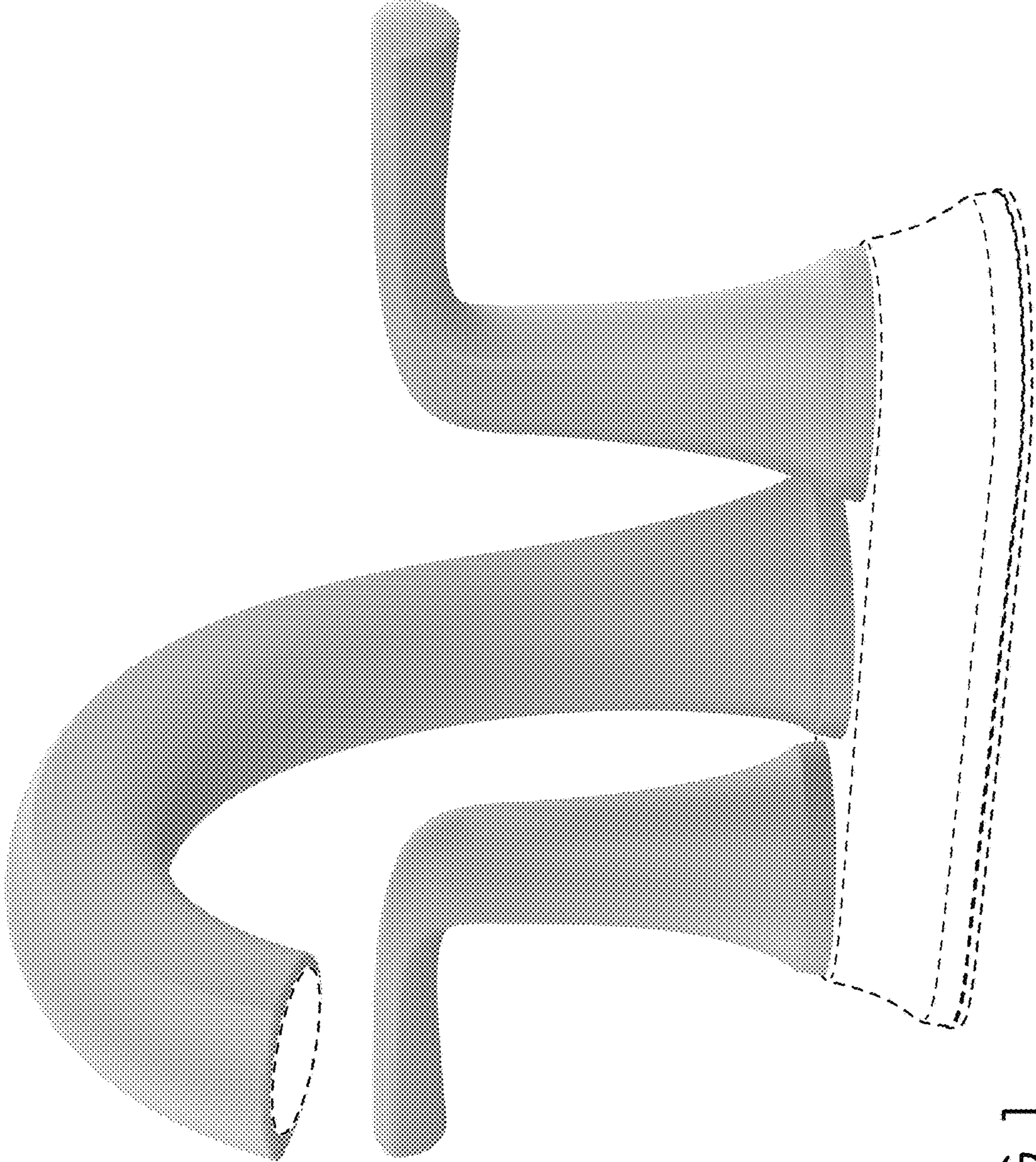


FIG. 1

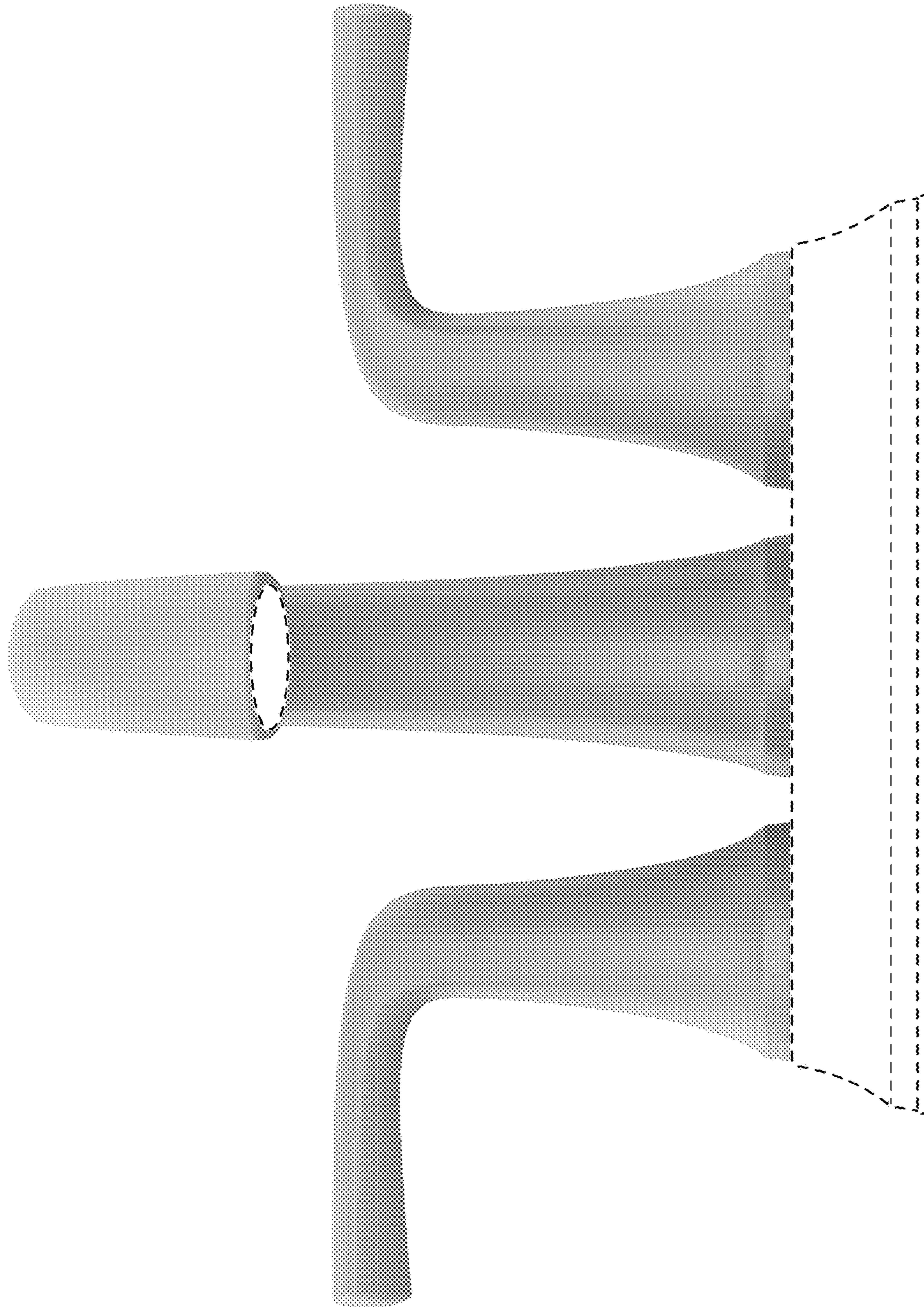


FIG. 2

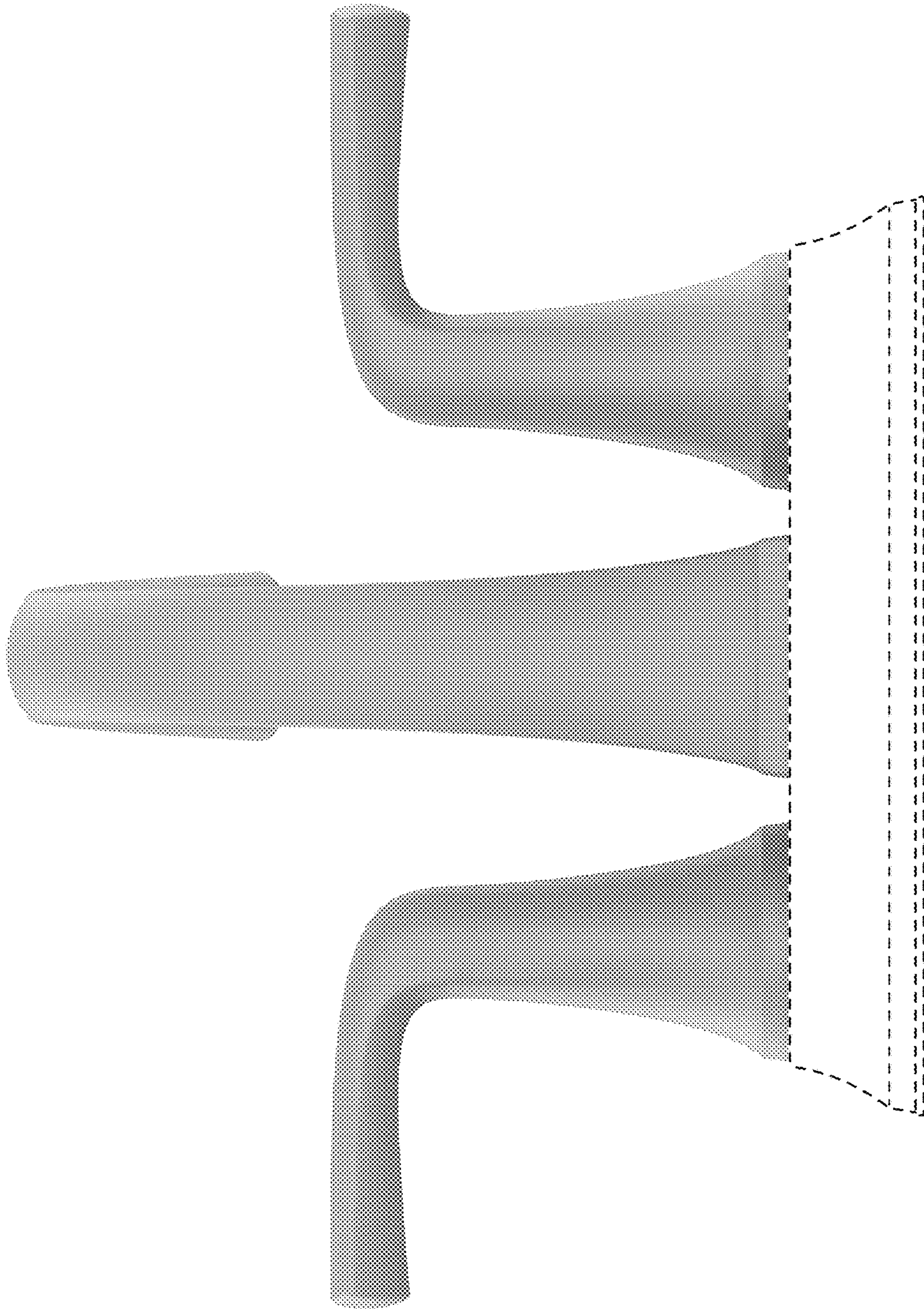


FIG. 3

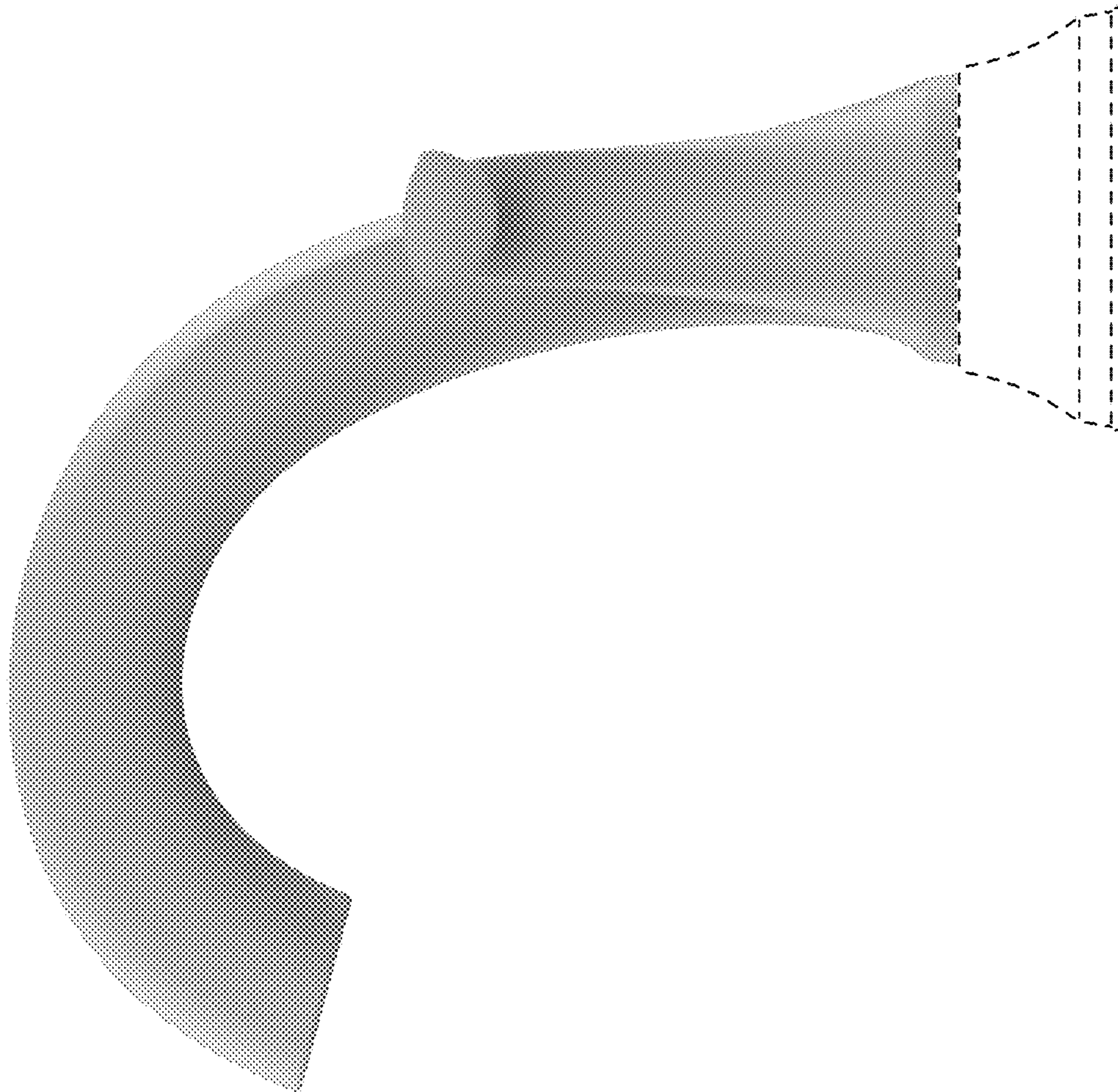


FIG. 4

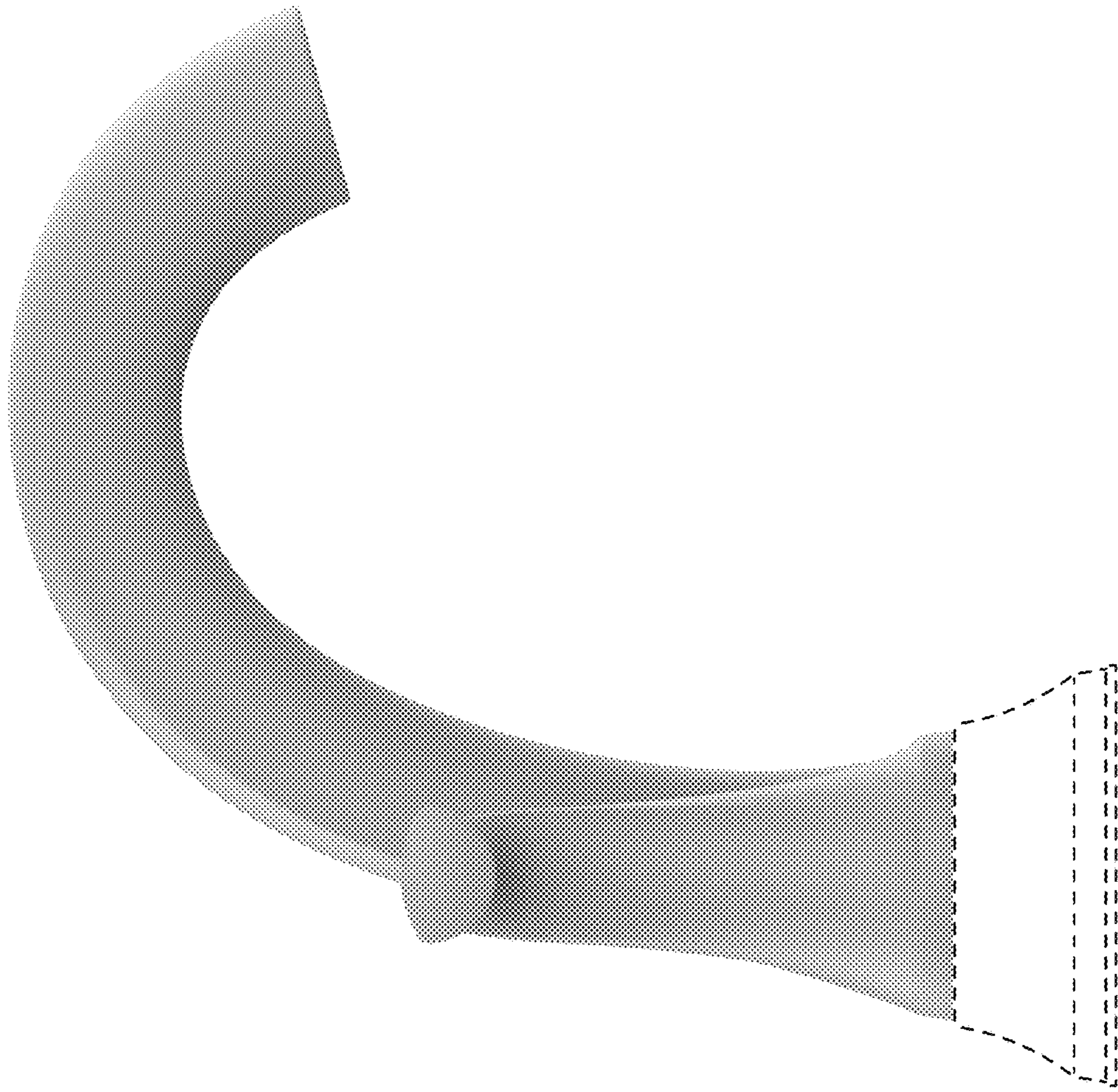


FIG. 5

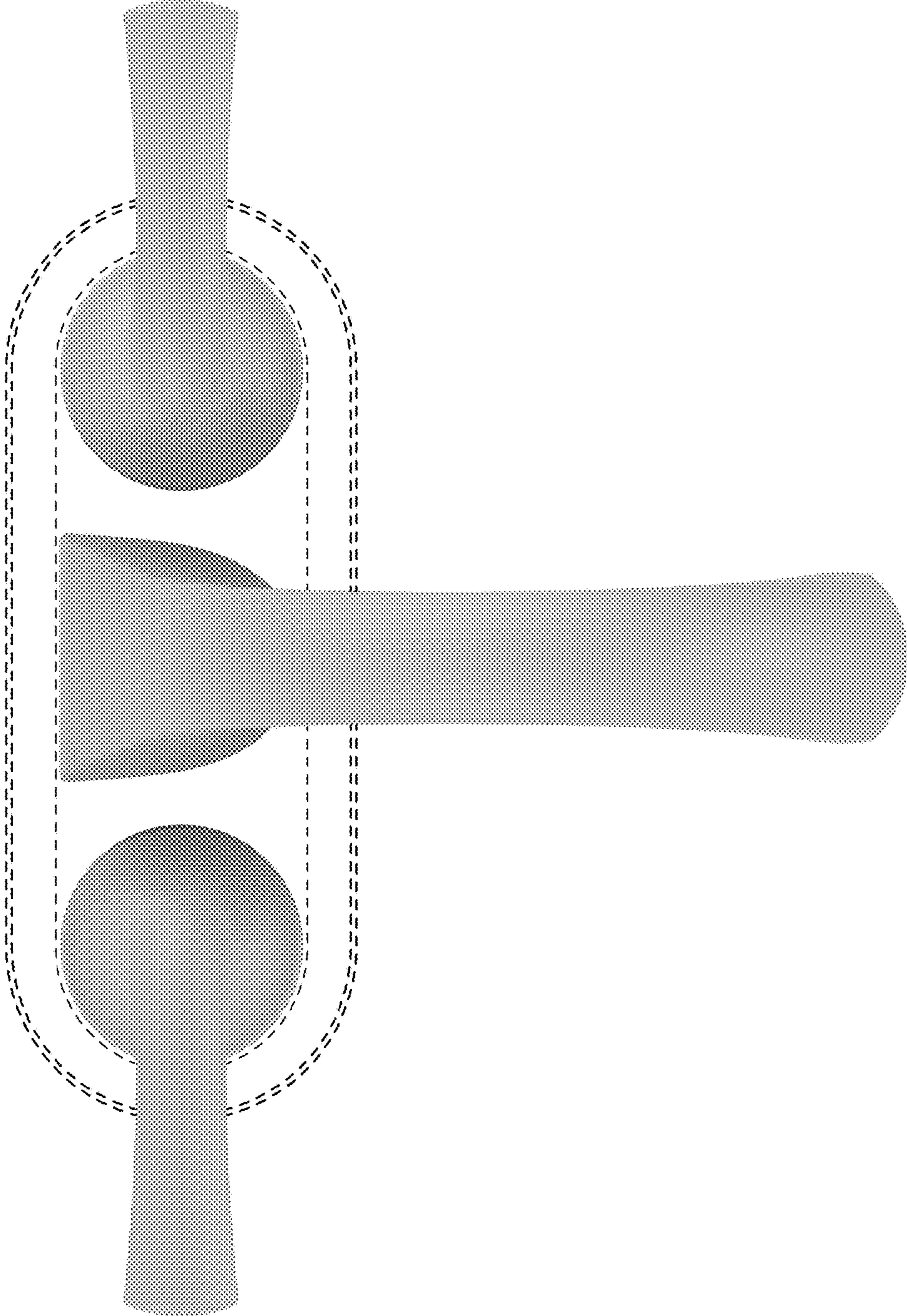


FIG. 6

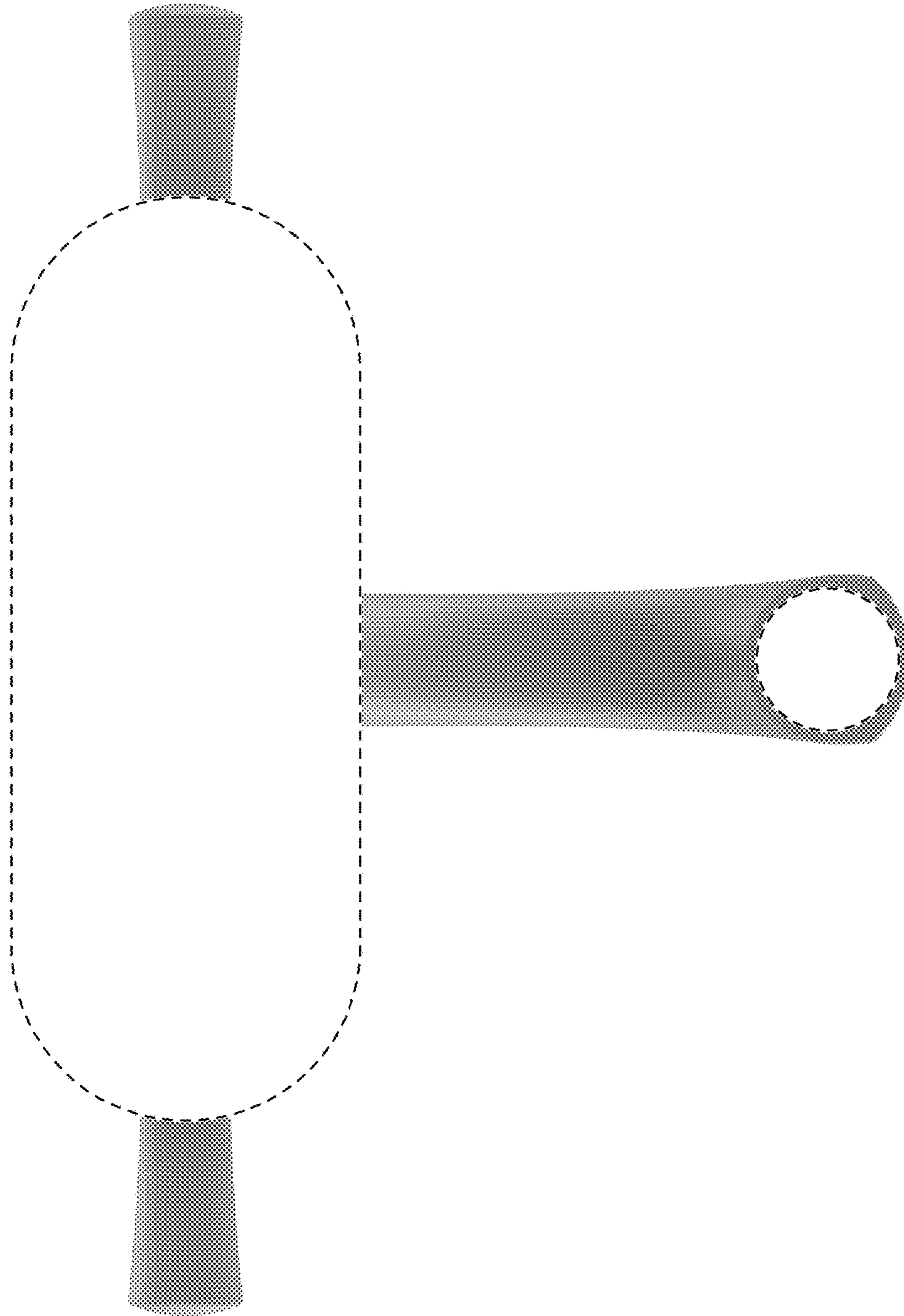


FIG. 7