

US00D823990S

(12) **United States Design Patent**
Downey

(10) **Patent No.:** **US D823,990 S**

(45) **Date of Patent:** **** Jul. 24, 2018**

(54) **TUB FILLER**

(71) Applicant: **Spectrum Brands, Inc.**, Middleton, WI
(US)

(72) Inventor: **David Downey**, Mission Viejo, CA
(US)

(73) Assignee: **Spectrum Brands, Inc.**, Middleton, WI
(US)

(**) Term: **15 Years**

(21) Appl. No.: **29/590,080**

(22) Filed: **Jan. 6, 2017**

(51) **LOC (11) Cl.** **23-01**

(52) **U.S. Cl.**
USPC **D23/242**

(58) **Field of Classification Search**
USPC D23/238-243, 249-250, 252, 254-255,
D23/257; D8/307-308
CPC Y10T 137/9464
See application file for complete search history.

(56) **References Cited**

U.S. PATENT DOCUMENTS

D585,113 S * 1/2009 Friedrich D23/241
D676,530 S * 2/2013 Kwok D23/252

D685,880 S * 7/2013 Fritz D23/242
D745,639 S * 12/2015 Sallick D23/241
D797,245 S * 9/2017 Downey D23/242

* cited by examiner

Primary Examiner — Robert A Delehanty

(74) *Attorney, Agent, or Firm* — Banner & Witcoff, Ltd.

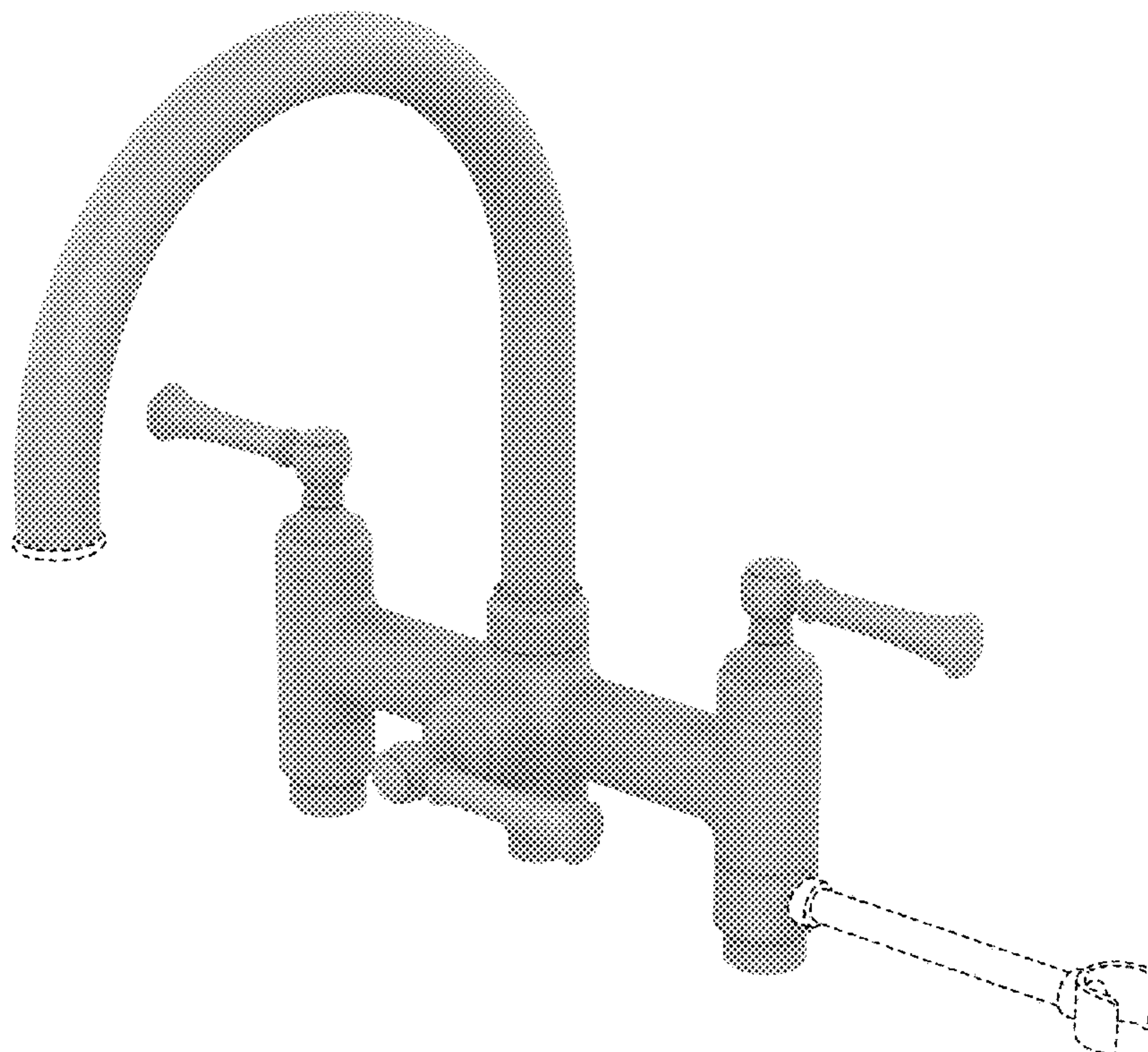
(57) **CLAIM**

The ornamental design for a tub filler, as shown and described.

DESCRIPTION

FIG. 1 is a perspective view of a tub filler showing my new design;
FIG. 2 is a right side view thereof;
FIG. 3 is a left side view thereof;
FIG. 4 is a front view thereof;
FIG. 5 is a rear view thereof;
FIG. 6 is a top view thereof; and,
FIG. 7 is a bottom view thereof.
The broken line showing of the spout opening, the bottom openings, and the extended arm of the tub filler represents unclaimed subject matter and forms no part of the claimed design.

1 Claim, 7 Drawing Sheets



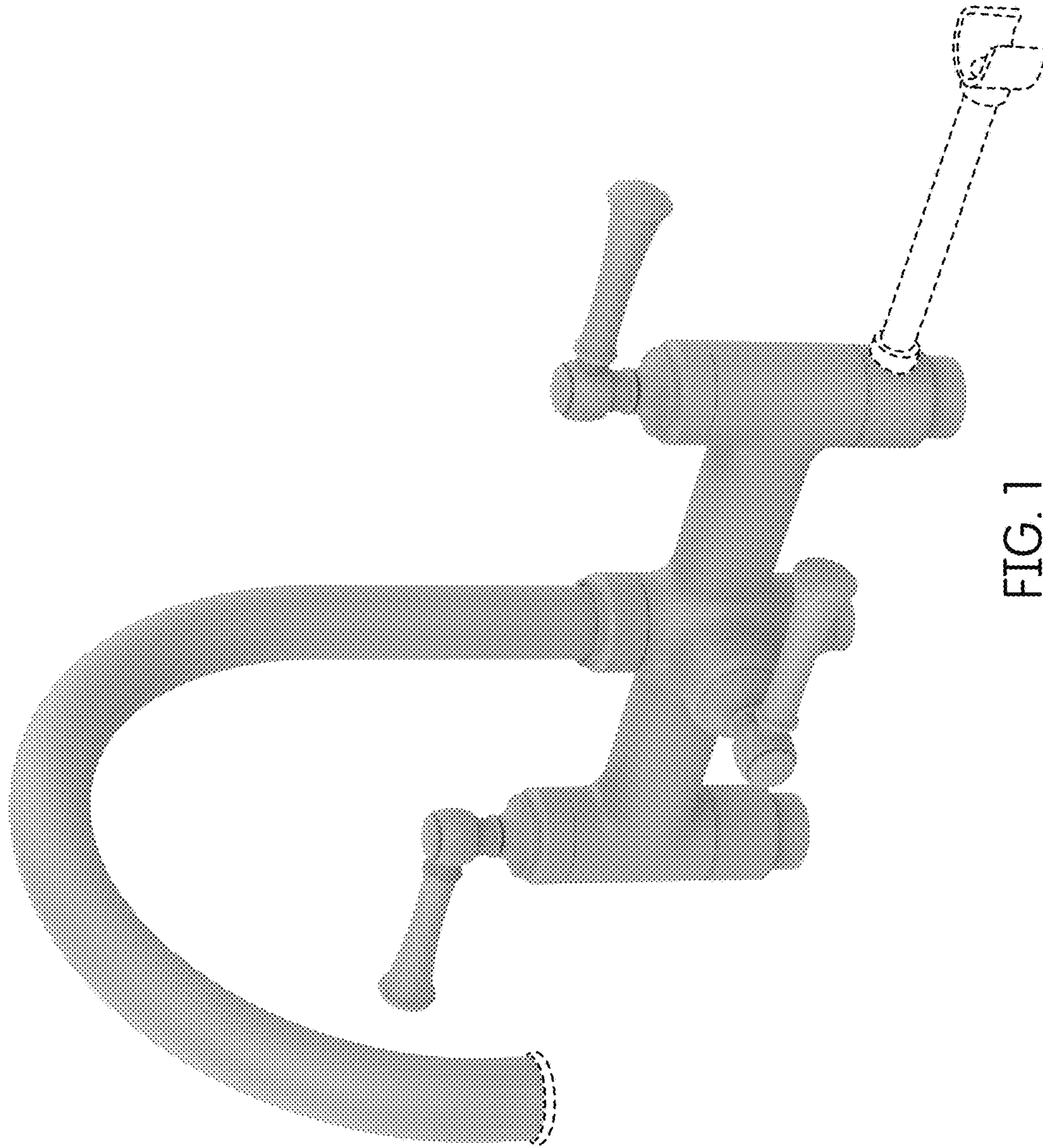


FIG. 1

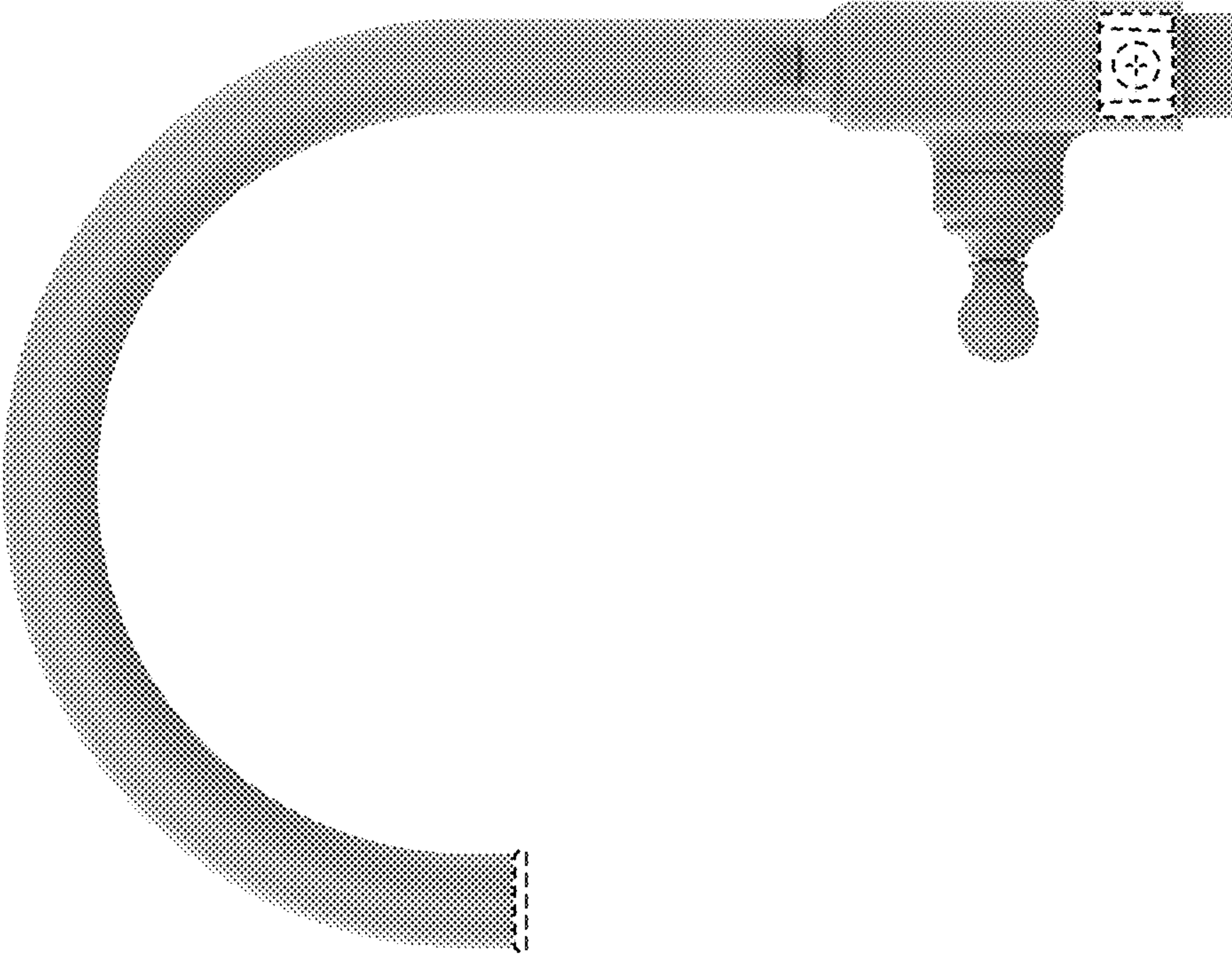


FIG. 2

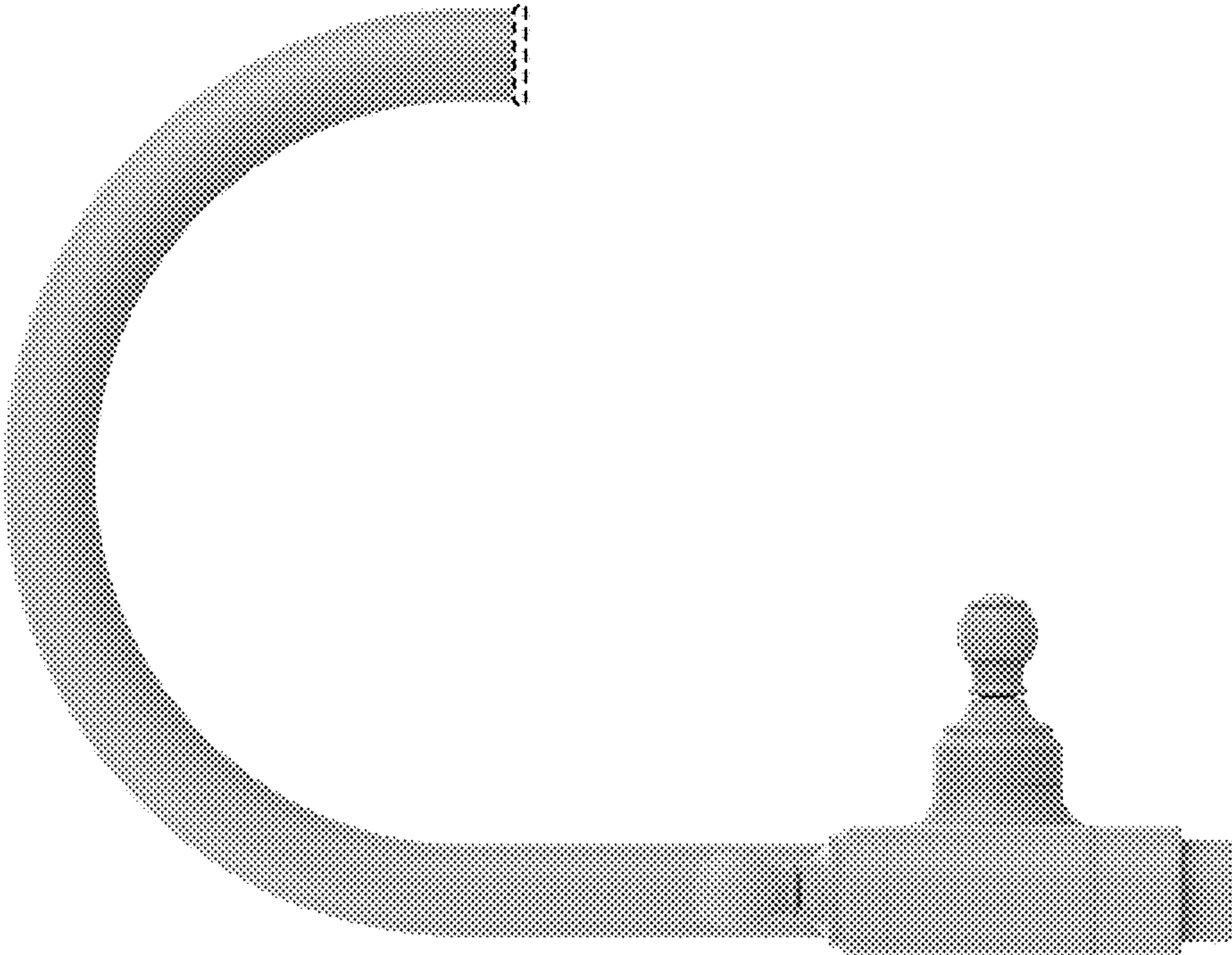


FIG. 3

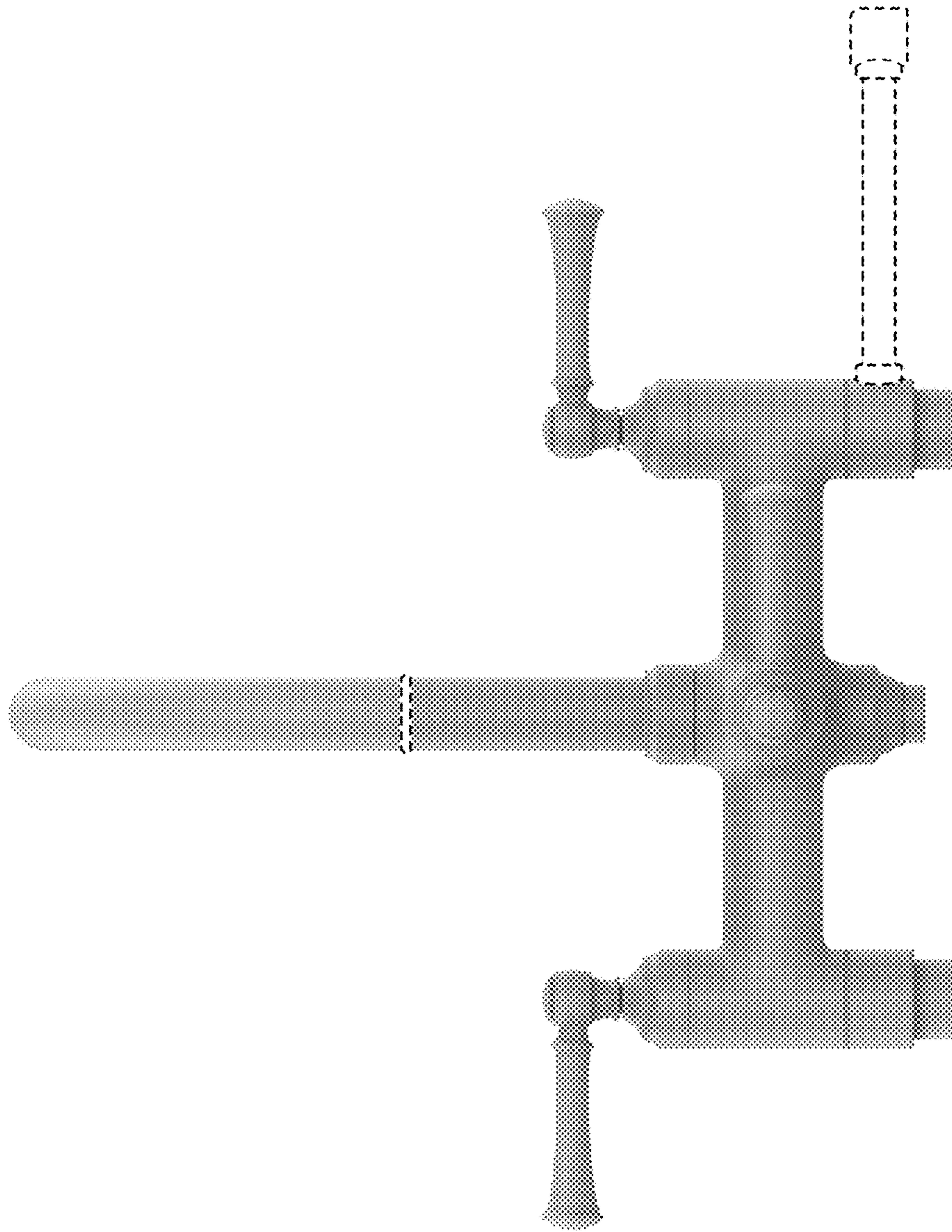


FIG. 4

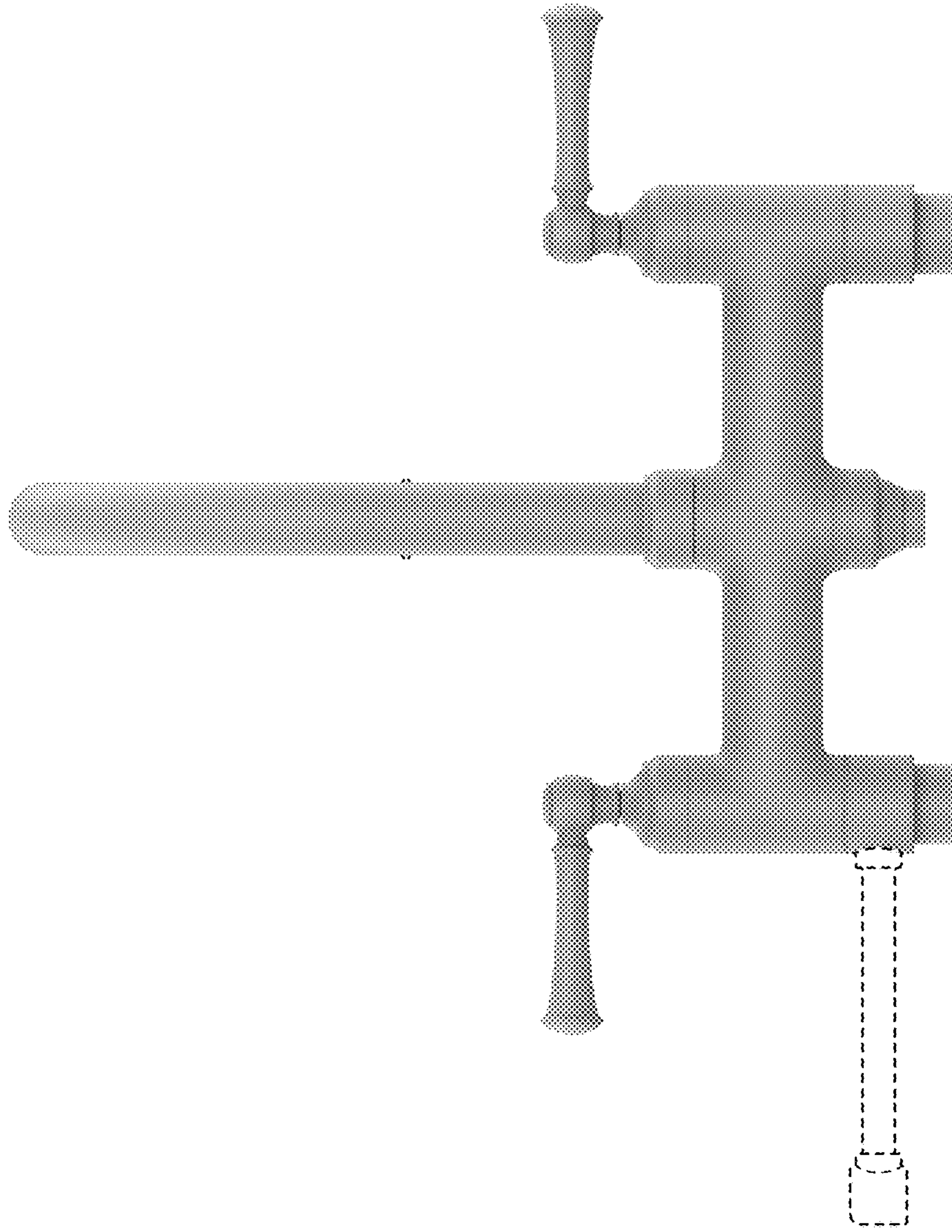


FIG. 5

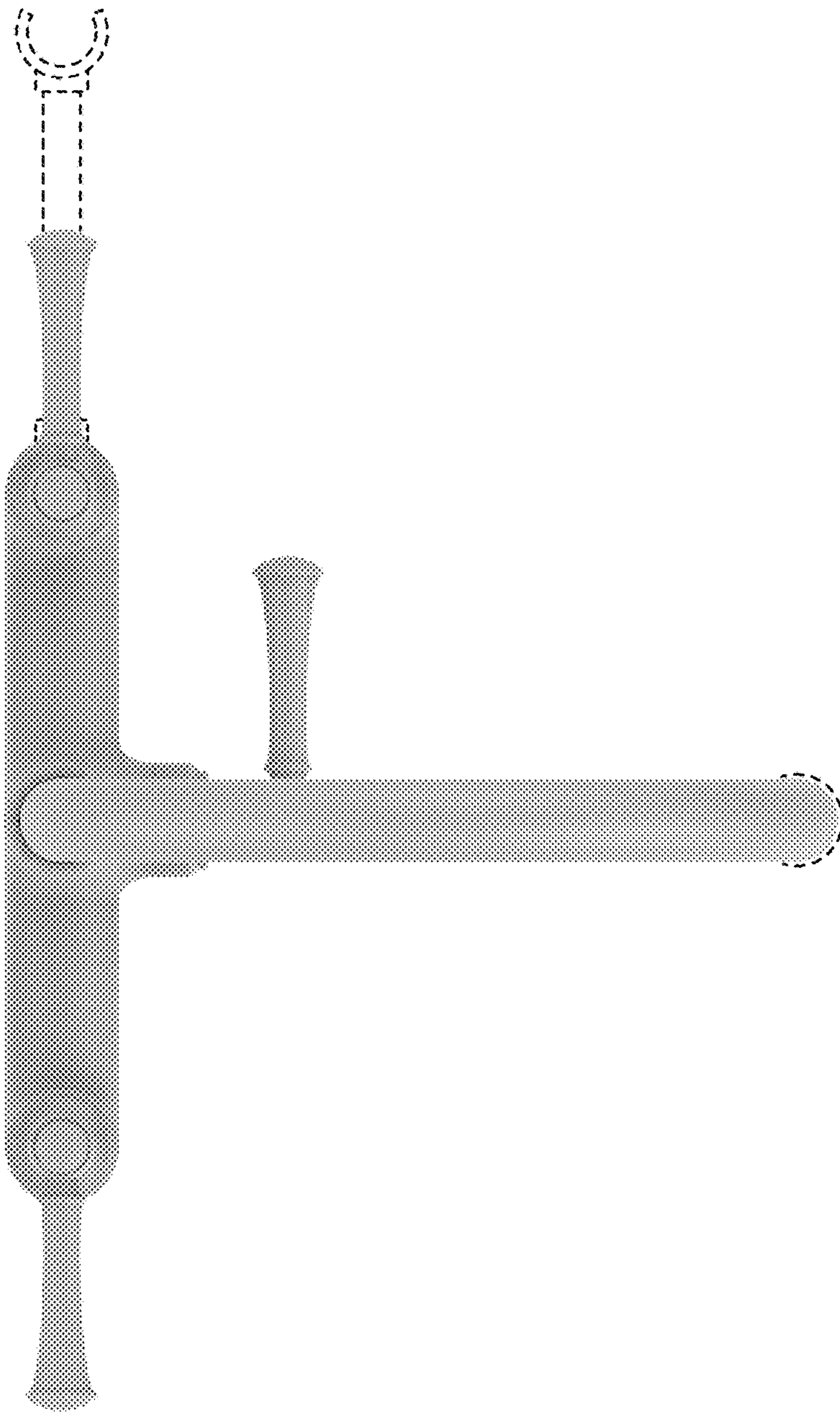


FIG. 6

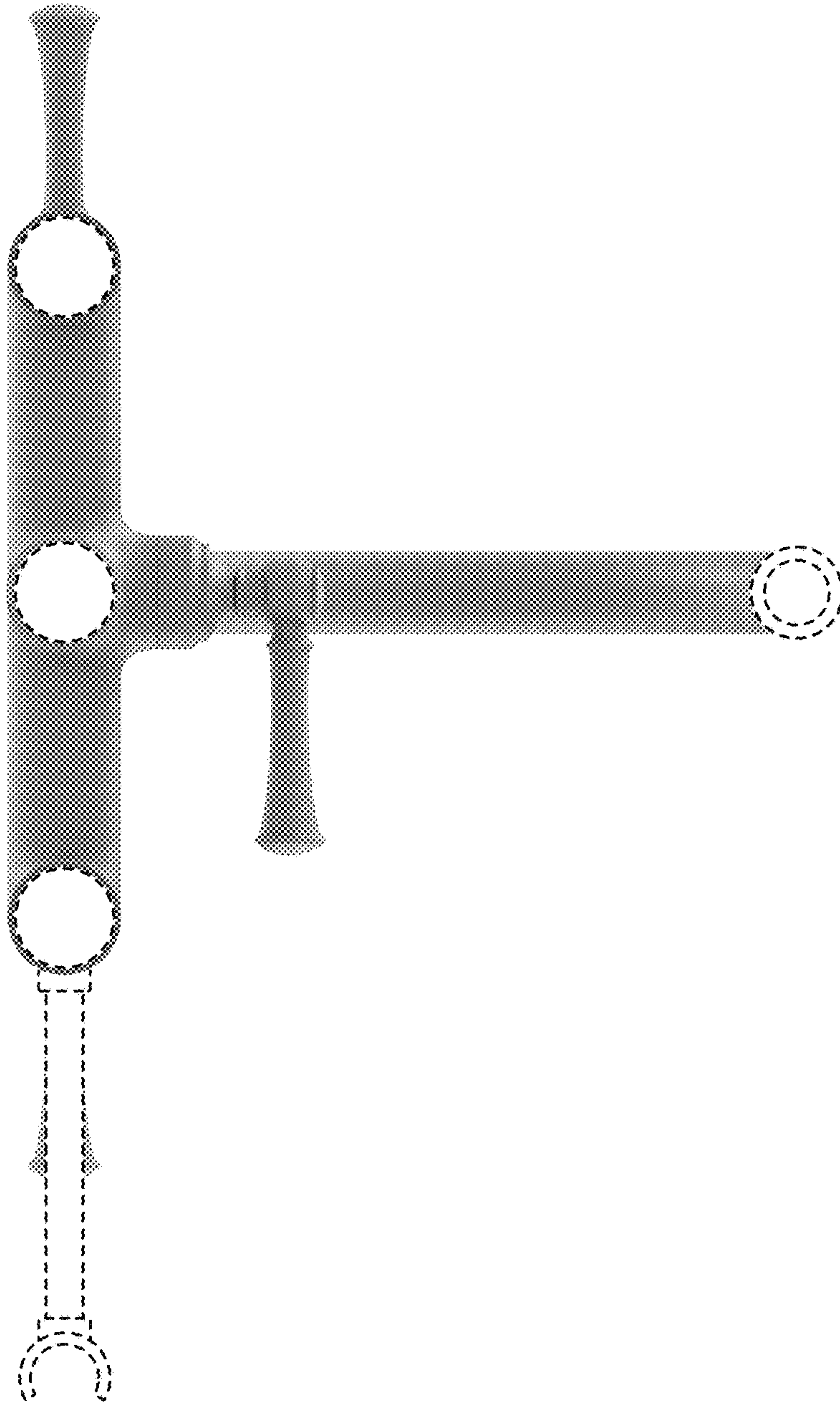


FIG. 7