



US00D823989S

(12) **United States Design Patent** (10) **Patent No.:** **US D823,989 S**  
**Soulier et al.** (45) **Date of Patent:** **\*\* Jul. 24, 2018**

(54) **FAUCET HANDLE**  
(71) Applicant: **Kohler Co.**, Kohler, WI (US)  
(72) Inventors: **Jean-Hugues Soulier**, Paris (FR);  
**Ferran Serra Sola**, Paris (FR)  
(73) Assignee: **KOHLER CO.**, Kohler, WI (US)  
(\*\*) Term: **15 Years**  
(21) Appl. No.: **29/641,529**  
(22) Filed: **Mar. 22, 2018**

D697,589 S 1/2014 Georgeson  
D698,420 S 1/2014 Hahn et al.  
D713,008 S 9/2014 Citterio  
D724,698 S \* 3/2015 Kulig ..... D23/252  
D735,297 S 7/2015 Sieger  
D750,203 S 2/2016 Flowers  
(Continued)

**Related U.S. Application Data**

(62) Division of application No. 29/595,301, filed on Feb. 27, 2017.  
(51) **LOC (11) Cl.** ..... **23-01**  
(52) **U.S. Cl.**  
USPC ..... **D23/238**  
(58) **Field of Classification Search**  
USPC ..... D23/238–243, 249–250, 252–253, 254;  
D8/300, 310  
CPC . E03C 1/0412; E03C 1/0408; Y10T 137/9464  
See application file for complete search history.

**References Cited**

**U.S. PATENT DOCUMENTS**

D466,977 S 12/2002 Cummings  
D469,157 S 1/2003 Lobermeier  
D513,060 S 12/2005 Ouyoung  
D528,189 S 9/2006 Kulig  
D536,065 S 1/2007 Wang  
D571,893 S 6/2008 Celli  
D597,175 S 7/2009 Kulig  
D615,162 S 5/2010 Pan  
D636,061 S \* 4/2011 Kulig ..... D23/238  
D636,062 S 4/2011 Rubin et al.  
D673,652 S \* 1/2013 Thomas ..... D23/238  
D676,531 S 2/2013 Vibe-Petersen

**OTHER PUBLICATIONS**

NPL\_Allmodern\_Single\_Handle; 6 pgs.  
NPL\_Allmodern\_Single\_Handle\_Bathroom; 6pgs.

*Primary Examiner* — Robert A Delehanty  
(74) *Attorney, Agent, or Firm* — Foley & Lardner LLP

(57) **CLAIM**

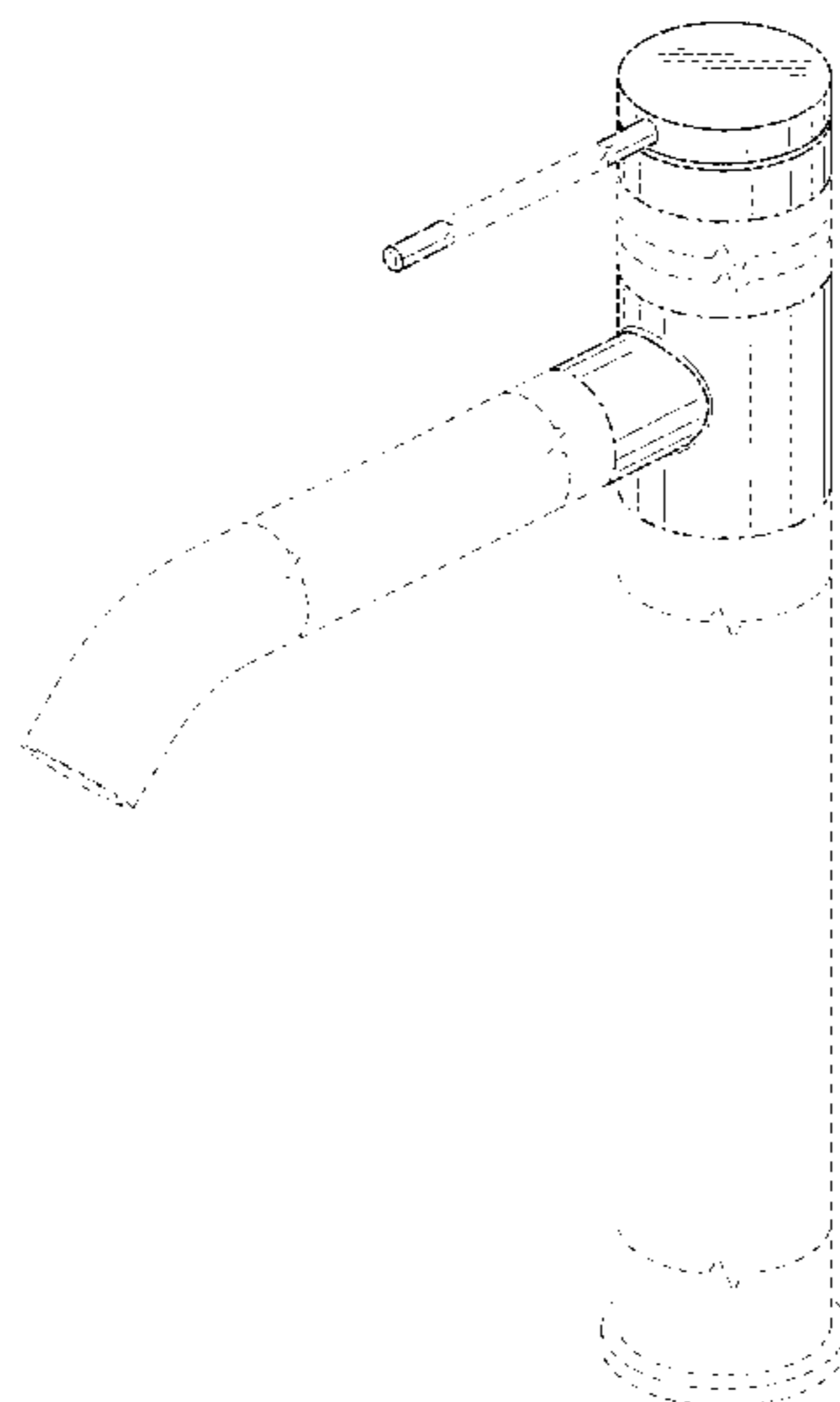
We claim the ornamental design for a faucet handle, as shown and described.

**DESCRIPTION**

FIG. 1 is a top, front, right perspective view of an embodiment of the claimed design;  
FIG. 2 is a right side elevation view thereof;  
FIG. 3 is a left side elevation view thereof;  
FIG. 4 is a front elevation view thereof;  
FIG. 5 is a rear elevation view thereof;  
FIG. 6 is a top plan view thereof; and,  
FIG. 7 is a bottom plan view thereof.

The ornamental design which is claimed is shown in solid lines in the drawings. The broken lines in the drawings are for illustrative purposes only and form no part of the claimed design. Broken lines formed by equal length dashes show unclaimed subject matter. Broken lines formed by unequal length dashes (ie., dash-dot) define bounds of the claimed design. Broken away symbols having a jagged element show that unspecified length of the portion is possible. The appearance of any portion of the article between the broken away symbols forms no part of the claimed design.

**1 Claim, 5 Drawing Sheets**



(56)

**References Cited**

U.S. PATENT DOCUMENTS

D754,295 S	4/2016	Lord	
D755,350 S	5/2016	Rexach	
D758,545 S	6/2016	Yabu	
D767,724 S	9/2016	Flowers	
D771,224 S *	11/2016	Flowers .....	D23/238
D787,020 S	5/2017	Ziemann	
D811,532 S *	2/2018	Schoenherr .....	D23/238
D813,988 S *	3/2018	Schoenherr .....	D23/238

\* cited by examiner

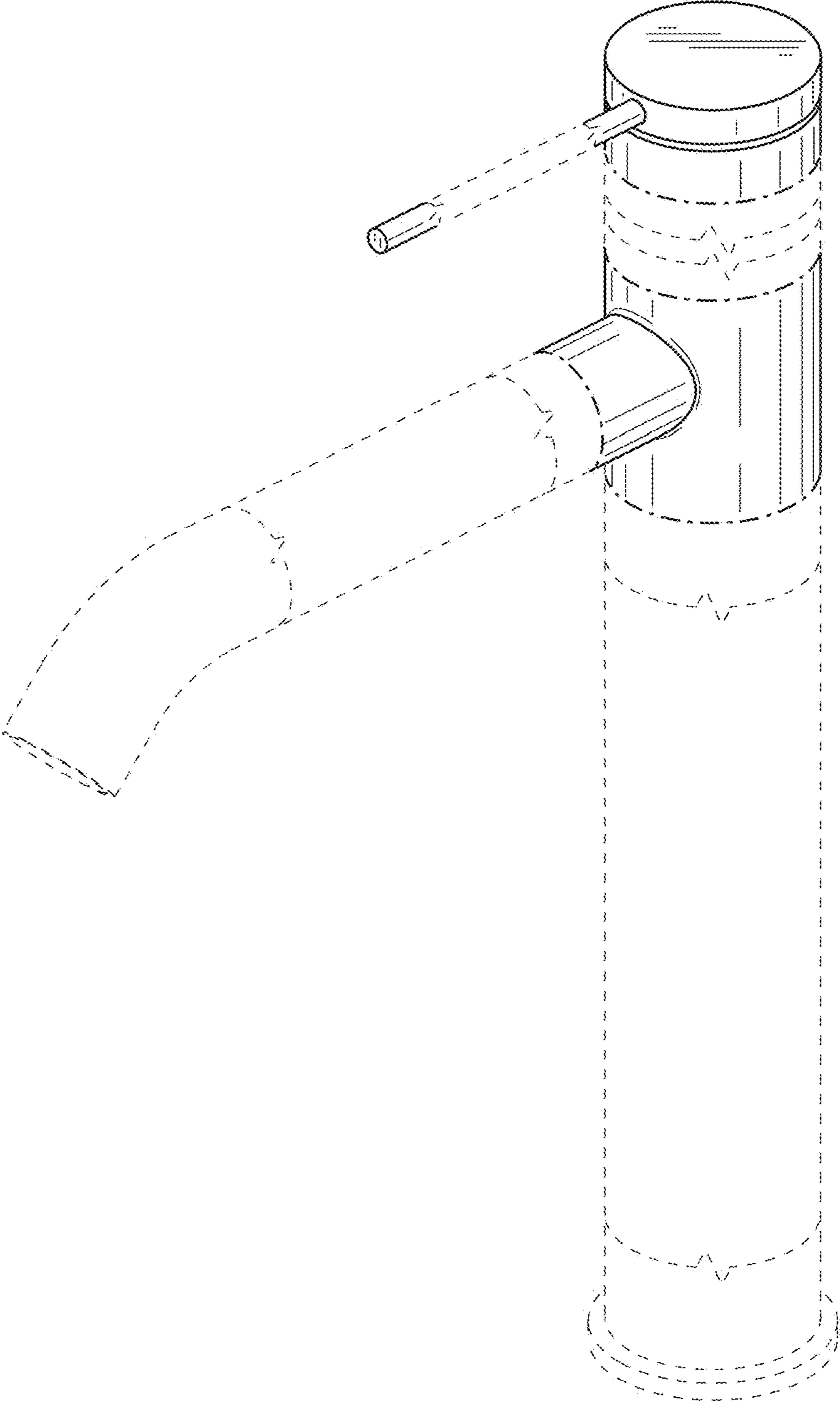


FIG. 1

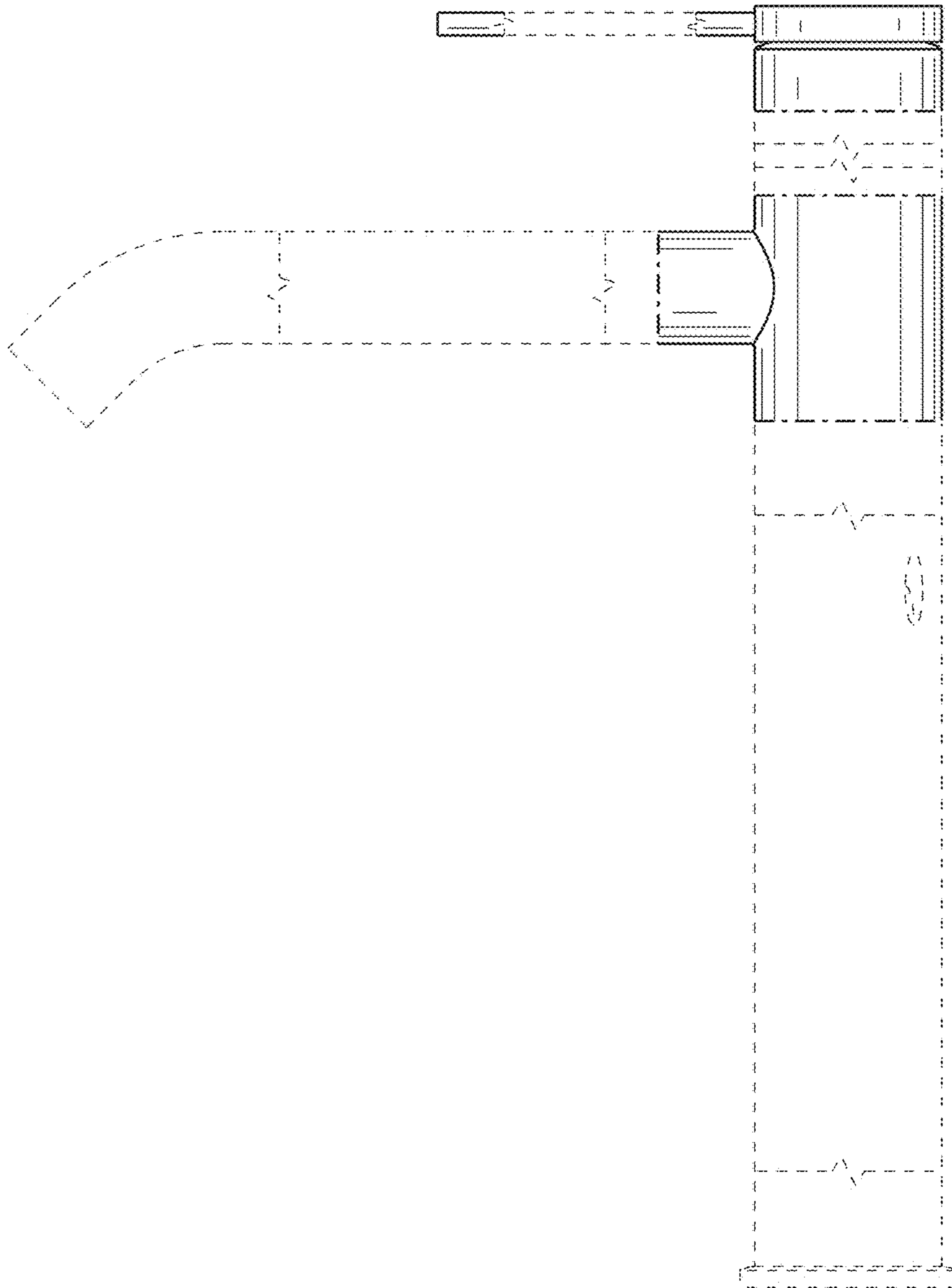


FIG. 2

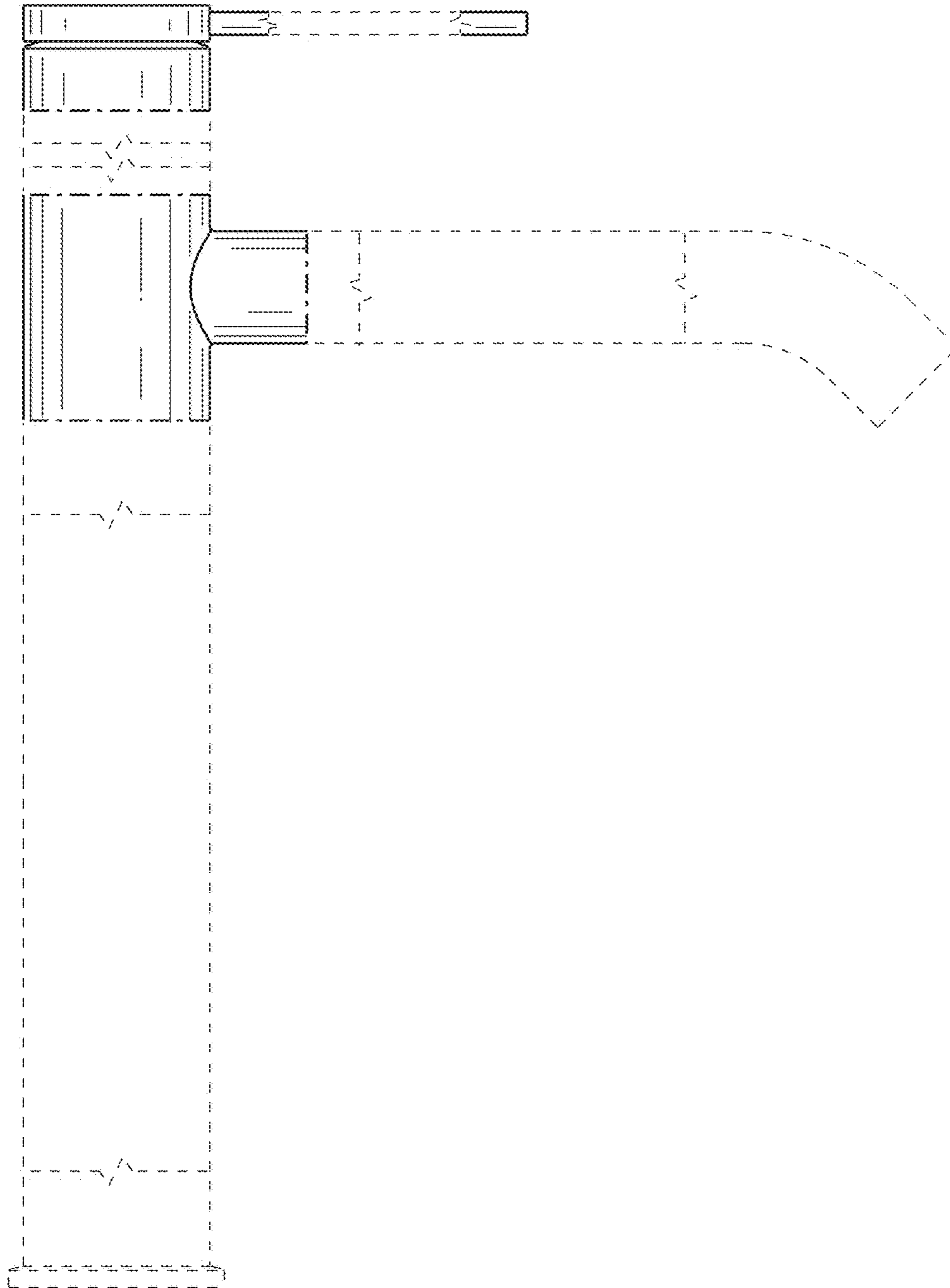


FIG. 3

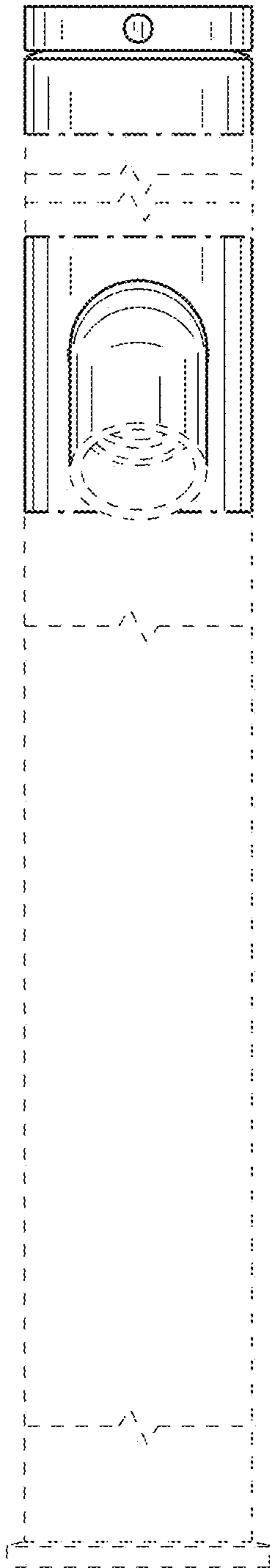


FIG. 4

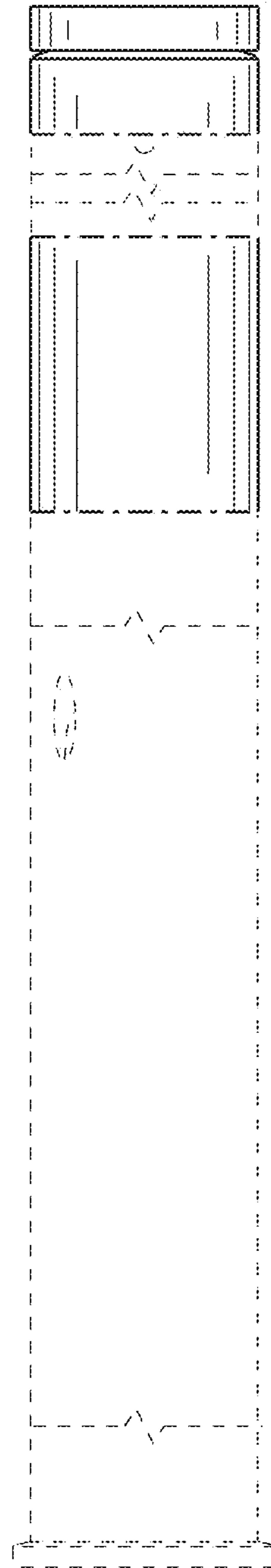


FIG. 5

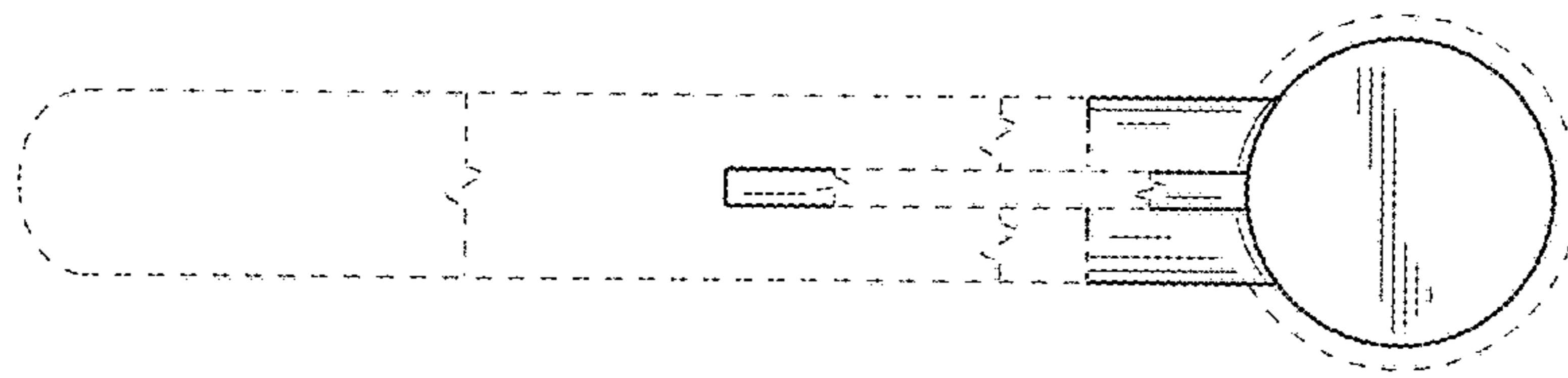


FIG. 6

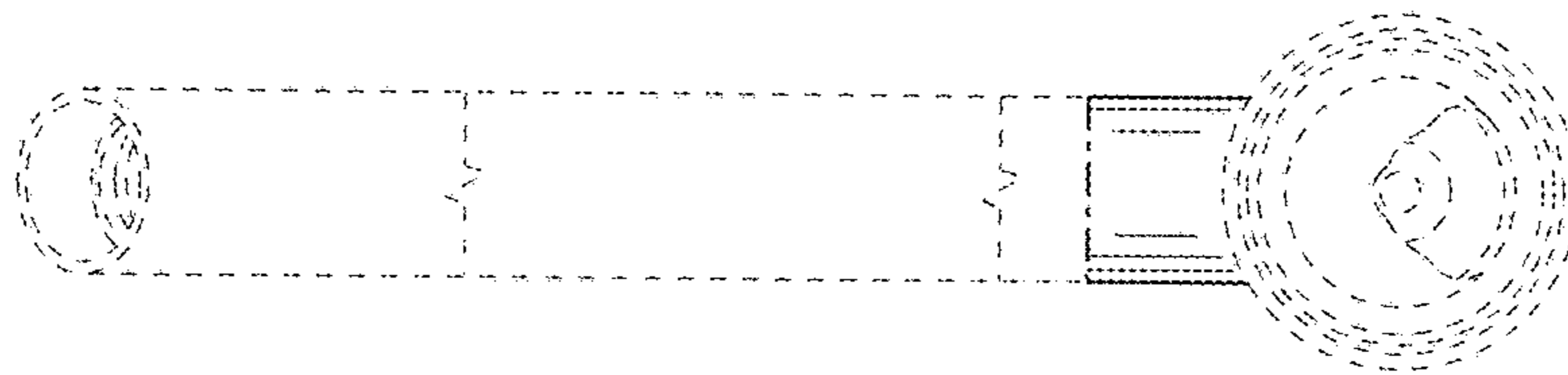


FIG. 7