



US00D823988S

(12) **United States Design Patent** (10) **Patent No.:** **US D823,988 S**
Soulier et al. (45) **Date of Patent:** **** Jul. 24, 2018**

- (54) **FAUCET**
- (71) Applicant: **Kohler Co.**, Kohler, WI (US)
- (72) Inventors: **Jean-Hugues Soulier**, Paris (FR);
Ferran Serra Sola, Paris (FR)
- (73) Assignee: **KOHLER CO.**, Kohler, WI (US)
- (**) Term: **15 Years**
- (21) Appl. No.: **29/641,524**
- (22) Filed: **Mar. 22, 2018**

- D697,589 S 1/2014 Georgeson
- D698,420 S 1/2014 Hahn et al.
- D713,008 S 9/2014 Citterio
- D735,297 S 7/2015 Sieger
- D750,203 S 2/2016 Flowers
- D754,295 S 4/2016 Lord
- (Continued)

Related U.S. Application Data

- (62) Division of application No. 29/595,301, filed on Feb. 27, 2017.
- (51) **LOC (11) Cl.** **23-01**
- (52) **U.S. Cl.**
USPC **D23/238**
- (58) **Field of Classification Search**
USPC D23/238–243, 249–250, 252–253, 254;
D8/300, 310
CPC . E03C 1/0412; E03C 1/0408; Y10T 137/9464
See application file for complete search history.

References Cited

U.S. PATENT DOCUMENTS

- D466,977 S 12/2002 Cummings
- D469,157 S 1/2003 Lobermeier
- D479,309 S * 9/2003 Haug D23/238
- D513,060 S 12/2005 Ouyoung
- D528,189 S 9/2006 Kulig
- D536,065 S 1/2007 Wang
- D571,893 S 6/2008 Celli
- D597,175 S 7/2009 Kulig
- D615,162 S 5/2010 Pan
- D636,062 S 4/2011 Rubin et al.
- D666,276 S * 8/2012 Fritz D23/238
- D676,531 S 2/2013 Vibe-Petersen

OTHER PUBLICATIONS

- NPL_Allmodern_Single_Handle; 6 pgs.
- NPL_Allmodern_Single_Handle_Bathroom; 6pgs.

Primary Examiner — Robert A Delehanty

(74) *Attorney, Agent, or Firm* — Foley & Lardner LLP

(57) **CLAIM**

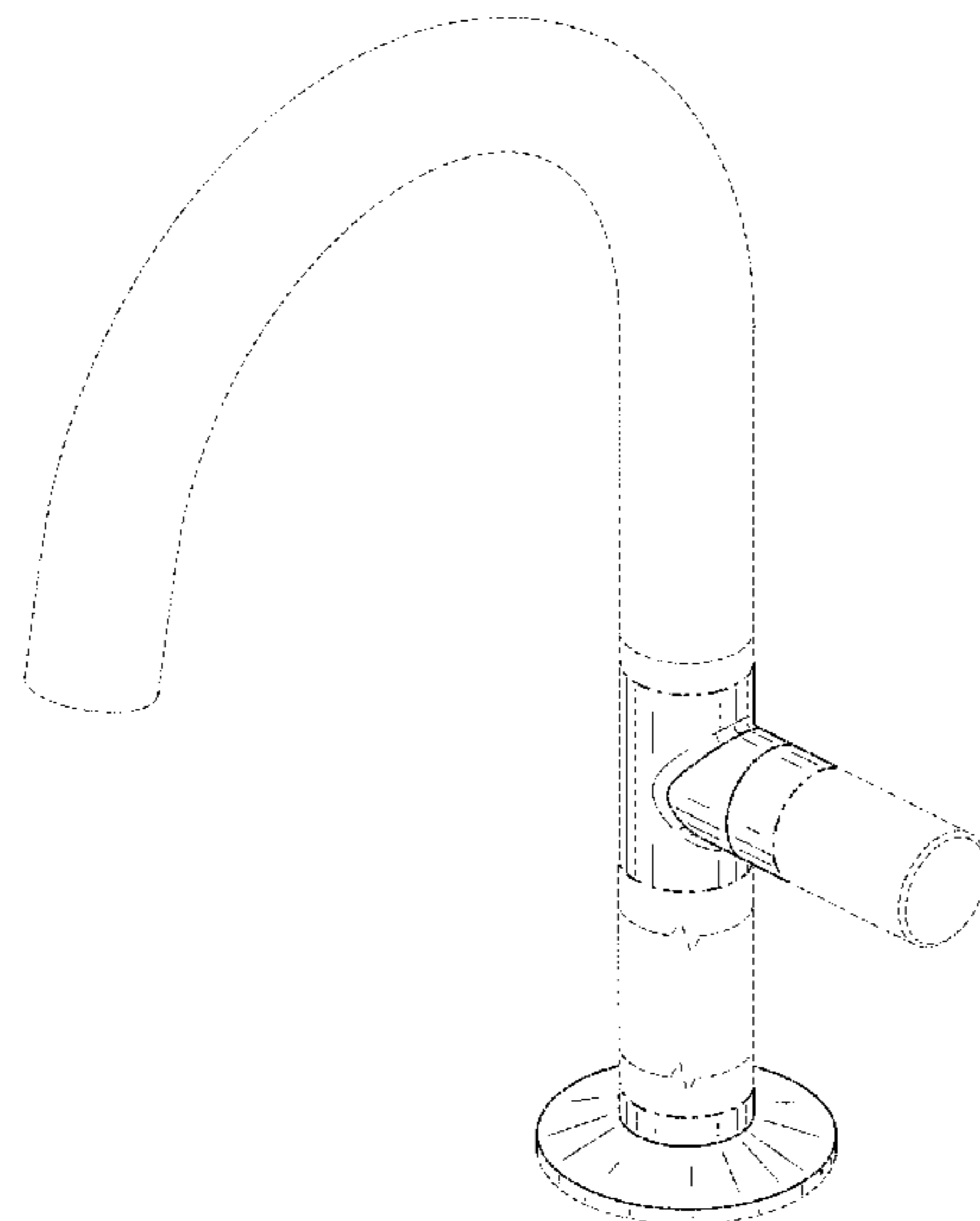
We claim the ornamental design for a faucet, as shown and described.

DESCRIPTION

FIG. 1 is a top, front, right perspective view of an embodiment of the claimed design;
 FIG. 2 is a right side elevation view thereof;
 FIG. 3 is a left side elevation view thereof;
 FIG. 4 is a front elevation view thereof;
 FIG. 5 is a rear elevation view thereof;
 FIG. 6 is a top plan view thereof; and,
 FIG. 7 is a bottom plan view thereof.

The ornamental design which is claimed is shown in solid lines in the drawings. The broken lines in the drawings are for illustrative purposes only and form no part of the claimed design. Broken lines formed by equal length dashes show unclaimed subject matter. Broken lines formed by unequal length dashes (i.e., dash-dot) define bounds of the claimed design. Broken away symbols having a jagged element show that unspecified length of the portion is possible. The appearance of any portion of the article between the broken away symbols forms no part of the claimed design.

1 Claim, 5 Drawing Sheets



(56)

References Cited

U.S. PATENT DOCUMENTS

D755,350 S	5/2016	Rexach	
D758,545 S	6/2016	Yabu	
D767,724 S	9/2016	Flowers	
D787,020 S	5/2017	Ziemann	
D803,989 S *	11/2017	Flowers	D23/250
D807,476 S *	1/2018	Haug	D23/238
D811,552 S *	2/2018	Fritz	D23/255

* cited by examiner

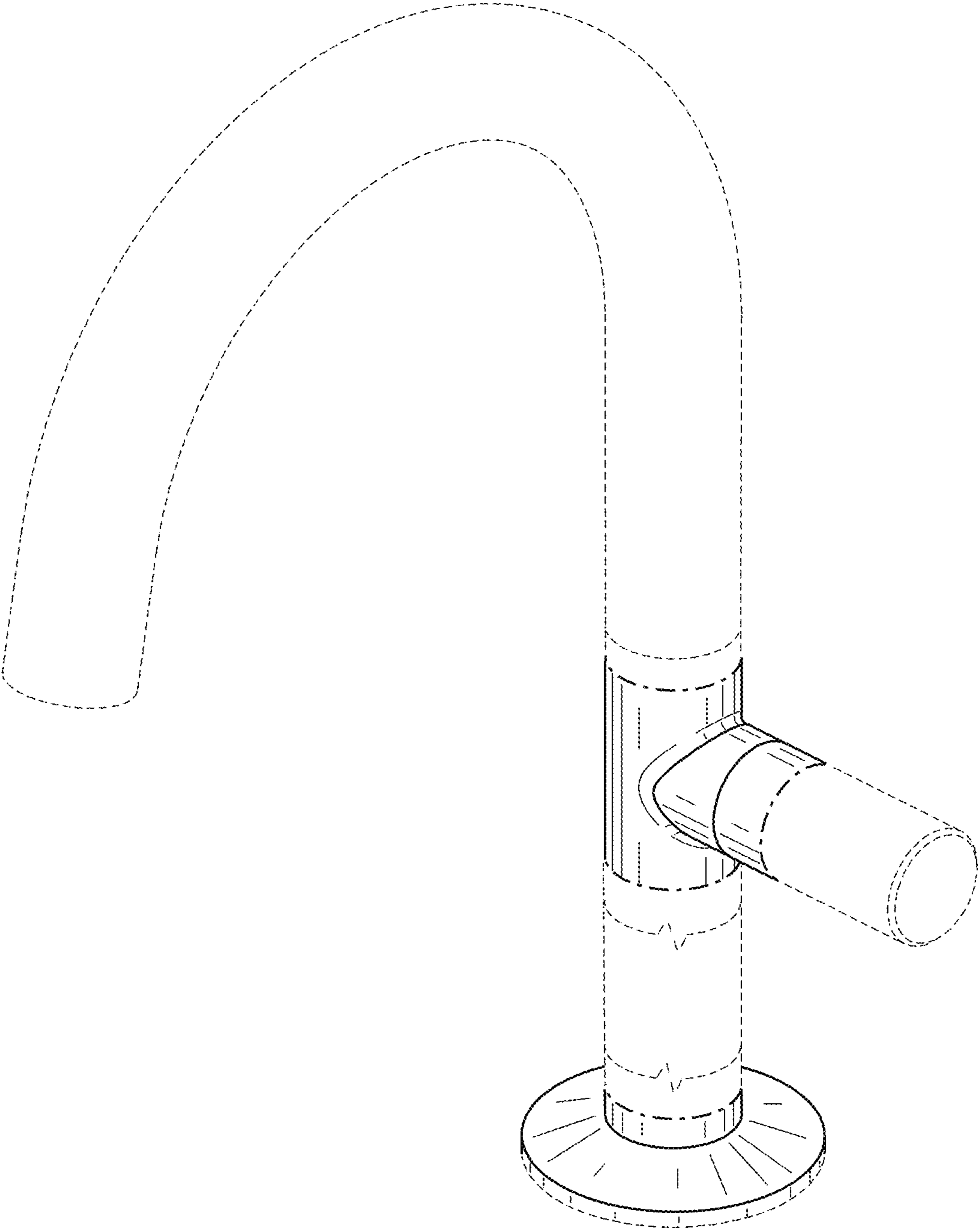


FIG. 1

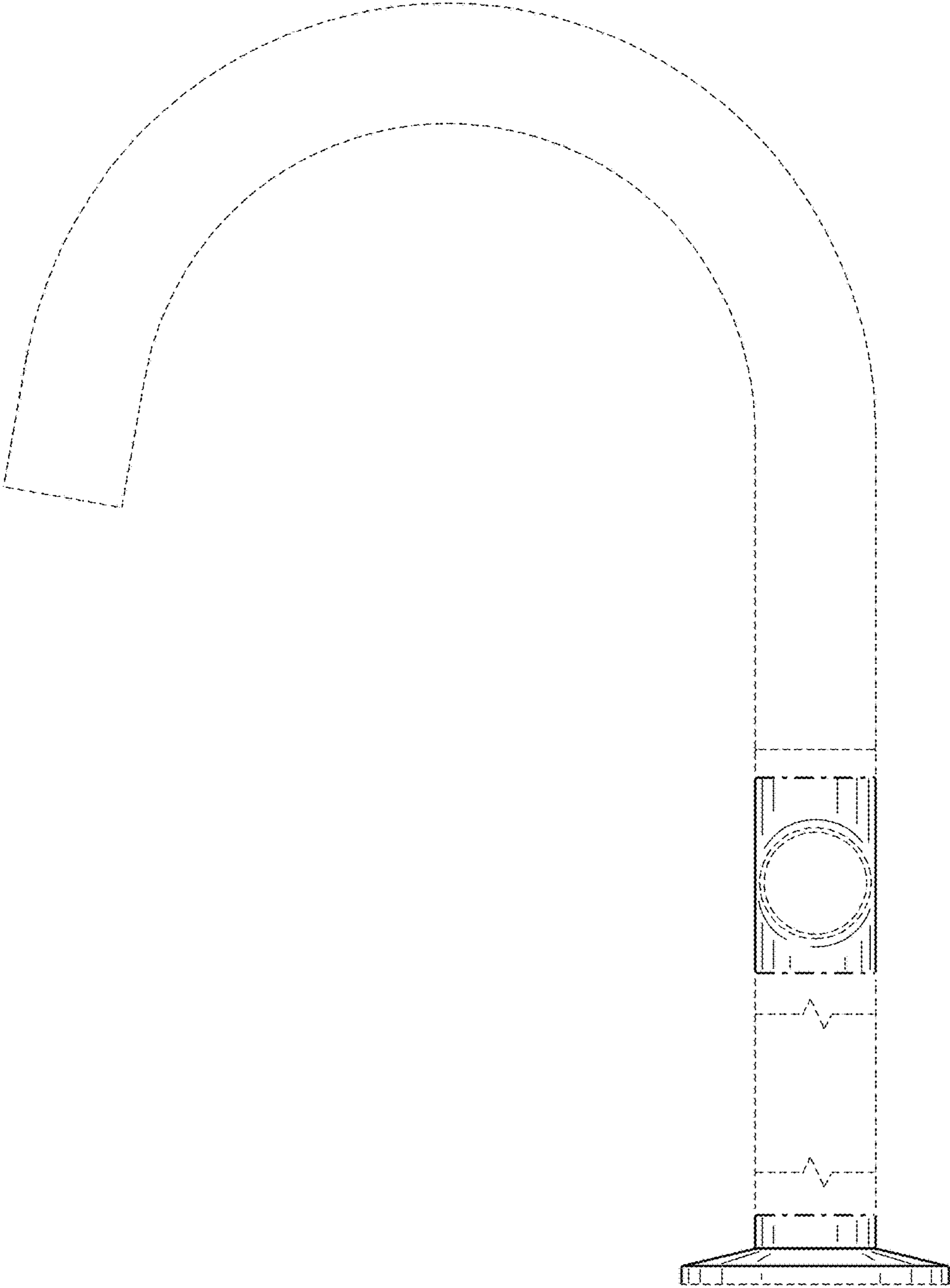


FIG. 2

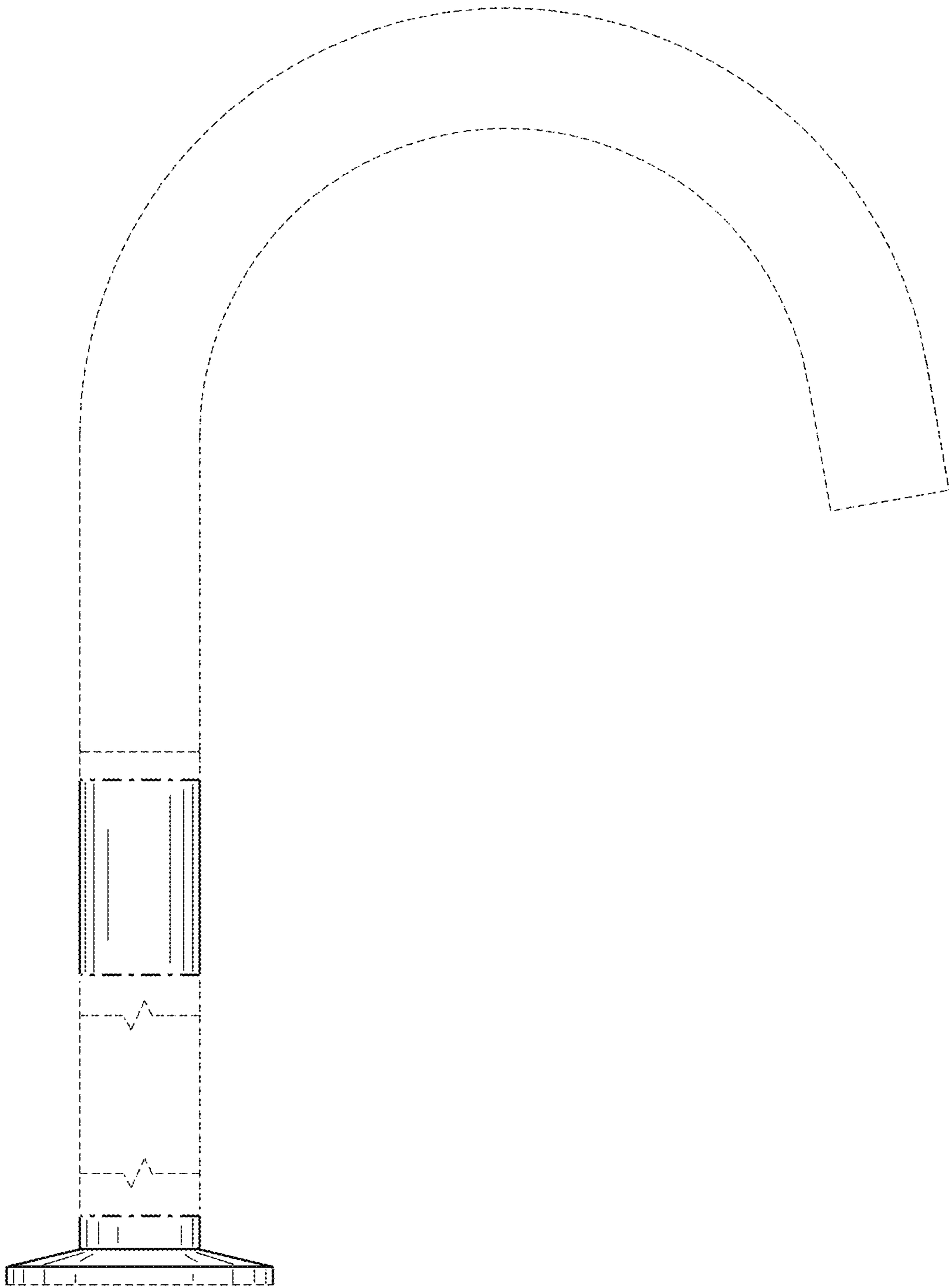


FIG. 3

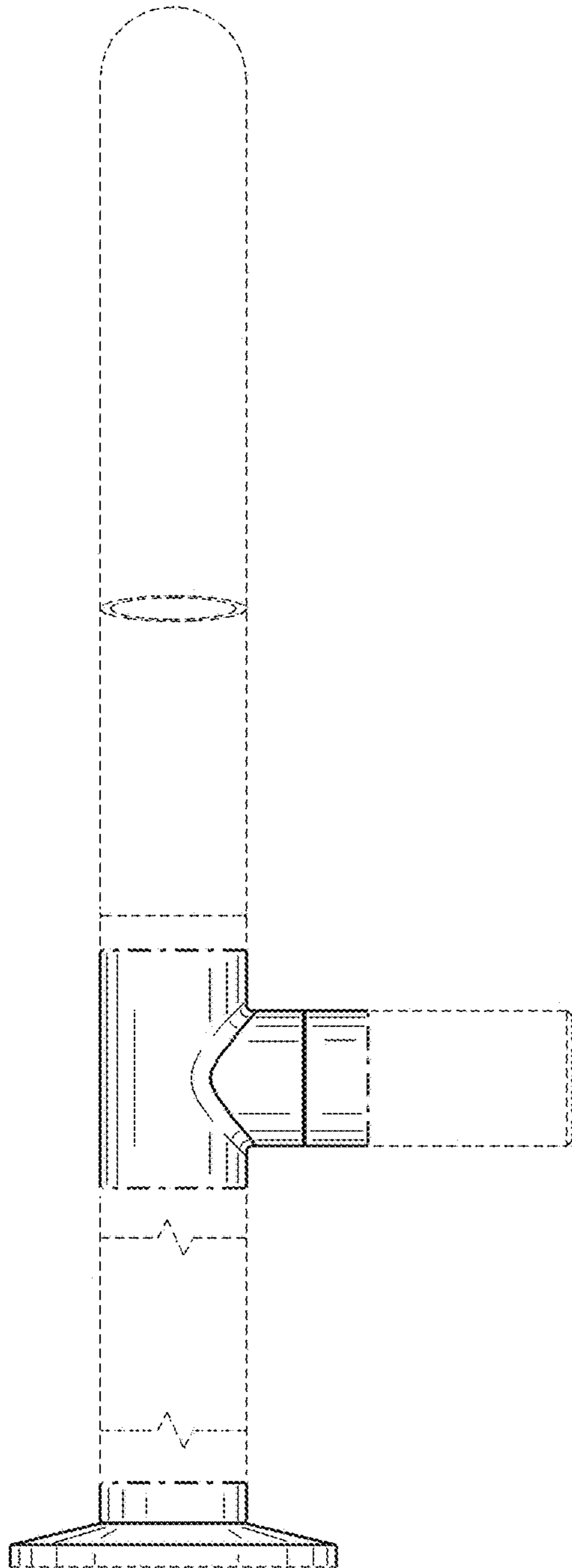


FIG. 4

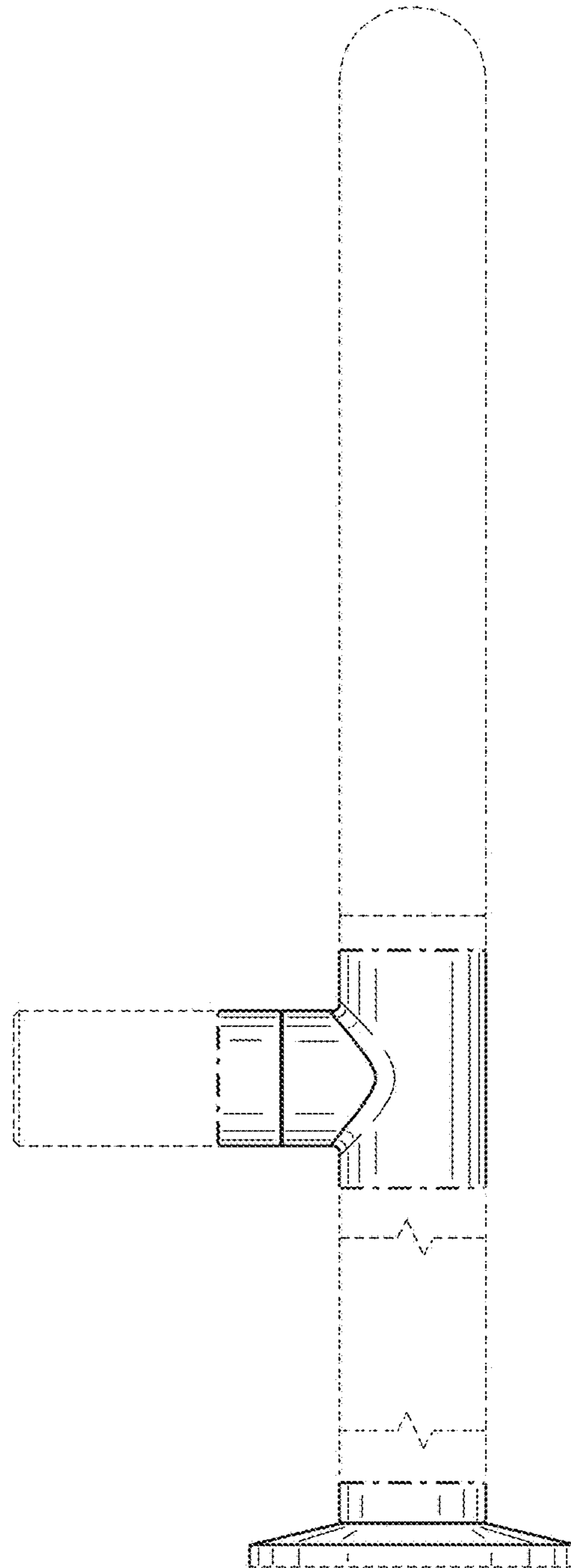


FIG. 5

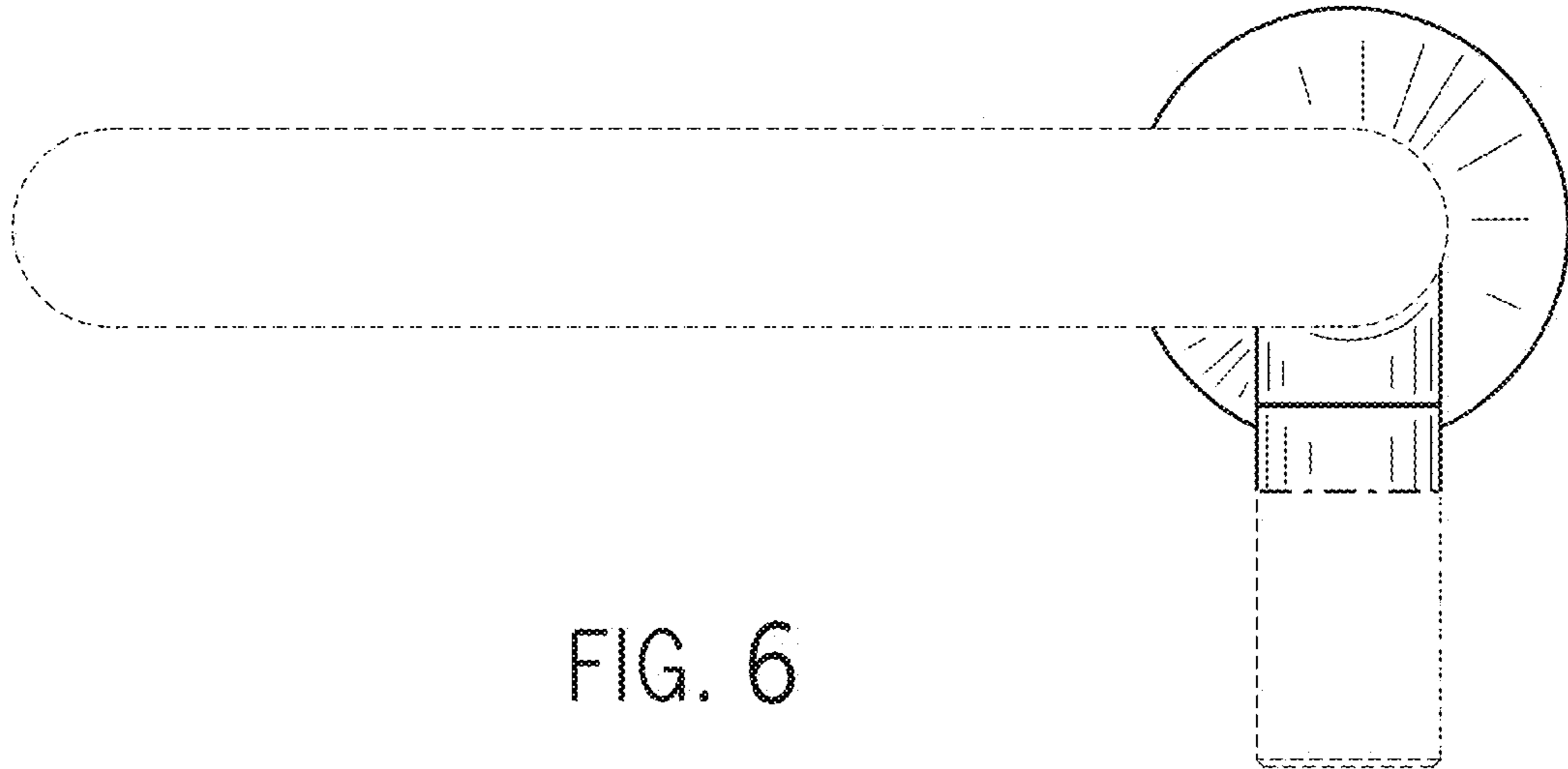


FIG. 6

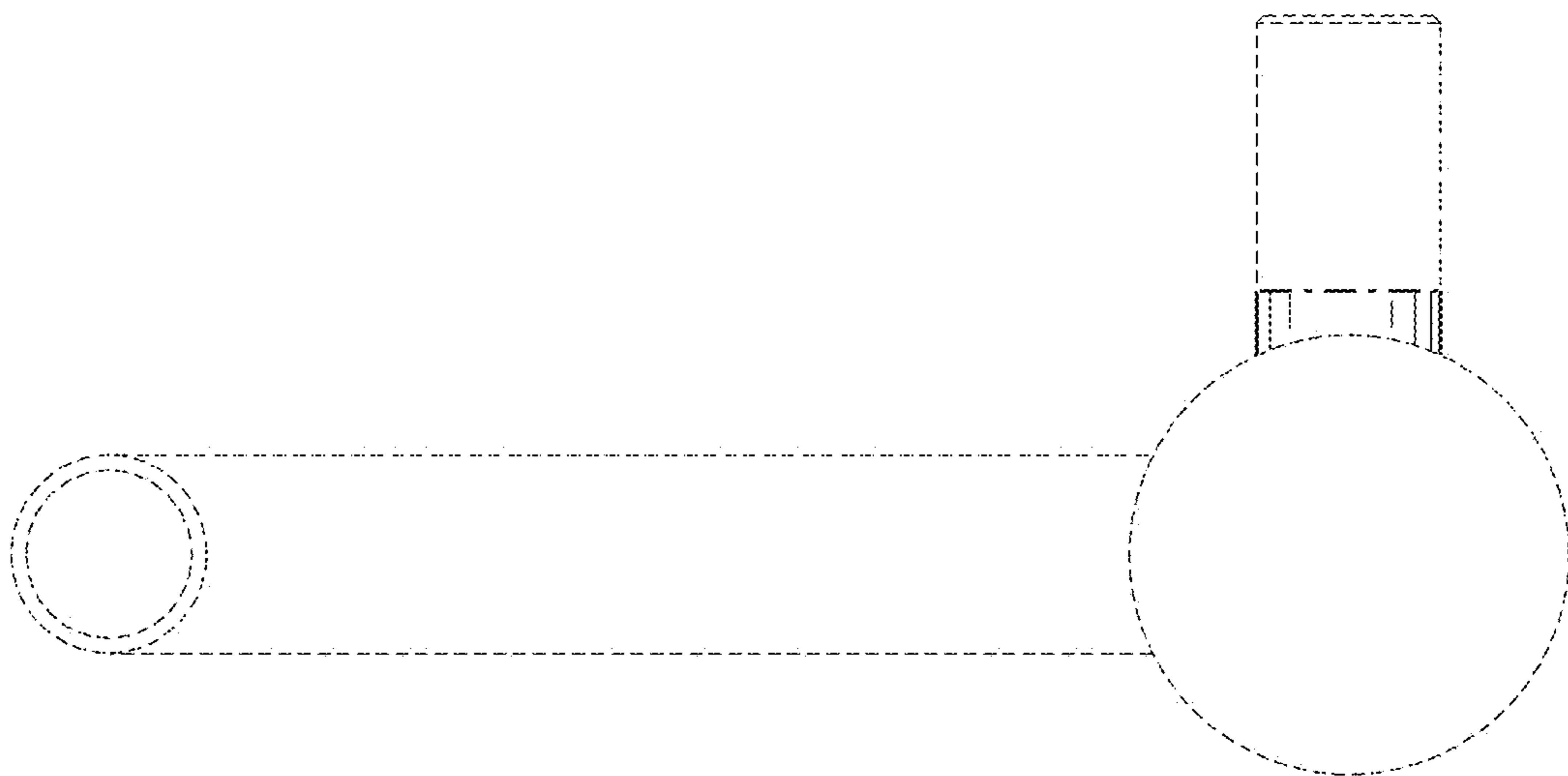


FIG. 7