



US00D823986S

(12) **United States Design Patent**  
**Pledger et al.**

(10) **Patent No.:** **US D823,986 S**  
(45) **Date of Patent:** **\*\* Jul. 24, 2018**

(54) **MISTING SYSTEM**  
(71) Applicants: **Alan R. Pledger**, Hurricane, UT (US);  
**William B. Cooke**, Hurricane, UT (US)  
(72) Inventors: **Alan R. Pledger**, Hurricane, UT (US);  
**William B. Cooke**, Hurricane, UT (US)  
(\*\*) Term: **15 Years**

6,682,000 B1 \* 1/2004 Apple ..... A45B 3/00  
239/289  
6,886,759 B1 \* 5/2005 Okronick ..... A45B 3/00  
239/16  
7,104,270 B2 \* 9/2006 Dong ..... A45B 3/00  
135/16  
D703,290 S \* 4/2014 Mora ..... D23/213  
9,681,755 B1 \* 6/2017 Schober ..... A47C 15/006  
9,750,318 B2 \* 9/2017 Rao ..... A45B 25/18

\* cited by examiner

(21) Appl. No.: **29/620,581**  
(22) Filed: **Mar. 2, 2017**  
(51) **LOC (11) Cl.** ..... **23-01**  
(52) **U.S. Cl.**  
USPC ..... **D23/213**; D23/214  
(58) **Field of Classification Search**  
USPC ..... D23/213, 228, 214; 239/289; 135/15.1,  
135/16  
CPC . A45B 2200/1045; A45B 25/18; A45B 25/22;  
A45B 3/00; A47C 1/143  
See application file for complete search history.

*Primary Examiner* — Robin V Webster

(74) *Attorney, Agent, or Firm* — Paul R. Martin

(56) **References Cited**

U.S. PATENT DOCUMENTS

5,000,384 A \* 3/1991 Arnold ..... A47C 1/14  
165/48.2  
D365,141 S \* 12/1995 Palestrant ..... D23/213  
D416,073 S \* 11/1999 Louis ..... D23/213  
D422,051 S \* 3/2000 Louis, Jr. .... D23/213  
6,105,594 A \* 8/2000 Diaz ..... A45B 11/00  
135/16  
6,158,669 A \* 12/2000 Louis ..... B05B 9/0805  
239/146

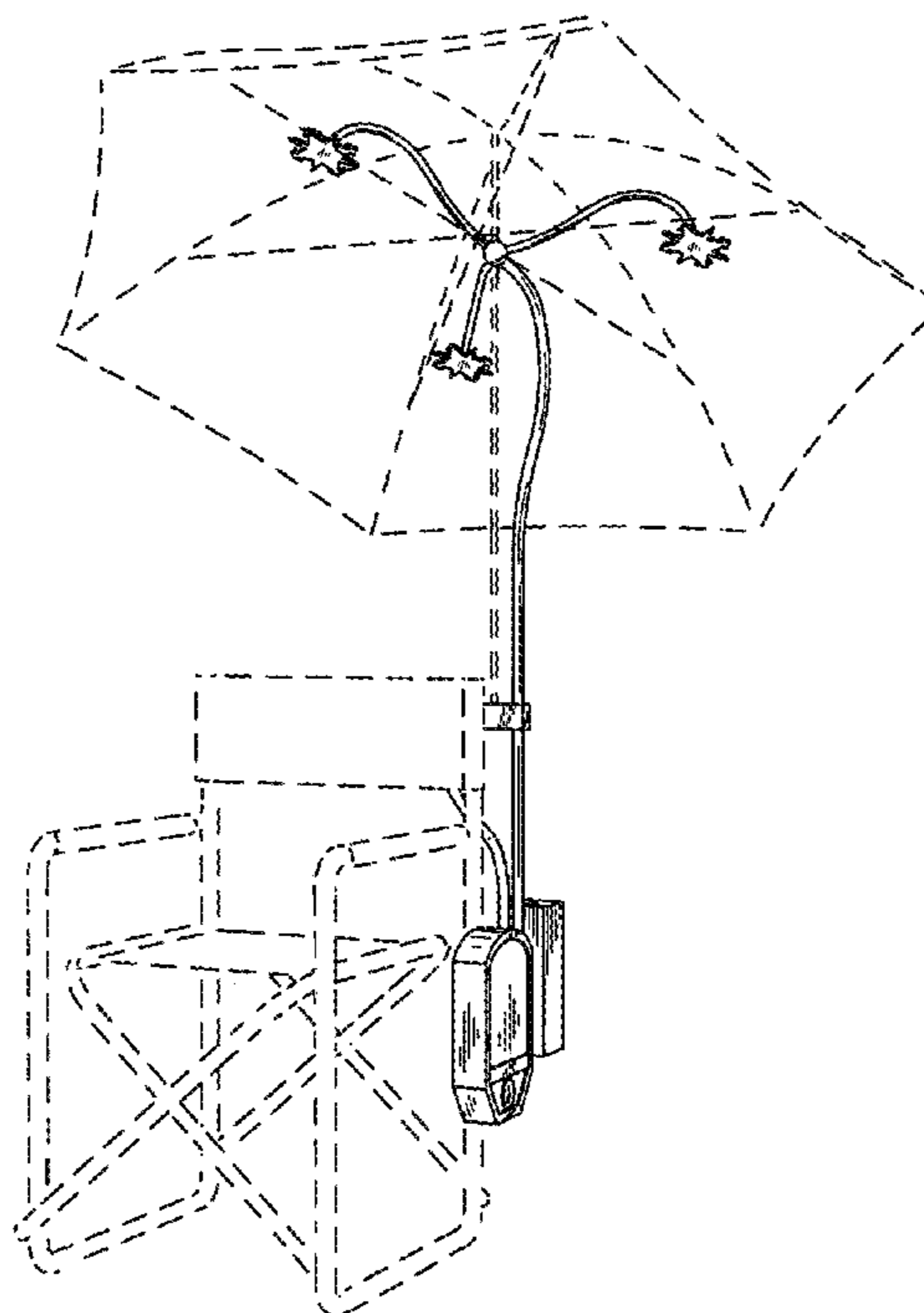
(57) **CLAIM**

The ornamental design for a misting system, as shown and described.

**DESCRIPTION**

FIG. 1 is a perspective view or the misting system of our new design, showing it being used in conjunction with a chair and open umbrella.  
FIG. 2. Is a front elevational view thereof.  
FIG. 3 is a back elevational view thereof.  
FIG. 4 is a right side elevational view thereof.  
FIG. 5 is a left side elevational view thereof.  
FIG. 6 is a bottom plan view thereof; and,  
FIG. 7 is a top plan view thereof.  
The broken line elements of FIG. 1, showing a chair and open umbrella, are environmental and form no part of my new design.

**1 Claim, 7 Drawing Sheets**



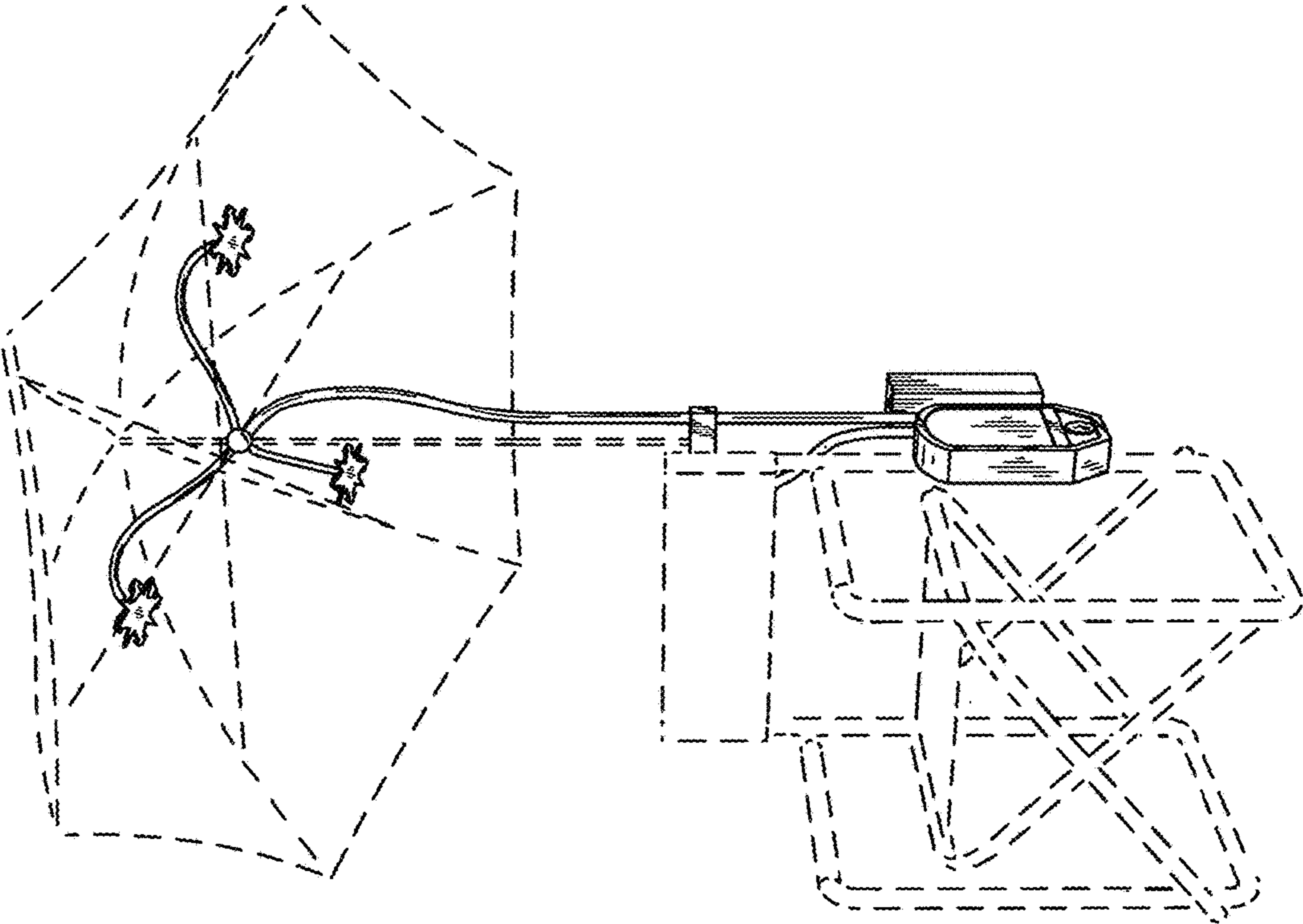


FIG. 1

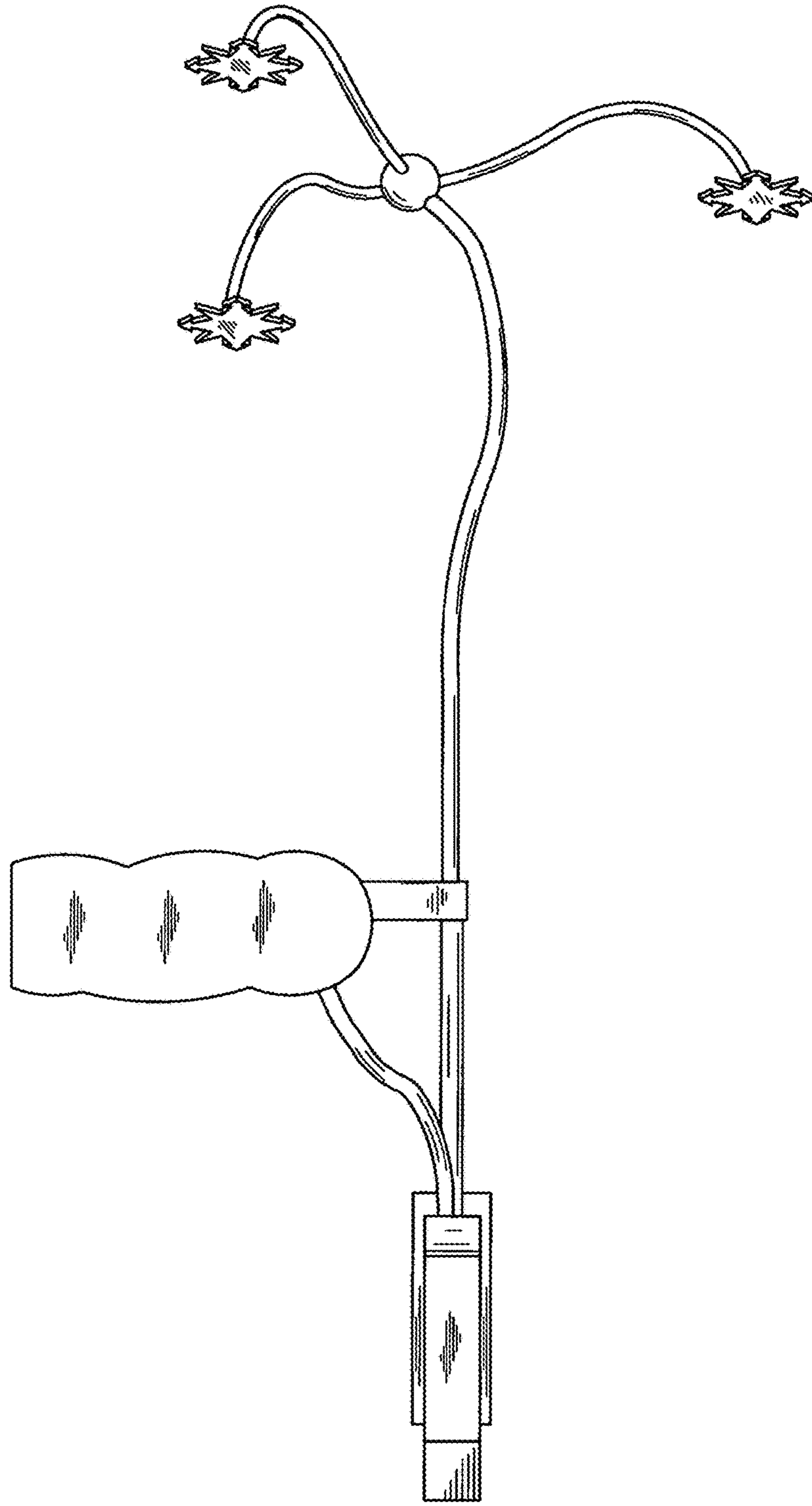


FIG. 2

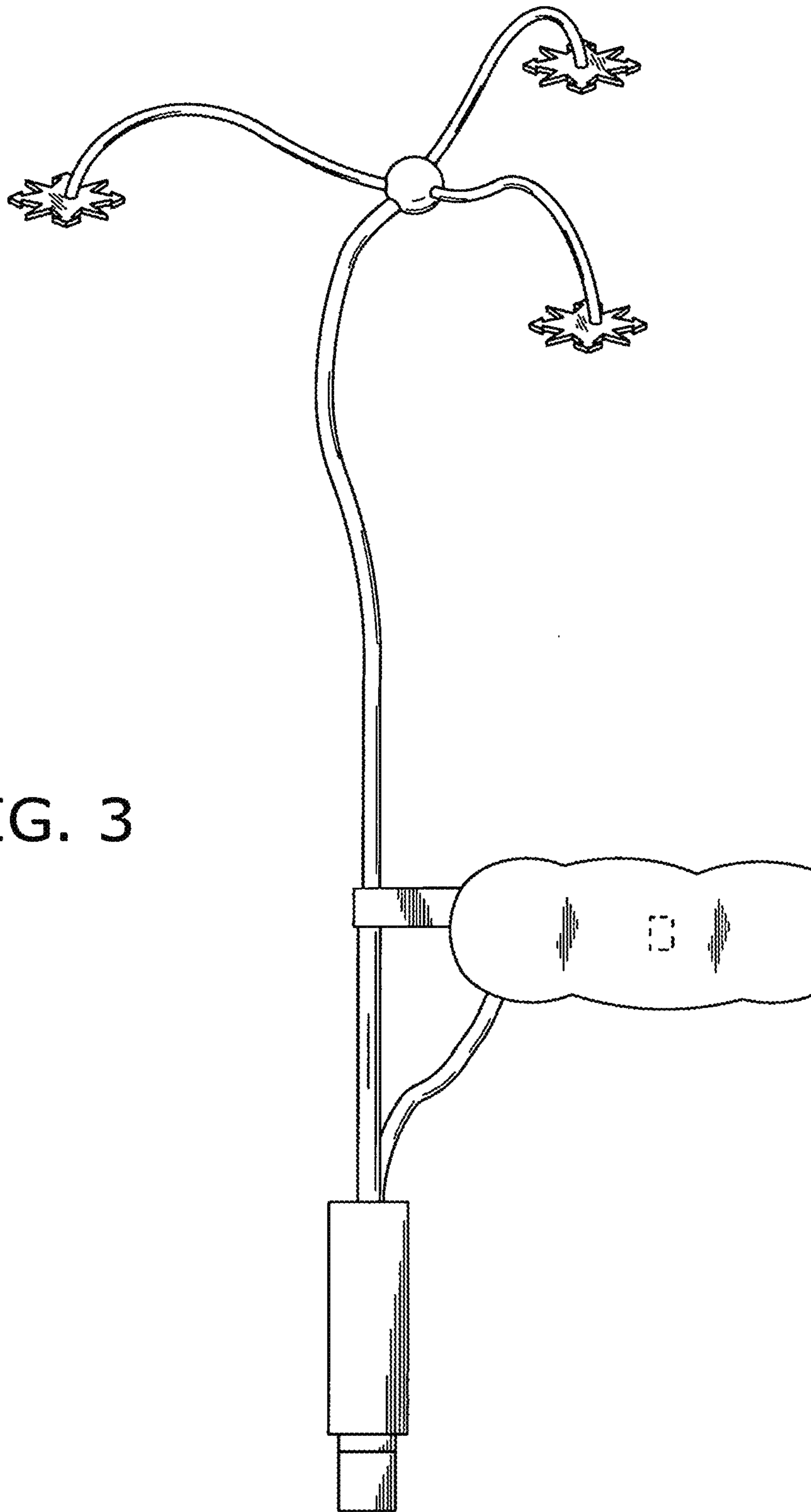
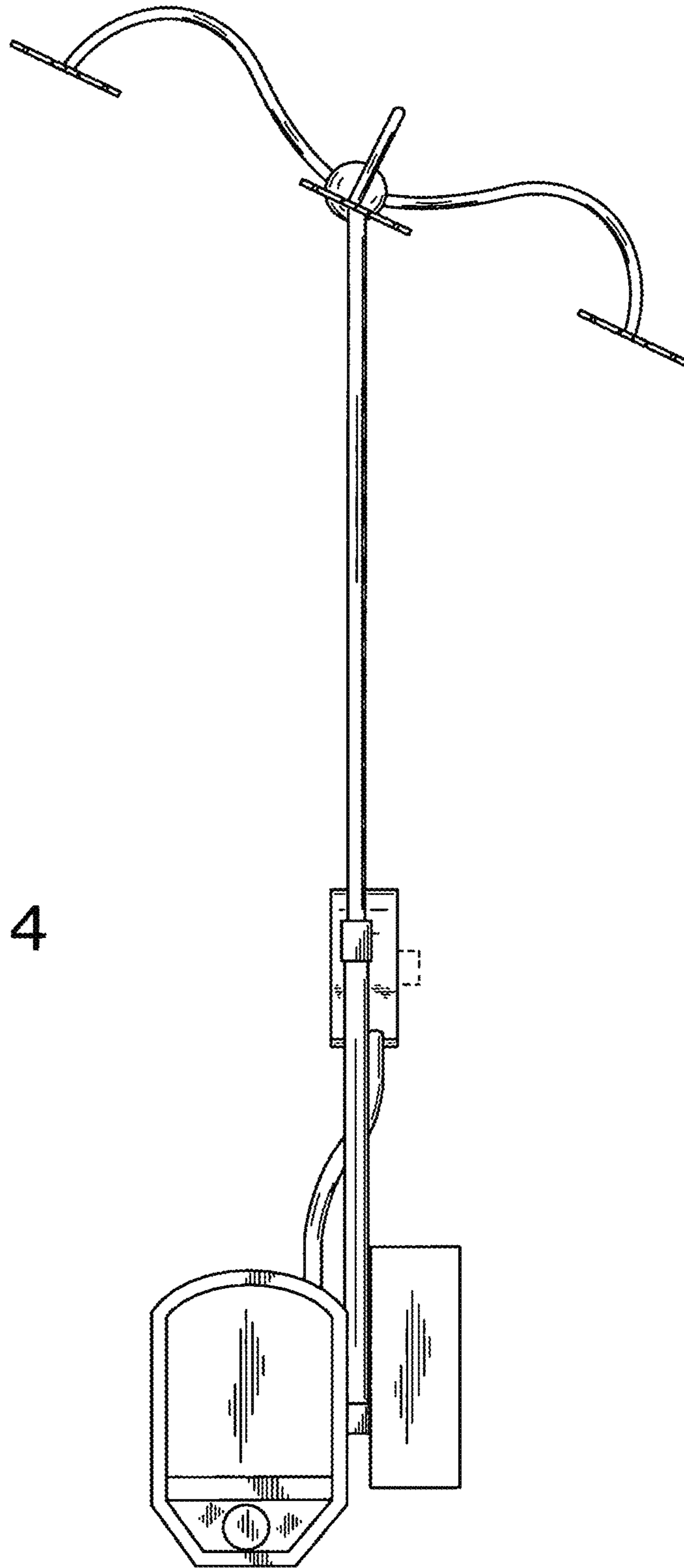


FIG. 3

FIG. 4



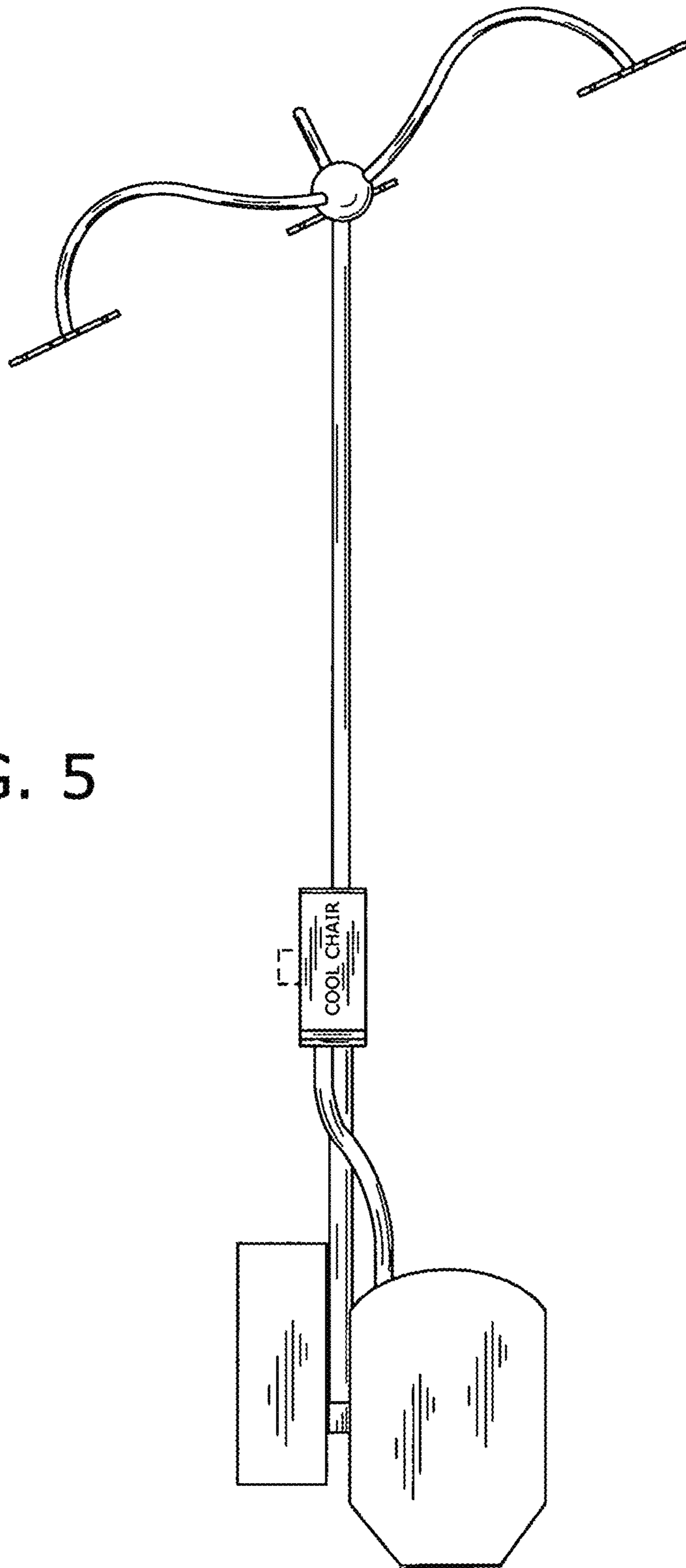


FIG. 5

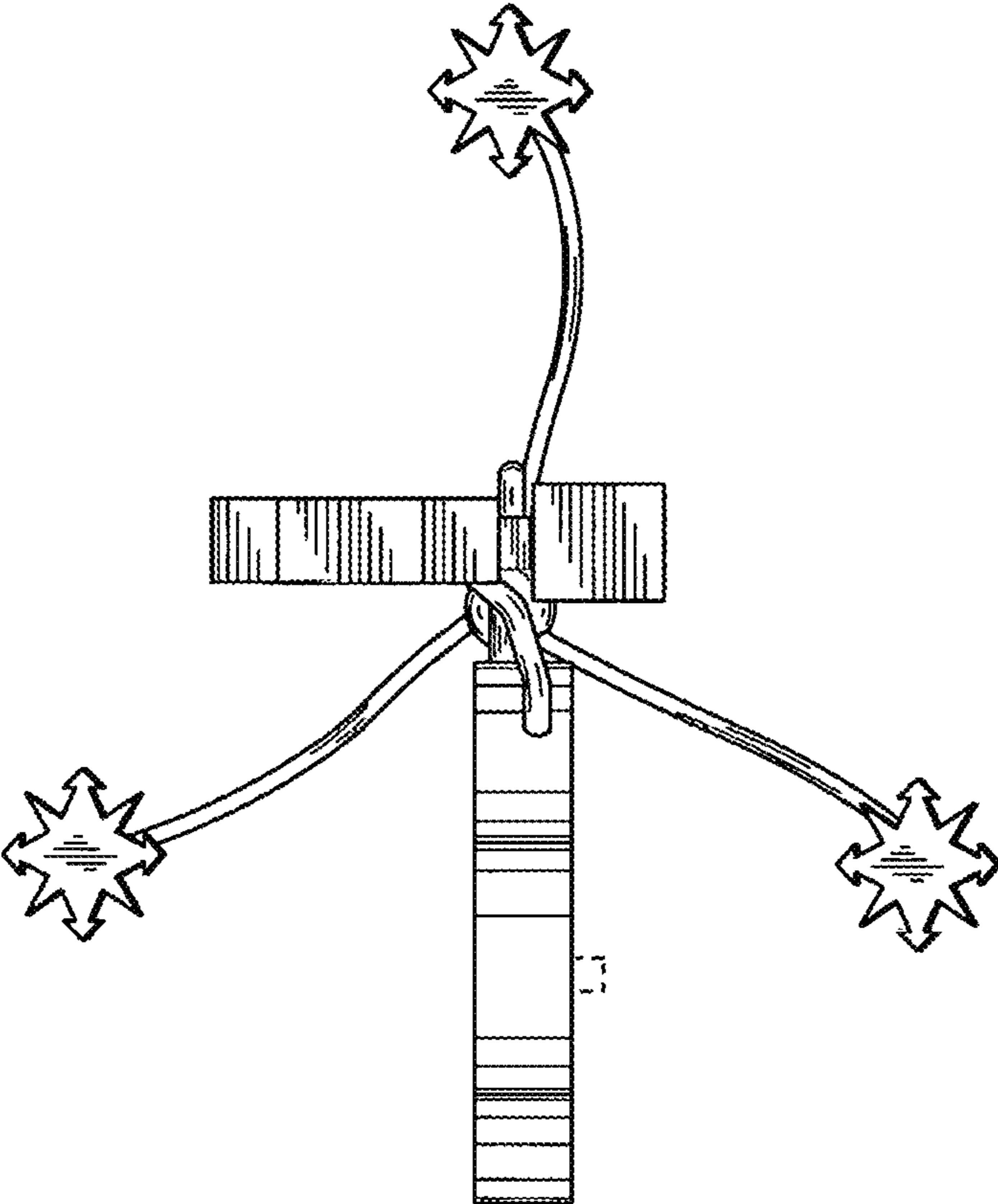


FIG. 6

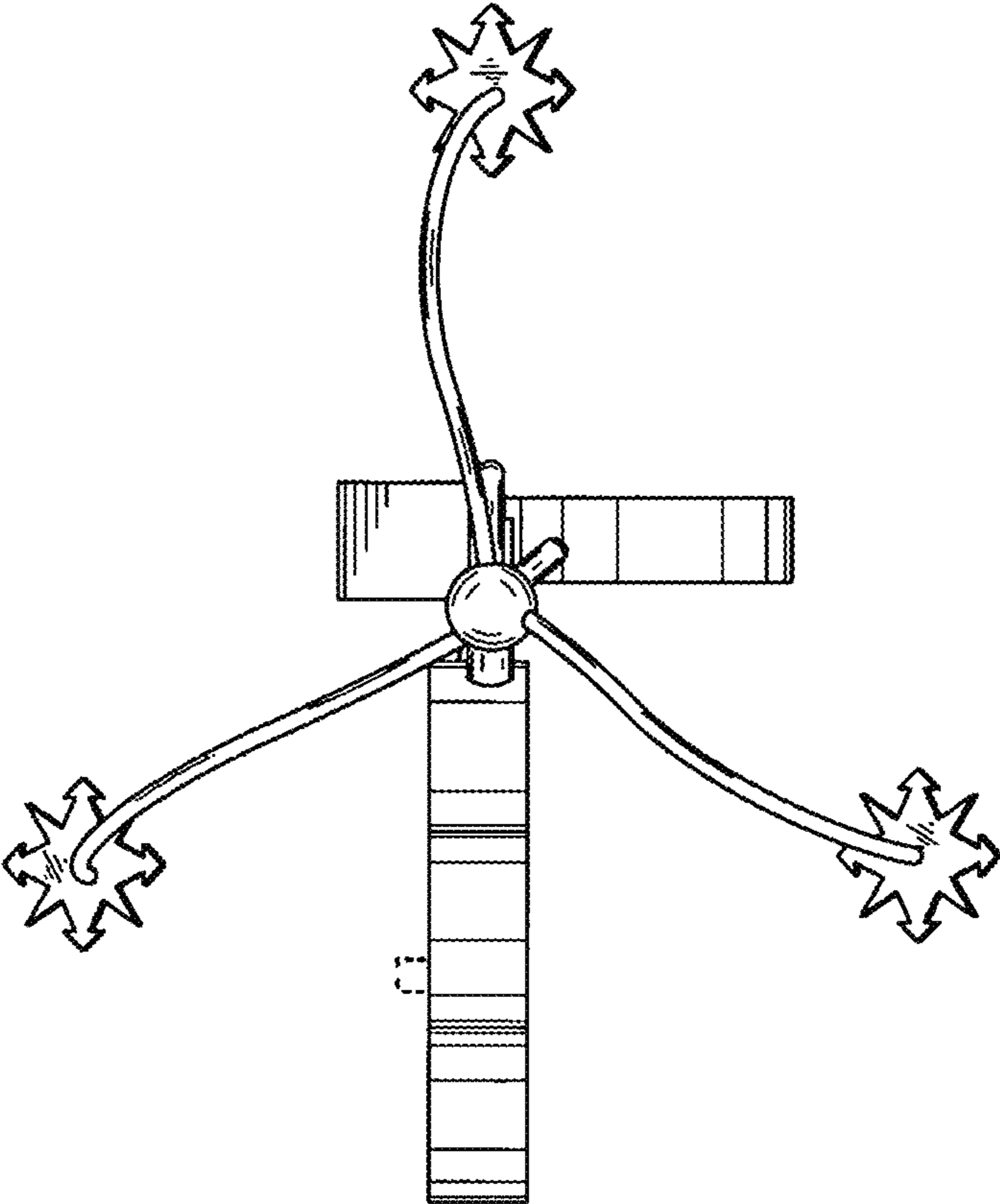


FIG. 7