



US00D823982S

(12) **United States Design Patent** (10) **Patent No.:** **US D823,982 S**  
**Amash** (45) **Date of Patent:** **\*\* Jul. 24, 2018**

(54) <b>JUMBO TELESCOPIC FLY SWATTER</b>	2,377,439 A	6/1945	James
	2,891,347 A	6/1959	Swint
(71) Applicant: <b>Charles Amash Imports, Inc.,</b> Wayland, MI (US)	2,911,250 A	11/1959	Lossiu
	2,934,851 A	5/1960	Grish
	3,384,408 A	5/1968	Denis
(72) Inventor: <b>Elias Amash,</b> Caledonia, MI (US)	3,474,833 A	10/1969	Garrette, Jr.
	D260,960 S	9/1981	Malia, Jr.
	5,381,319 A	1/1995	Shiao
(73) Assignee: <b>Charles Amash Imports, Inc.,</b> Wayland, MI (US)	5,401,071 A	3/1995	Tummino et al.
	D366,196 S	1/1996	Gulu et al.
	5,487,576 A	1/1996	Duvivier
(**) Term: <b>15 Years</b>	5,647,623 A	7/1997	Shiao
	D392,457 S	3/1998	Smith
(21) Appl. No.: <b>29/617,792</b>	D395,988 S	7/1998	Badour
	5,775,207 A	7/1998	Warren
(22) Filed: <b>Sep. 15, 2017</b>	D398,203 S	9/1998	Naccarato et al.
	D413,497 S	9/1999	Coleman, Jr. et al.

(Continued)

**Related U.S. Application Data**

(62) Division of application No. 29/526,077, filed on May 6, 2015, now Pat. No. Des. 807,469.

(51) **LOC (11) Cl.** ..... **22-06**

(52) **U.S. Cl.**  
USPC ..... **D22/124**

(58) **Field of Classification Search**  
USPC ..... D22/124; 43/137; D3/3-4  
CPC ..... A01M 3/02  
See application file for complete search history.

**OTHER PUBLICATIONS**

A photograph of a telescoping pitchfork sold at least as early as May 5, 2014.

(Continued)

*Primary Examiner* — Catherine R Oliver-Garcia

(74) *Attorney, Agent, or Firm* — Honigman Miller Schwartz and Cohn LLP; Douglas H. Siegel; Jonathan P. O'Brien

(56) **References Cited**

**U.S. PATENT DOCUMENTS**

D14,544 S	1/1884	Smith
998,407 A	7/1911	Schwandt
1,022,962 A	4/1912	Miller
1,161,654 A	11/1915	Gomber
1,170,408 A	2/1916	Bruen
1,511,545 A	10/1924	Wallin
1,541,671 A	6/1925	Tomlinson
1,772,181 A	8/1930	Hightower
1,861,526 A	6/1932	Gordon
D91,616 S	2/1934	Drake
1,974,027 A	9/1934	Nick
D114,893 S	5/1939	Goddeyne
D130,020 S	10/1941	Foley

(57) **CLAIM**

I claim the ornamental design for a jumbo telescopic fly swatter, as shown and described.

**DESCRIPTION**

FIG. 1 is a perspective view of a jumbo telescopic fly swatter showing my new design;

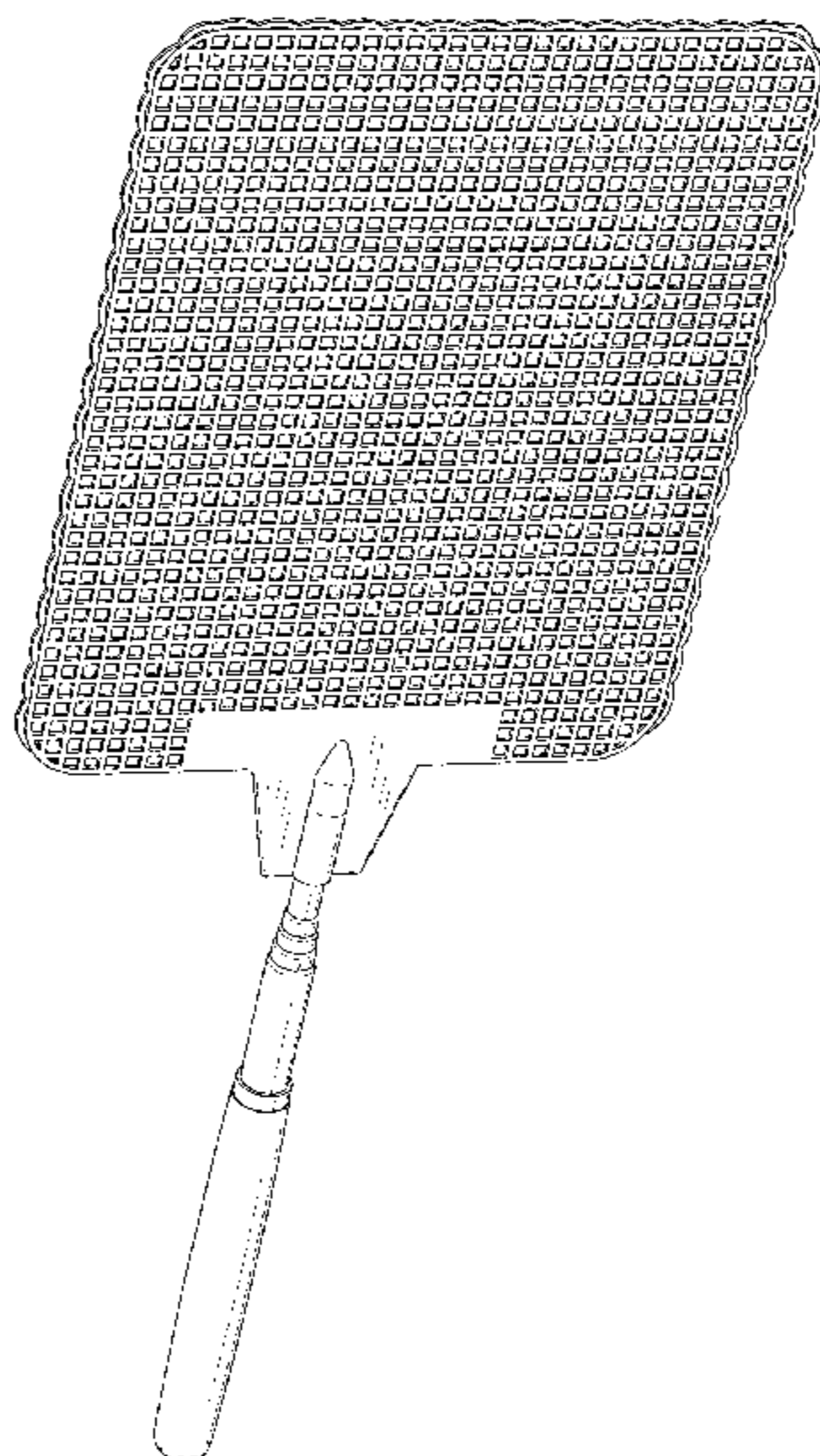
FIG. 2 is a front elevational view thereof;

FIG. 3 is a right-side elevational view thereof;

FIG. 4 is a top plan view thereof; and,

FIG. 5 is a bottom plan view thereof.

**1 Claim, 3 Drawing Sheets**



(56)

**References Cited**

U.S. PATENT DOCUMENTS

D429,977 S	8/2000	Claxton
D466,280 S	12/2002	Ko
6,499,778 B2	12/2002	Boulay
D487,680 S	3/2004	Sickler et al.
D496,835 S	10/2004	Scott
D520,854 S	5/2006	Barrett
D565,367 S	4/2008	Buscher
D568,698 S	5/2008	Buscher
D670,150 S	11/2012	Angel et al.
D702,094 S	4/2014	Westrick
D711,706 S	8/2014	Votolato
D712,004 S	8/2014	Palmer
D721,552 S	1/2015	VanderWoude

OTHER PUBLICATIONS

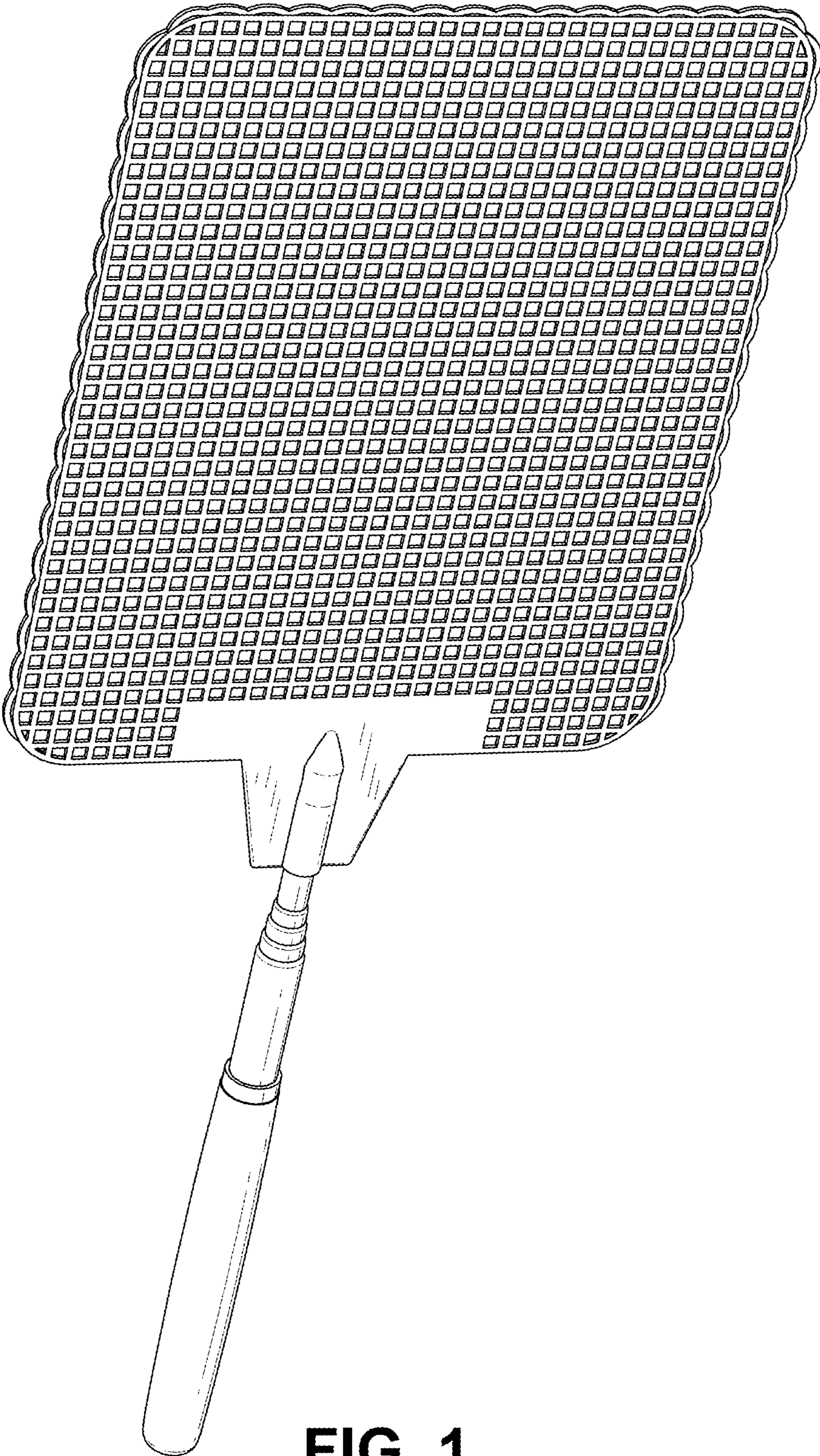
Photos of swatter product, believed to have been commercially available before May 6, 2014.

Two Prong Telescoping Pitchfork, offered for sale prior to Nov. 30, 2012.

U.S. Appl. No. 29/438,543, U.S. Pat. No. D. 721,552, issued Jan. 27, 2015.

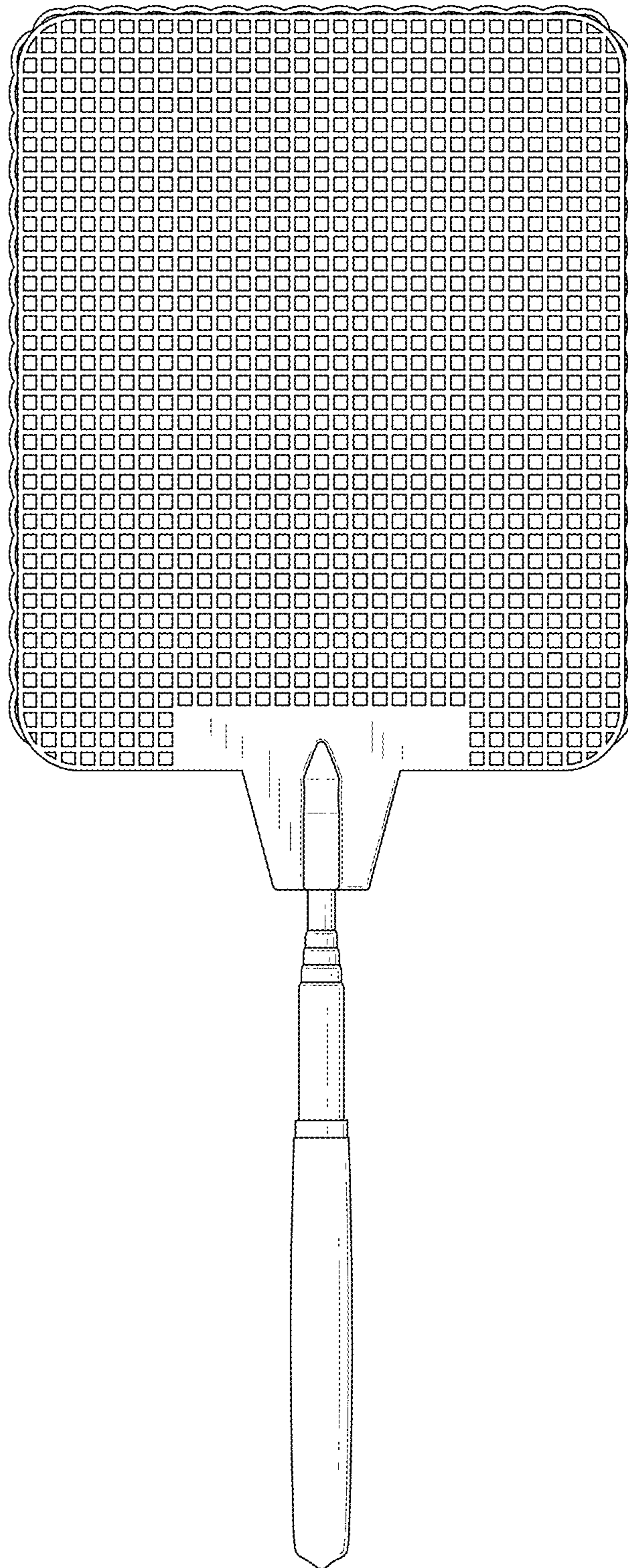
U.S. Appl. No. 29/526,077, allowed Jul. 10, 2017.

U.S. Appl. No. 29/587,789, Pending.

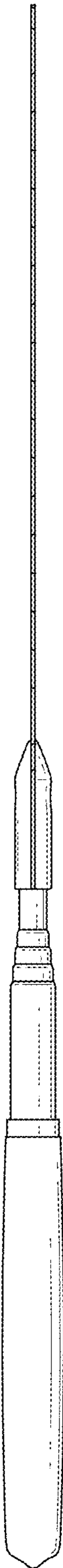


**FIG. 1**

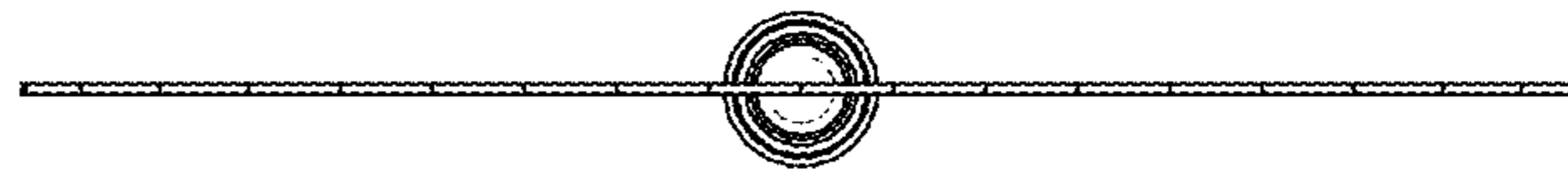




**FIG. 2**



**FIG. 3**



**FIG. 4**



**FIG. 5**