



US00D823981S

(12) **United States Design Patent** (10) **Patent No.:** **US D823,981 S**
Tang (45) **Date of Patent:** **** Jul. 24, 2018**

(54) **STUN GUN WITH FLASHLIGHT AND KNIFE**

(74) *Attorney, Agent, or Firm* — Ding Yu Tan

(71) Applicant: **Shenzhen Shocker Electronic Co., Ltd.**, Shenzhen (CN)

(57) **CLAIM**

The ornamental design for a stun gun with flashlight and knife, as shown and described.

(72) Inventor: **Jia Tang**, Shenzhen (CN)

DESCRIPTION

(73) Assignee: **Shenzhen Shocker Electronic Co., Ltd.**, Shenzhen (CN)

(**) Term: **15 Years**

(21) Appl. No.: **29/591,741**

(22) Filed: **Jan. 23, 2017**

(51) **LOC (11) Cl.** **22-02**

(52) **U.S. Cl.**
USPC **D22/117; D26/38**

(58) **Field of Classification Search**
USPC D22/117–120; D26/37–38, 49; 362/96, 362/119, 202, 253; D8/100, 104–105; 222/78–79, 153.03, 153.11, 162, 175, 39, 222/113, 192, 402.11, 183, 325, 402.21
CPC F21L 4/00; F21L 4/02; F41H 9/10; F41B 15/04; G08B 21/0446; H05B 3/03; H05B 3/44; A62B 3/005; A62B 33/00
See application file for complete search history.

FIG. 1 is a front, top and left side perspective view of the stun gun with flashlight and knife showing my new design; FIG. 2 is a rear, top and right side perspective view thereof; FIG. 3 is a front elevational view of the embodiment; FIG. 4 is a rear elevational view of the embodiment; FIG. 5 is a top plan view of the embodiment; FIG. 6 is a bottom plan view of the embodiment; FIG. 7 is a left side elevational view of the embodiment; and FIG. 8 is a right side elevational view of the embodiment; FIG. 9 is a front, top and left side perspective view, with the knife shown in an alternative position; and, FIG. 10 is a front elevational view, with the knife shown in an alternative position.

The shade lines (which are straight solid lines) in the figures show surface contour, but not surface ornamentation. Any broken line is environmental and forms no part of the claimed design. The stun gun with flashlight and knife of an embodiment of present invention is shown by solid lines. In addition, additional graphical symbols indicating surface ornamentation, such as a “sun graphic symbol” indicating flashlight operating mode, and a “lightning bolt graphic symbol” indicating stun gun operating mode for the stun gun with flashlight and knife can be engraved or embossed on an oblong-shaped slide switch that is located on an open surface of the embodiment shown, for example, in FIGS. 1, 3, and 9. In addition, alternative positions for a knife belonging to the stun gun with flashlight and knife of the embodiment of present invention are shown in separate views, such as FIGS. 1 and 9, respectively. For example, FIGS. 9 and 10 show an alternative position of a knife disposed within the stun gun with flashlight and knife being extendedly opened, while FIGS. 1-5, 7 and 8 show the knife being fully retracted in a closed position.

(56) **References Cited**

U.S. PATENT DOCUMENTS

D748,309 S * 1/2016 Cheng D22/117
D750,305 S * 2/2016 Sheikh D26/38
D783,118 S * 4/2017 Fan D22/117

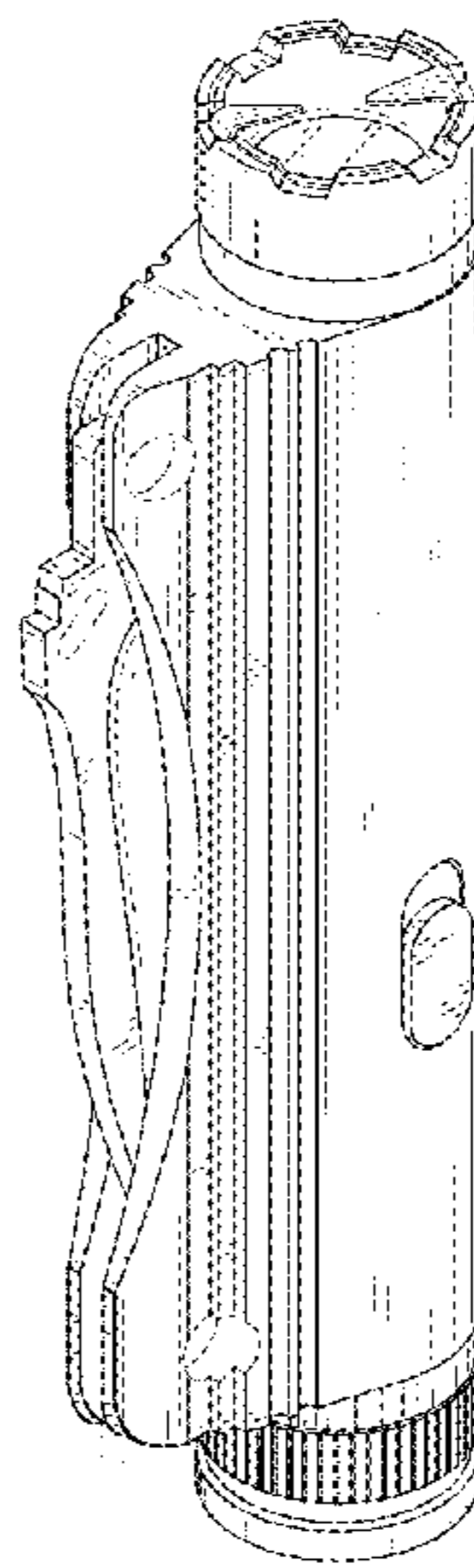
OTHER PUBLICATIONS

Gloabal Sources, Stun gun with folding knife (Year: 2017).*

* cited by examiner

Primary Examiner — Catherine R Oliver-Garcia

1 Claim, 10 Drawing Sheets



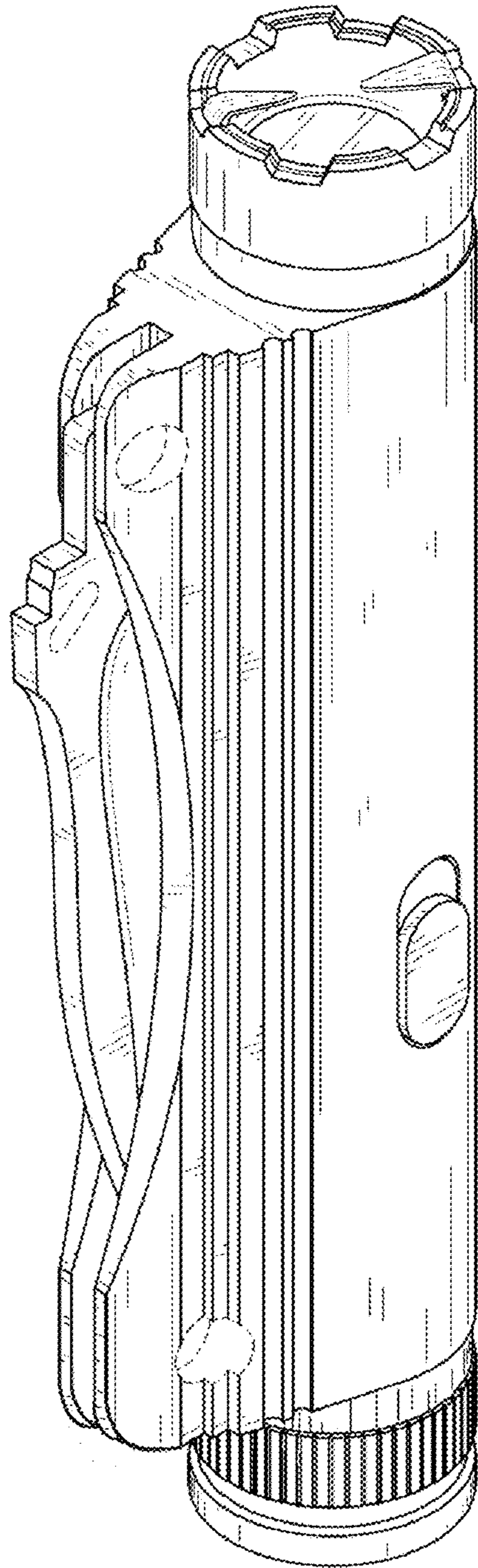


FIG. 1

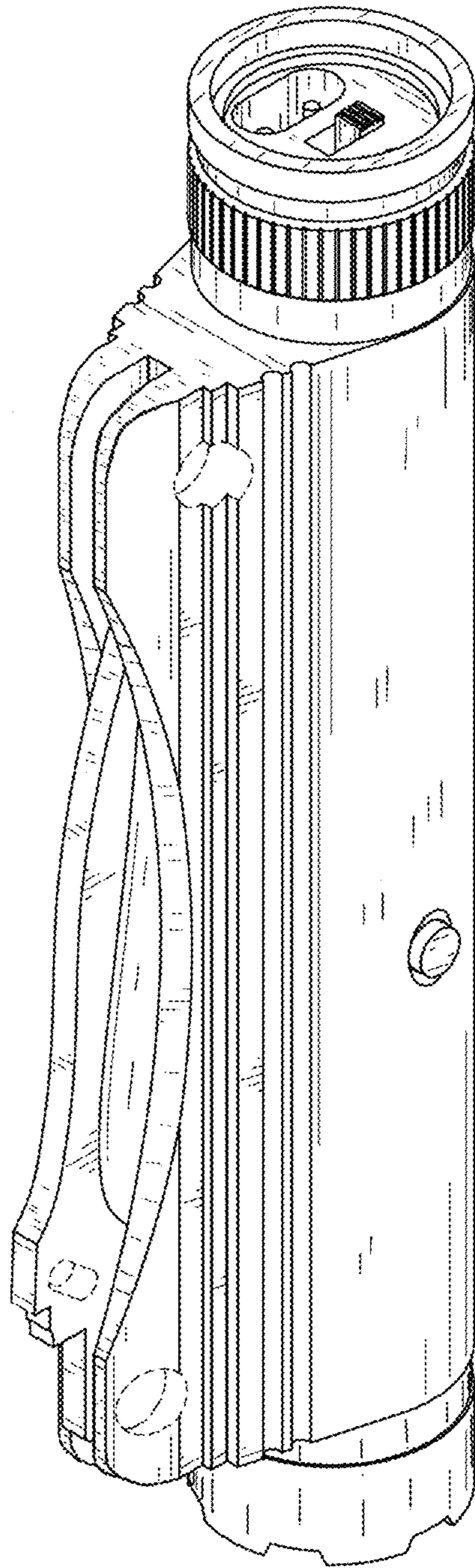


FIG. 2

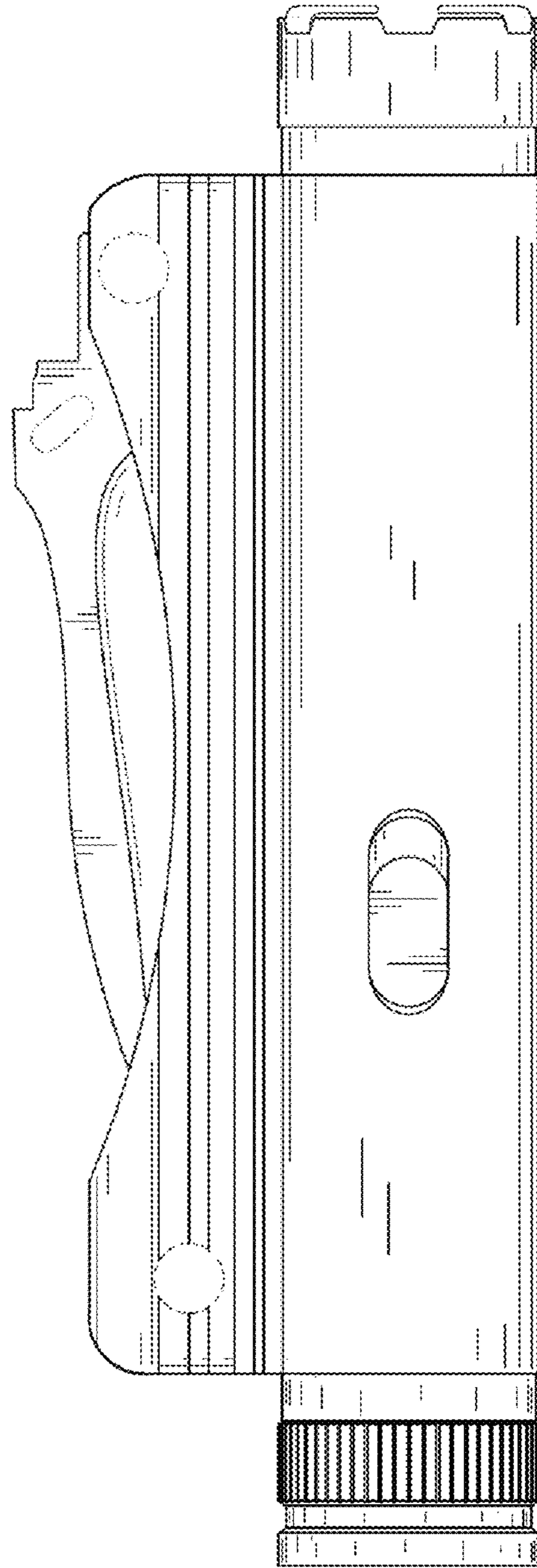


FIG. 3

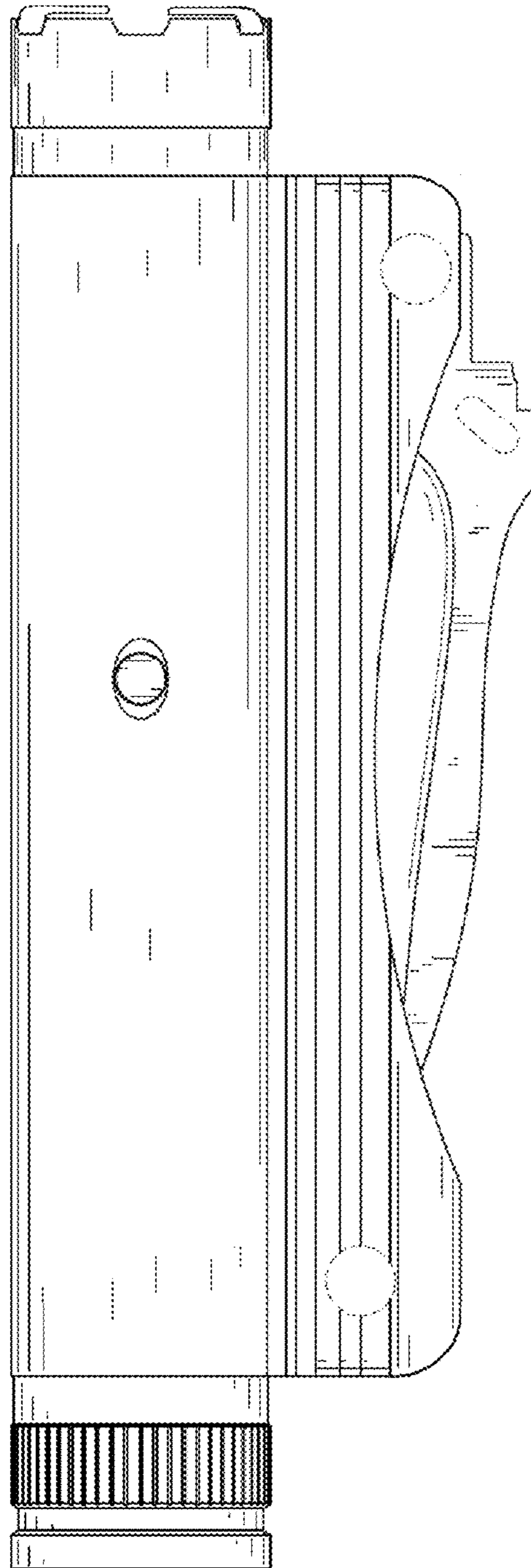


FIG. 4

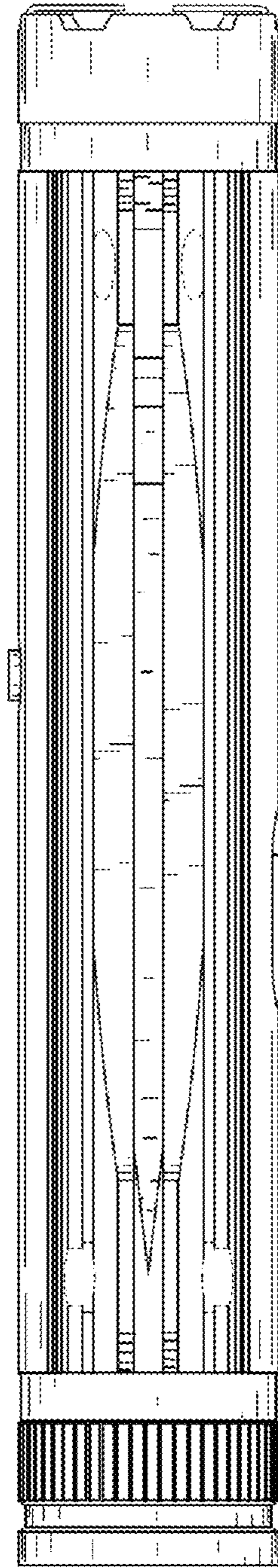


FIG. 5

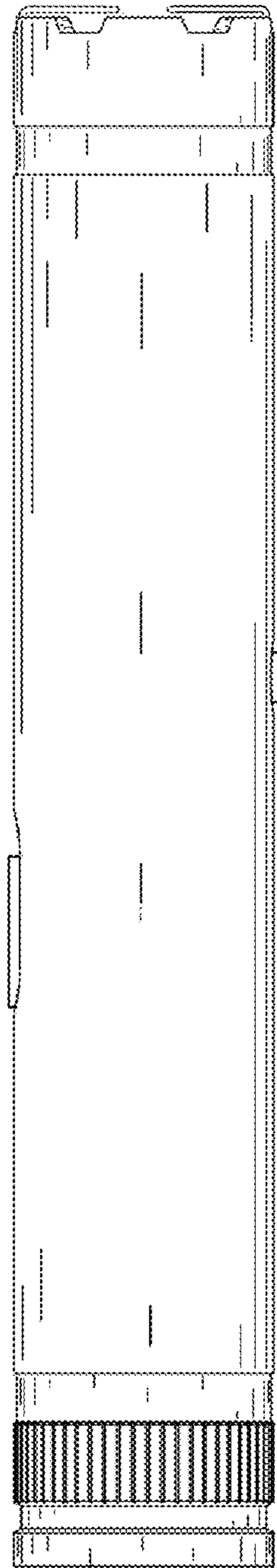


FIG. 6

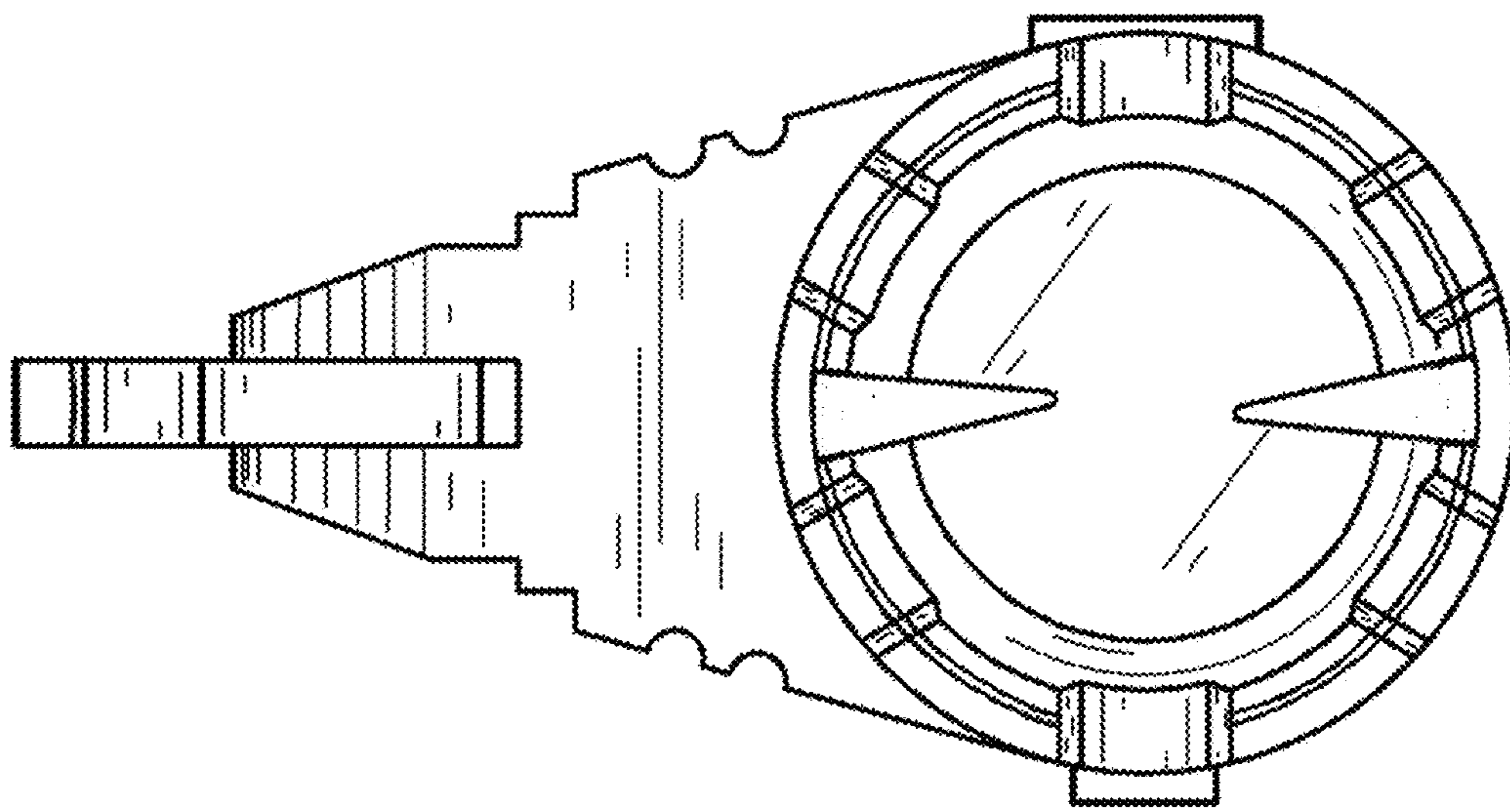


FIG. 7

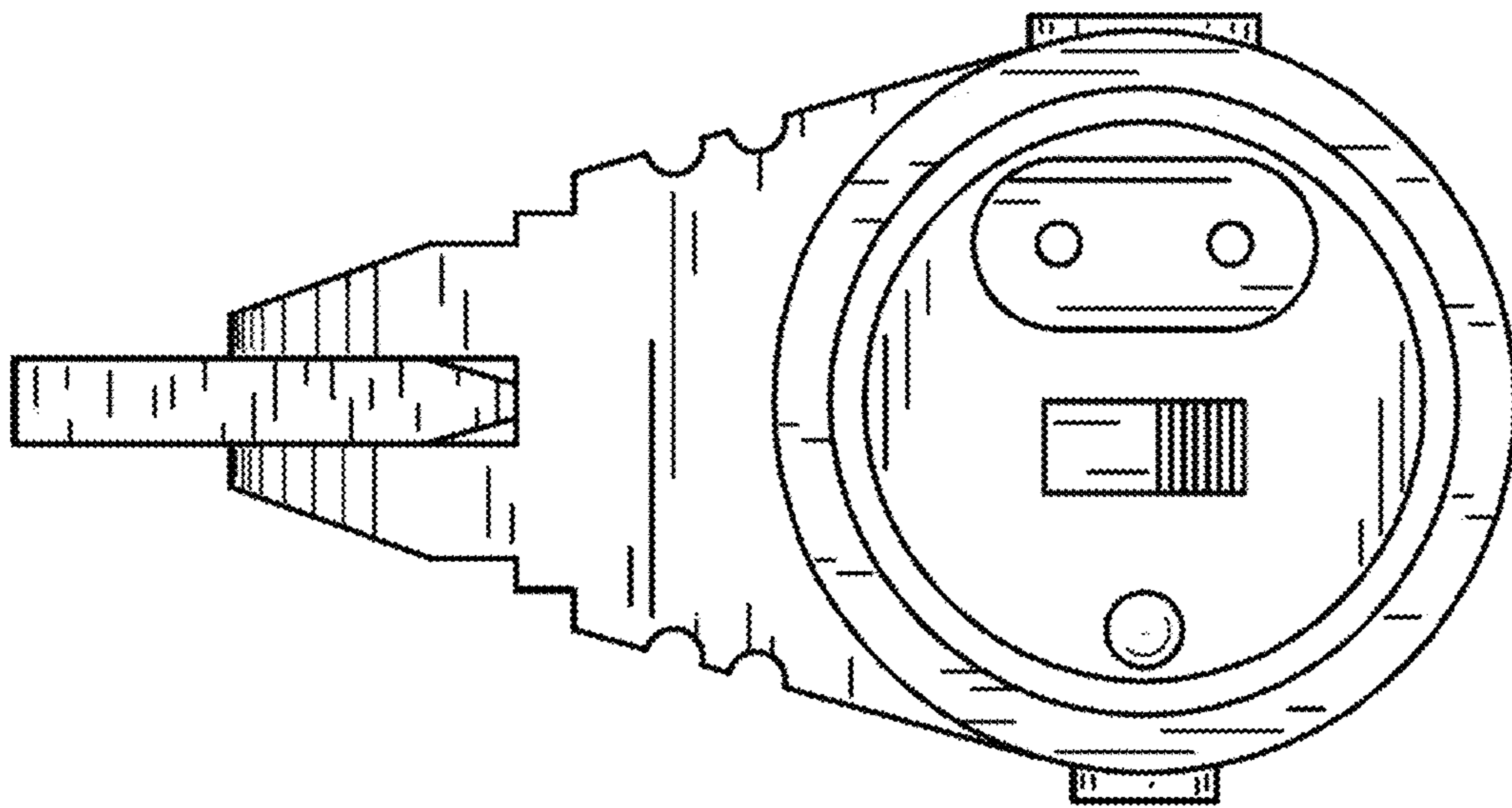


FIG. 8

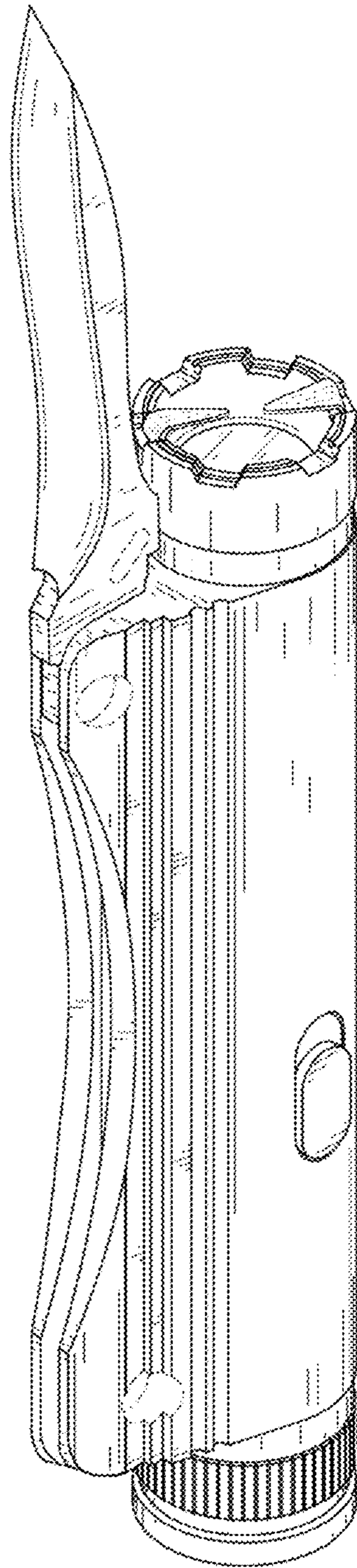


FIG. 9

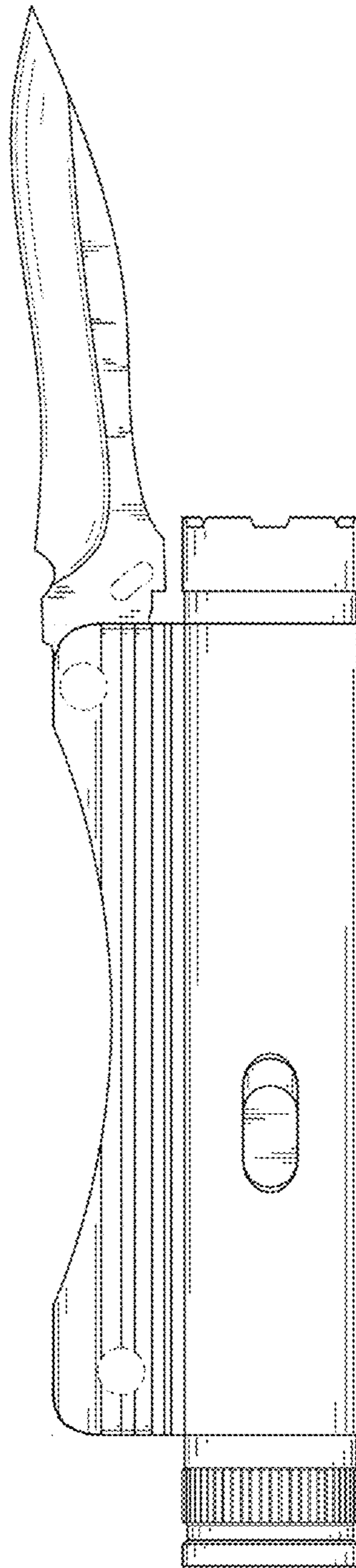


FIG. 10