



US00D823979S

(12) **United States Design Patent**
Stevens

(10) **Patent No.:** **US D823,979 S**
(45) **Date of Patent:** **** Jul. 24, 2018**

- (54) **RIFLE STOCK COVER**
- (71) Applicant: **Nathaniel D. Stevens**, Chula Vista, CA (US)
- (72) Inventor: **Nathaniel D. Stevens**, Chula Vista, CA (US)
- (**) Term: **15 Years**
- (21) Appl. No.: **29/635,382**
- (22) Filed: **Jan. 30, 2018**

- 3,665,990 A * 5/1972 Hefner, Jr. F41A 35/02
224/913
 - 4,120,108 A * 10/1978 Vickers F41C 23/08
42/74
 - D300,343 S * 3/1989 Gannon D22/108
 - 5,075,995 A * 12/1991 Kennel F41C 23/14
42/73
 - 5,771,622 A * 6/1998 Koziuk F41C 27/00
42/74
 - D600,307 S * 9/2009 Fitzpatrick D22/109
- (Continued)

Related U.S. Application Data

- (62) Division of application No. 29/580,762, filed on Oct. 12, 2016, now Pat. No. Des. 819,769.
- (51) **LOC (11) Cl.** **22-01**
- (52) **U.S. Cl.**
USPC **D22/108**
- (58) **Field of Classification Search**
USPC D22/100, 108, 109, 110, 199; 42/11, 72,
42/75.02, 71.01, 85, 90, 106, 114, 113,
42/116, 119, 124, 125, 127, 145, 128;
248/201, 205.1
CPC F41C 23/00; F41C 23/02; F41C 23/04;
F41C 23/06; F41C 23/08; F41C 23/10;
F41C 23/12; F41C 23/14; F41C 23/16;
F41C 23/18; F41C 23/20; F41C 23/22;
F41C 7/02; F41C 7/04; F41C 7/06; F41C
7/11; F41C 7/12; F41C 27/00; F41C
27/06
See application file for complete search history.

OTHER PUBLICATIONS

Rifle Buttstock Portable Adjustable Tactical Shell Holder Cheek Rest, Amazon.com, [online], [site visited May 17, 2018]. <URL: https://www.amazon.com/dp/B076KC2ZLZ/ref=sspa_dk_detail_4?psc=1&pd_rd_i=B076KC2ZLZ&pd_rd_wg=P1RfK&pd_rd_r=GMJ11T67JMFKKJE1Q2PW&pd_rd_w=YDhan> (Year: 2018).*

(Continued)

Primary Examiner — T Chase Nelson
Assistant Examiner — Jonathan J Han
(74) *Attorney, Agent, or Firm* — GSS Law Group

(57) **CLAIM**

The ornamental design for a rifle stock cover, as shown and described.

DESCRIPTION

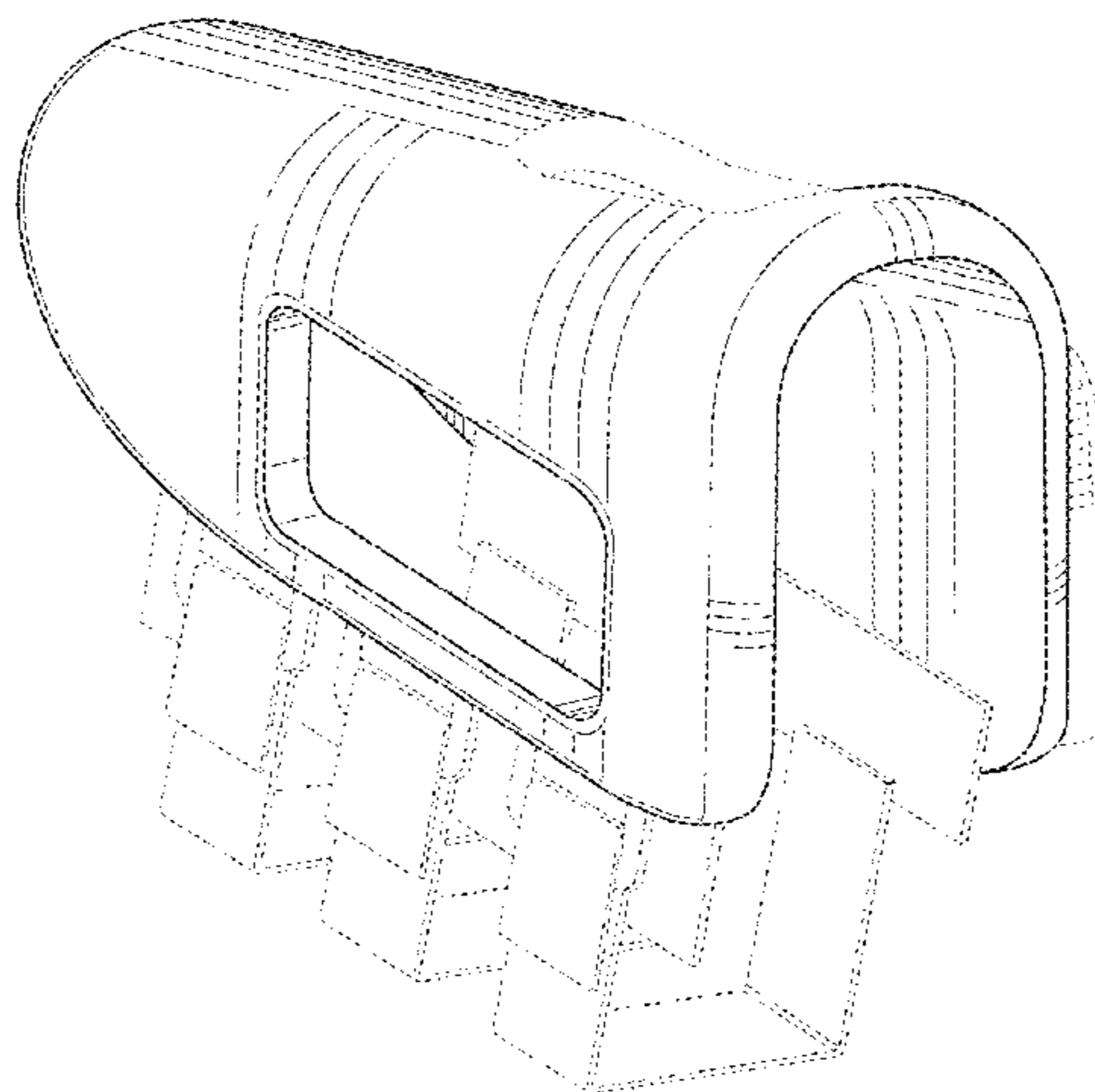
FIG. 1 is a perspective view of a rifle stock cover.
FIG. 2 is a left side view thereof.
FIG. 3 is a right side view thereof.
FIG. 4 is a back view thereof.
FIG. 5 is a front view thereof.
FIG. 6 is a top view thereof; and,
FIG. 7 is a bottom view thereof.
The broken lines in the drawings are used to illustrate unclaimed parts of the rifle stock cover and form no part of the claimed design.

1 Claim, 7 Drawing Sheets

(56) **References Cited**

U.S. PATENT DOCUMENTS

- 2,100,514 A * 11/1937 Miller F41C 23/06
42/71.01
- 2,188,691 A * 1/1940 Ruig F41C 23/08
42/74
- 2,432,519 A * 12/1947 Garand F41C 23/14
411/427



(56)

References Cited

U.S. PATENT DOCUMENTS

7,647,719 B2 * 1/2010 Fitzpatrick F41C 23/14
42/71.01
D623,717 S * 9/2010 Saur D22/108
D634,388 S * 3/2011 Peterson D22/108
D639,891 S * 6/2011 Chvala D22/108
D645,533 S * 9/2011 Peterson D22/108
8,141,286 B1 * 3/2012 Saur F41C 23/18
42/74
8,341,867 B2 * 1/2013 Criswell F41C 23/14
42/73
8,381,427 B2 * 2/2013 Nill F41C 23/14
42/71.01
D704,294 S * 5/2014 Jarboe D22/108
8,763,296 B1 * 7/2014 Chvala F41C 23/14
42/73
D742,470 S * 11/2015 Battaglia D22/108
D755,329 S * 5/2016 Kielsmeier D22/108
D787,620 S * 5/2017 Slater D22/108
D788,252 S * 5/2017 Slater D22/108
2007/0101631 A1 * 5/2007 Bentley F41C 23/14
42/74
2008/0236016 A1 * 10/2008 Fitzpatrick F41C 23/14
42/71.01

2011/0016764 A1 * 1/2011 Cales F41C 23/14
42/90
2012/0110884 A1 * 5/2012 Criswell F41C 23/14
42/73
2012/0174457 A1 * 7/2012 Edelman F41C 23/14
42/72
2014/0196343 A1 * 7/2014 Wilson F41C 23/14
42/71.01
2014/0283428 A1 * 9/2014 Slater F41C 23/14
42/71.01
2016/0216060 A1 * 7/2016 Forslund F41C 23/14
2017/0254614 A1 * 9/2017 Moretti F41C 23/14

OTHER PUBLICATIONS

Hands-on Review: Karsten Adjustable Cheek Piece, SniperCentral.com, by Mel Ewing, Oct. 29, 2014, [online], [site visited May 17, 2018]. <URL: <http://www.snipercentral.com/karsten-adjustable-cheek-piece/>> (Year: 2014).*

The Original D&E Cheekeeze—Rifle Stick-On Scope Eze, Brownells.com, [online], [site visited May 17, 2018]. <URL: <https://www.brownells.com/rifle-parts/stock-parts/stock-hardware/cheek-pieces/rifle-stick-on-sc>> (Year: 2018).*

* cited by examiner

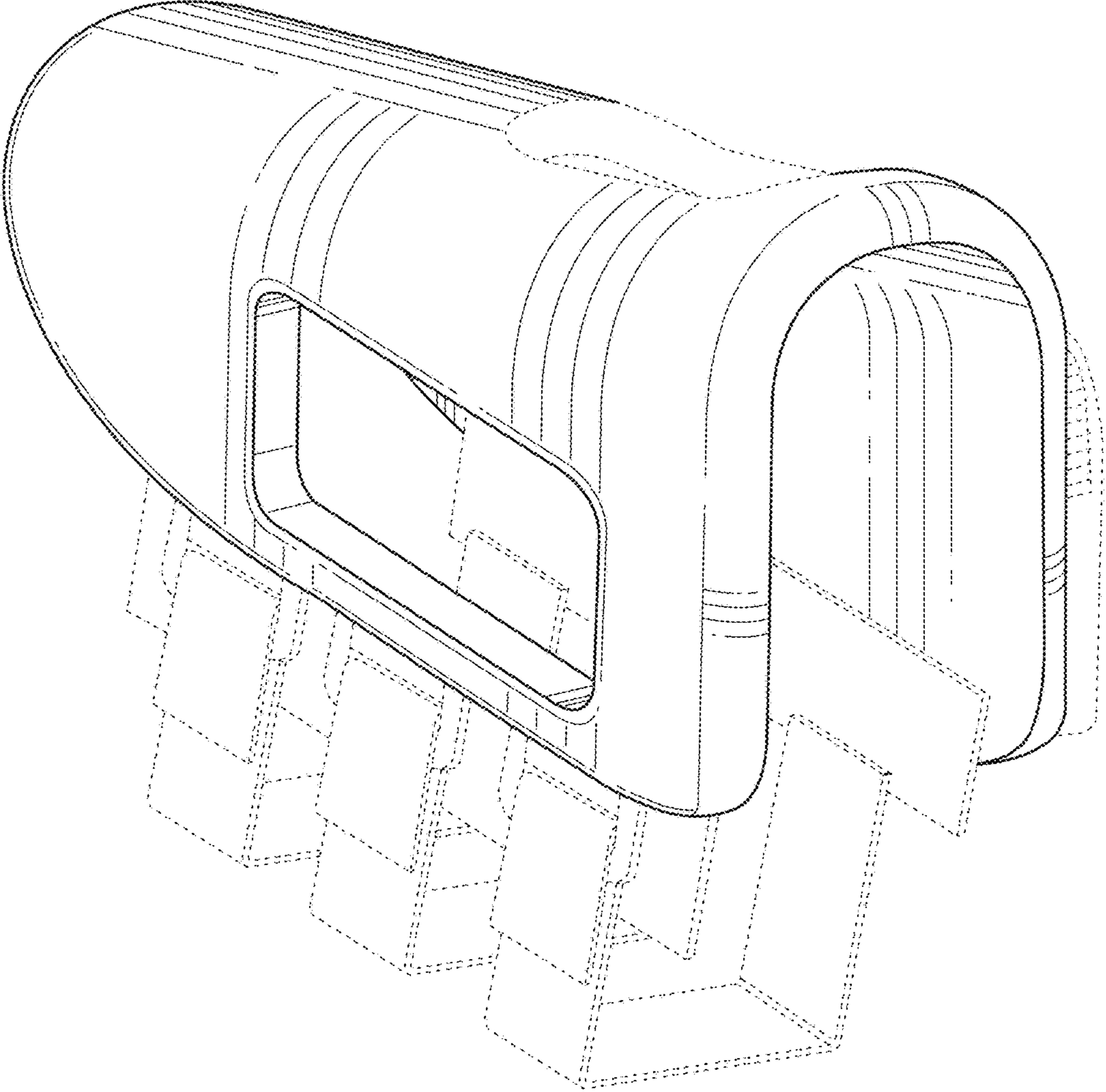


FIG. 1

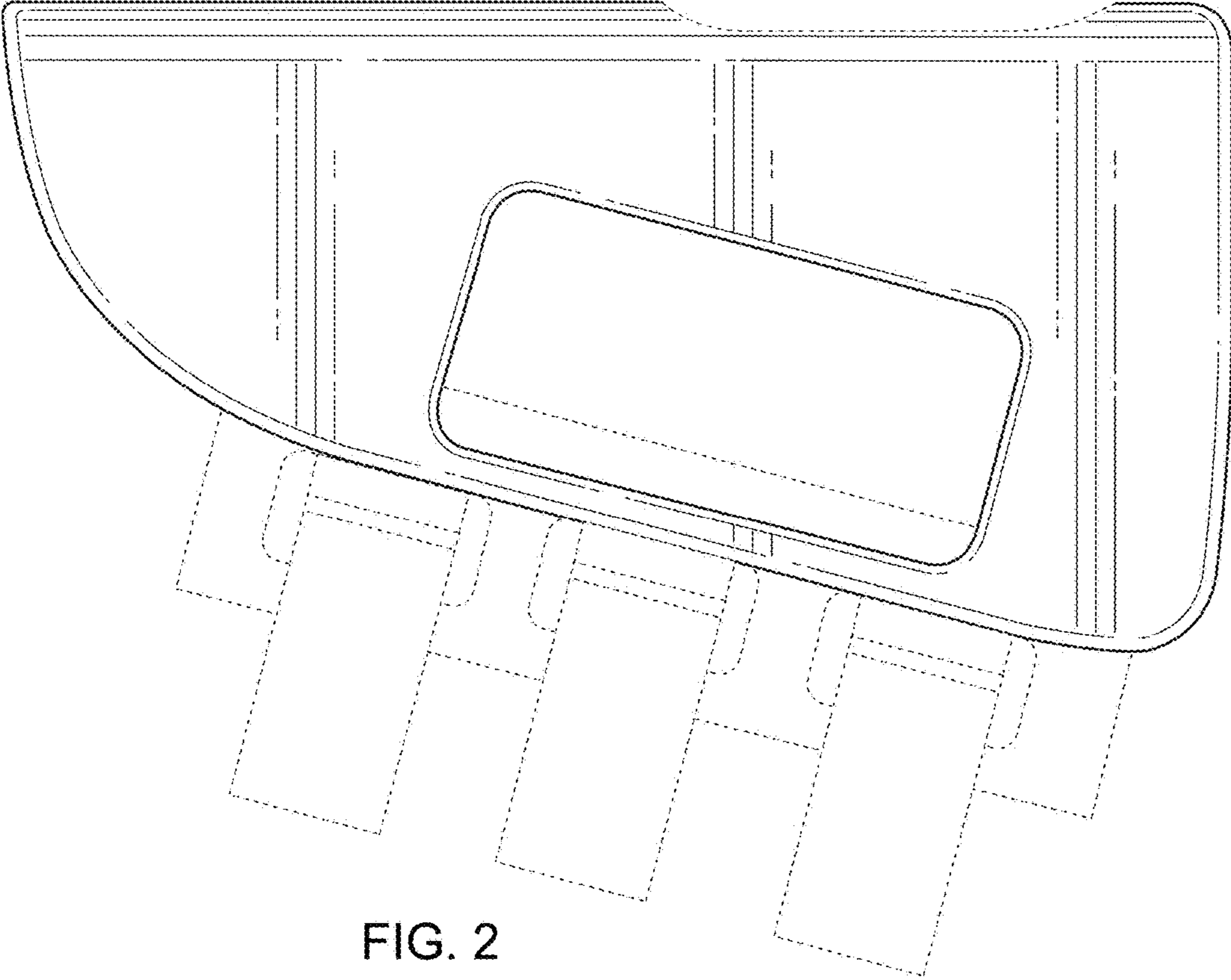


FIG. 2

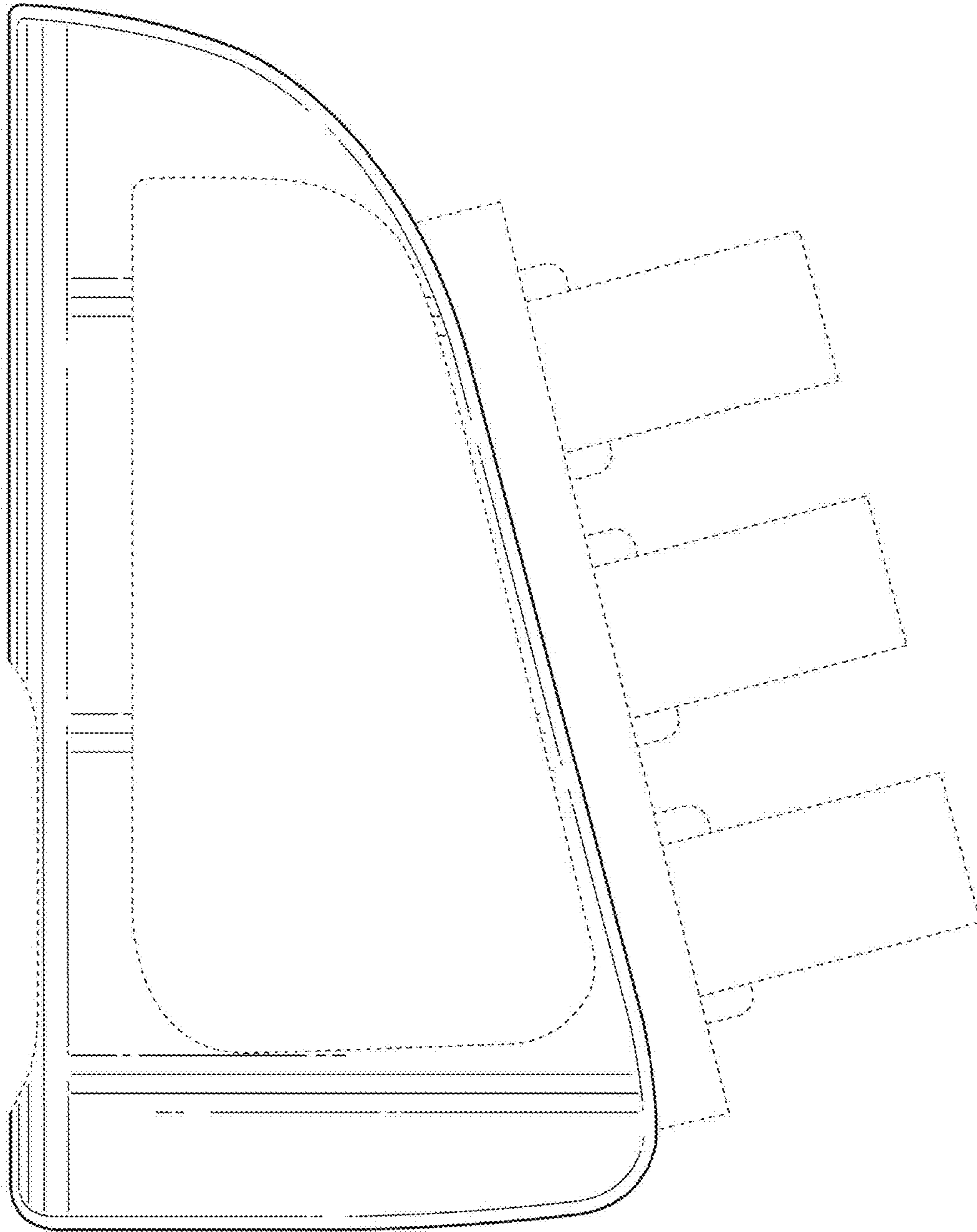


FIG. 3

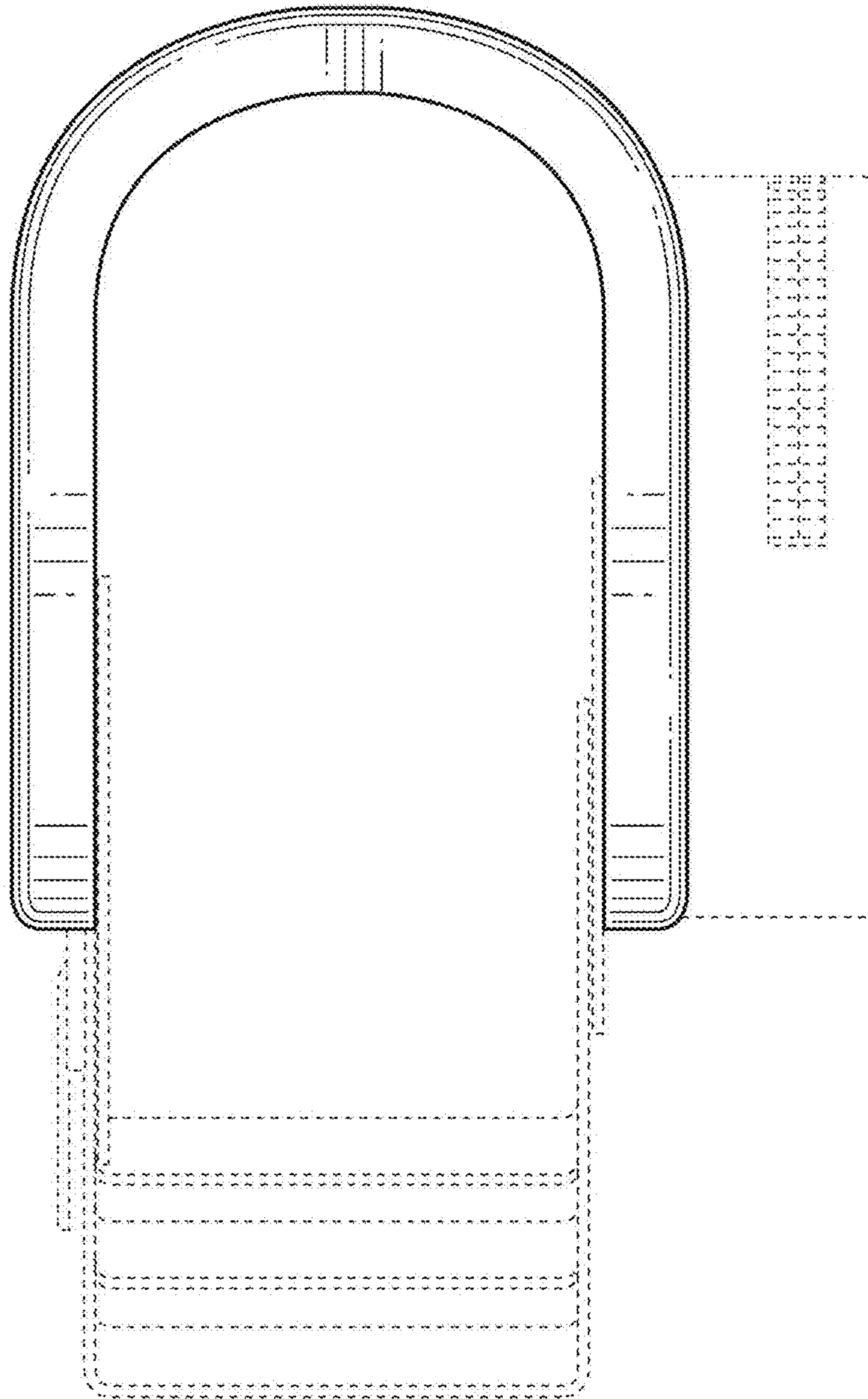


FIG. 4

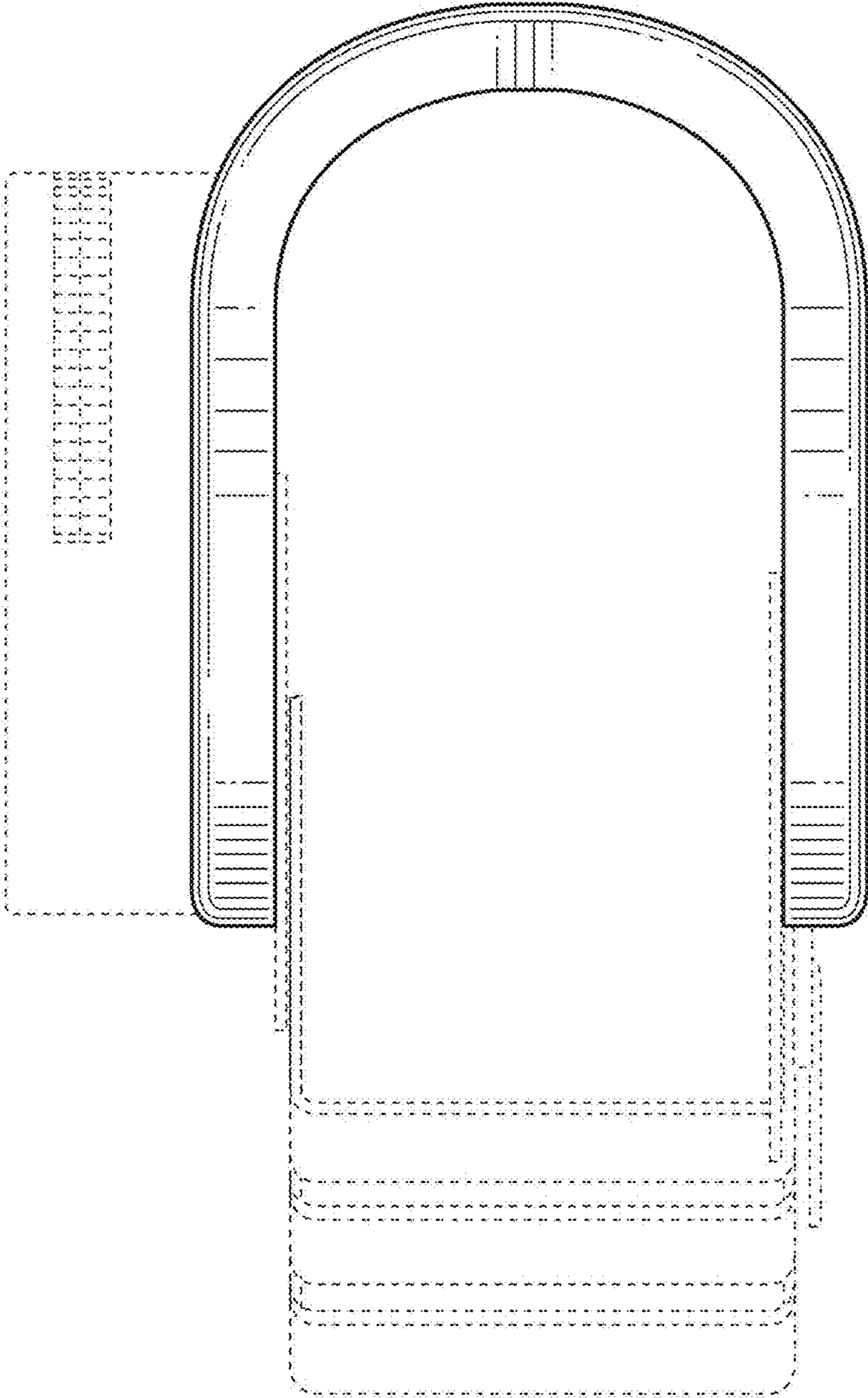


FIG. 5

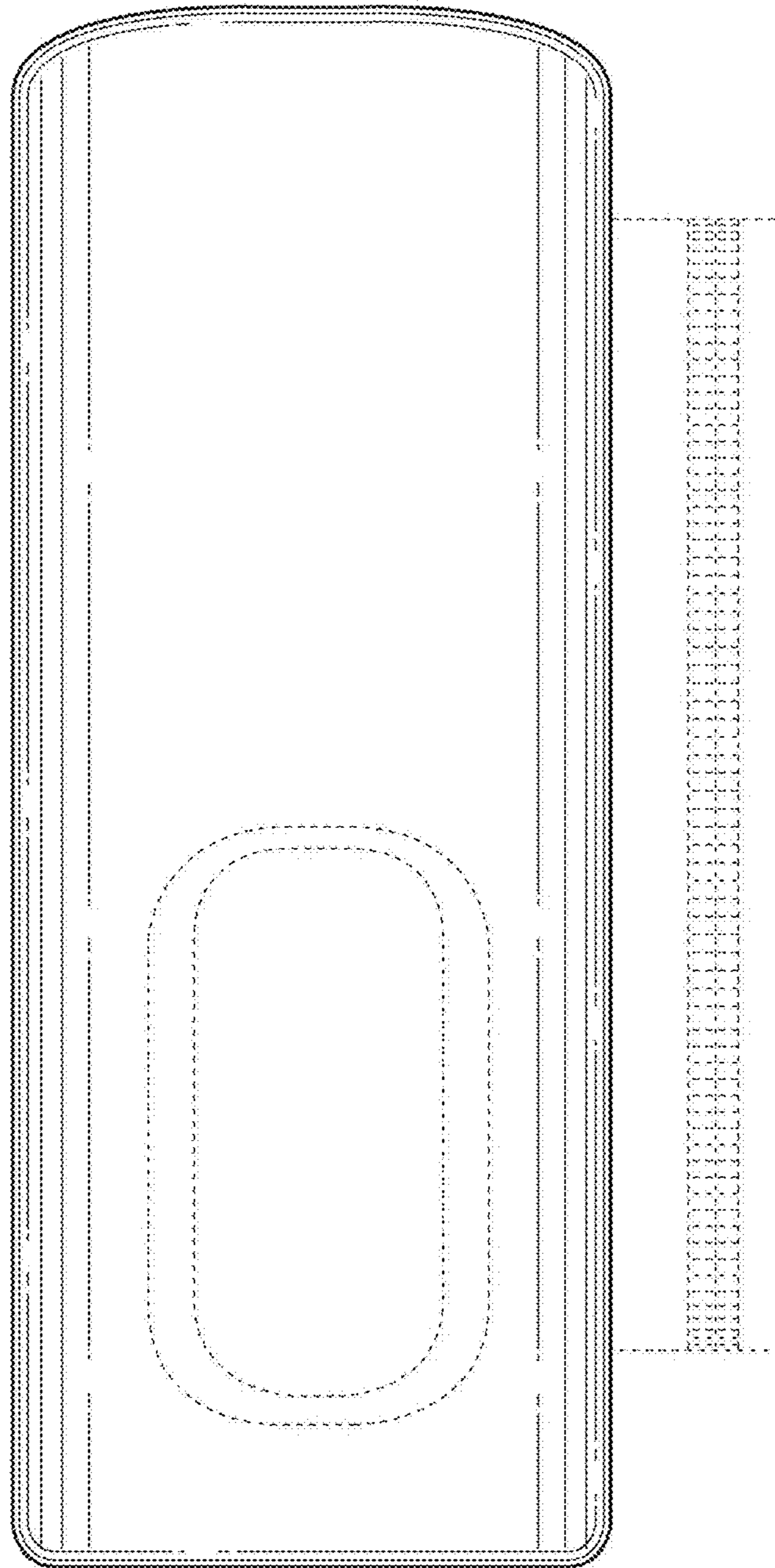


FIG. 6

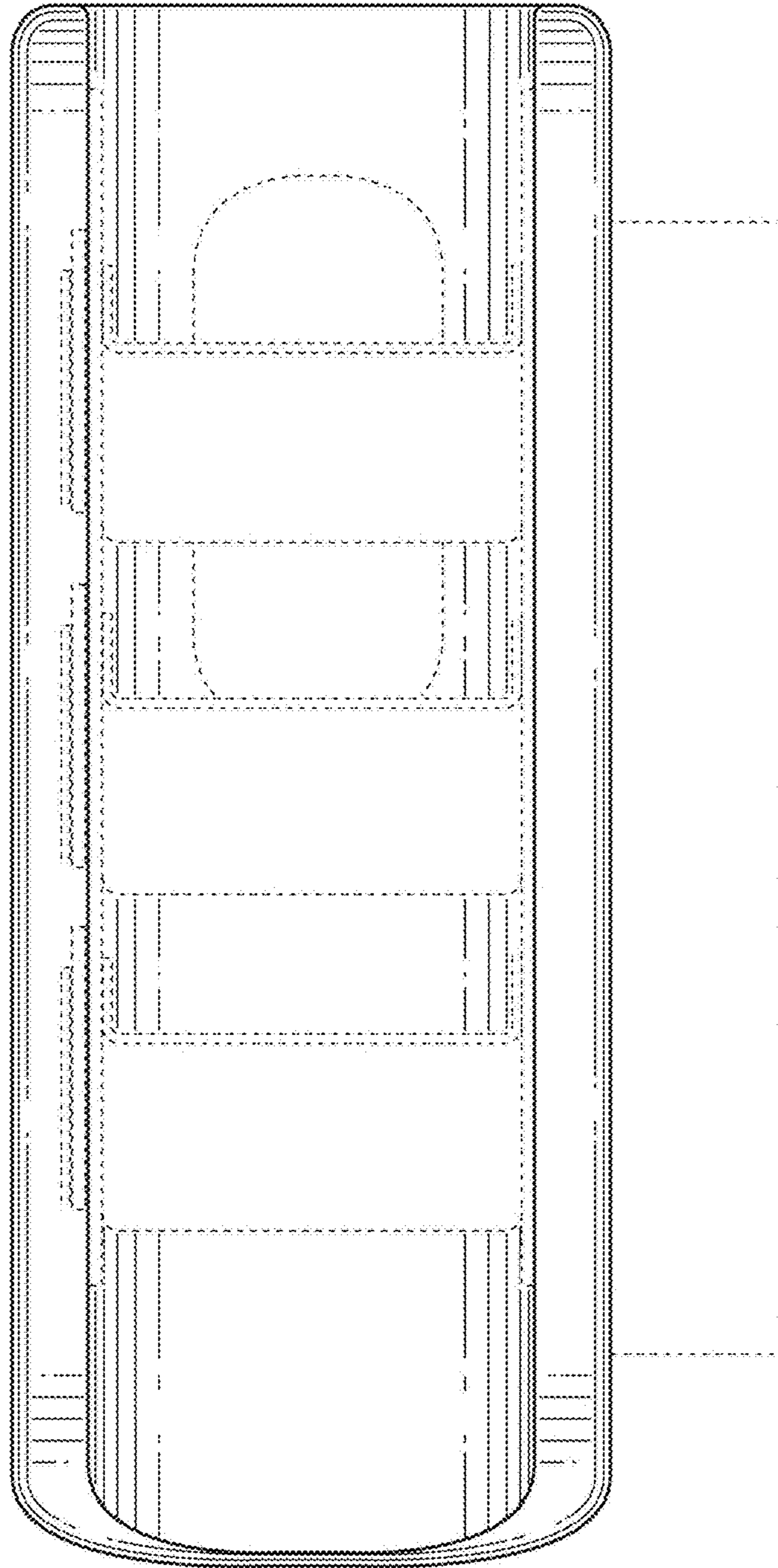


FIG. 7