



US00D823976S

(12) **United States Design Patent**
McDonald et al.

(10) **Patent No.:** **US D823,976 S**

(45) **Date of Patent:** **** Jul. 24, 2018**

(54) **SILENCER CAP**

(71) Applicant: **Q, LLC**, Portsmouth, NH (US)

(72) Inventors: **Brian McDonald**, Portsmouth, NH (US); **Kevin Brittingham**, Portsmouth, NH (US); **Ethan Lessard**, East Kingston, NH (US)

(73) Assignee: **Q, LLC**, Portsmouth, NH (US)

(**) Term: **15 Years**

(21) Appl. No.: **29/581,596**

(22) Filed: **Oct. 20, 2016**

Related U.S. Application Data

(63) Continuation of application No. 29/571,699, filed on Jul. 20, 2016.

(51) **LOC (11) Cl.** **22-01**

(52) **U.S. Cl.**
USPC **D22/108**

(58) **Field of Classification Search**
USPC D22/108
CPC F41A 21/30; F41A 21/325
See application file for complete search history.

(56) **References Cited**

U.S. PATENT DOCUMENTS

8,555,765 B2 * 10/2013 Graham, II F41A 21/325
285/92
9,631,888 B2 * 4/2017 Young F41A 21/325

9,921,021 B1 * 3/2018 Graham, II F41A 21/325
2017/0153080 A1 * 6/2017 Roberts F41A 21/30
2017/0167816 A1 * 6/2017 Young F41A 21/325
2017/0299313 A1 * 10/2017 Adamson, Jr. F41A 21/30
2018/0038663 A1 * 2/2018 Larue F41A 3/66
2018/0058791 A1 * 3/2018 Larue F41A 21/325

* cited by examiner

Primary Examiner — Michael A. Pratt

(74) *Attorney, Agent, or Firm* — Fox Rothschild LLP

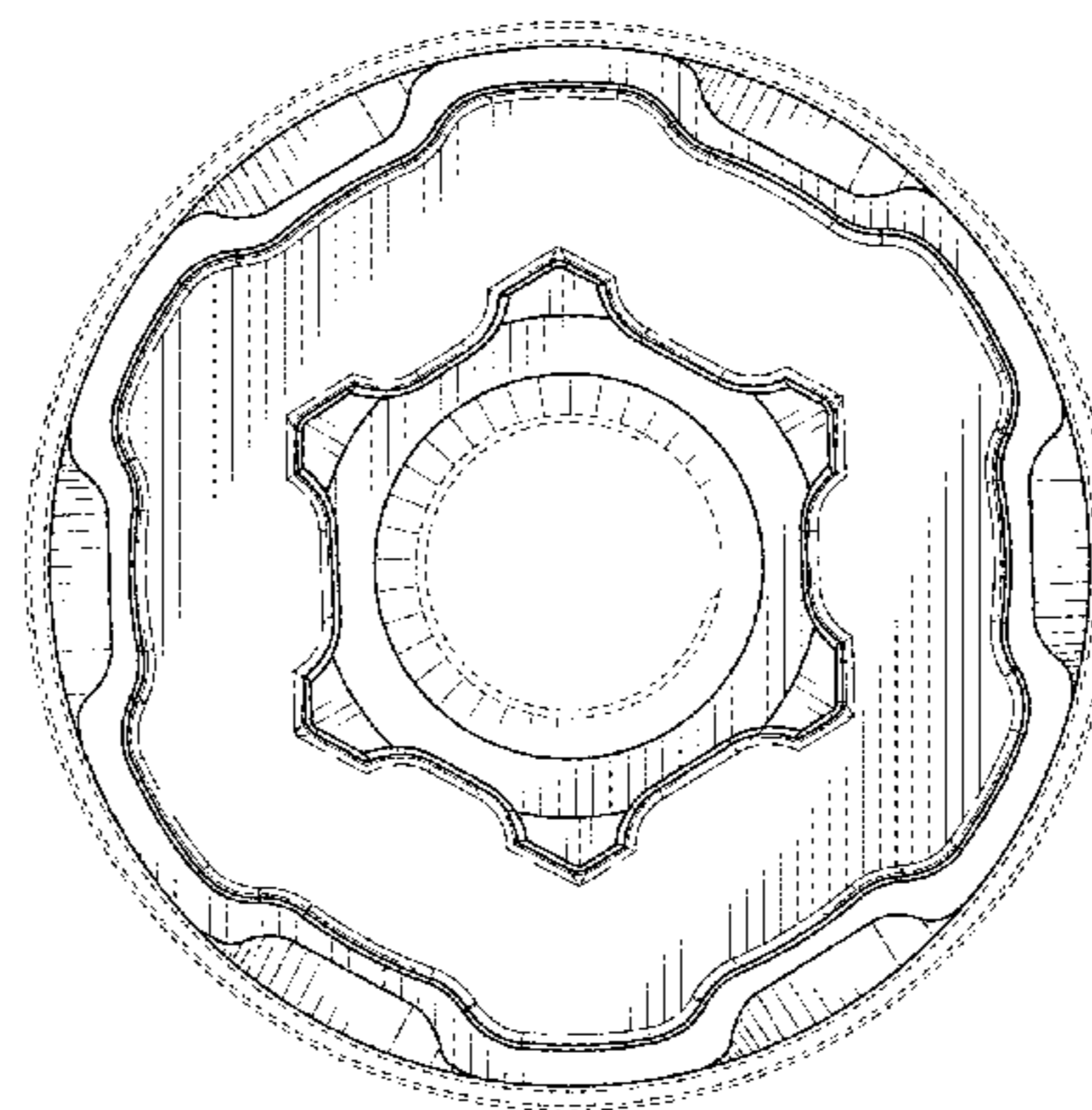
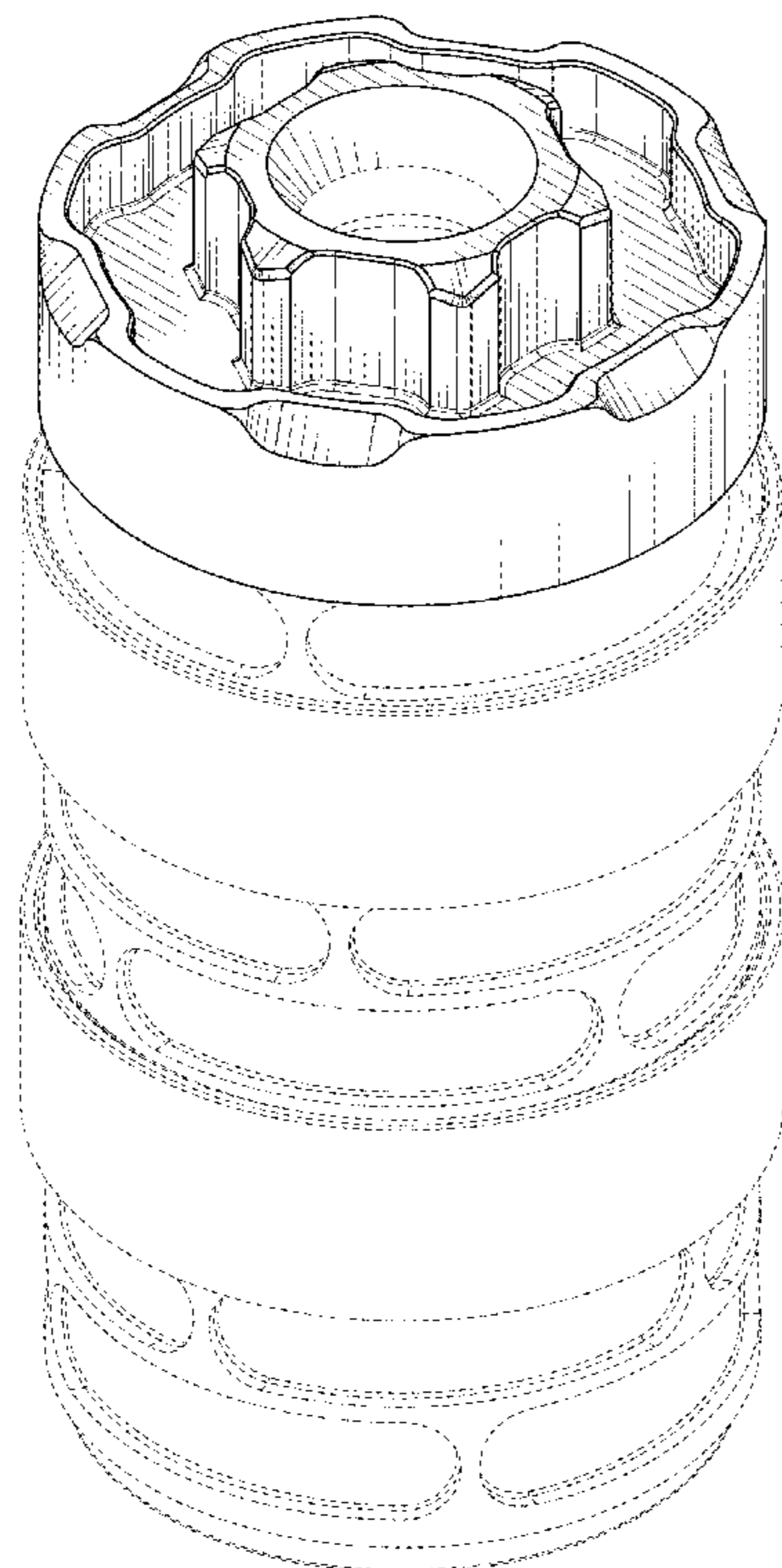
(57) **CLAIM**

The ornamental design for a silencer cap, as shown and described.

DESCRIPTION

FIG. 1 is an isometric view of a silencer cap in accordance with the present disclosure;
FIG. 2 is a front view of the silencer cap of FIG. 1;
FIG. 3 is a rear view of the silencer cap of FIG. 1;
FIG. 4 is a left side elevation view of the silencer cap of FIG. 1;
FIG. 5 is a right side elevation view of the silencer cap of FIG. 1; and,
FIG. 6 is a top view of the silencer cap of FIG. 1.
The broken lines in the Figures are for illustrative purposes only and form no part of the claimed design.

1 Claim, 6 Drawing Sheets



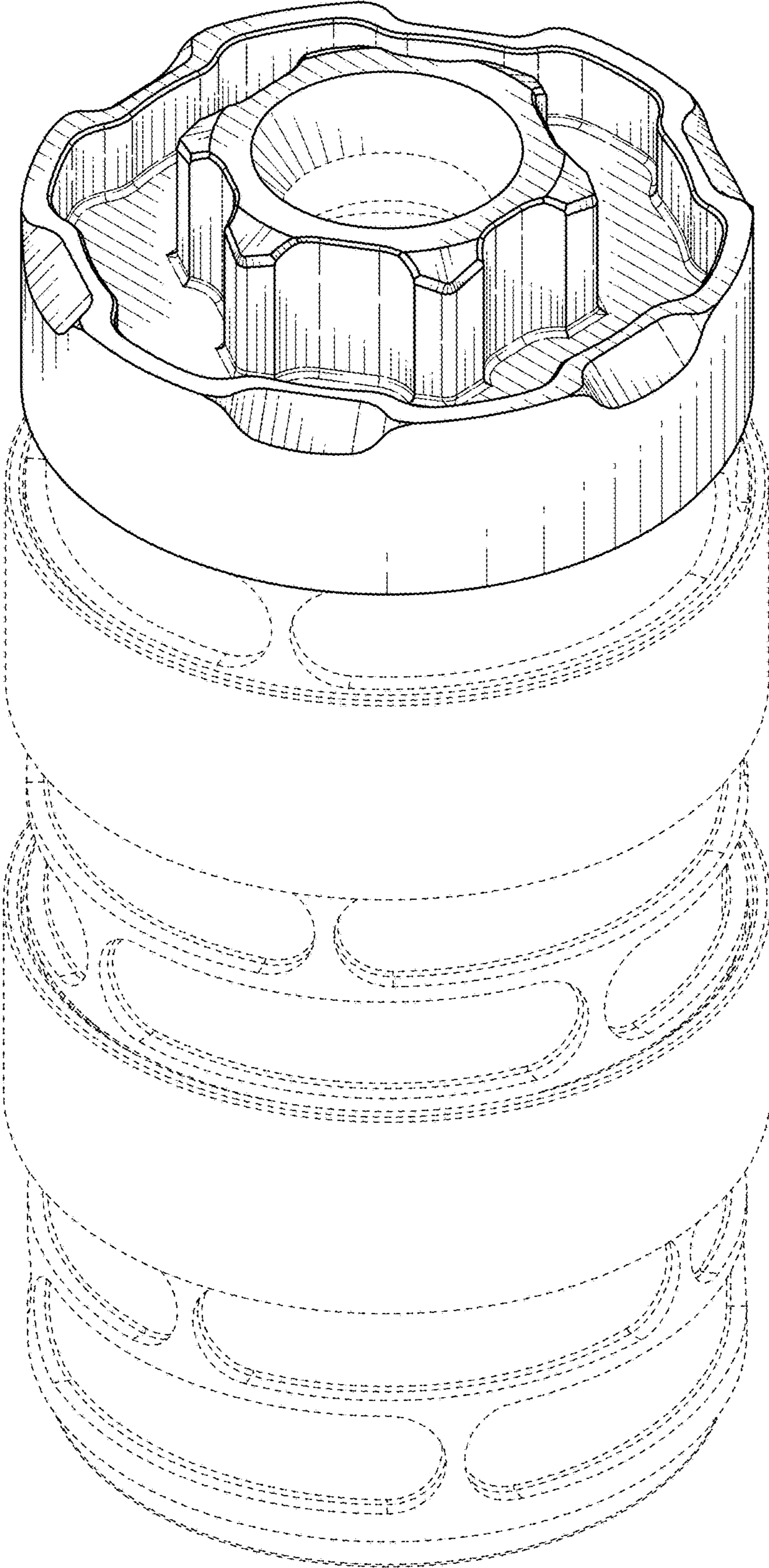


FIG. 1

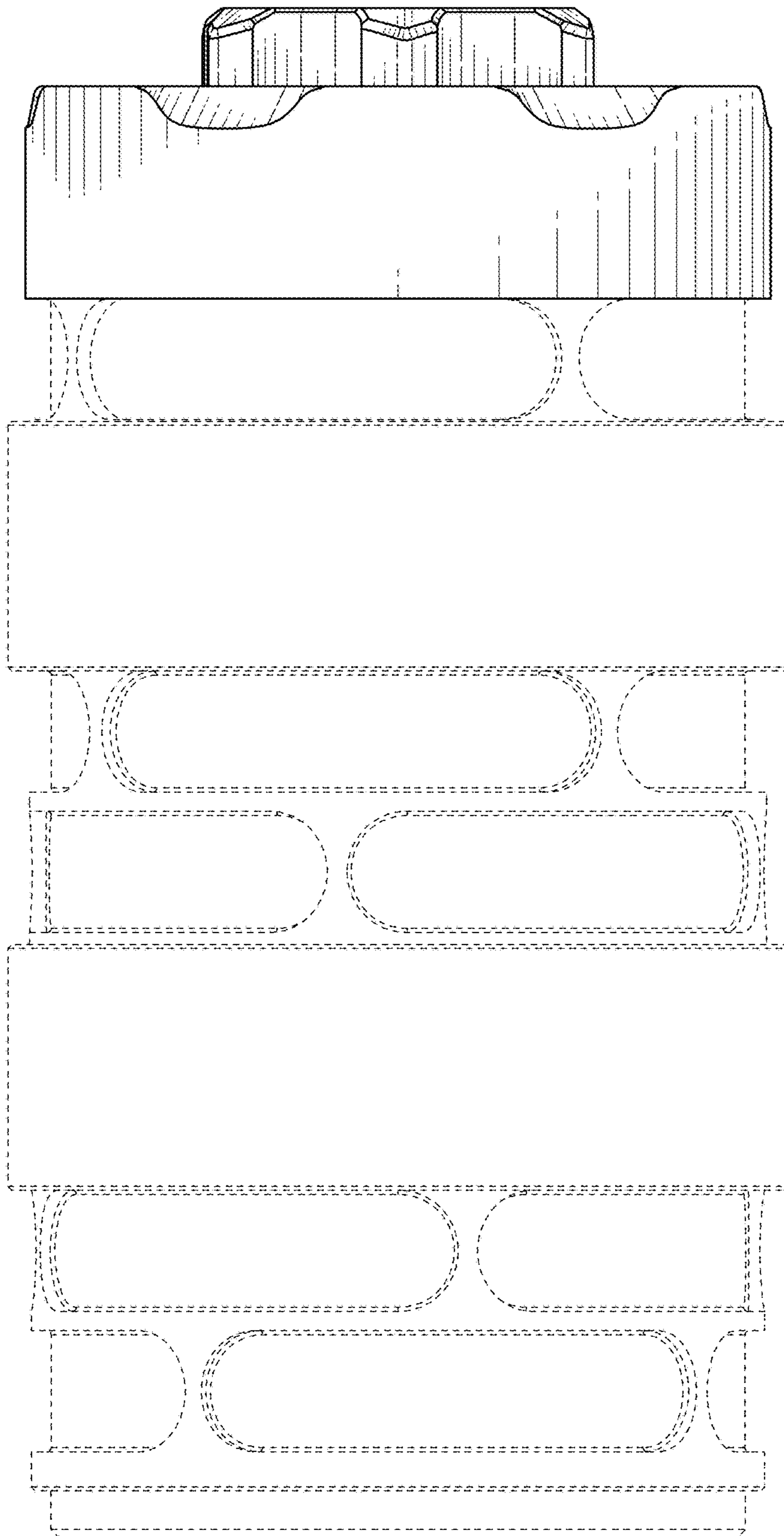


FIG. 2

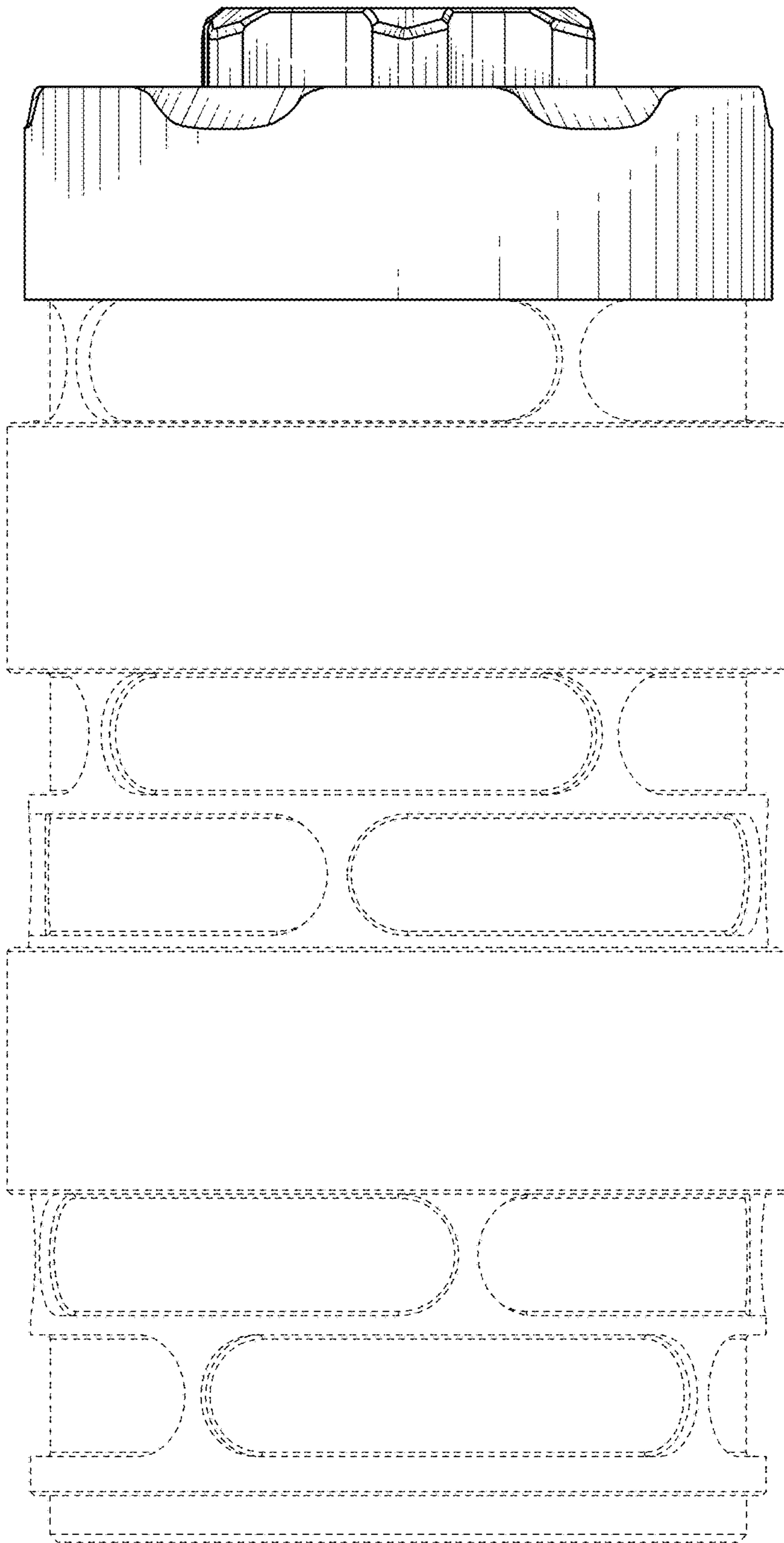


FIG. 3

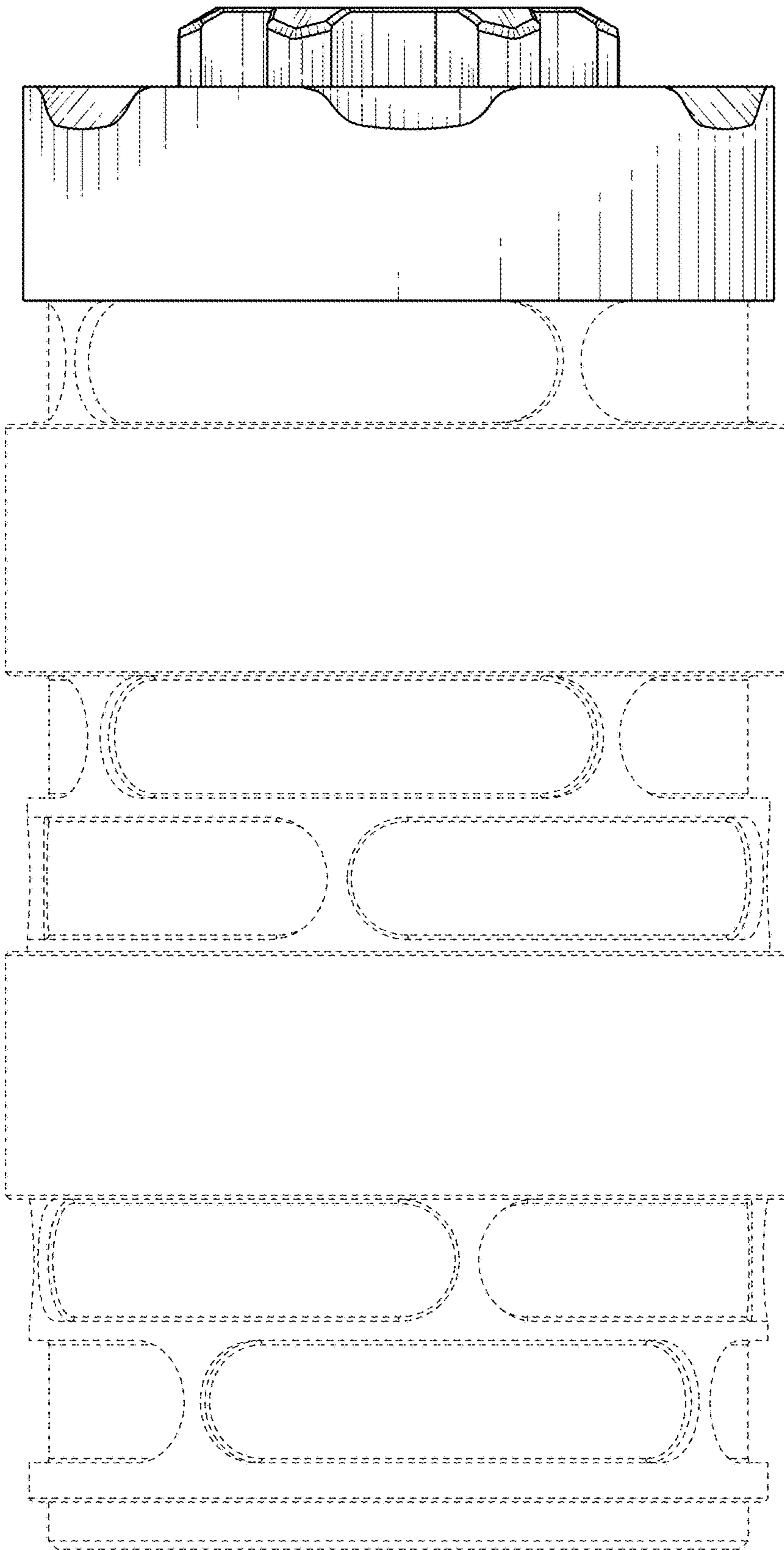


FIG. 4

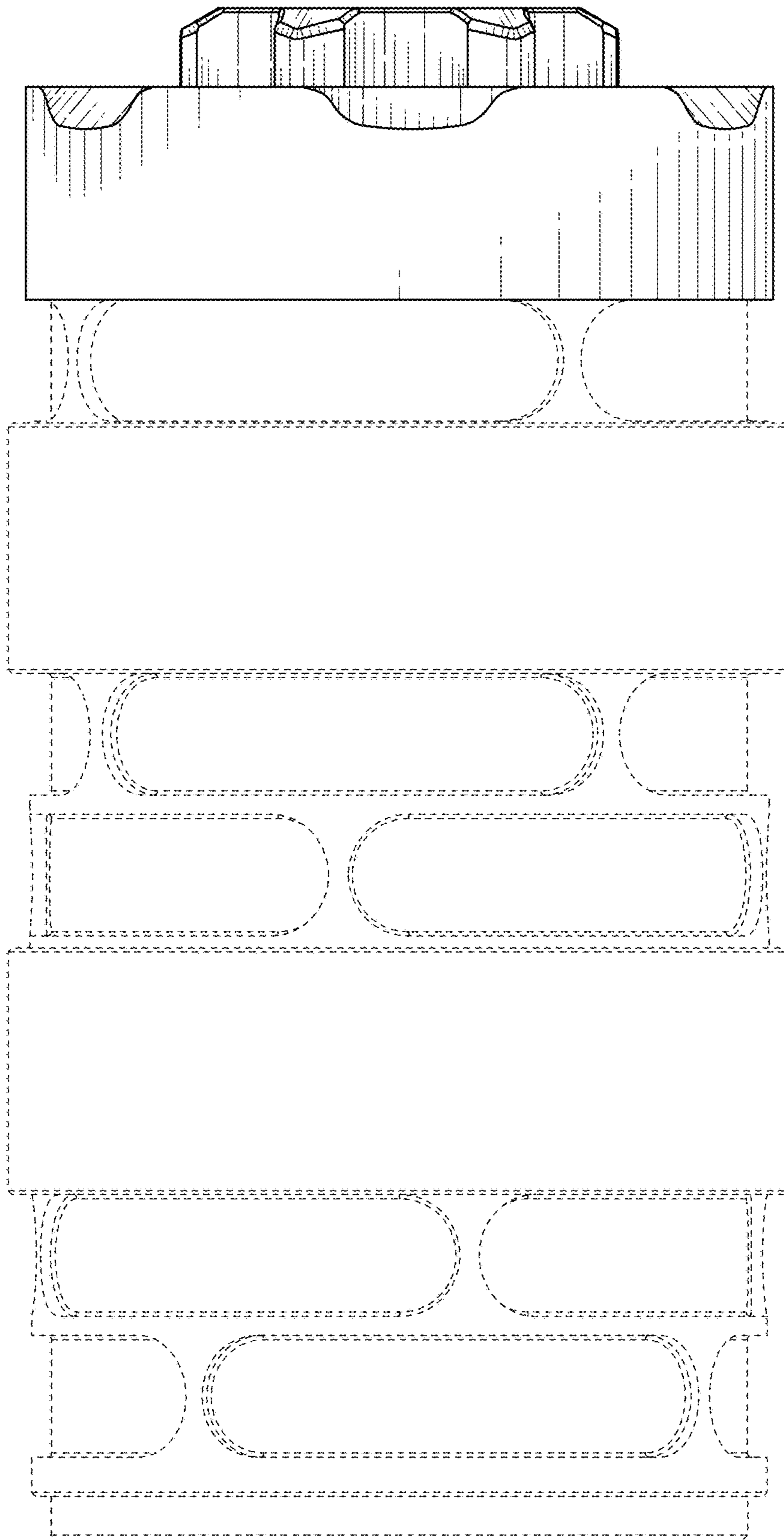


FIG. 5

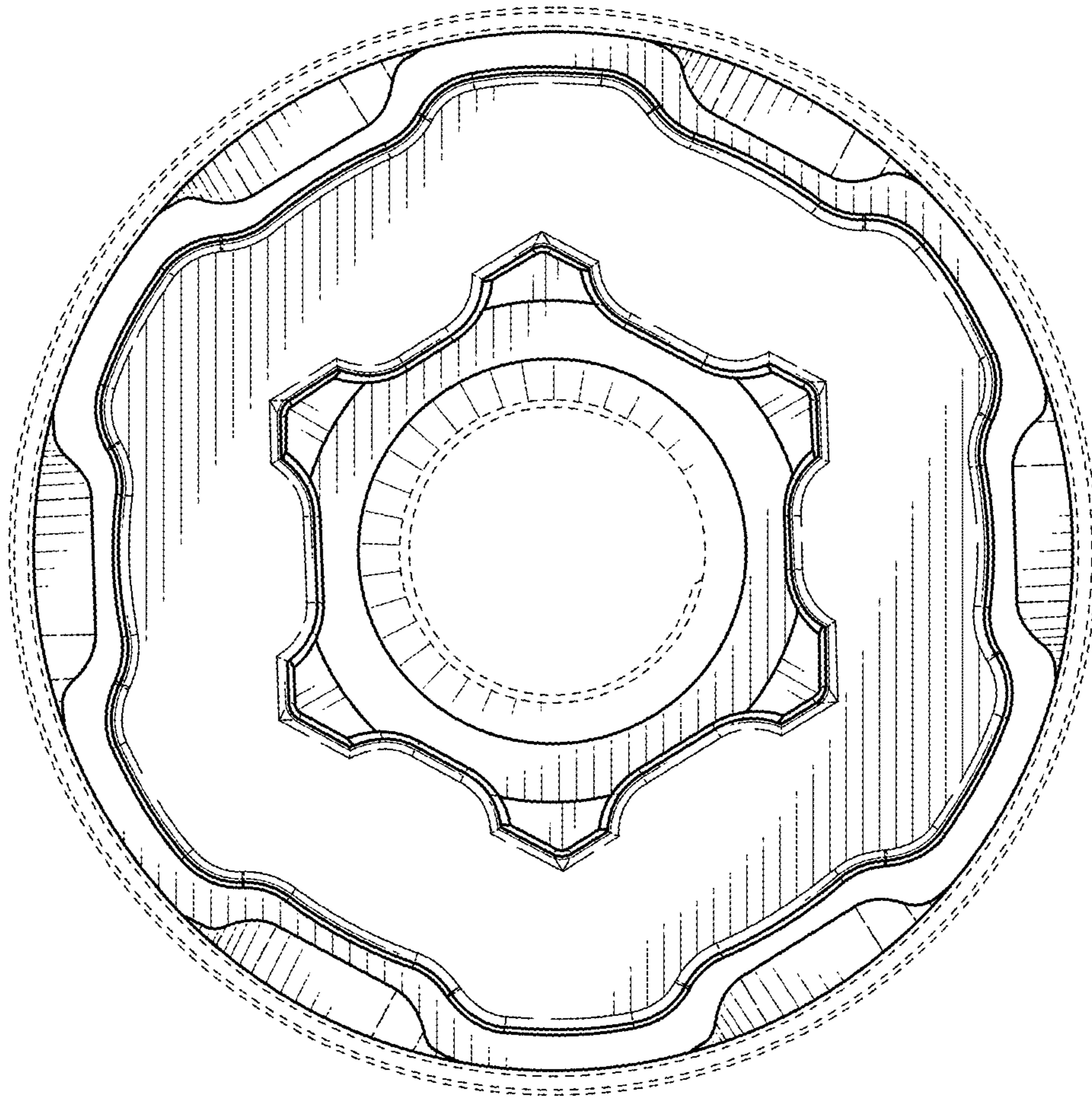


FIG. 6