



US00D823975S

(12) **United States Design Patent**
Anderson

(10) **Patent No.:** **US D823,975 S**
(45) **Date of Patent:** **** Jul. 24, 2018**

(54) **ACCESSORY FOR A FIREARMS MAGAZINE**

(71) Applicant: **Casey Anderson**, Kennedy, NY (US)

(72) Inventor: **Casey Anderson**, Kennedy, NY (US)

(**) Term: **15 Years**

(21) Appl. No.: **29/578,174**

(22) Filed: **Sep. 19, 2016**

Related U.S. Application Data

(62) Division of application No. 29/510,212, filed on Nov. 25, 2014, now Pat. No. Des. 770,002.

(51) **LOC (11) Cl.** **22-01**

(52) **U.S. Cl.**
USPC **D22/108**

(58) **Field of Classification Search**
USPC D22/108

(Continued)

(56) **References Cited**

U.S. PATENT DOCUMENTS

1,511,916 A * 10/1924 Sipes F41C 27/16
30/155

D726,279 S * 4/2015 Stedman D22/108
(Continued)

Primary Examiner — Michael A. Pratt

(74) *Attorney, Agent, or Firm* — The Bilicki Law Firm,
P.C.; Carl A. Hjort, III

(57) **CLAIM**

The ornamental design for an accessory for a firearms magazine, as shown and described.

DESCRIPTION

FIG. 1 is a right side view of a first embodiment of an accessory for a firearms magazine, with the sheath removed, according to the present design.

FIG. 2 is a left side view of a first embodiment of an accessory for a firearms magazine, with the sheath removed. FIG. 3 is a top view of a first embodiment of an accessory for a firearms magazine.

FIG. 4 is a bottom view of a first embodiment of an accessory for a firearms magazine.

FIG. 5 is a front view of a first embodiment of an accessory for a firearms magazine, with the sheath removed.

FIG. 6 is a rear view of a first embodiment of an accessory for a firearms magazine.

FIG. 7 is a top perspective view of a first embodiment of an accessory for a firearms magazine with the sheath removed.

FIG. 8 is an exploded view of a first embodiment of an accessory for a firearms magazine showing engagement of the sheath with the remainder of the accessory.

FIG. 9 is a right side view of a first embodiment of an accessory for a firearms magazine, with the sheath engaged.

FIG. 10 is a front view of a first embodiment of an accessory for a firearms magazine, with the sheath engaged.

FIG. 11 is a top perspective view of the sheath for a first embodiment of an accessory for a firearms magazine.

FIG. 12 is a right side view of a second embodiment of an accessory for a firearms magazine, with the sheath removed.

FIG. 13 is a left side view of a second embodiment of an accessory for a firearms magazine, with the sheath removed.

FIG. 14 is a top view of a second embodiment of an accessory for a firearms magazine.

FIG. 15 is a bottom view of a second embodiment of an accessory for a firearms magazine.

FIG. 16 is a front view of a second embodiment of an accessory for a firearms magazine, with the sheath removed.

FIG. 17 is a rear view of a second embodiment of an accessory for a firearms magazine.

FIG. 18 is a top perspective view of a second embodiment of an accessory for a firearms magazine with the sheath removed.

FIG. 19 is an exploded view of a second embodiment of an accessory for a firearms magazine showing engagement of the sheath with the remainder of the accessory.

FIG. 20 is a right side view of a second embodiment of an accessory for a firearms magazine, with the sheath engaged.

FIG. 21 is a front view of a second embodiment of an accessory for a firearms magazine, with the sheath engaged; and,

(Continued)

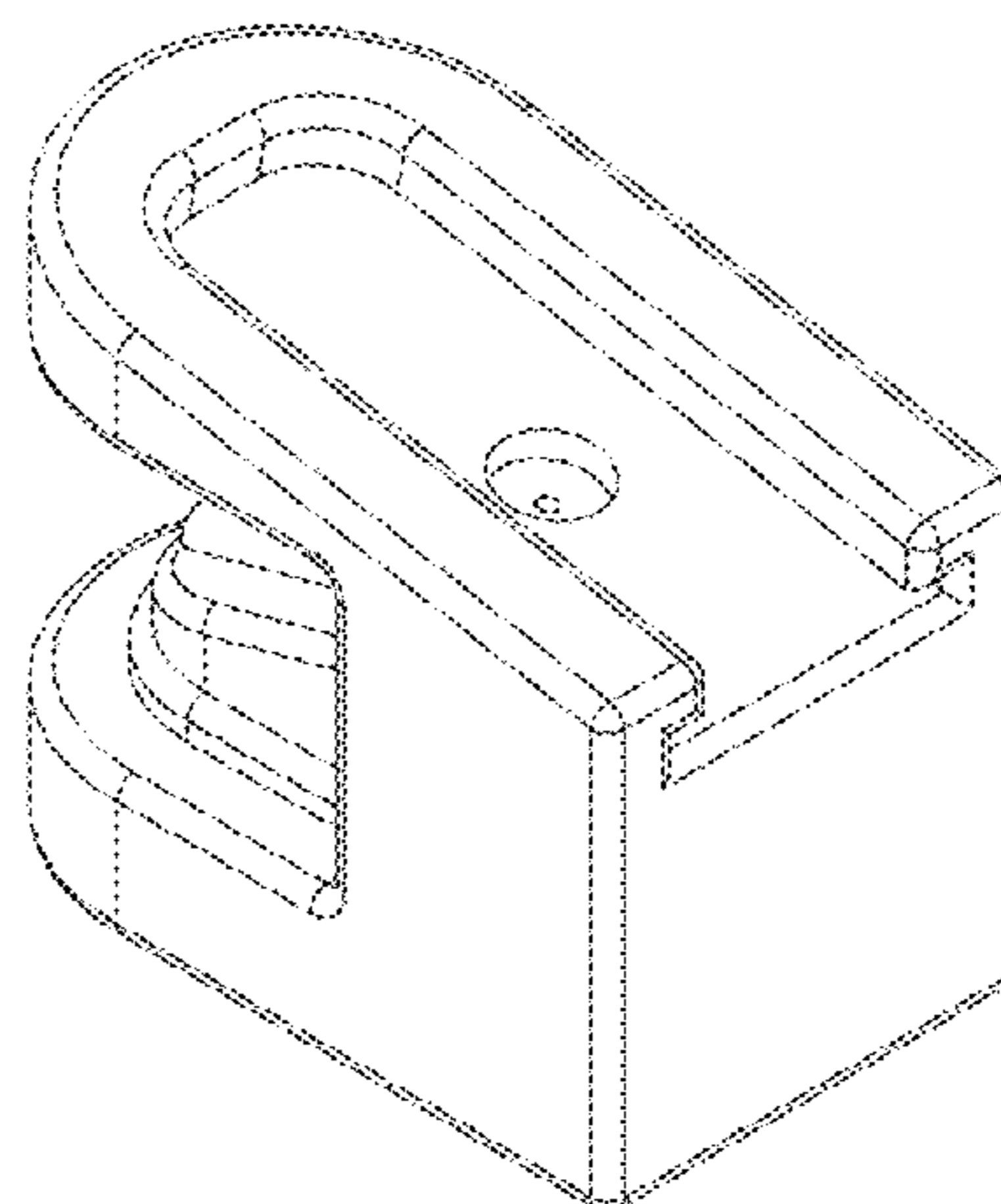
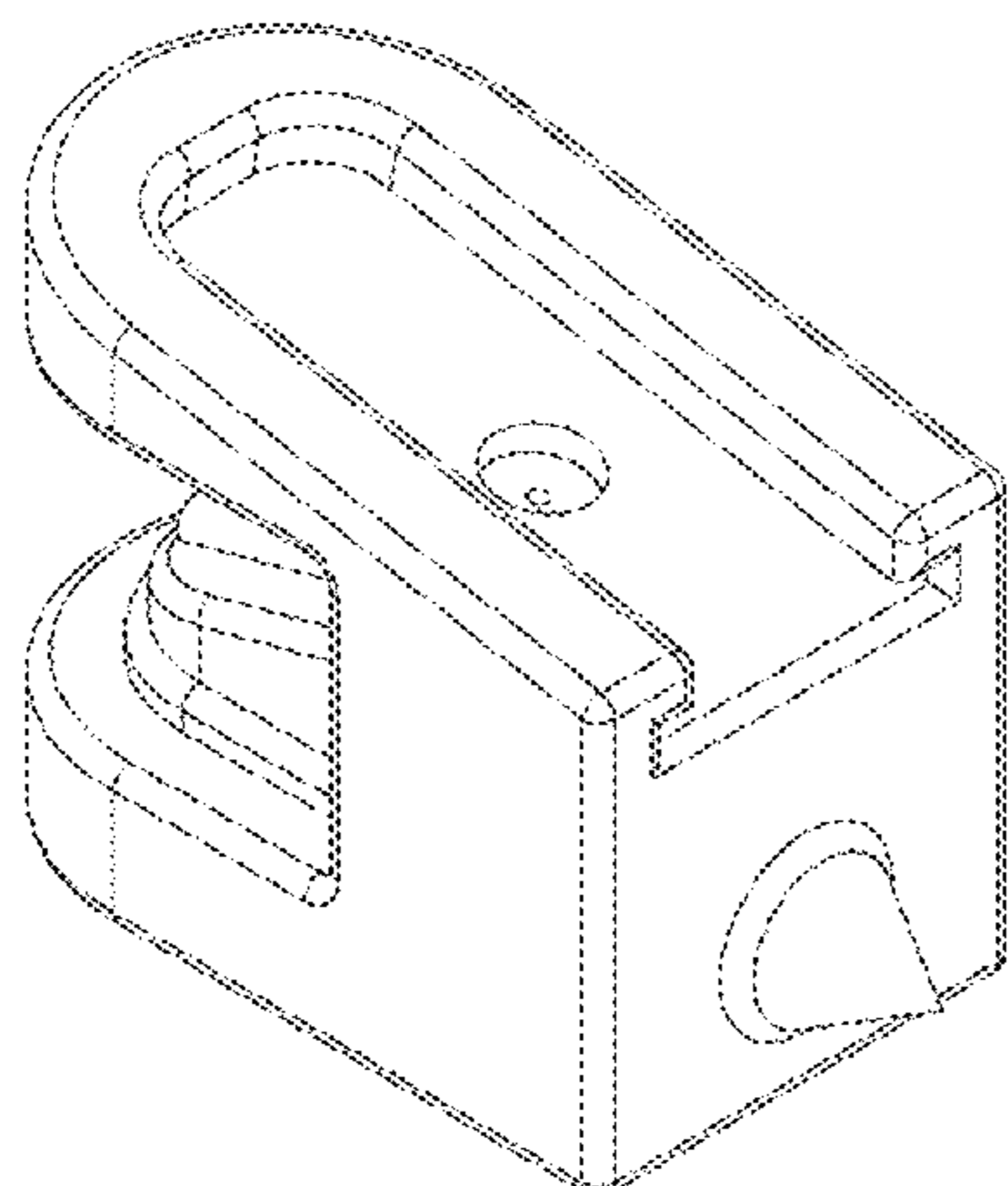


FIG. 22 is a top perspective view of the sheath for a second embodiment of an accessory for a firearms magazine.

1 Claim, 22 Drawing Sheets

(58) **Field of Classification Search**

CPC F41A 9/70; F41A 9/65; F41A 9/71; F41A
9/68; F41A 9/69; F41A 11/02; F41A
9/61; F41A 9/00; F41A 9/17; F41A 9/23;
F41A 9/34; F41A 9/84

See application file for complete search history.

(56) **References Cited**

U.S. PATENT DOCUMENTS

D770,002 S * 10/2016 Anderson D22/108
2013/0333261 A1 * 12/2013 Clifton, Jr. F41A 9/65
42/50

* cited by examiner

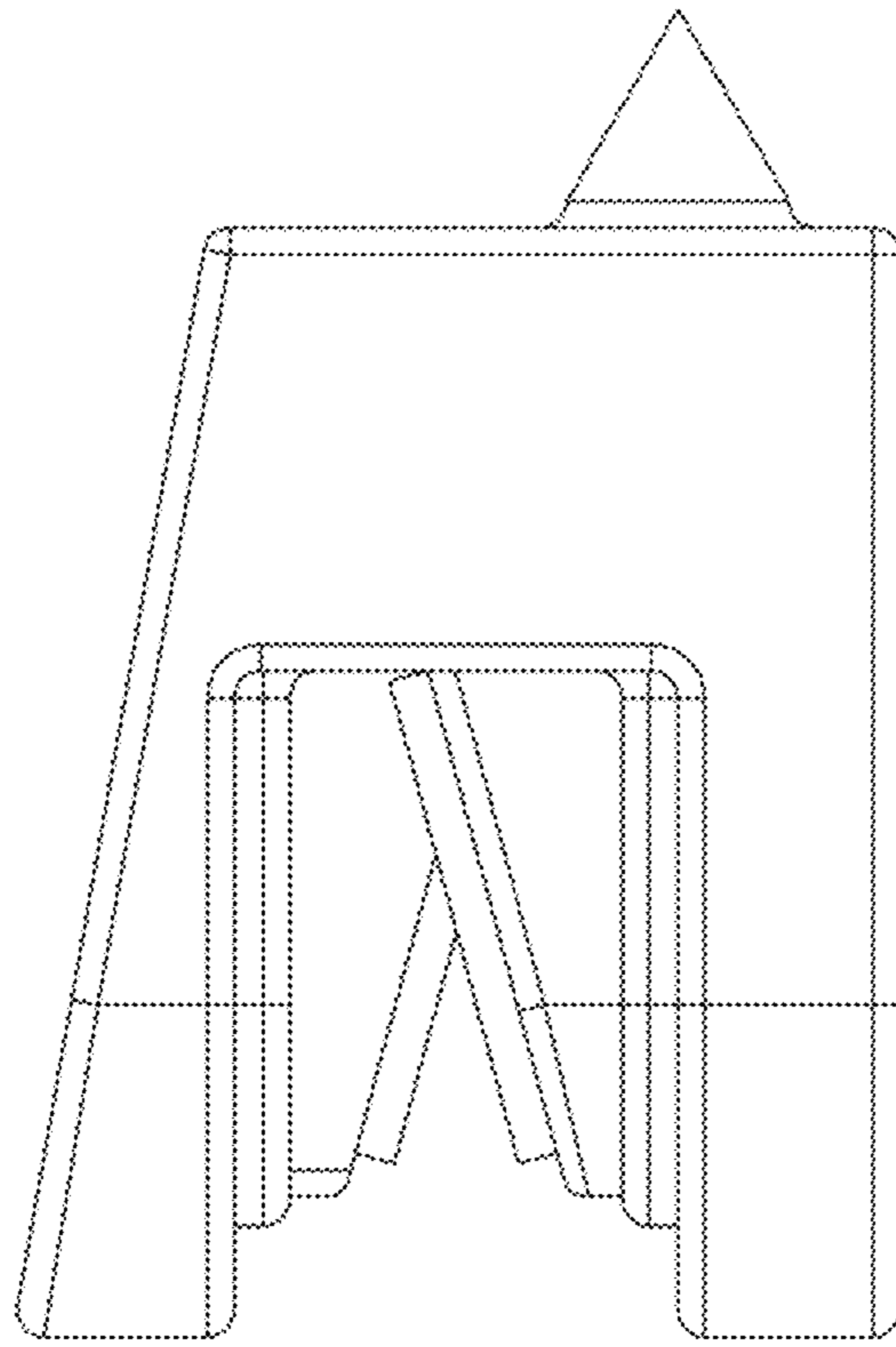


FIGURE 1

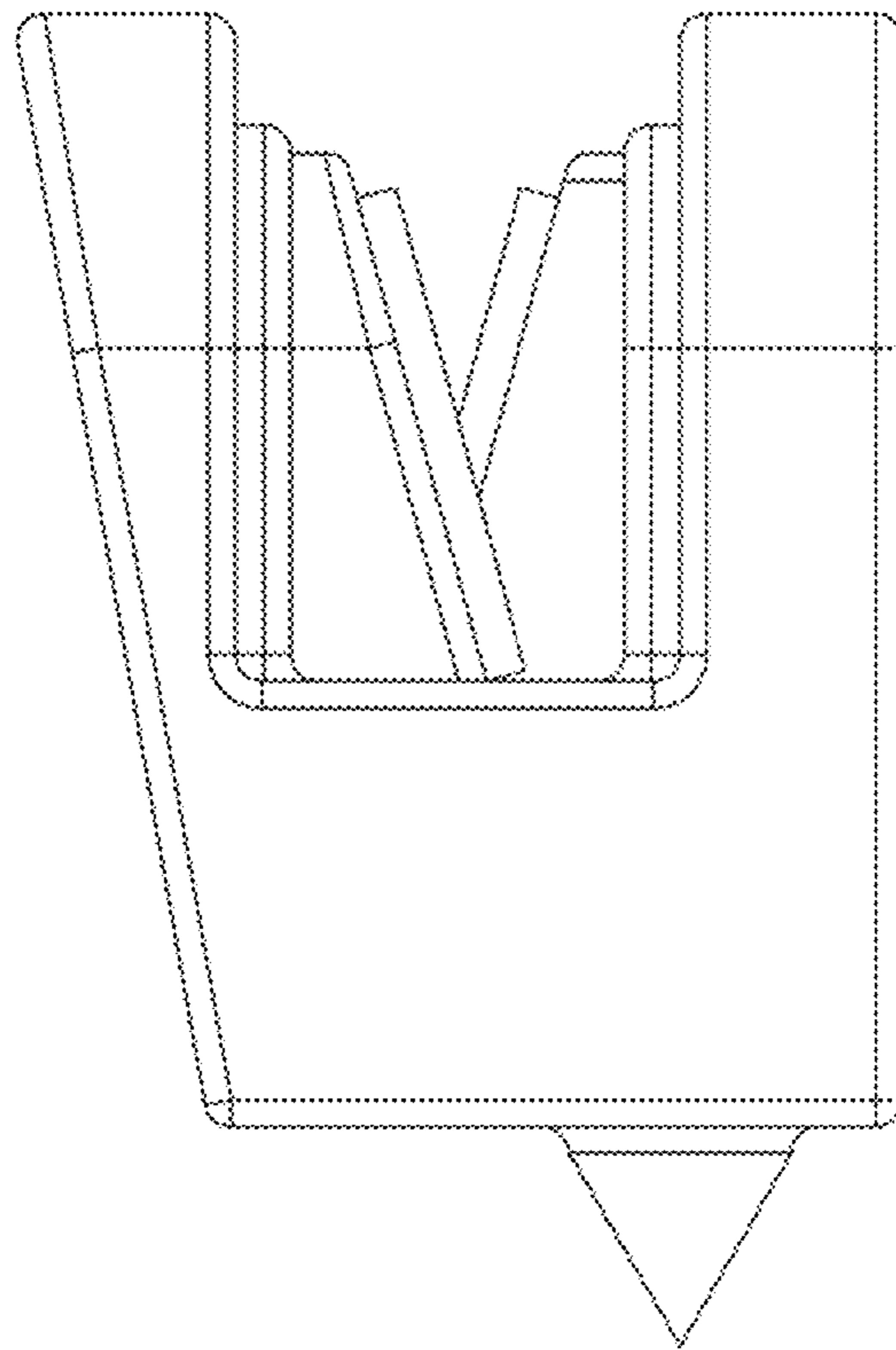


FIGURE 2

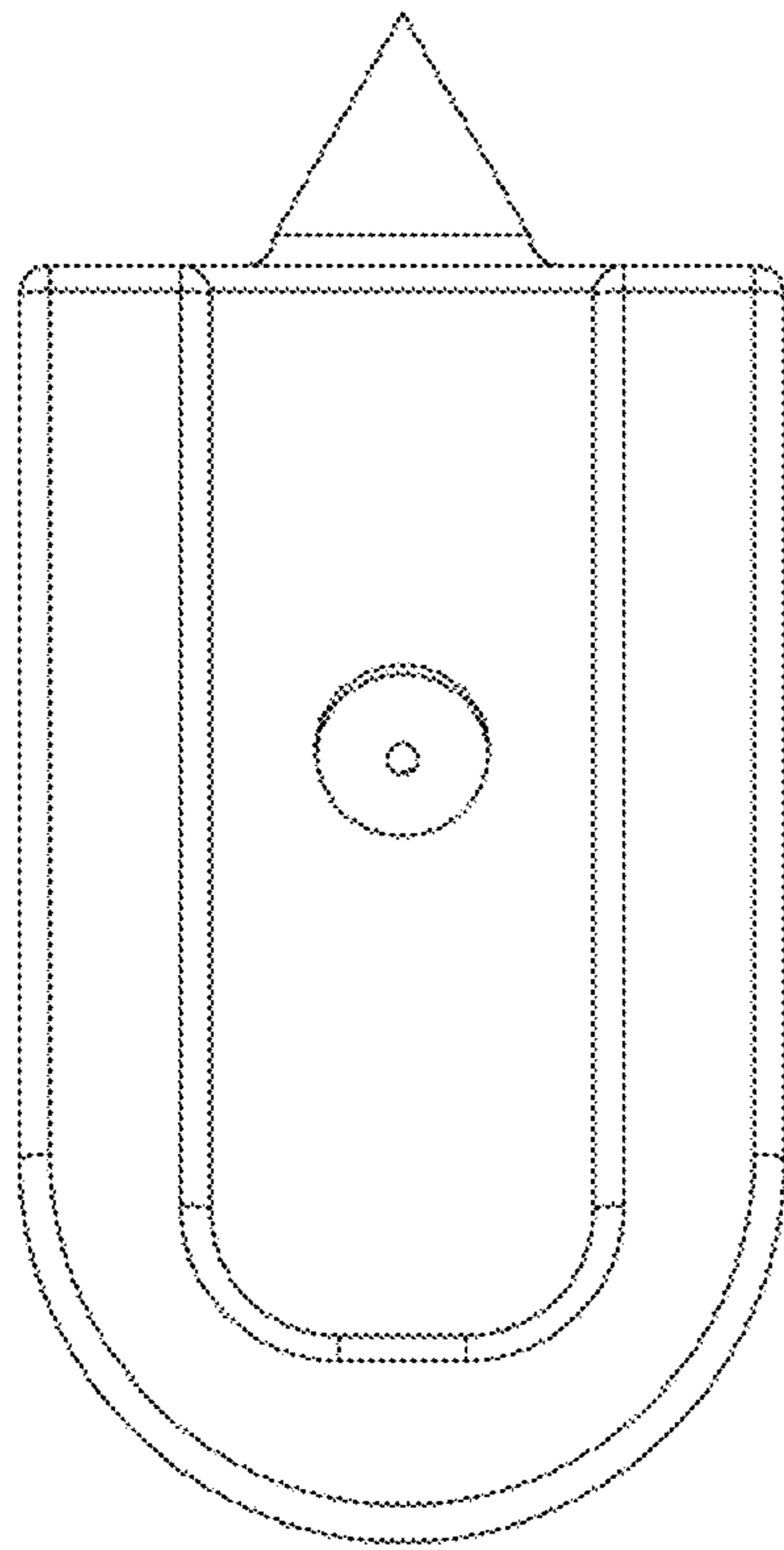


FIGURE 3

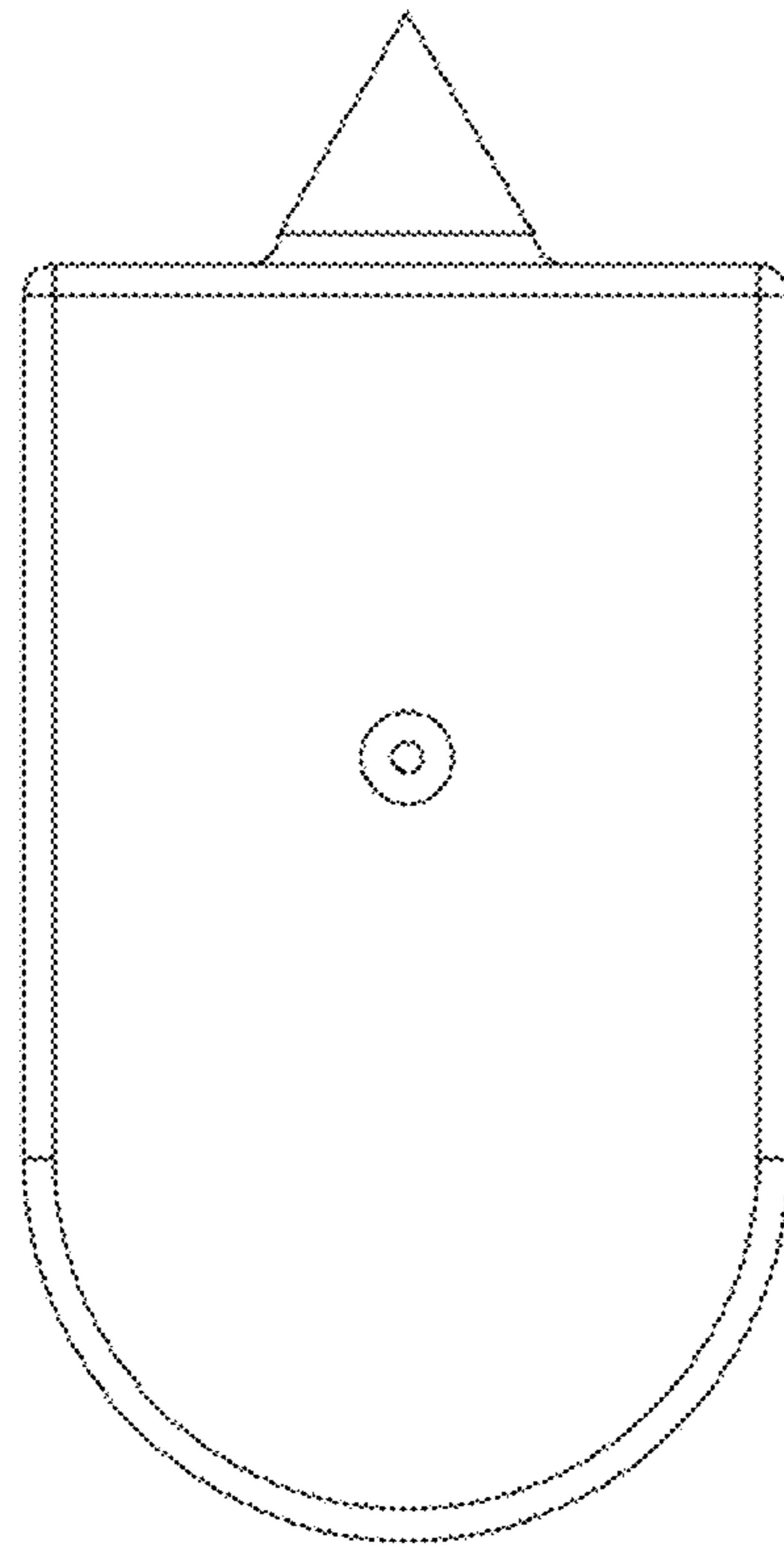


FIGURE 4

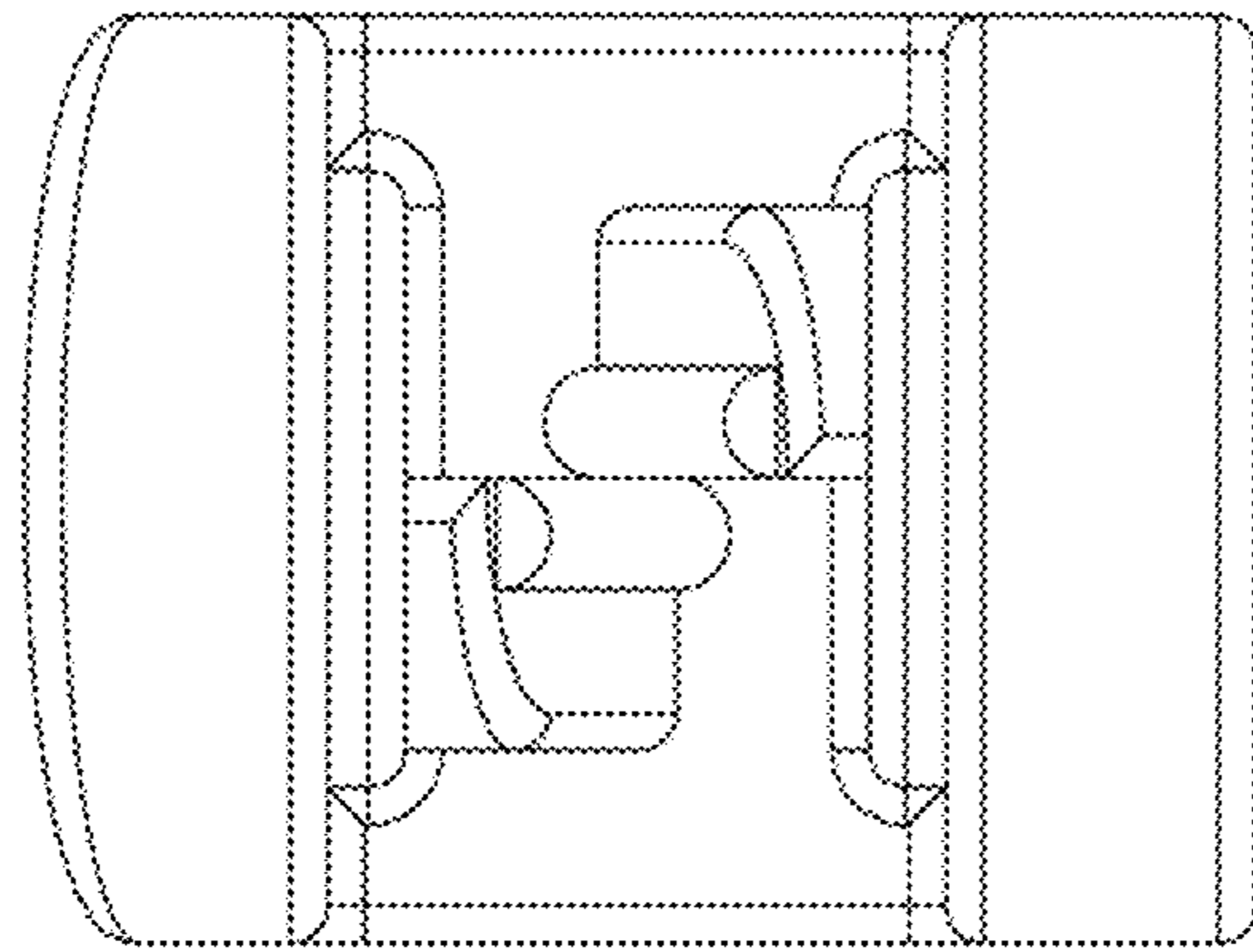


FIGURE 5

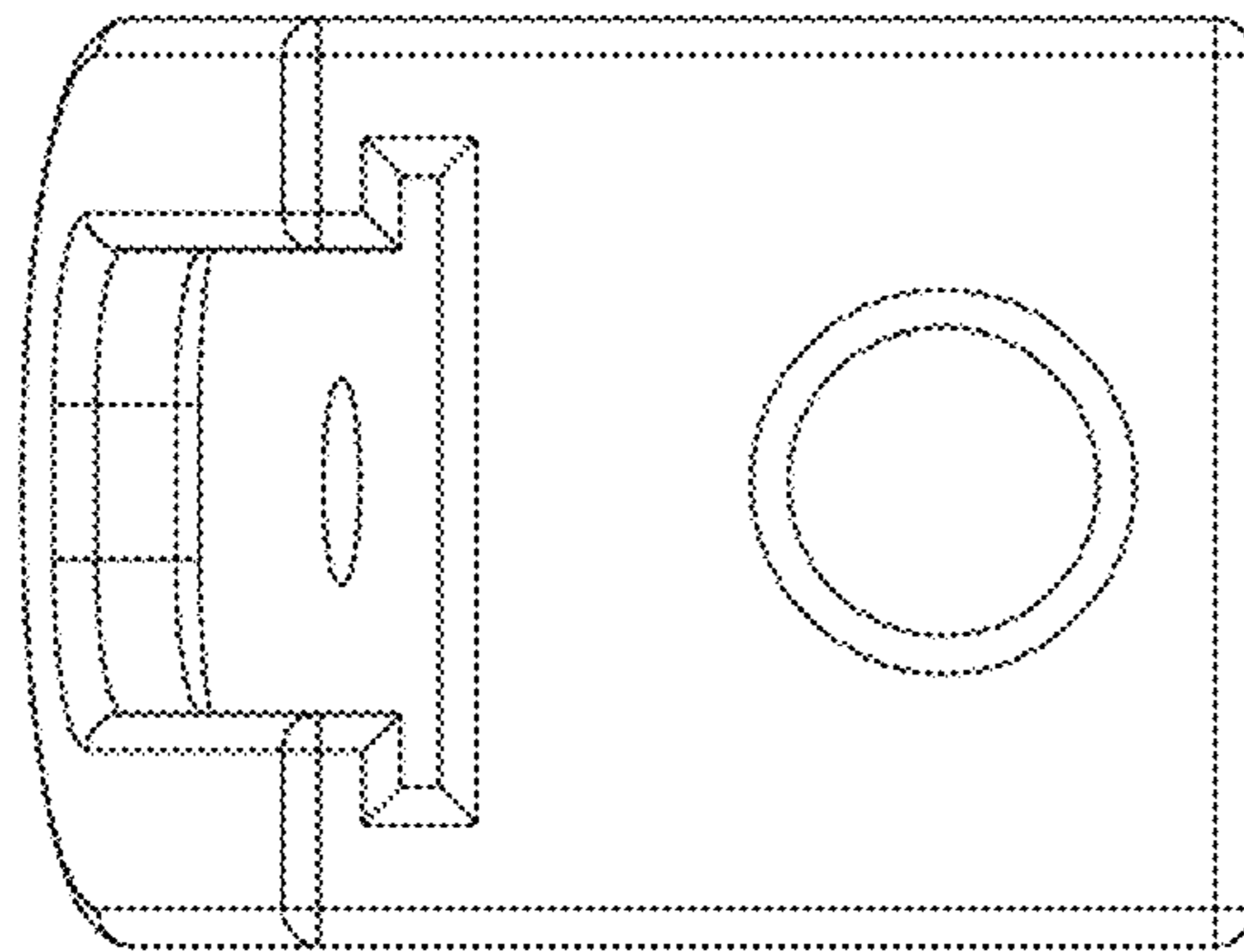


FIGURE 6

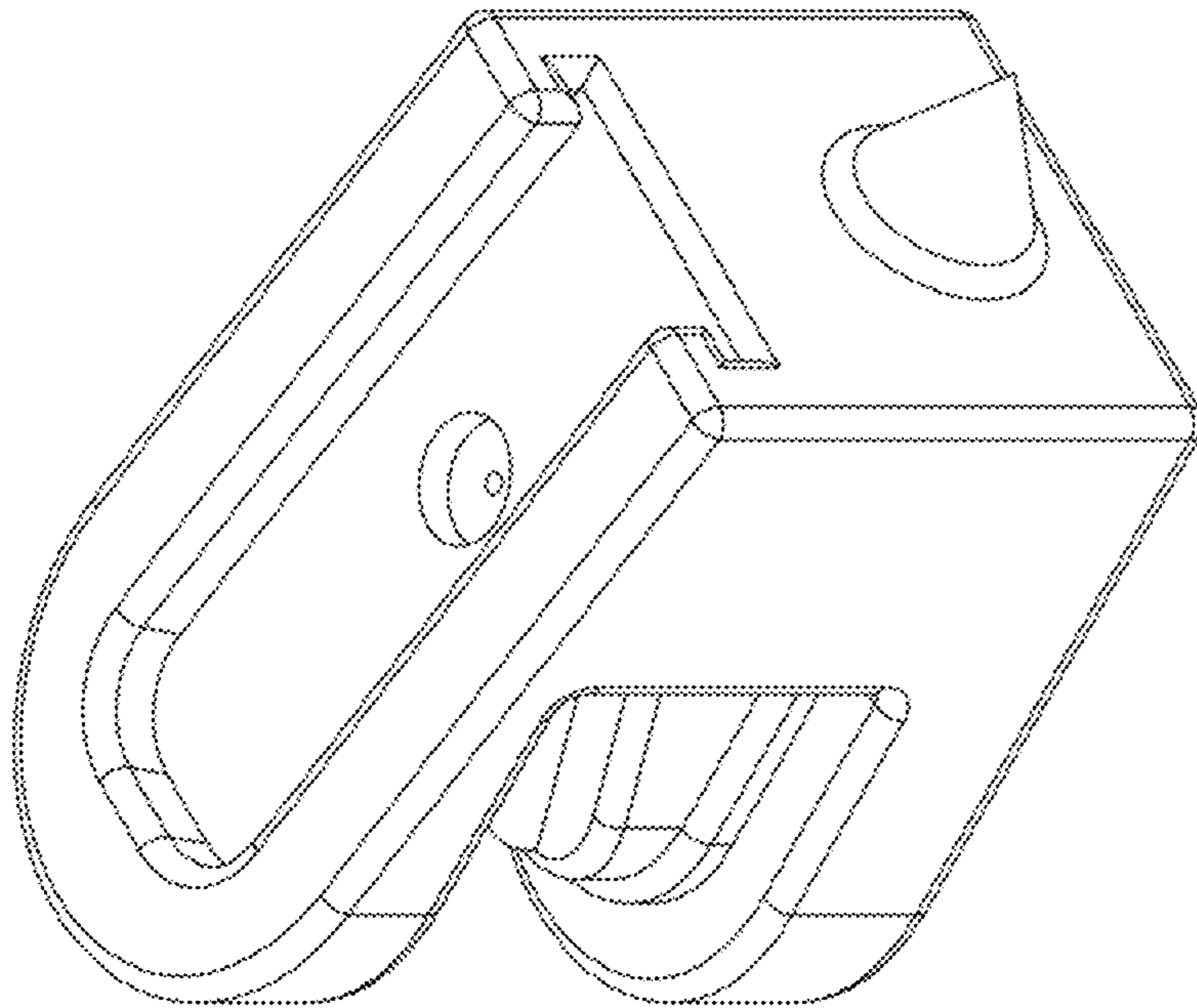


FIGURE 7

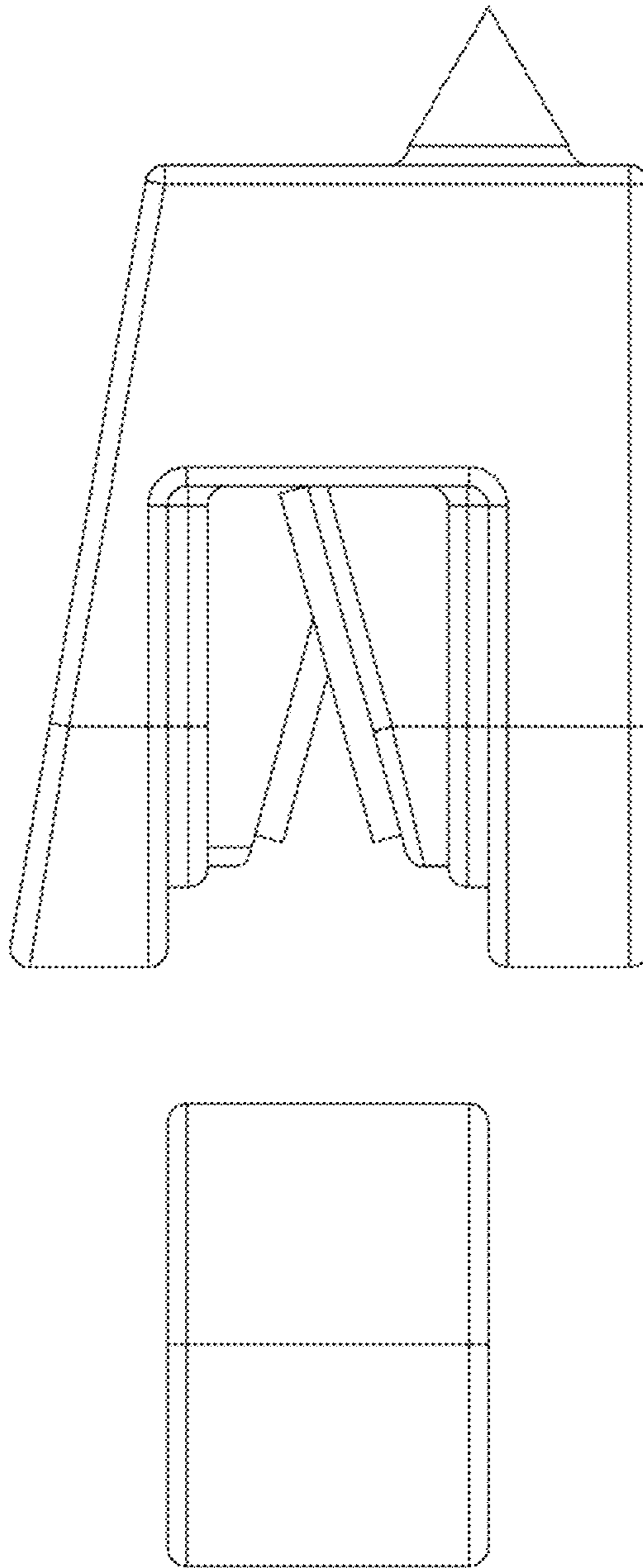


FIGURE 8

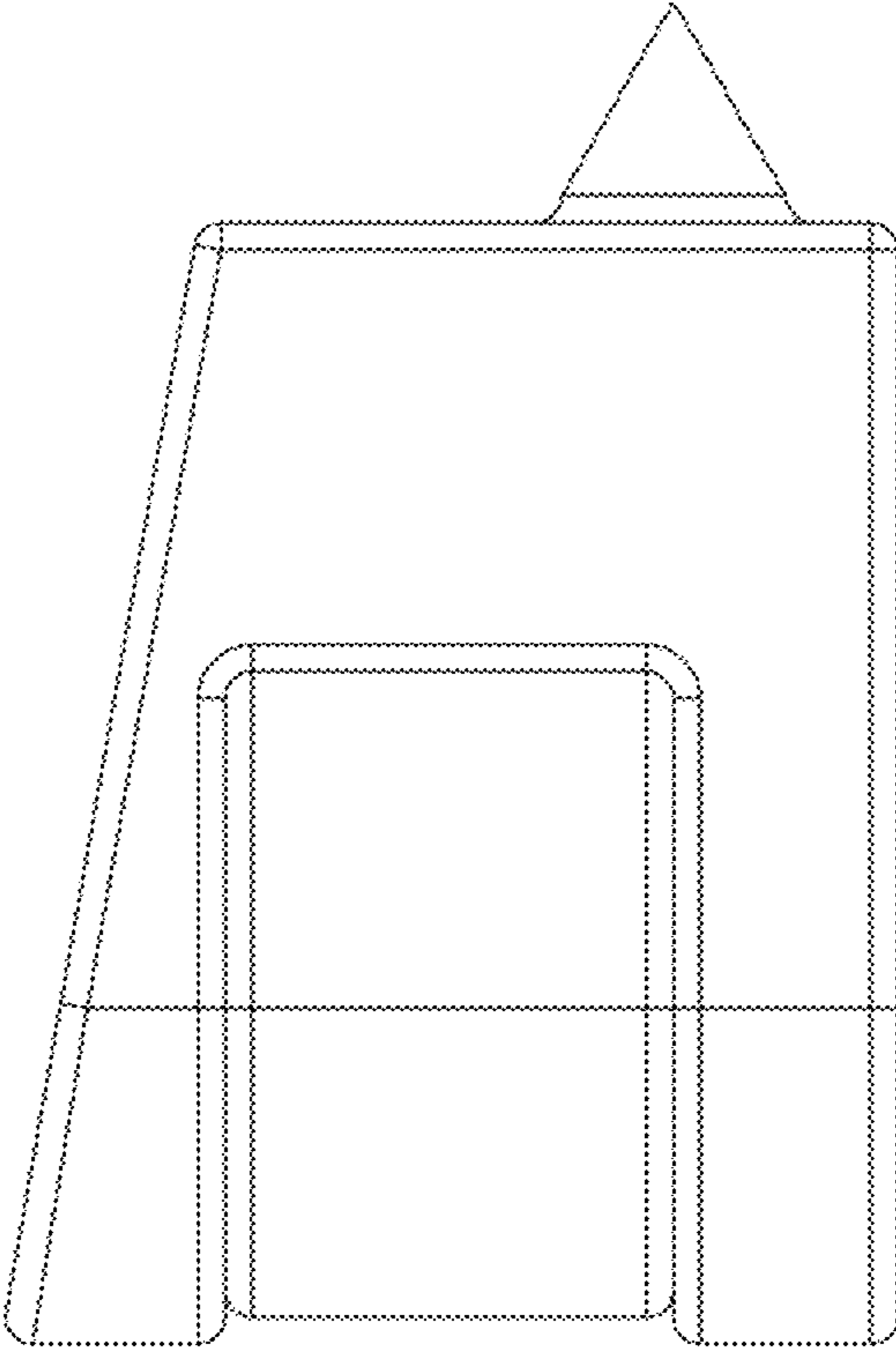


FIGURE 9

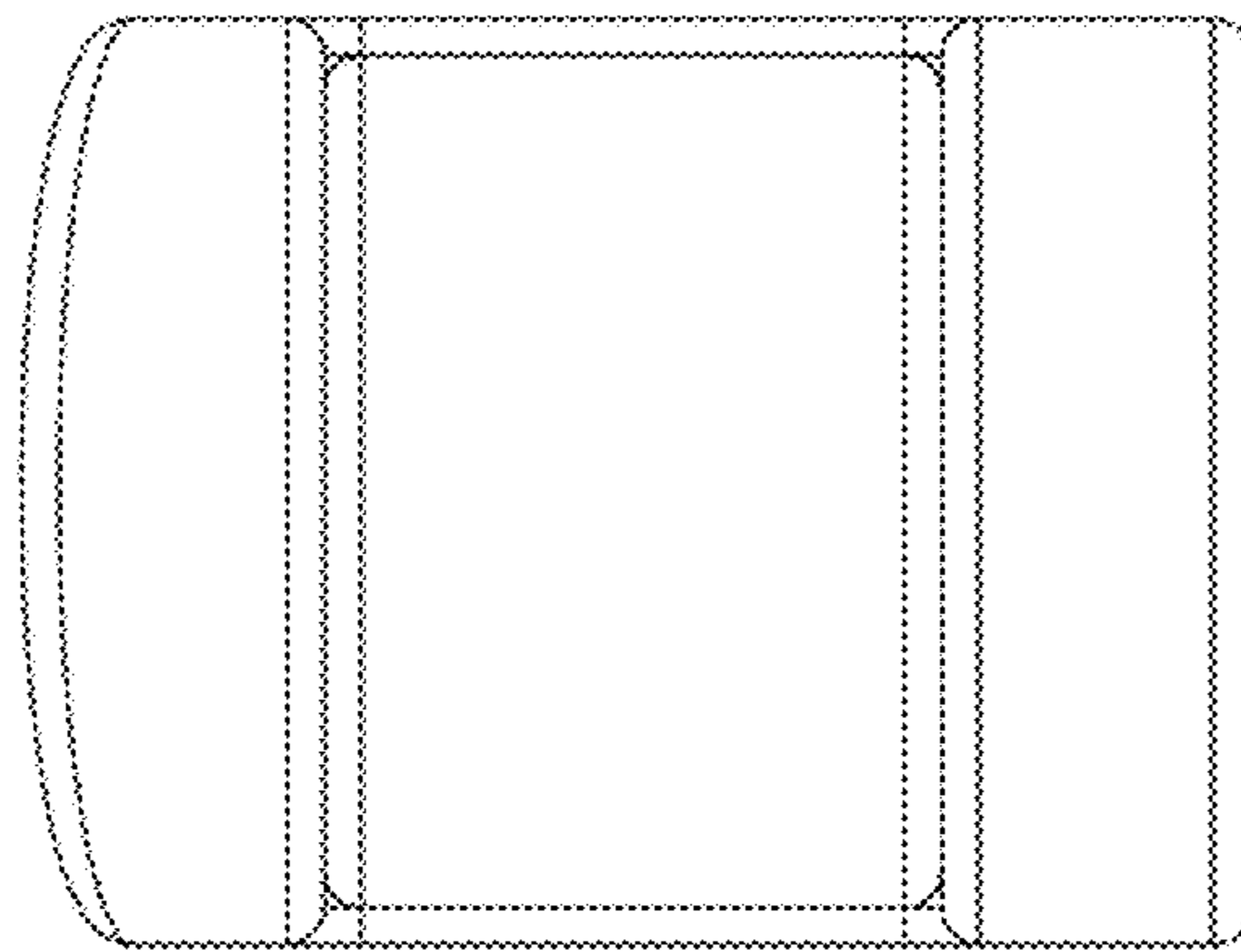


FIGURE 10

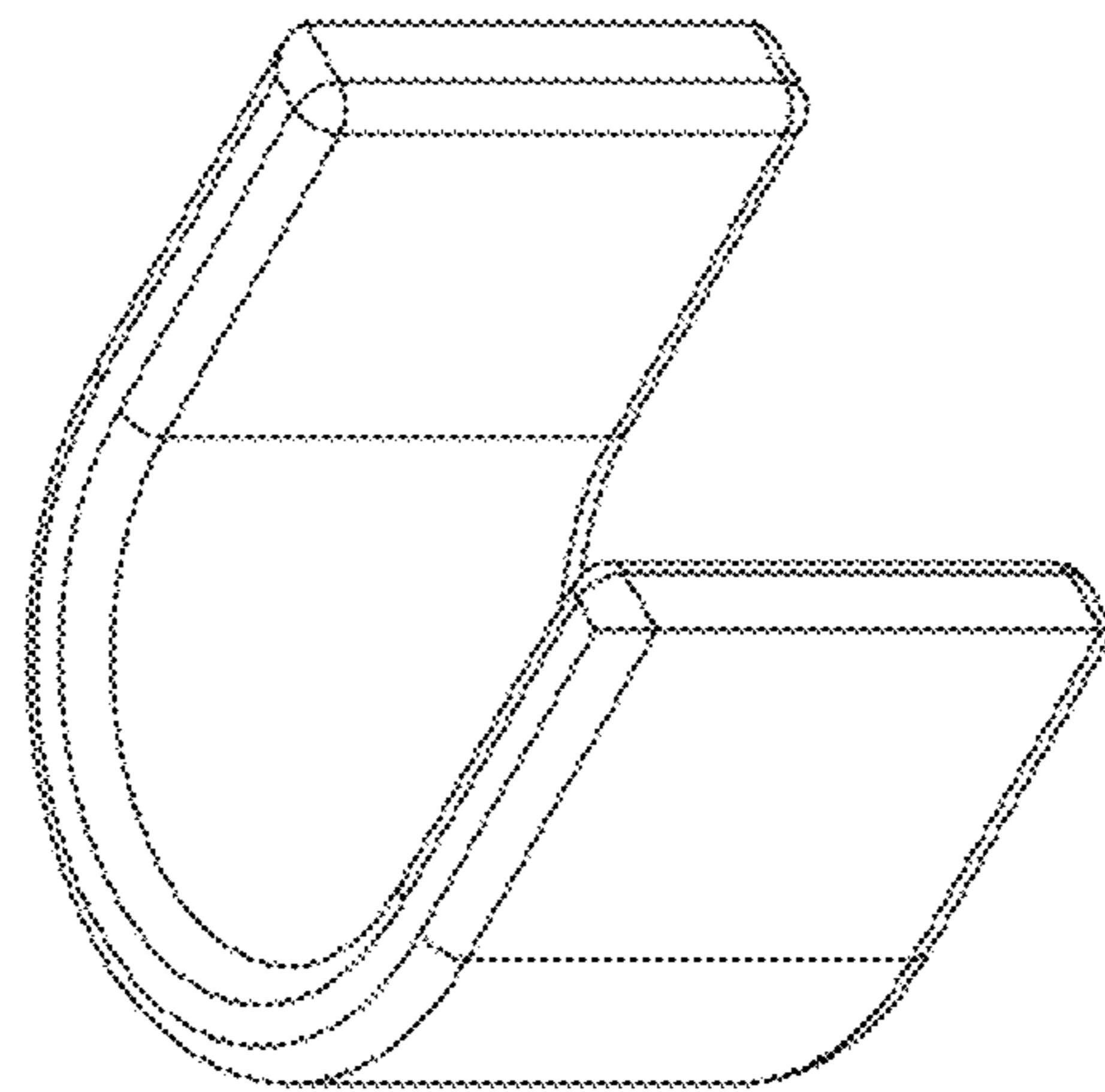


FIGURE 11

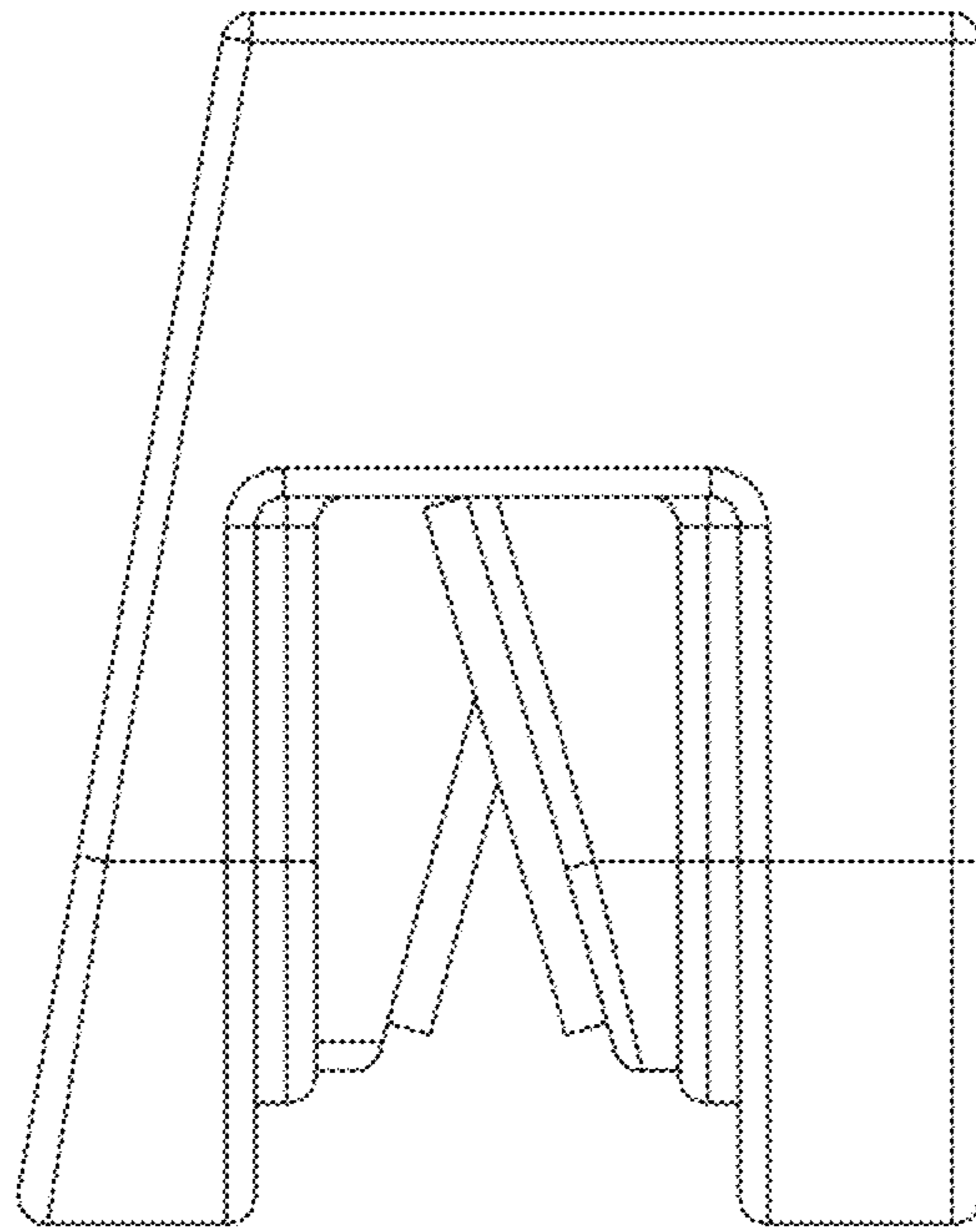


FIGURE 12

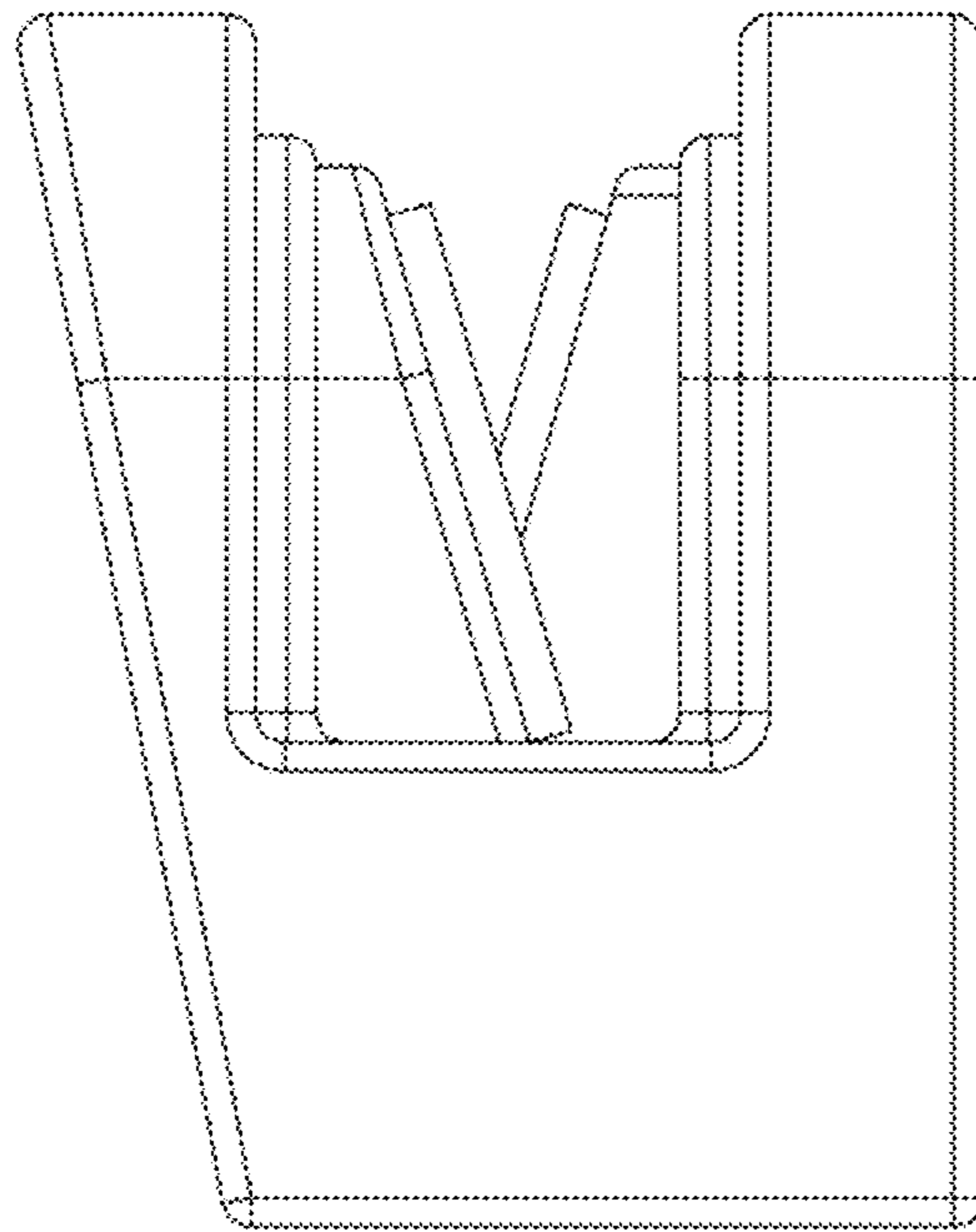


FIGURE 13

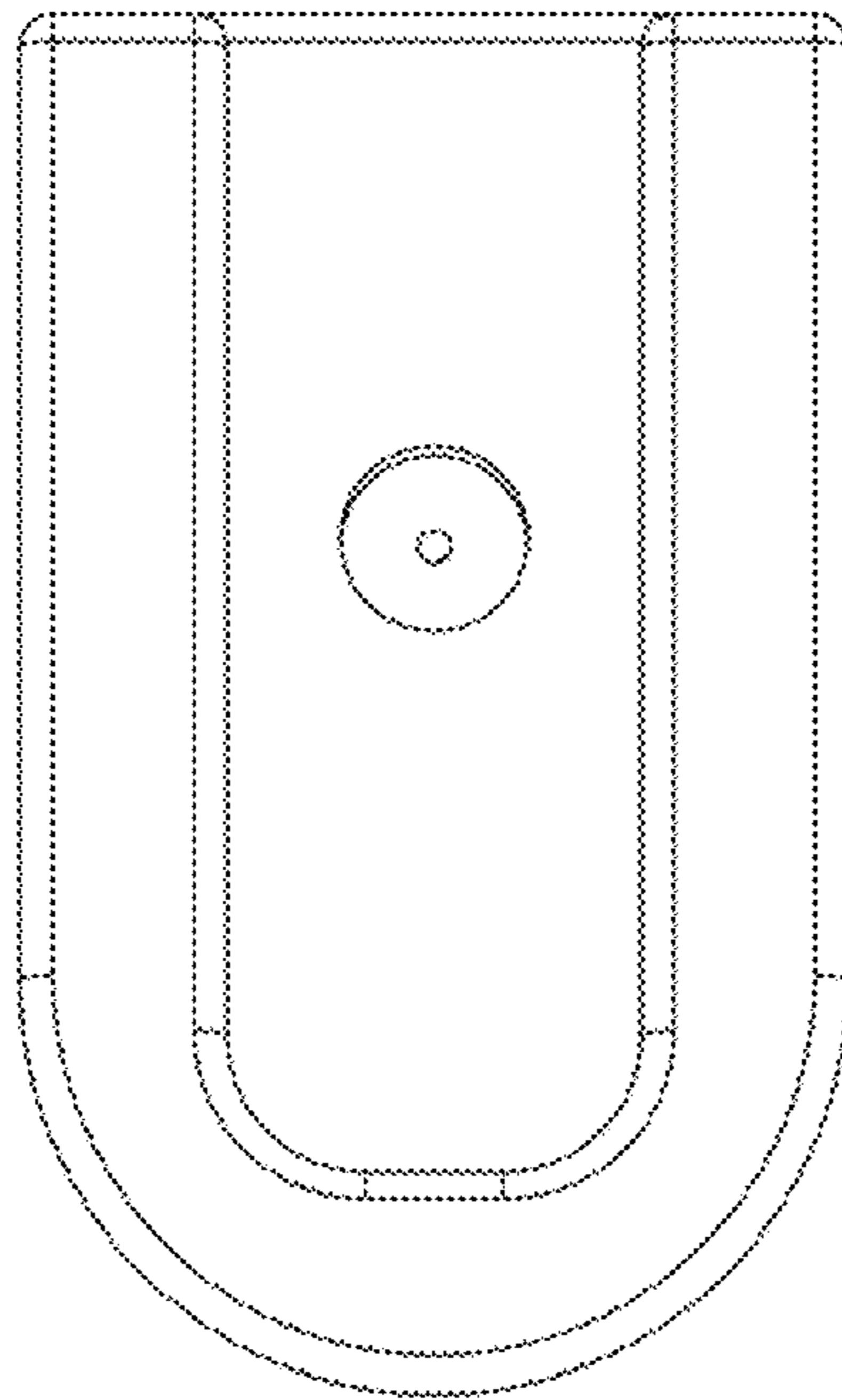


FIGURE 14

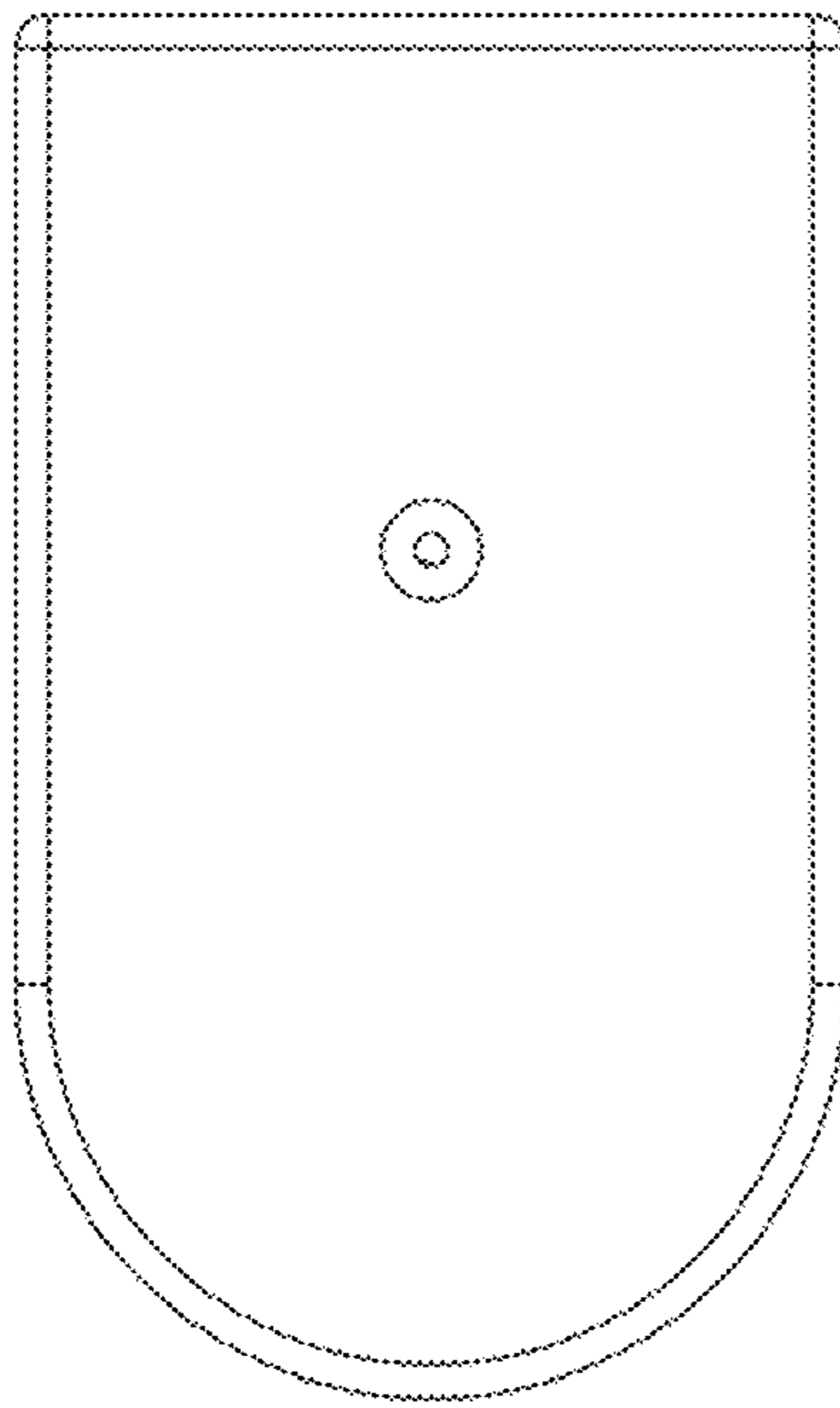


FIGURE 15

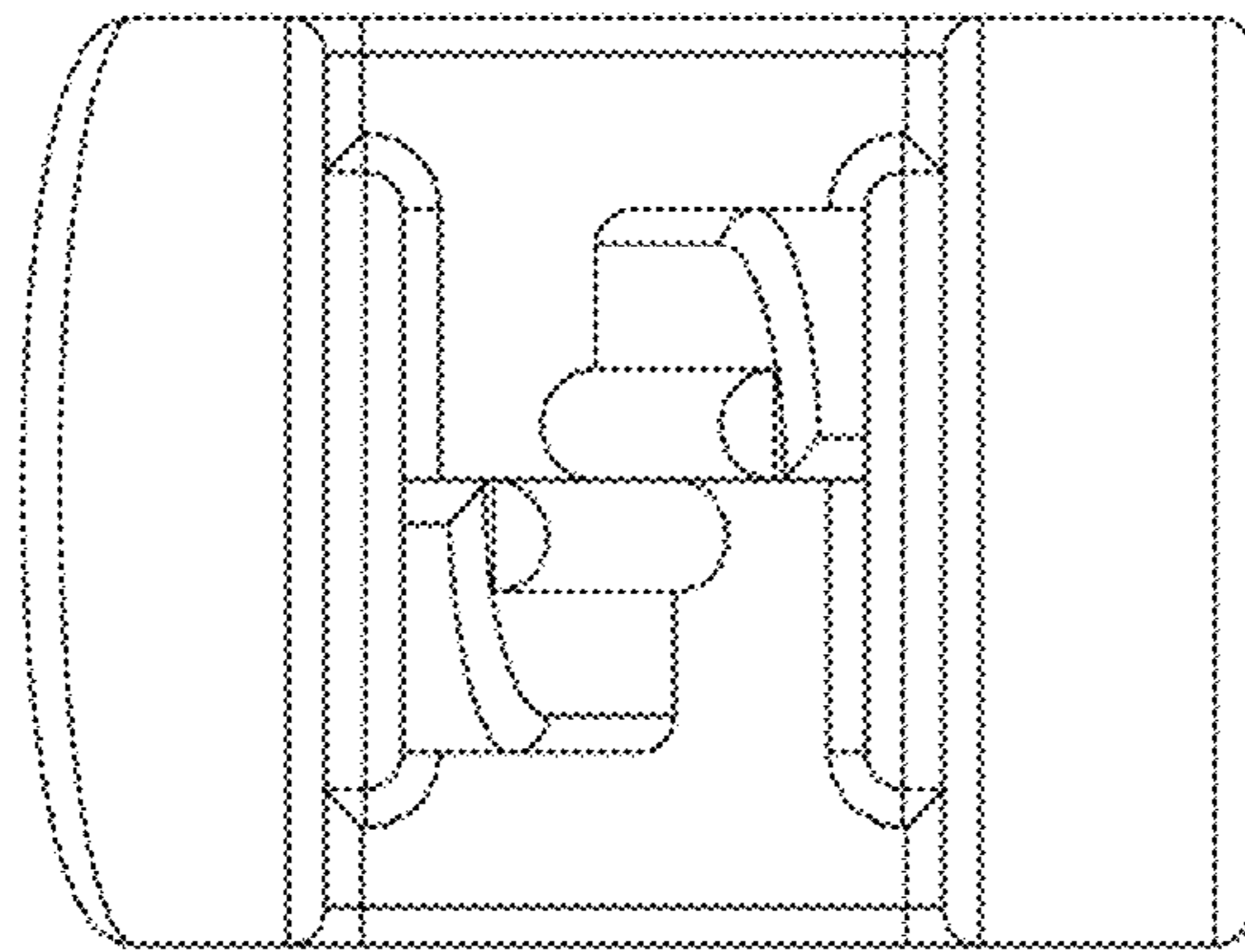


FIGURE 16

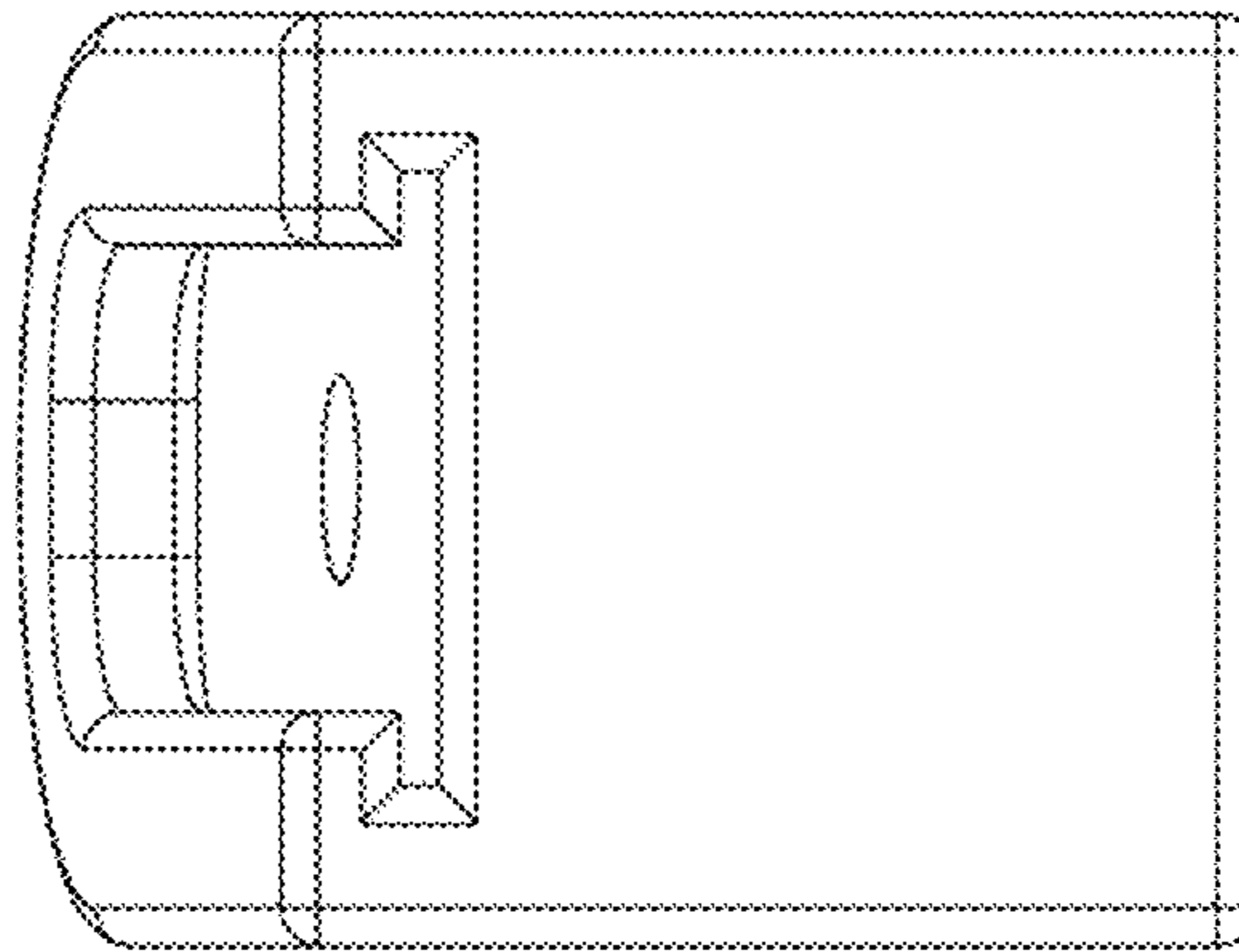


FIGURE 17

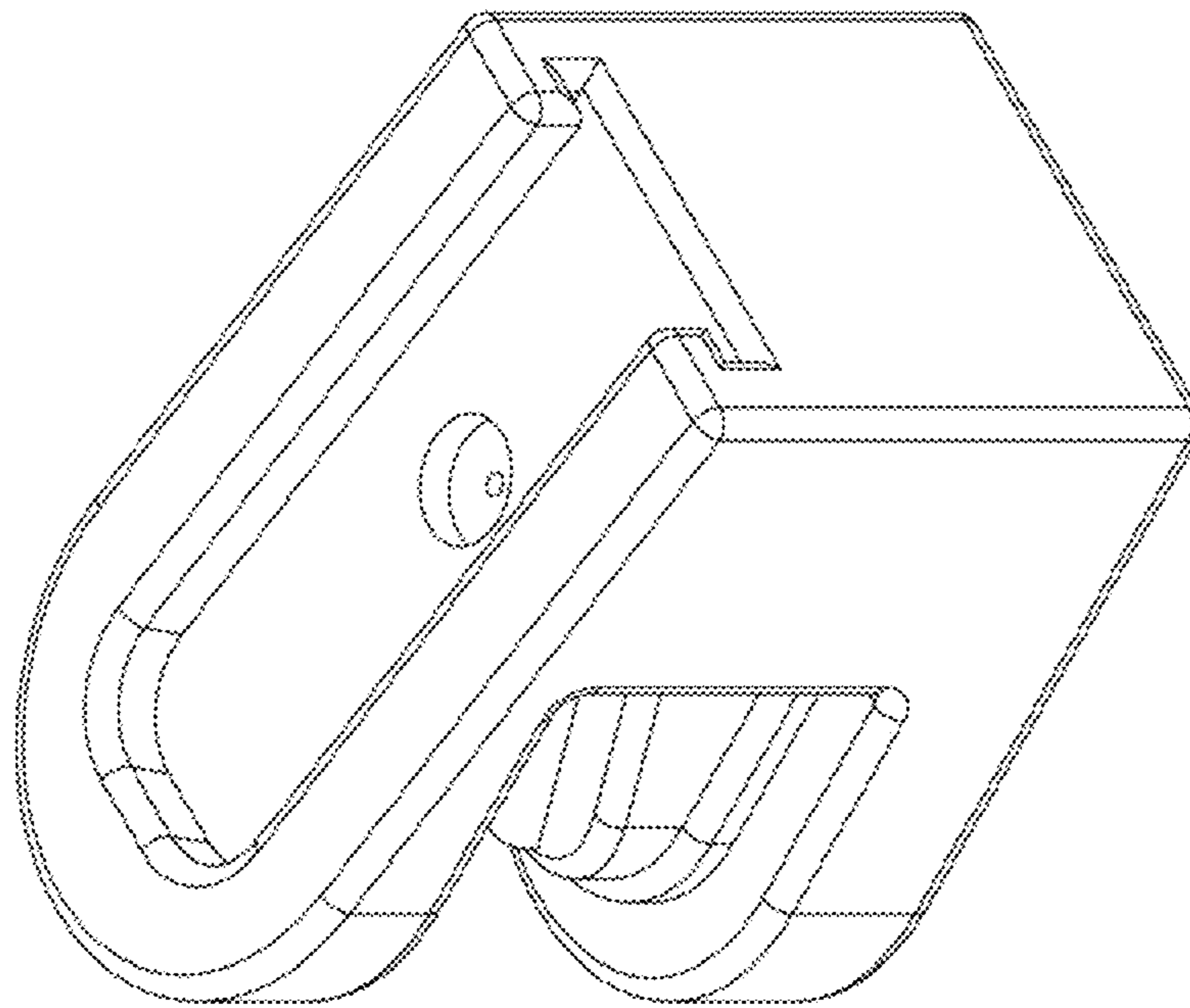


FIGURE 18

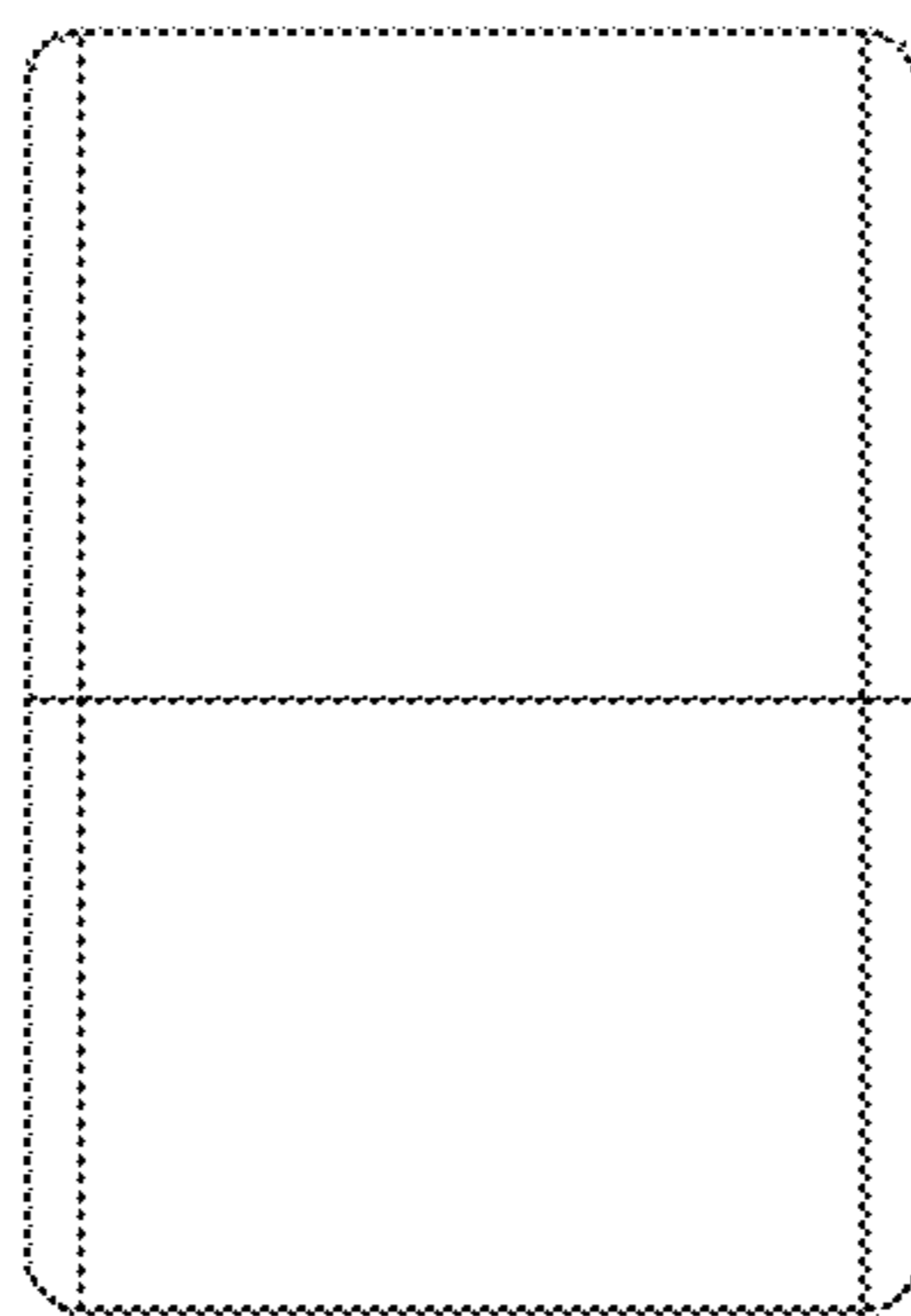
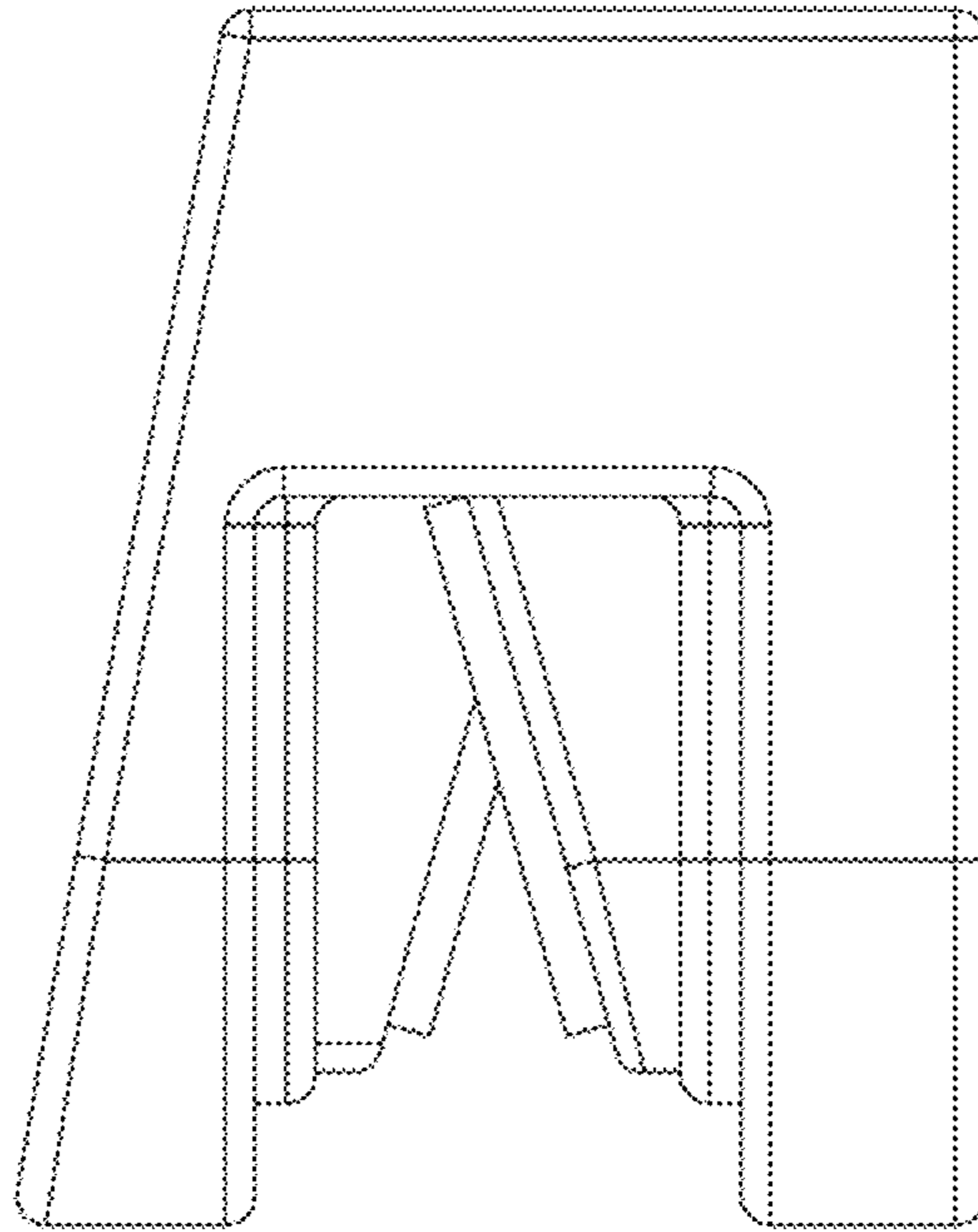


FIGURE 19

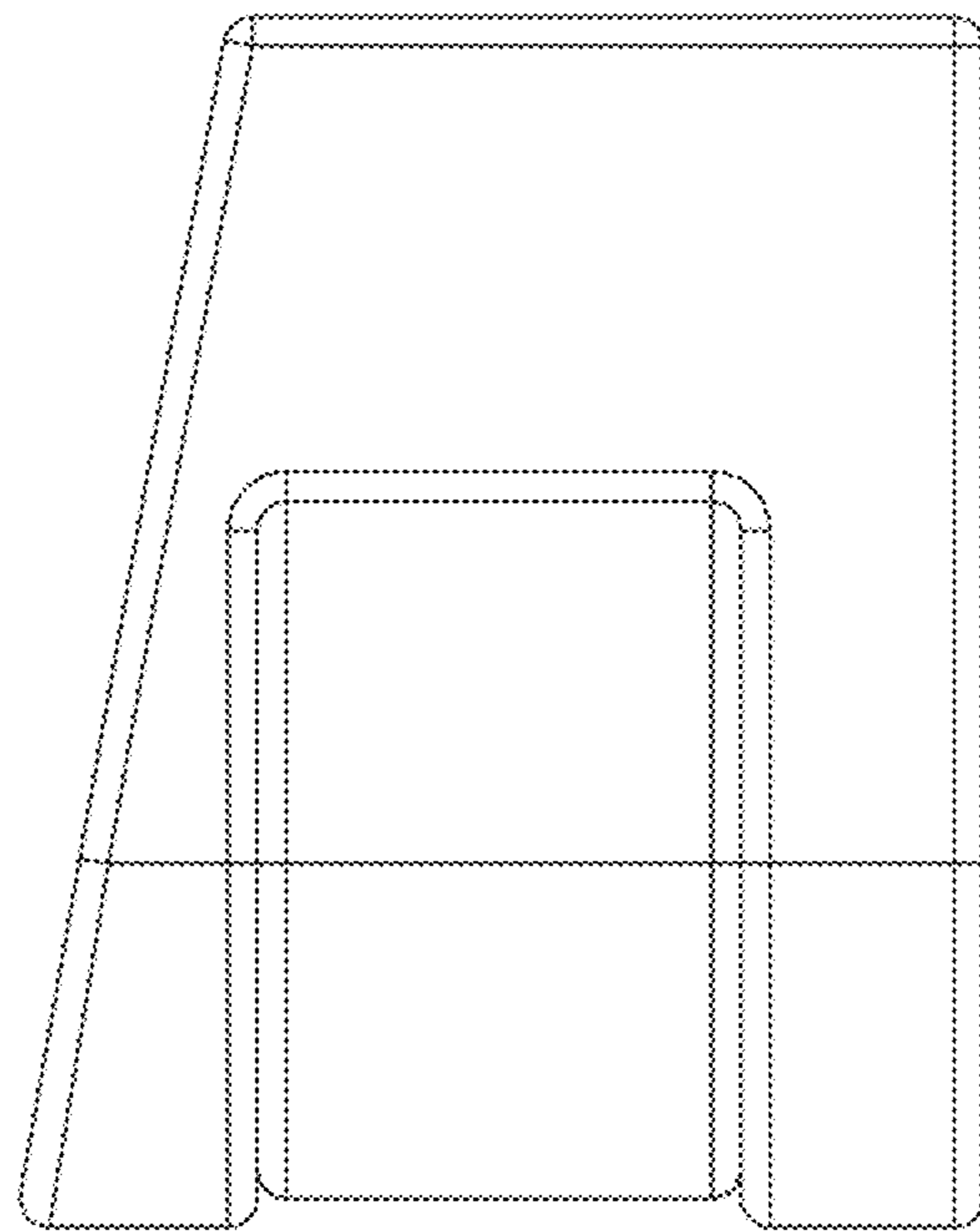


FIGURE 20

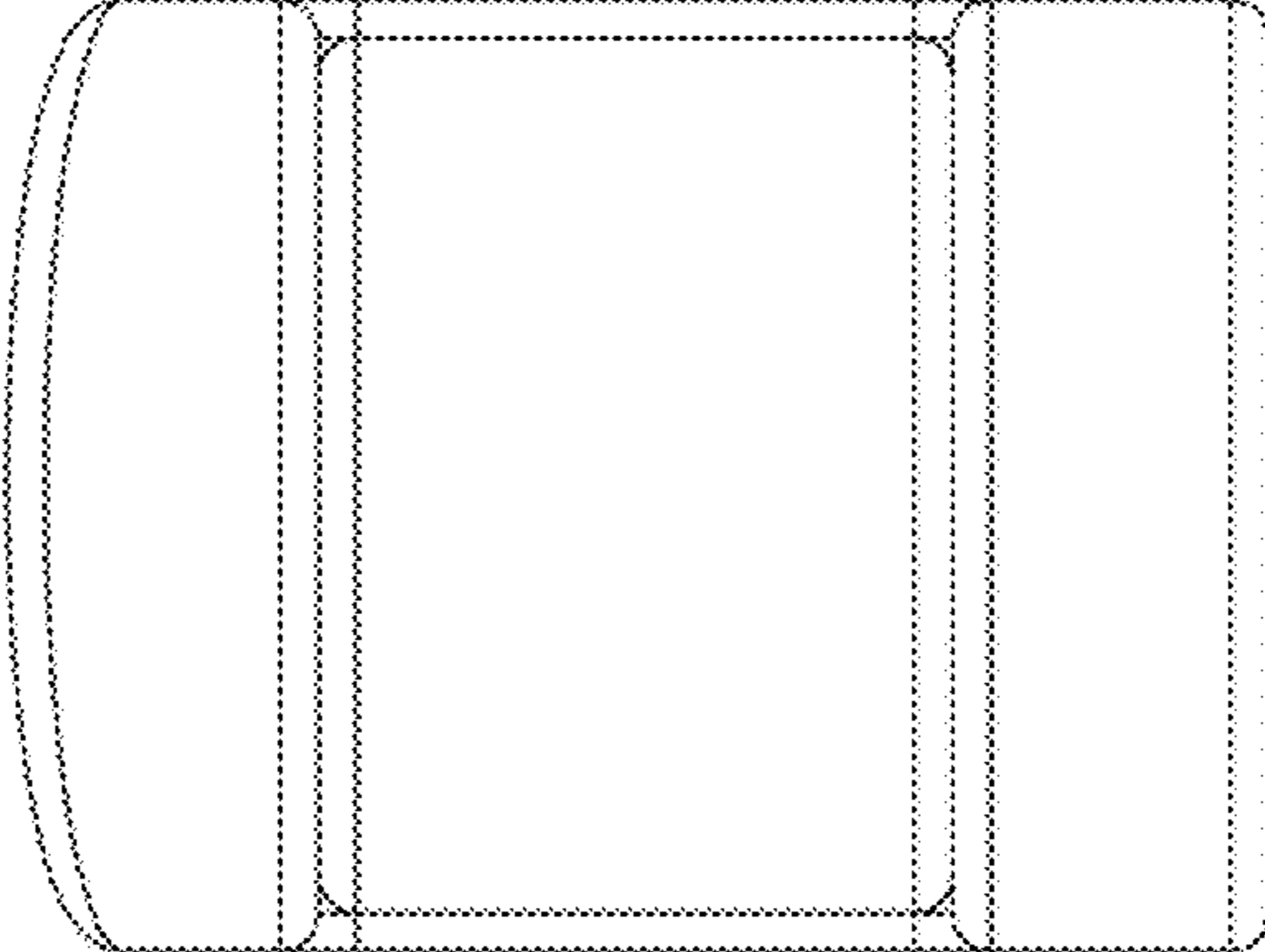


FIGURE 21

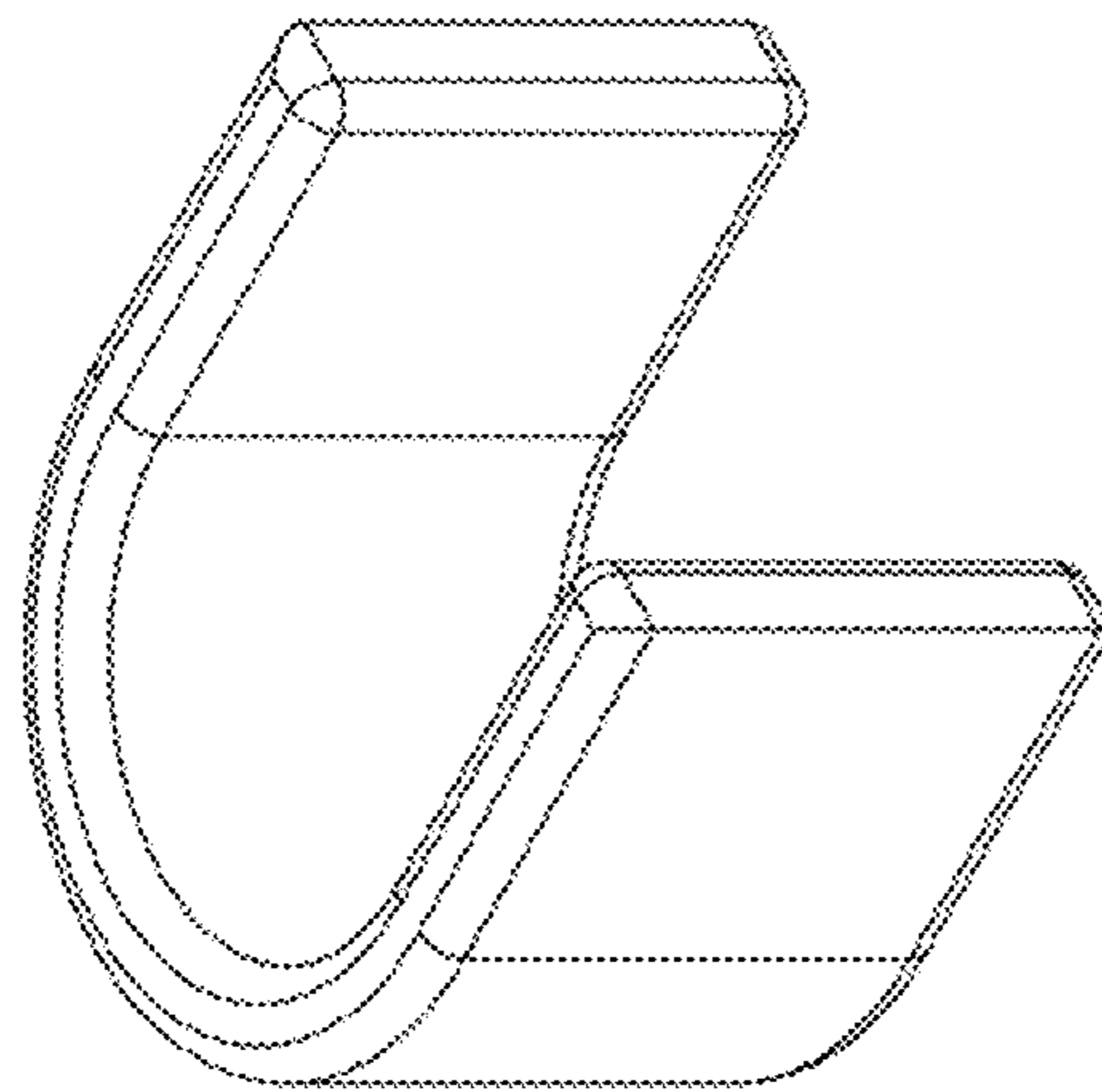


FIGURE 22