



US00D823974S

(12) **United States Design Patent**
Carson

(10) **Patent No.:** **US D823,974 S**
(45) **Date of Patent:** **** Jul. 24, 2018**

- (54) **ACTION BAR RELEASE**
- (71) Applicant: **Kendall B. Carson**, St. George, UT
(US)
- (72) Inventor: **Kendall B. Carson**, St. George, UT
(US)
- (**) Term: **15 Years**

D748,699 S * 2/2016 Moherman B23B 5/161
D15/138
D784,478 S * 4/2017 Therrell D22/108
D789,595 S * 6/2017 Stanley D26/138
D801,618 S * 10/2017 Weber D34/35
D811,037 S * 2/2018 Weber D34/35
D814,595 S * 4/2018 Saadon D22/108

- (21) Appl. No.: **29/577,407**
- (22) Filed: **Sep. 13, 2016**
- (51) **LOC (11) Cl.** **22-01**
- (52) **U.S. Cl.**
USPC **D22/108**
- (58) **Field of Classification Search**
USPC D8/24, 29.1, 30, 316; D13/123, 133;
D14/349; D15/122-126, 134, 142, 143,
D15/144, 144.1, 144.2, 147-149, 199;
D22/103, 104, 108, 109-111, 117, 199
CPC F41A 3/38; F41A 3/40; F41A 3/42
See application file for complete search history.

OTHER PUBLICATIONS

Action Bar Release, posted on youtube.com, posted Nov. 11, 2016, no production date given, [online], [site visited Apr. 14, 2018], Available from Internet, URL: https://www.youtube.com/watch?v=7W_Gcc2Aqfw (Year: 2016).*

Tank's Wide Action Release. Product Listing [online]. Tank's Rifle Shop, 2016 [retrieved on Jul. 7, 2016]. Retrieved from the Internet: <http://www.tanksrifleshop.com/shop/index.php?app=ecom&ns=prodshow&ref=widerelease>.

* cited by examiner

Primary Examiner — Melanie H Tung
Assistant Examiner — Fritzgerald L Butac
(74) *Attorney, Agent, or Firm* — Cramer Patent & Design, PLLC; Aaron R. Cramer

(56) **References Cited**

U.S. PATENT DOCUMENTS

D908,883	1/1909	Pedersen	
2,719,375 A	10/1955	Crittendon et al.	
3,611,608 A	10/1971	Seiberling	
D285,045 S *	8/1986	Mahoney	D8/354
4,964,232 A	10/1990	Mainland et al.	
D565,609 S *	4/2008	Willibald	D15/139
7,661,220 B2	2/2010	Crandall et al.	
D619,672 S *	7/2010	Schneider	D22/108
D620,996 S *	8/2010	DiGiuseppe	D22/108
D622,992 S *	9/2010	Dodd	D6/552
D644,710 S *	9/2011	Lin	D22/143
D648,027 S *	11/2011	Vancelette	D24/155
8,359,966 B1	1/2013	Brotherton	
D748,694 S *	2/2016	Gansler	D15/123

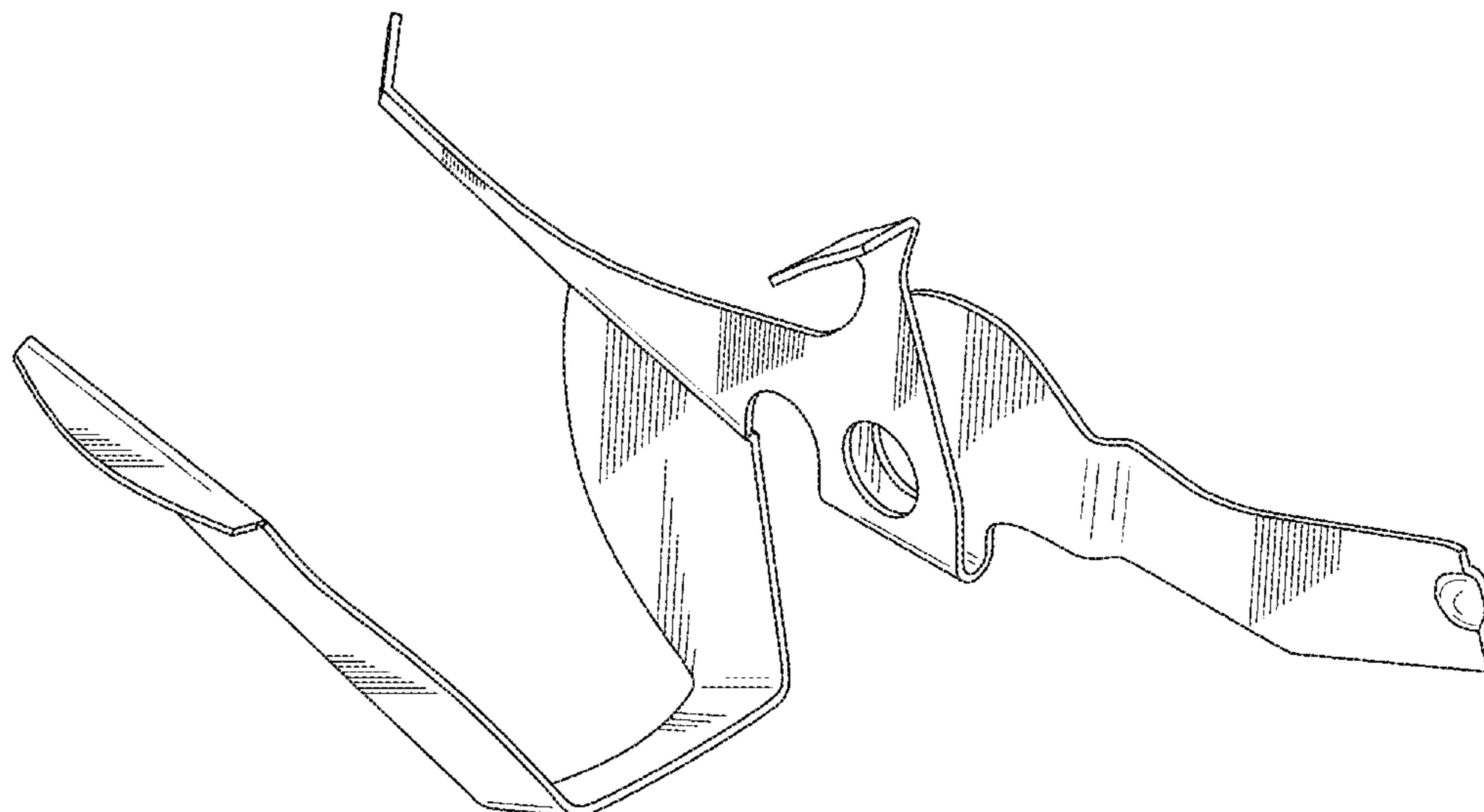
(57) **CLAIM**

The ornamental design for an action bar release, as shown and described.

DESCRIPTION

FIG. 1 is a perspective top front view of an action bar release, showing my new design;
FIG. 2 is a perspective top rear view thereof;
FIG. 3 is a right side elevation view thereof;
FIG. 4 is a left side elevation view thereof;
FIG. 5 is a front side elevation view thereof;
FIG. 6 is a rear side elevation view thereof;
FIG. 7 is a top side plan view thereof; and,
FIG. 8 is a bottom side plan view thereof.

1 Claim, 8 Drawing Sheets



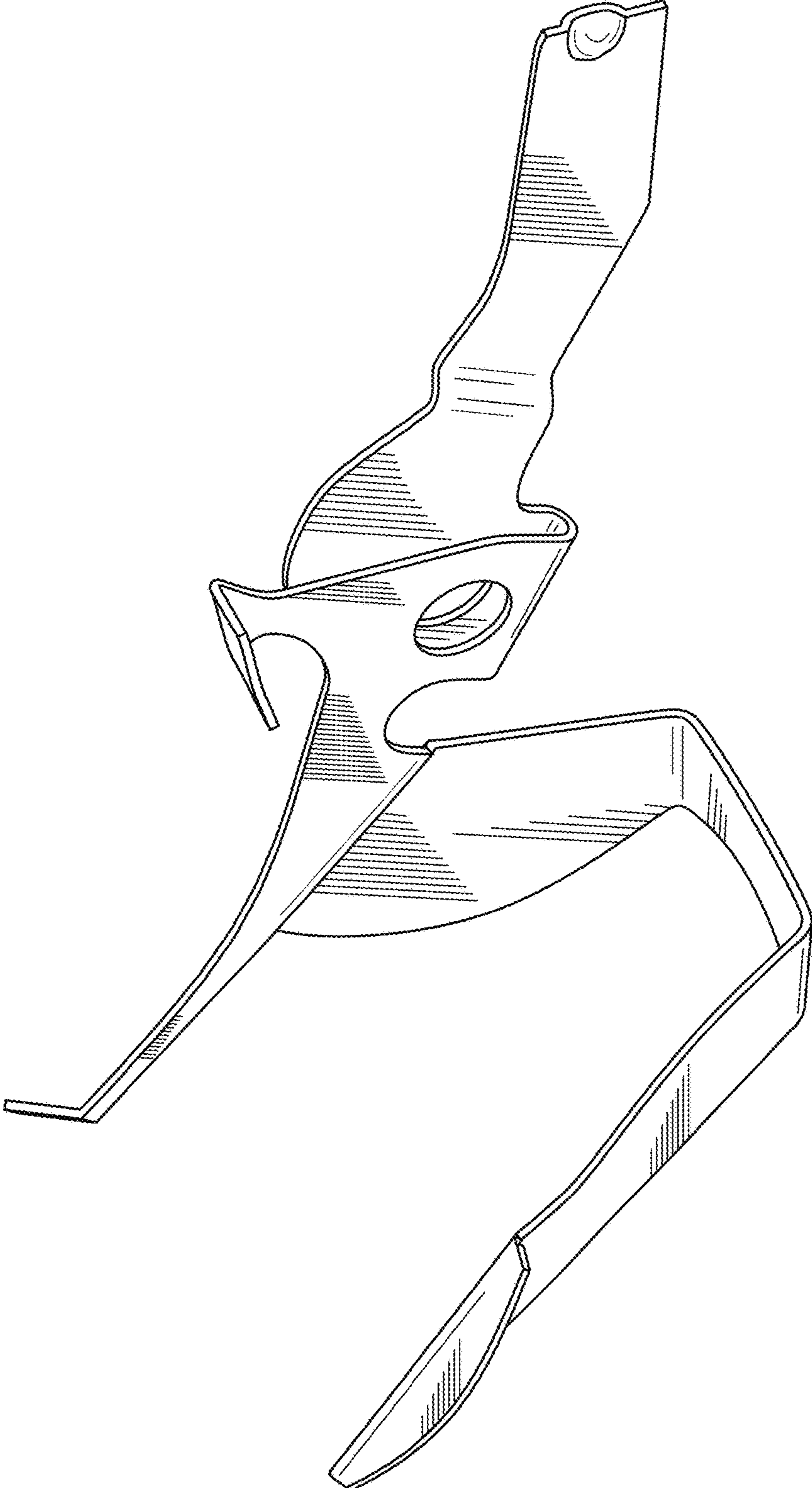


FIG. 1

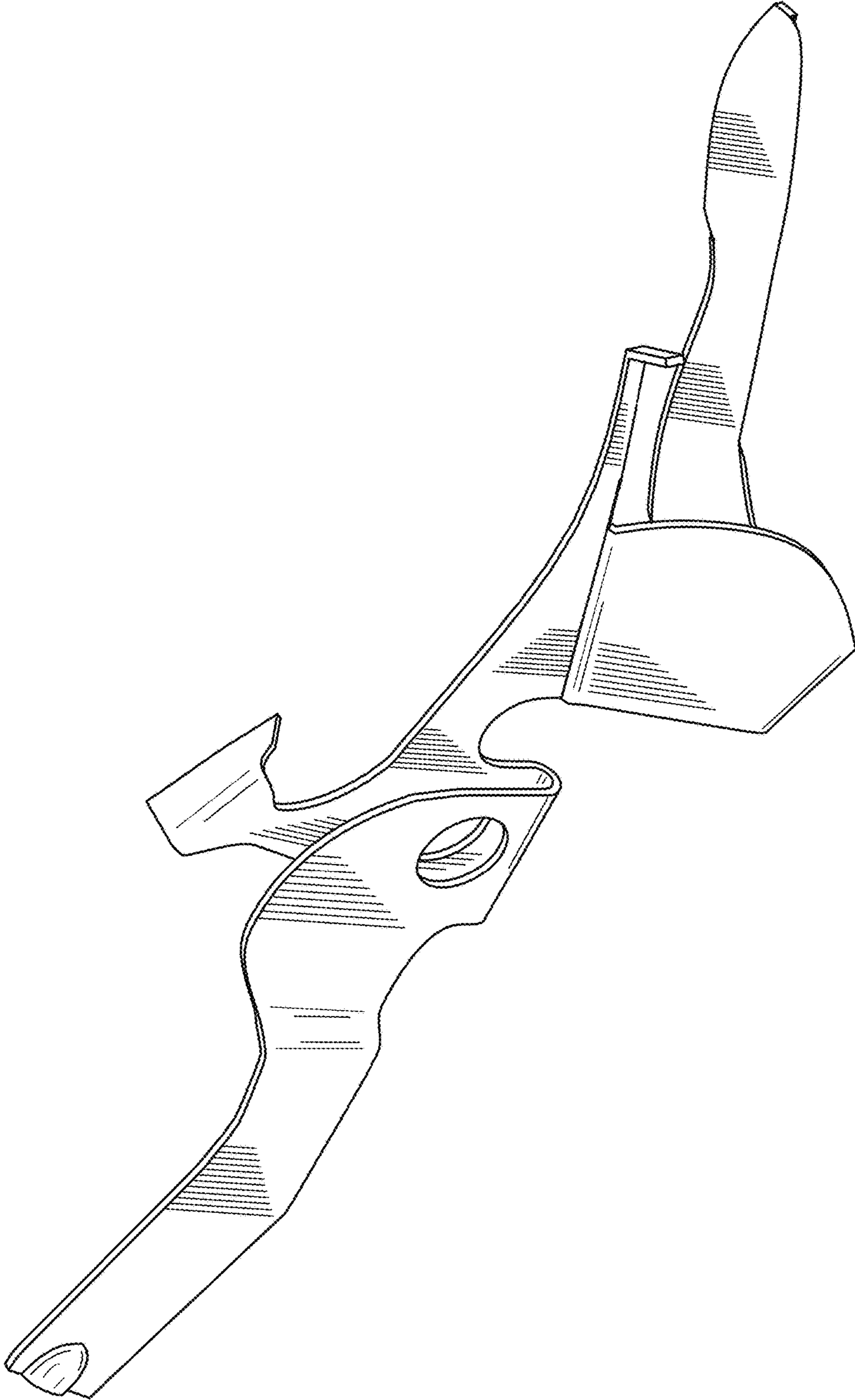


FIG. 2

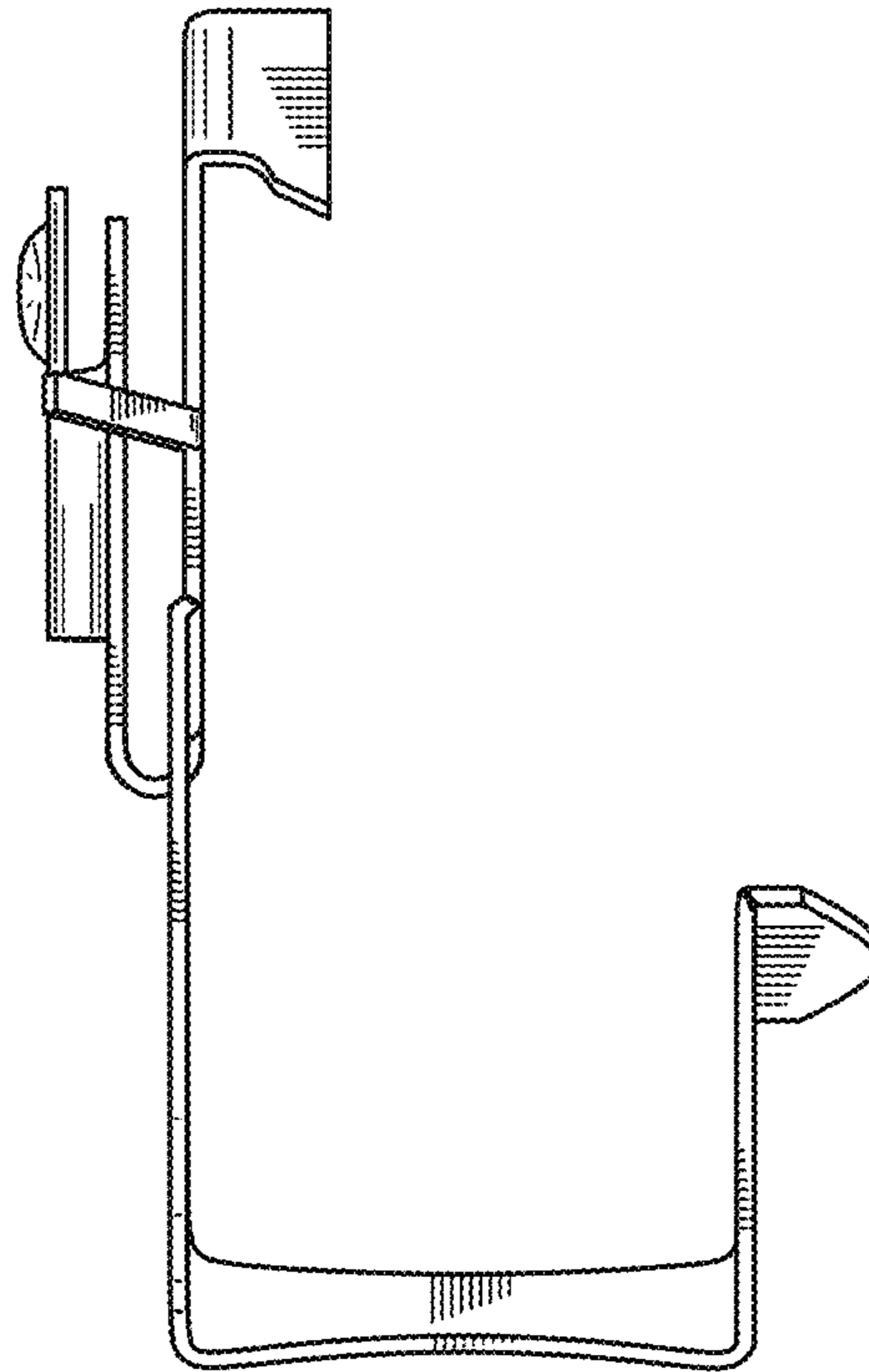


FIG. 3

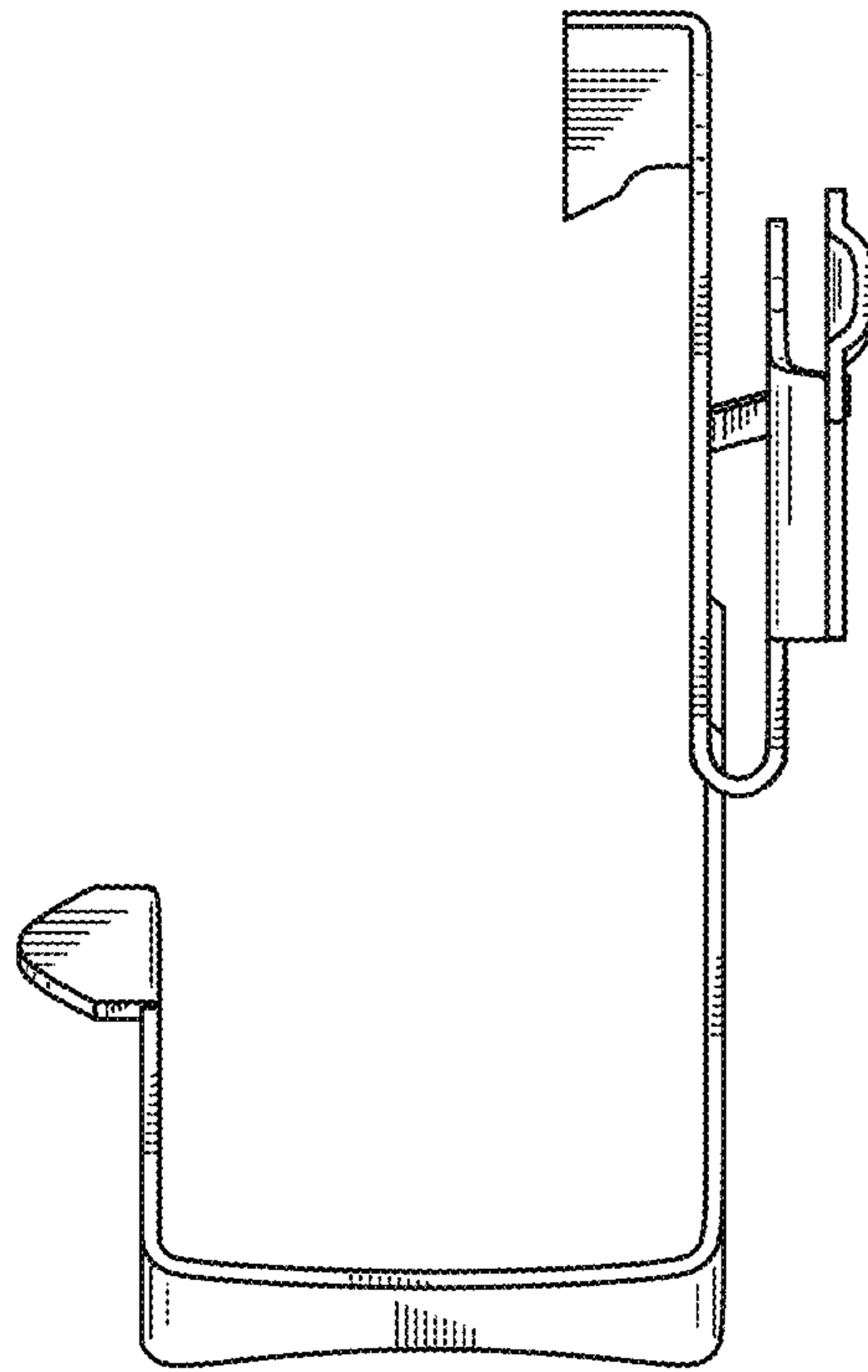


FIG. 4

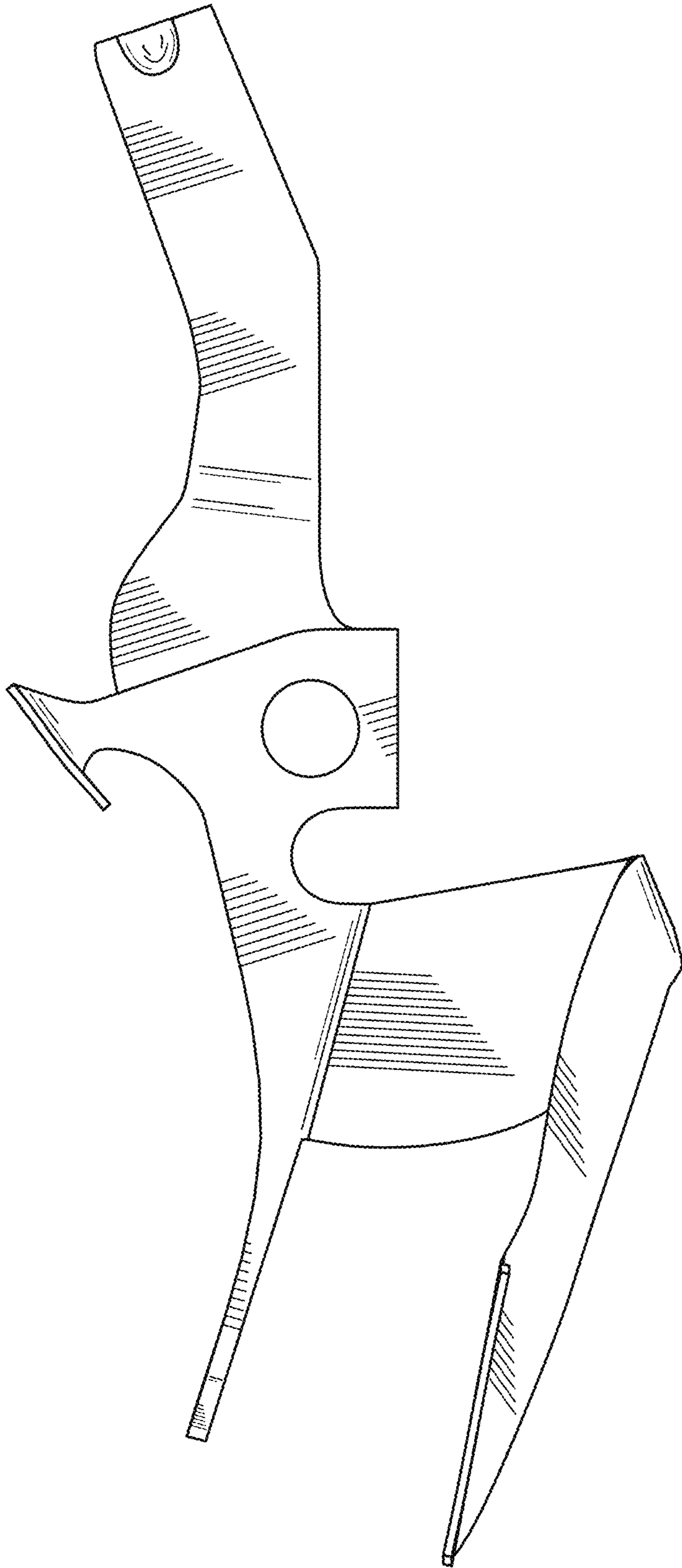


FIG. 5

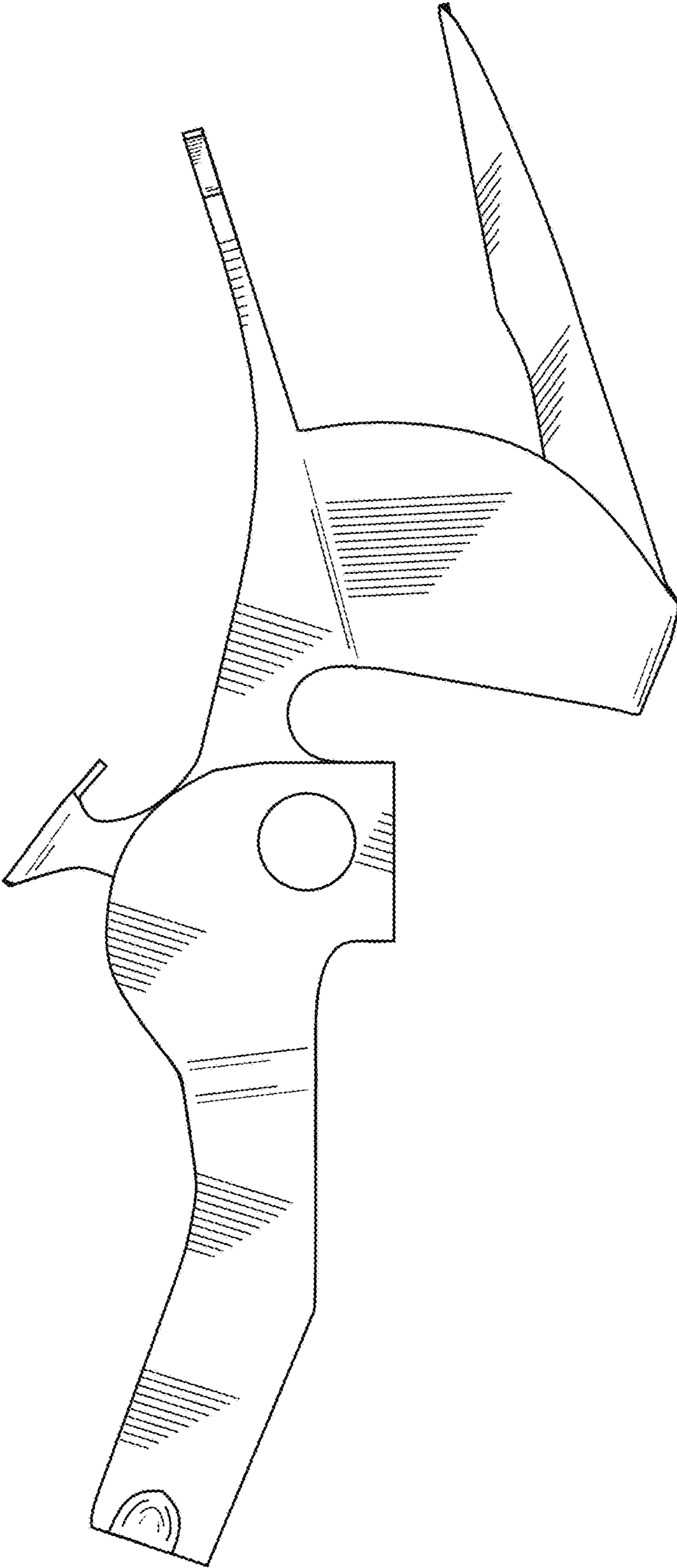


FIG. 6

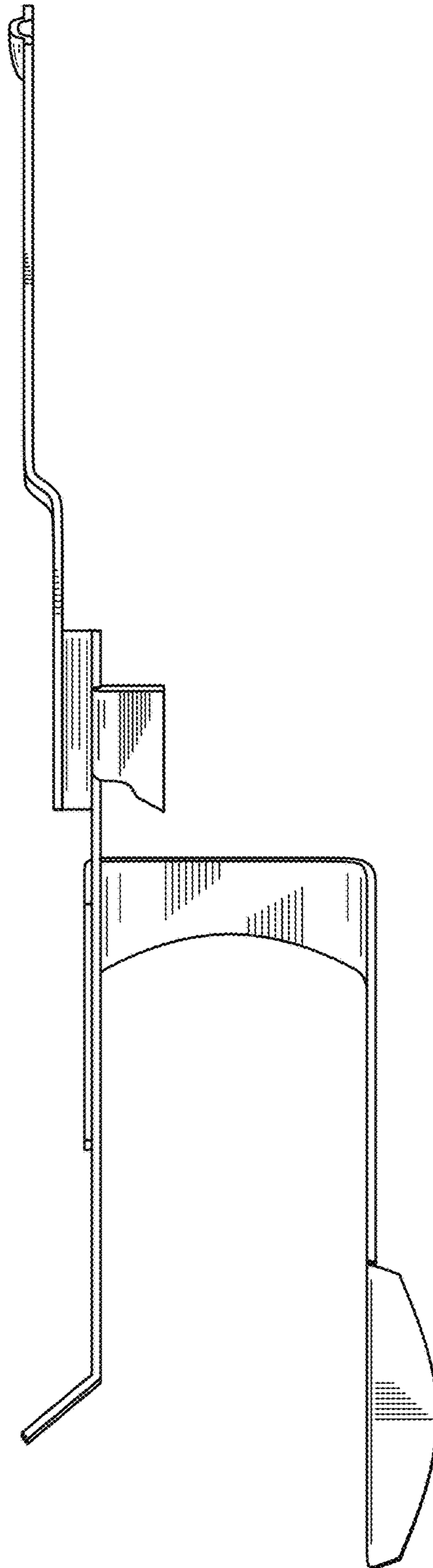


FIG. 7

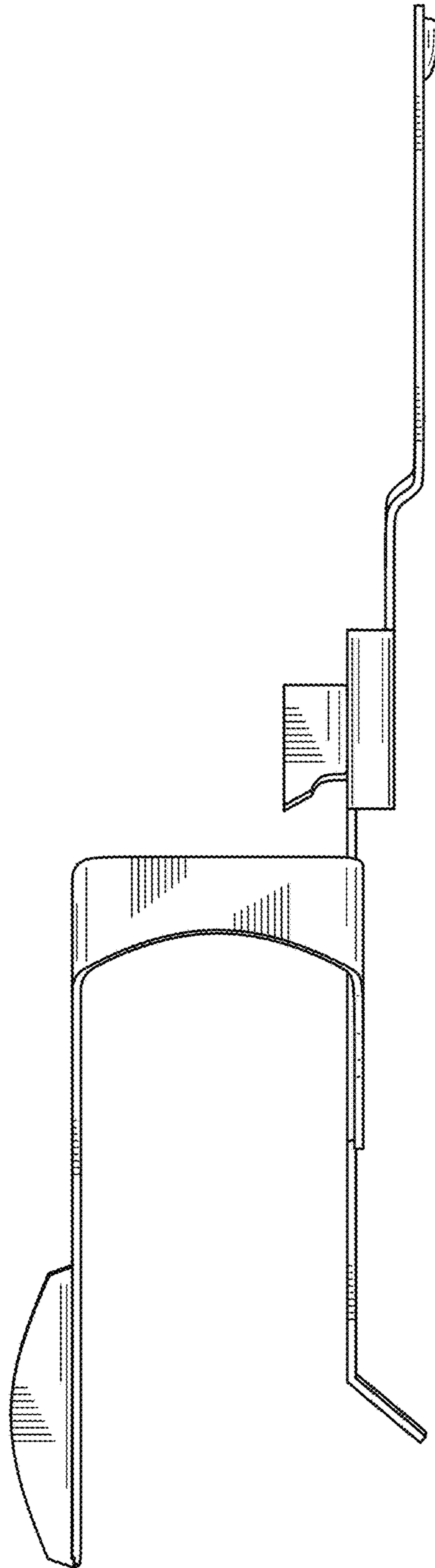


FIG. 8