



US00D823973S

(12) **United States Design Patent**
Schill

(10) **Patent No.:** **US D823,973 S**

(45) **Date of Patent:** **** Jul. 24, 2018**

(54) **FUNNEL FOR THE EJECTION PORT OF A SHOTGUN**

(71) Applicant: **Alexander James Schill**, Rancho Palos Verdes, CA (US)

(72) Inventor: **Alexander James Schill**, Rancho Palos Verdes, CA (US)

(**) Term: **15 Years**

(21) Appl. No.: **29/577,017**

(22) Filed: **Sep. 8, 2016**

(51) **LOC (11) Cl.** **22-01**

(52) **U.S. Cl.**
USPC **D22/108**

(58) **Field of Classification Search**
USPC D22/103, 108
CPC F41C 23/00; F41C 27/00; F41C 27/06;
F41C 23/10; F41C 23/14; F41C 23/16;
F41C 23/18; F41A 5/18; F41A 5/24;
F41A 21/28

See application file for complete search history.

(56) **References Cited**

U.S. PATENT DOCUMENTS

D427,273 S * 6/2000 Plonka D22/100
D694,354 S * 11/2013 Underwood D22/108

D701,280 S * 3/2014 Siddle D22/108
D749,687 S * 2/2016 Warensford D22/108
D755,327 S * 5/2016 Siddle D22/108
D767,075 S * 9/2016 Grossman D22/108
D787,626 S * 5/2017 Johnson D22/108

* cited by examiner

Primary Examiner — Michael A. Pratt

(74) *Attorney, Agent, or Firm* — Plager Schack LLP

(57) **CLAIM**

An ornamental design for a funnel for the ejection port of a shotgun, as shown and described.

DESCRIPTION

FIG. 1 is a front perspective view of the funnel for the ejection port of a shotgun.

FIG. 2 is a top view of the funnel for the ejection port of a shotgun.

FIG. 3 is a bottom view of the funnel for the ejection port of a shotgun.

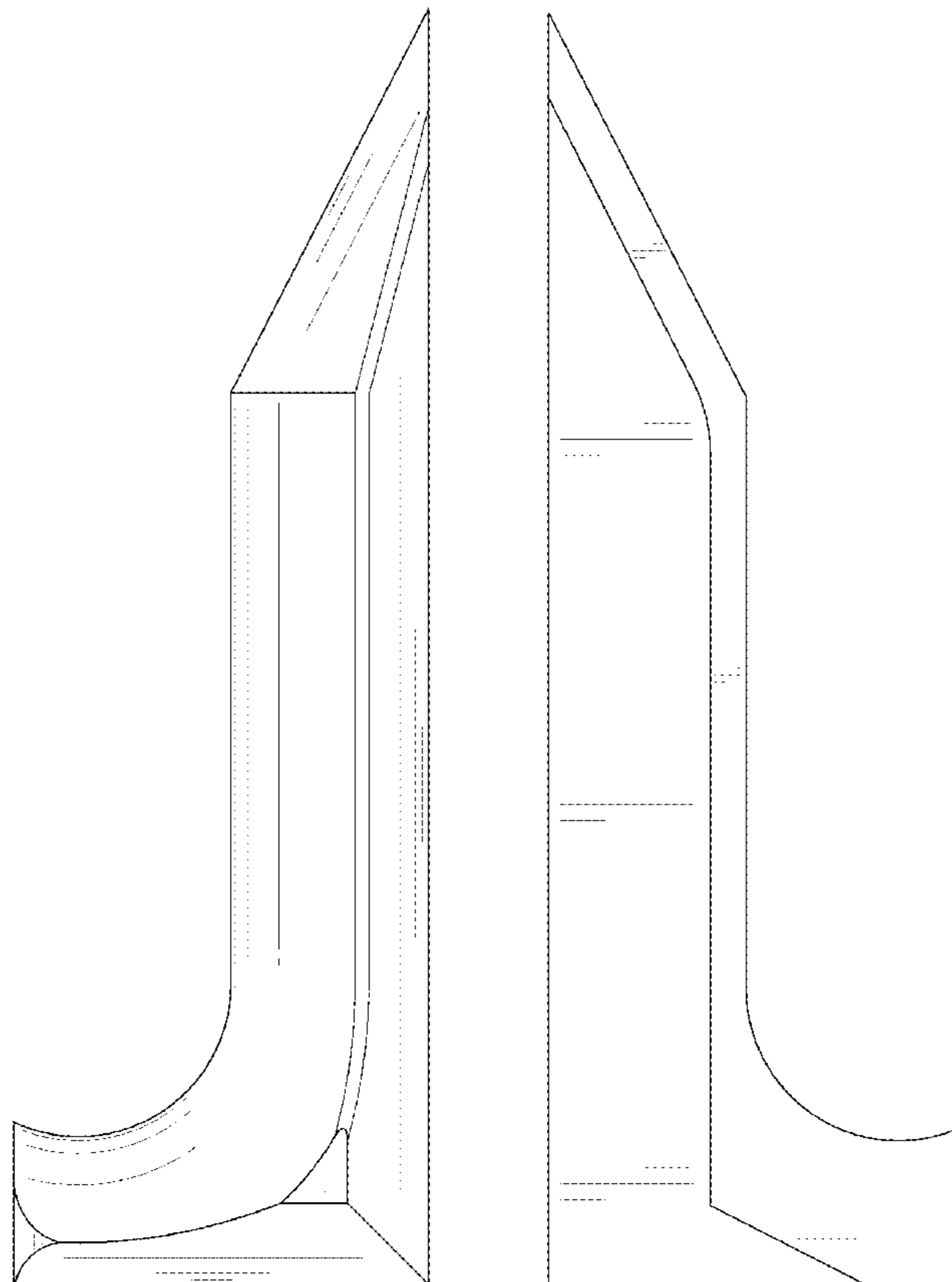
FIG. 4 is a left side view of the funnel for the ejection port of a shotgun.

FIG. 5 is a right side view of the funnel for the ejection port of a shotgun.

FIG. 6 is a front view of the funnel for the ejection port of a shotgun shown with the bottom side up; and,

FIG. 7 is a rear view of the funnel for the ejection port of a shotgun shown with the top side up.

1 Claim, 5 Drawing Sheets



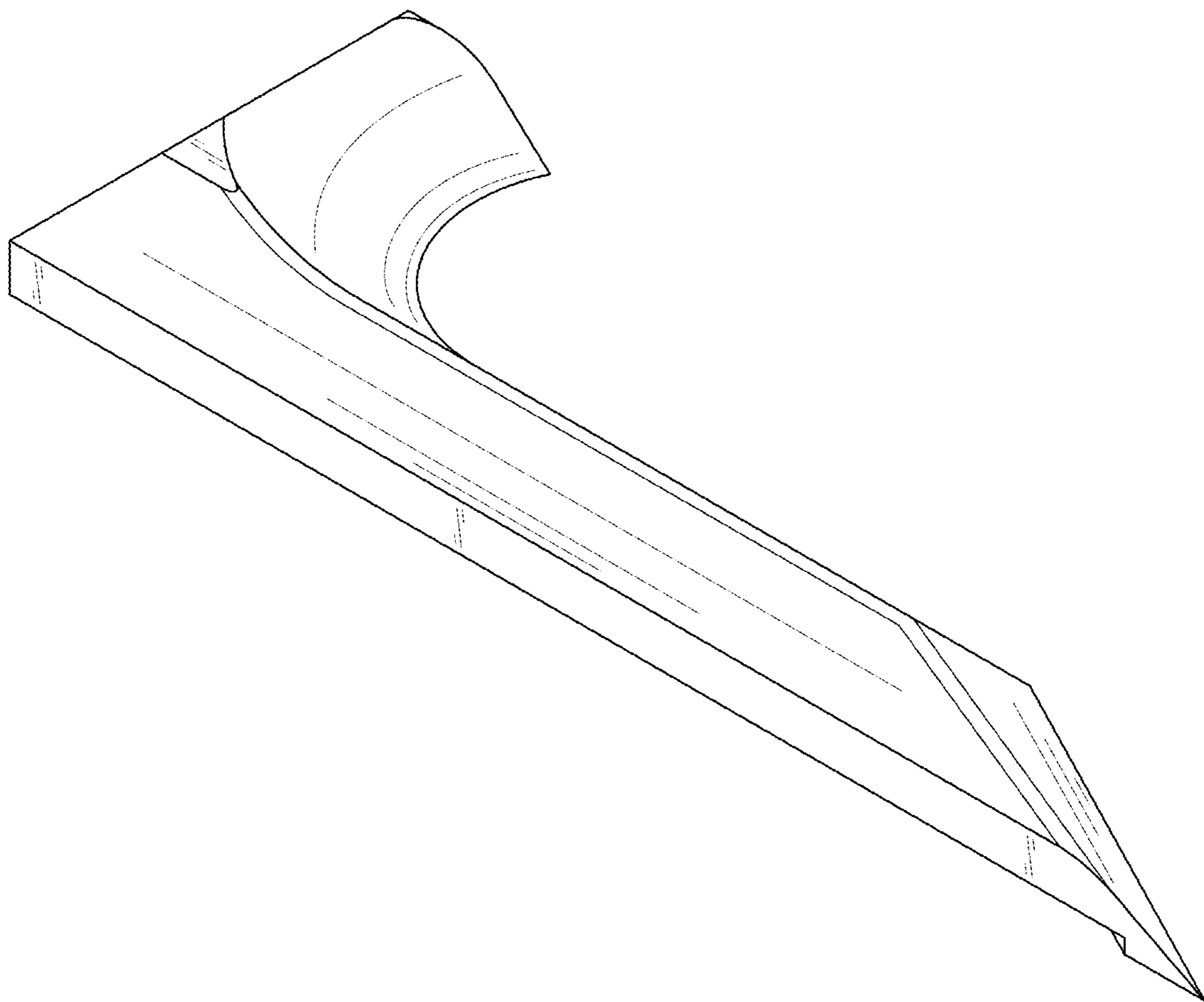


FIG. 1

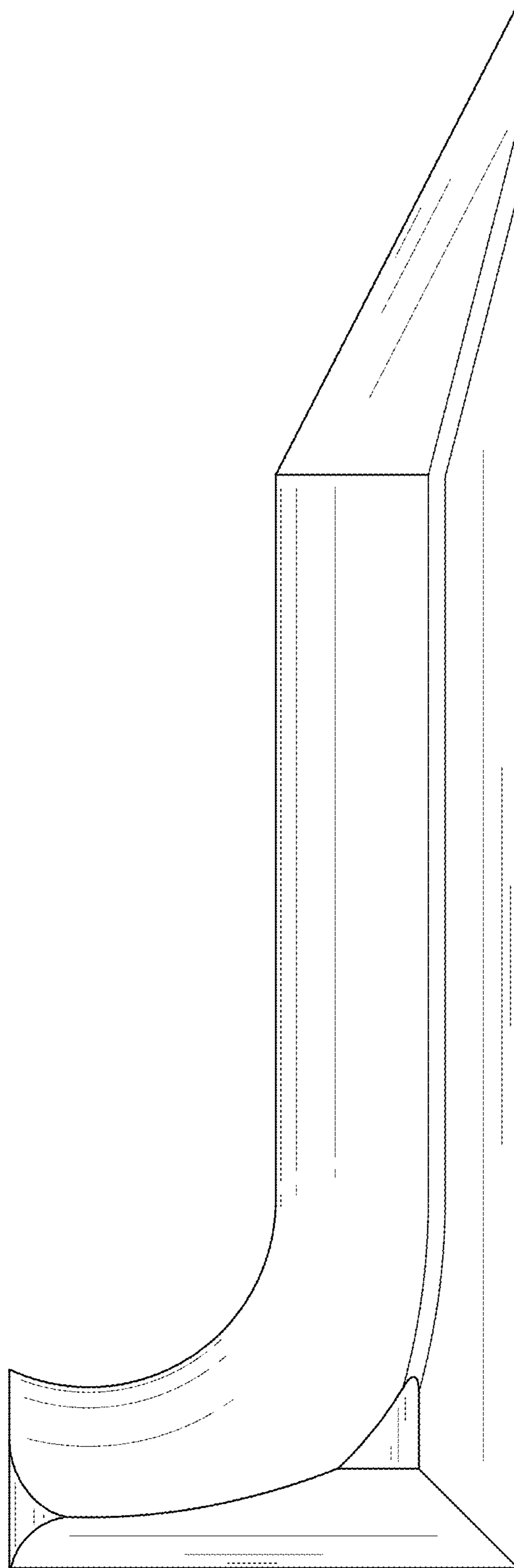


FIG. 2

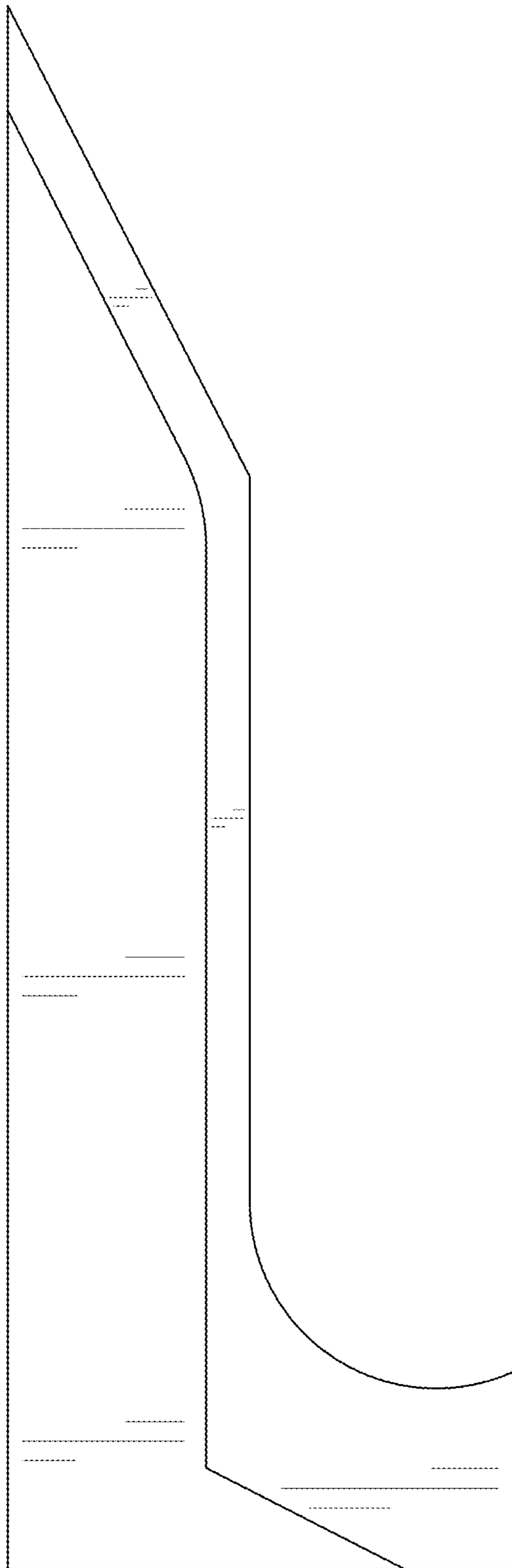


FIG. 3

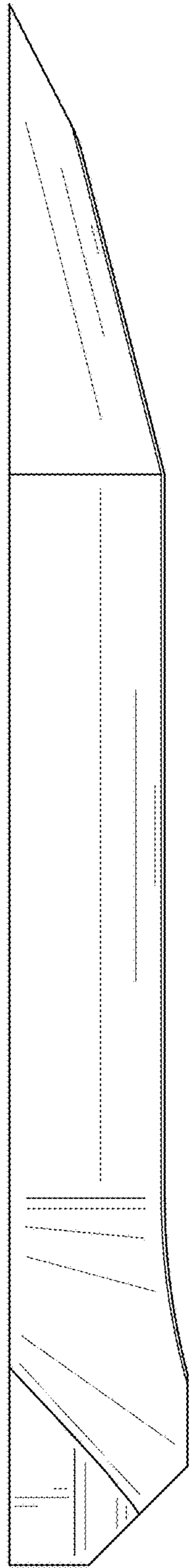


FIG. 4

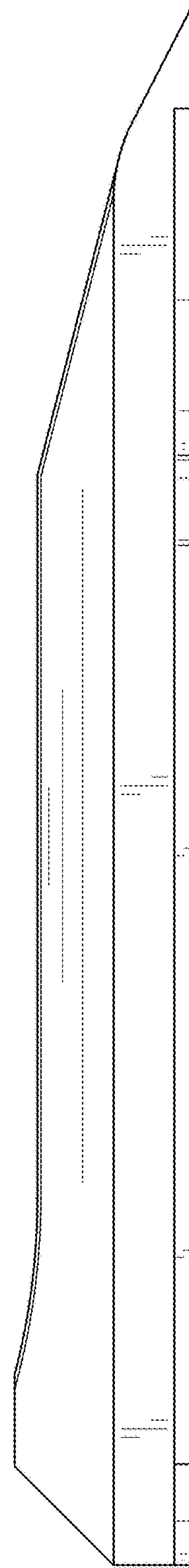


FIG. 5

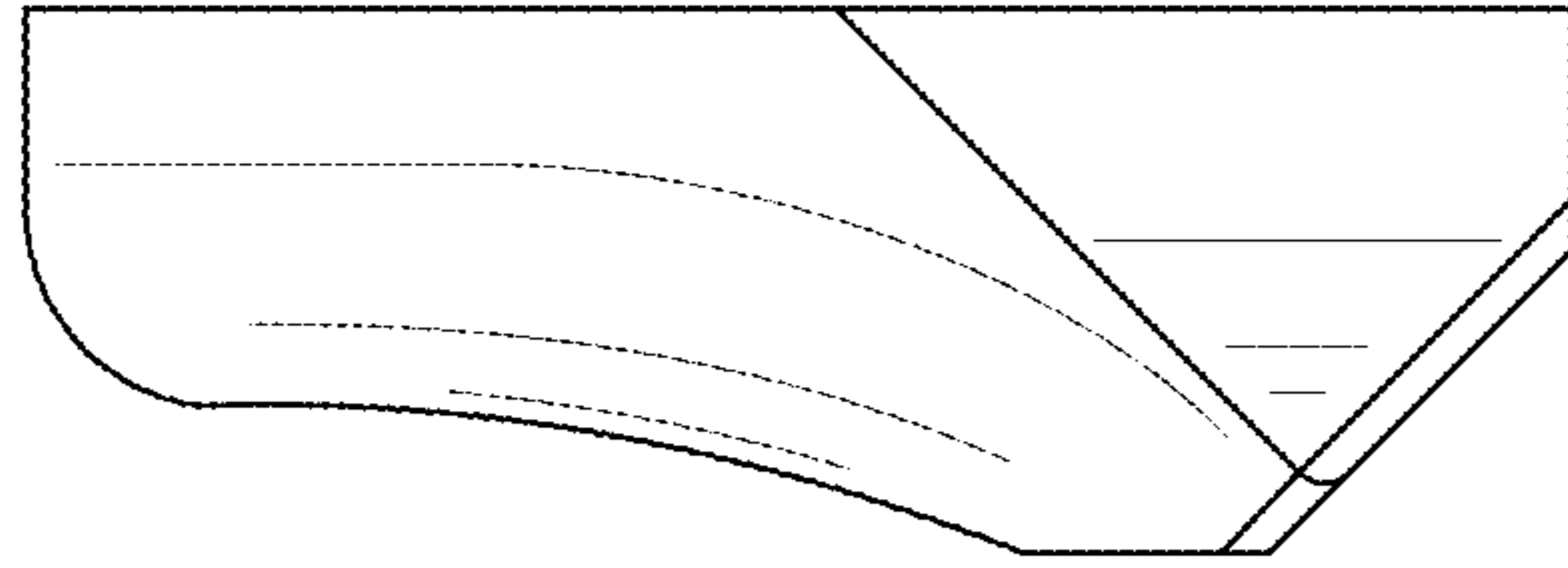


FIG. 6

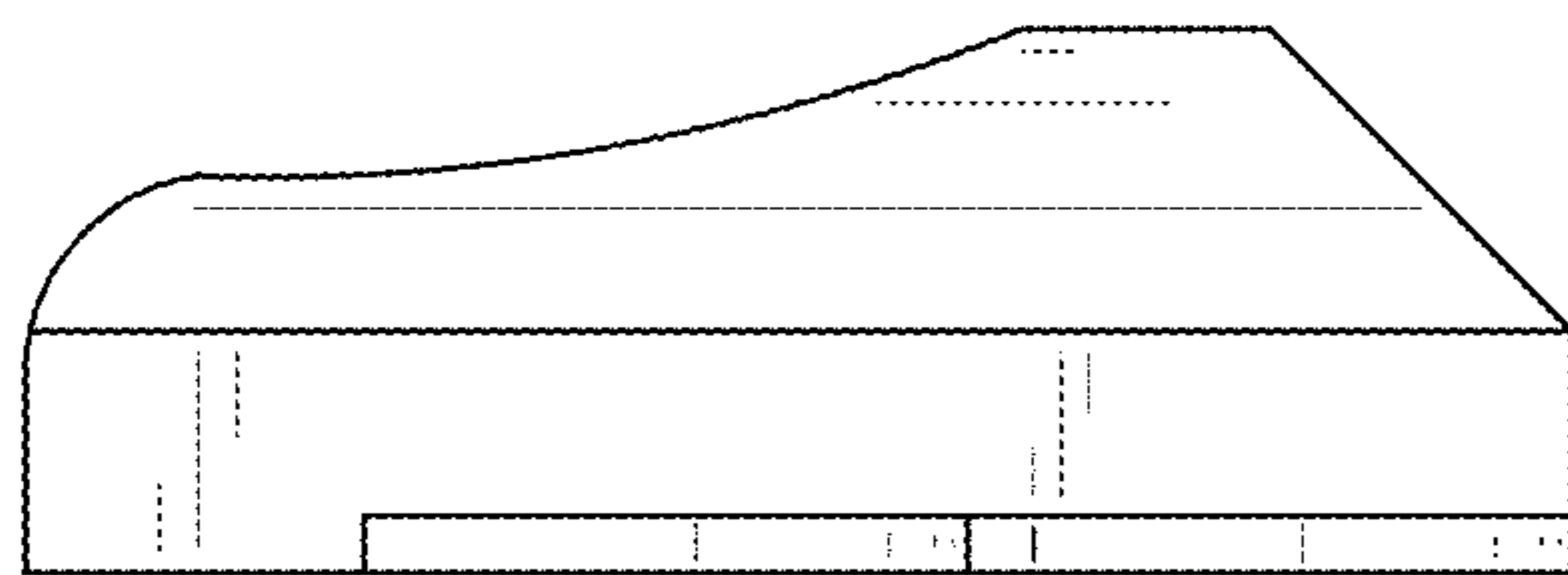


FIG. 7