



US00D823972S

(12) **United States Design Patent**
Barrett

(10) **Patent No.:** **US D823,972 S**
(45) **Date of Patent:** **** Jul. 24, 2018**

(54) **RIFLE BARREL AND STOCK ASSEMBLY**

(71) Applicant: **Sturm, Ruger & Company, Inc.**,
Southport, CT (US)

(72) Inventor: **Jonathan Barrett**, Georges Mills, NH
(US)

(73) Assignee: **STURM, RUGER & COMPANY,
INC.**

(**) Term: **15 Years**

(21) Appl. No.: **29/575,924**

(22) Filed: **Aug. 30, 2016**

(51) **LOC (11) Cl.** **22-01**

(52) **U.S. Cl.**
USPC **D22/108**

(58) **Field of Classification Search**
USPC D22/103, 108
CPC F41C 23/00; F41C 27/00; F41C 27/06;
F41C 23/10; F41C 23/14; F41C 23/16;
F41C 23/18; F41A 5/18; F41A 5/24;
F41A 21/28

See application file for complete search history.

(56) **References Cited**

U.S. PATENT DOCUMENTS

- 8,857,307 B2 * 10/2014 Tresserras Torre F41A 21/02
89/14.05
- 8,950,546 B2 * 2/2015 Shults F41A 21/30
181/223
- 9,097,482 B1 * 8/2015 Holden F41A 21/30
- 9,448,034 B2 * 9/2016 Downey F41C 23/06
- 9,835,400 B2 * 12/2017 Barrett F41A 21/325

- 2012/0152093 A1 * 6/2012 Koumbis F41A 21/30
89/14.4
- 2012/0291614 A1 * 11/2012 Koumbis F41A 21/30
89/14.4
- 2014/0157640 A1 * 6/2014 Whelan F41C 23/16
42/75.02
- 2015/0090105 A1 * 4/2015 Pace F41A 21/30
89/14.4
- 2015/0159971 A1 * 6/2015 Salva F41A 21/02
89/14.4
- 2016/0003570 A1 * 1/2016 Tonkin F41A 21/02
89/14.4
- 2017/0191780 A1 * 7/2017 Barrett F41A 21/30

* cited by examiner

Primary Examiner — Michael A. Pratt

(74) *Attorney, Agent, or Firm* — The Belles Group, P.C.

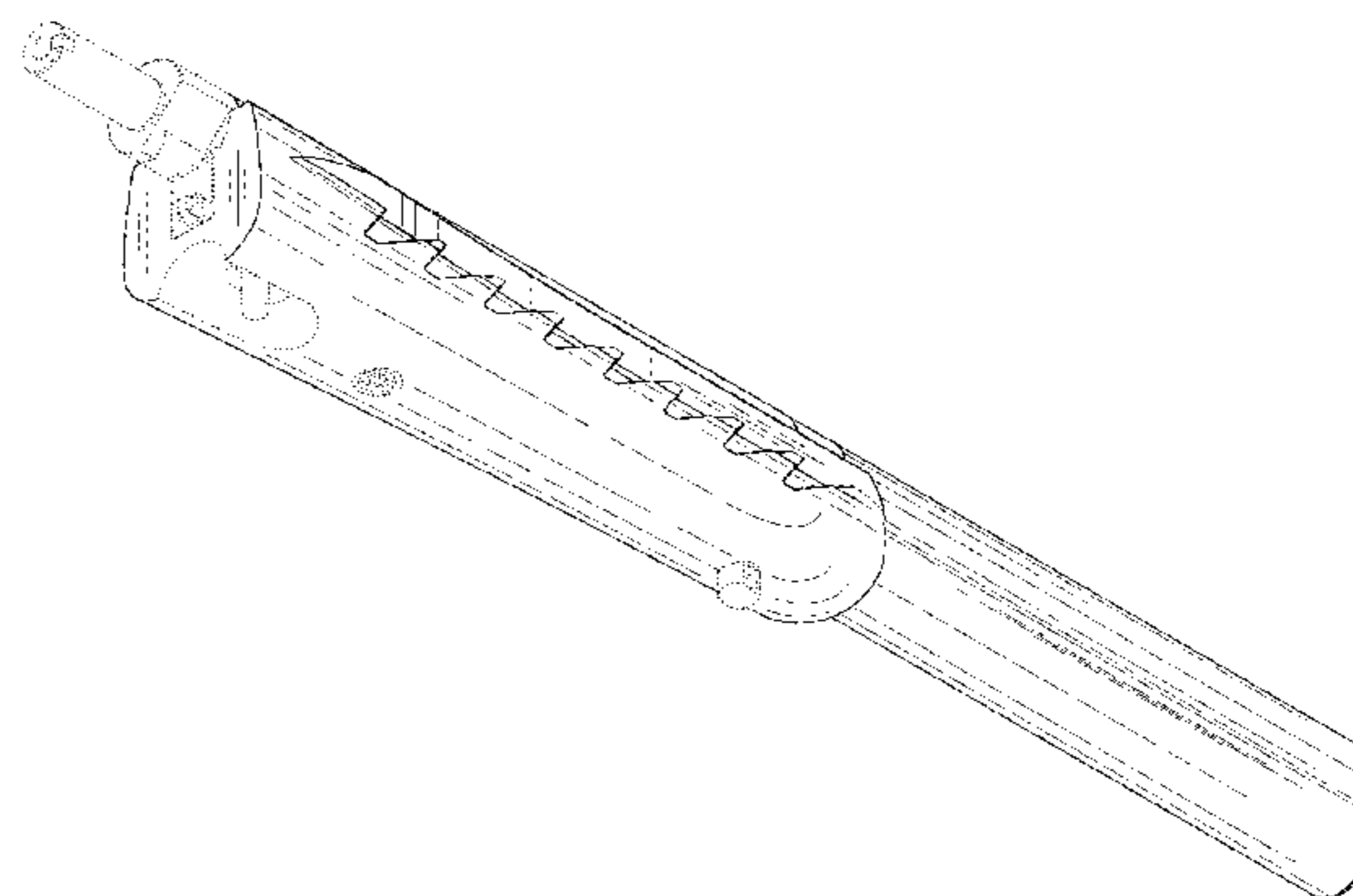
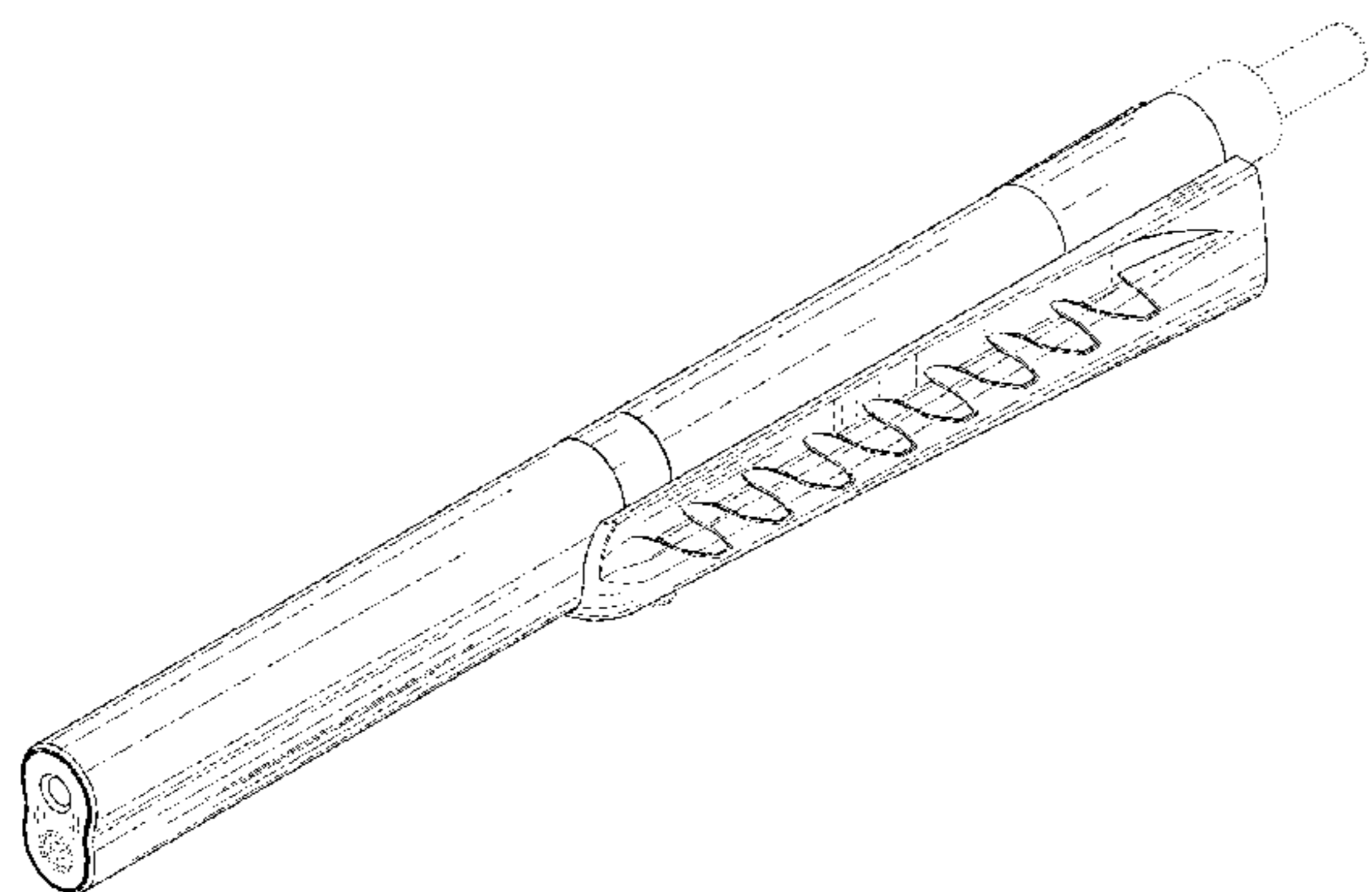
(57) **CLAIM**

The ornamental design for a rifle barrel and stock assembly,
as shown and described.

DESCRIPTION

FIG. 1 is a front top perspective view of a firearm barrel and stock assembly according to the new design;
FIG. 2 is rear bottom perspective view thereof;
FIG. 3 is a left elevation view thereof;
FIG. 4 is a right elevation view thereof;
FIG. 5 is a top plan view thereof;
FIG. 6 is a bottom plan view thereof;
FIG. 7 is a front elevation view thereof; and,
FIG. 8 is rear elevation view thereof.
All broken lines shown in the drawings are for environmental purposes only and form no part of the claimed design.

1 Claim, 4 Drawing Sheets



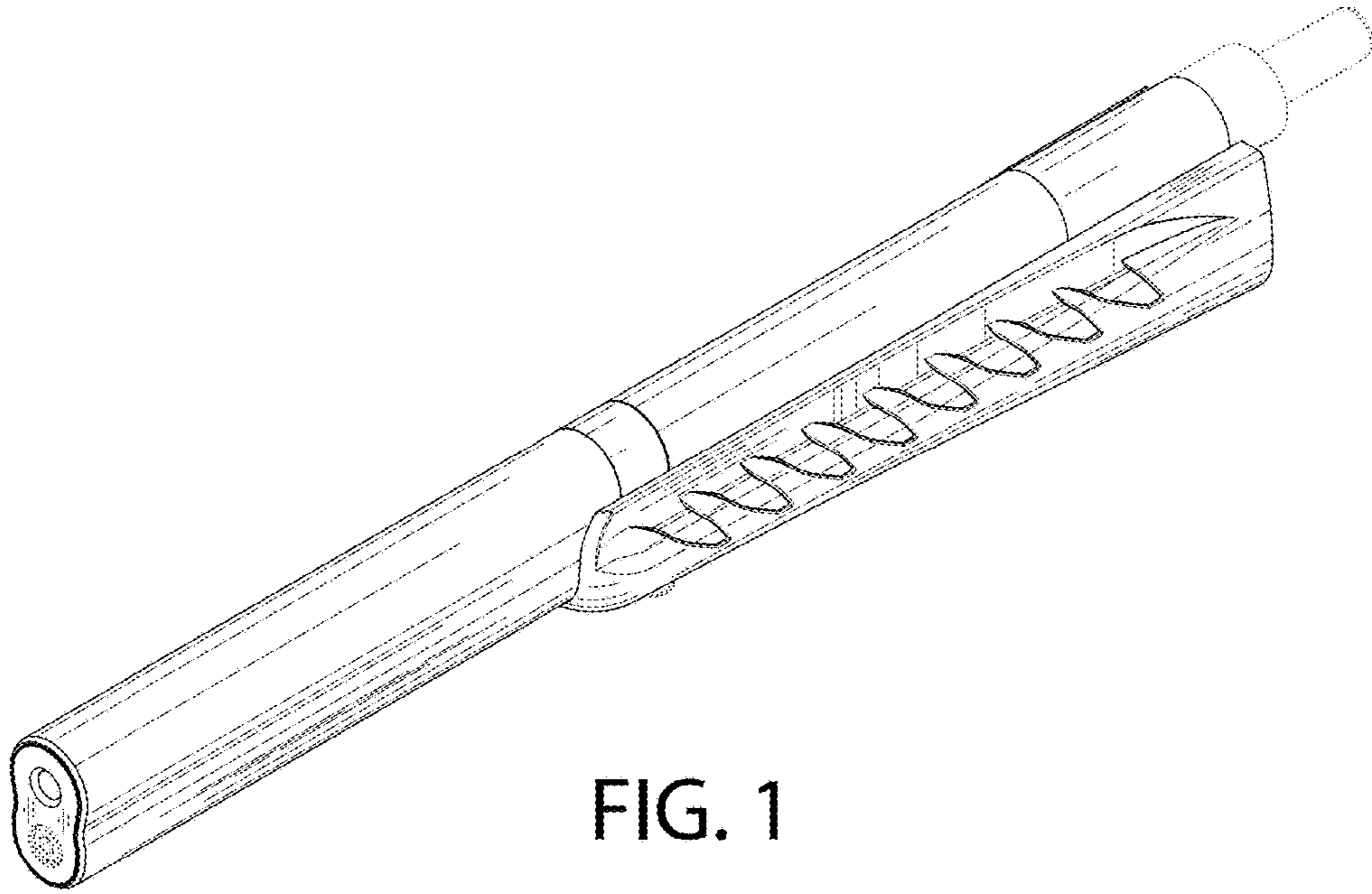


FIG. 1

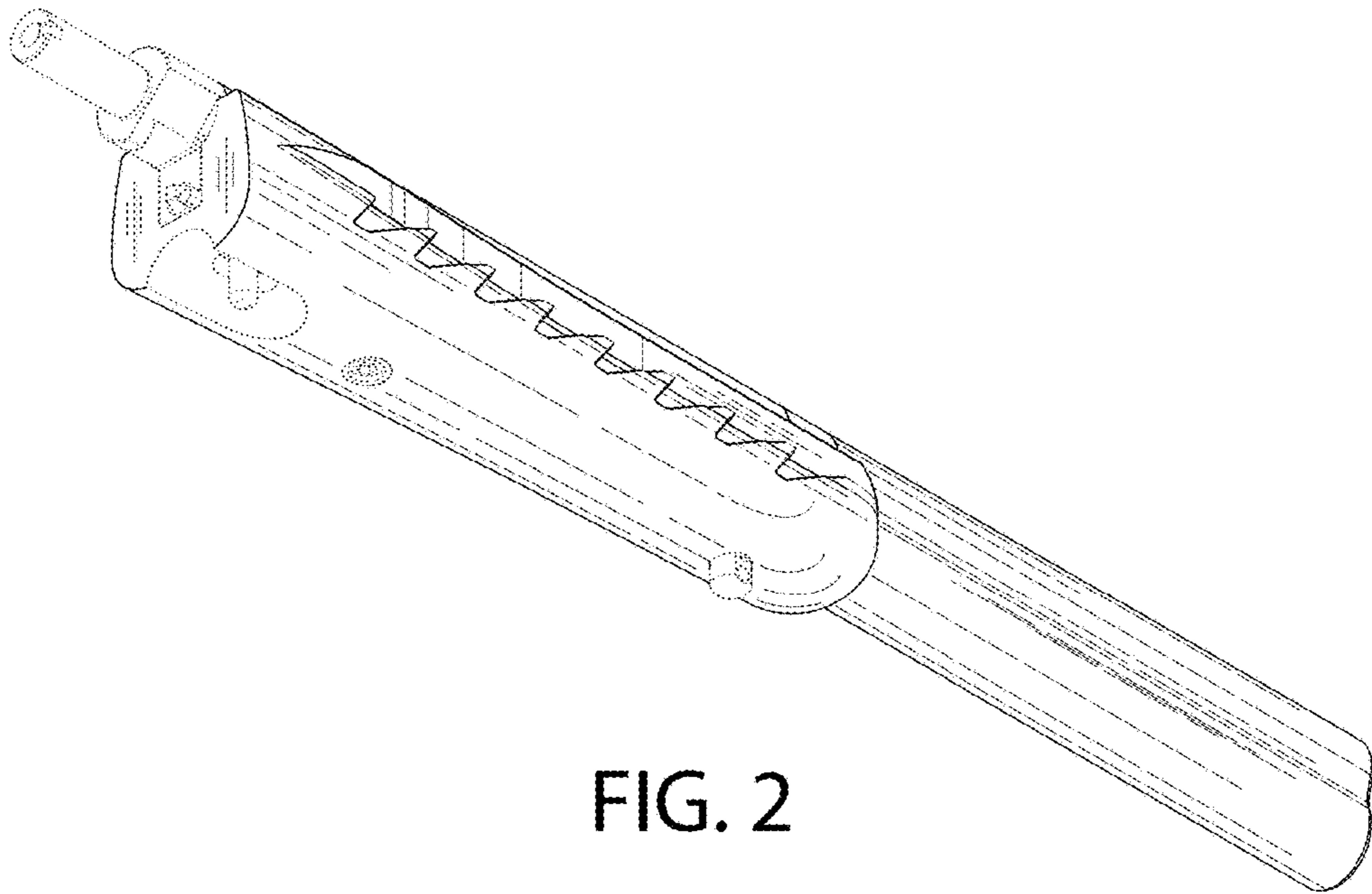


FIG. 2

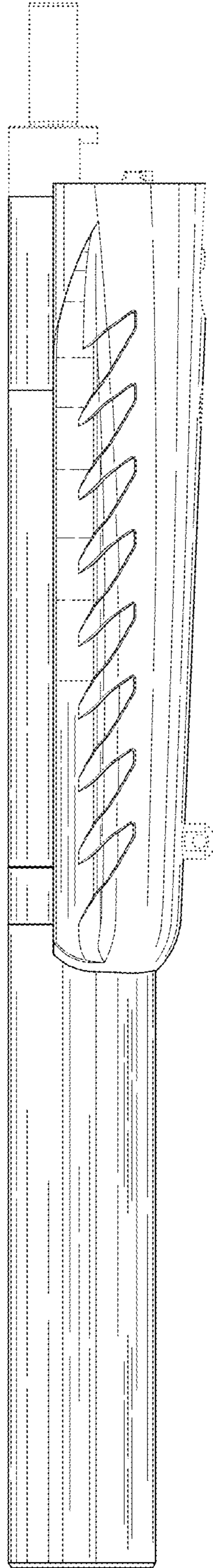


FIG. 3

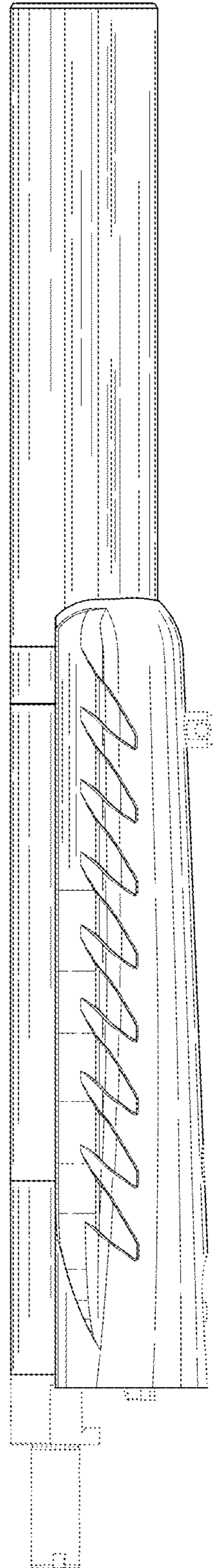


FIG. 4

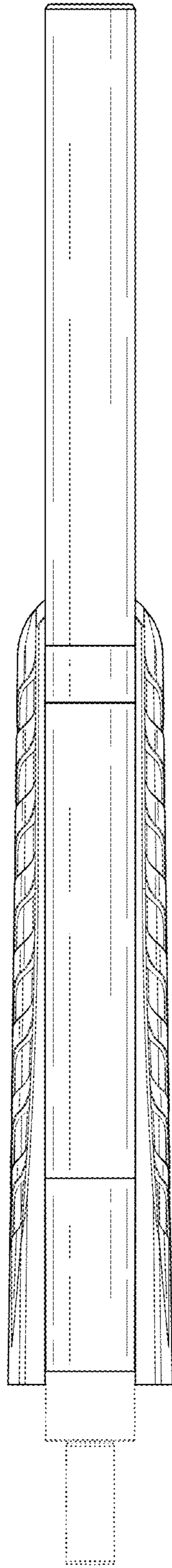


FIG. 5

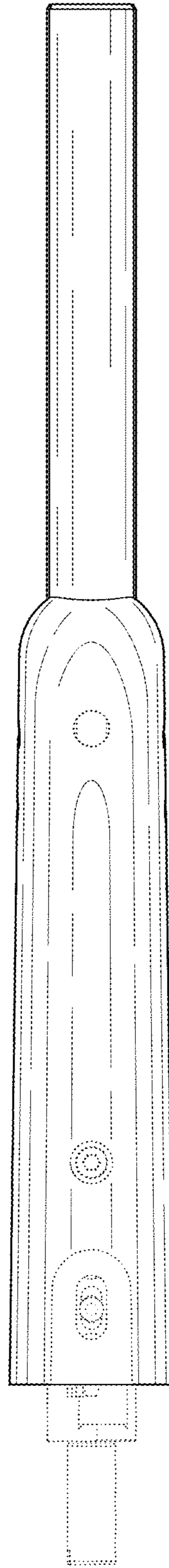


FIG. 6

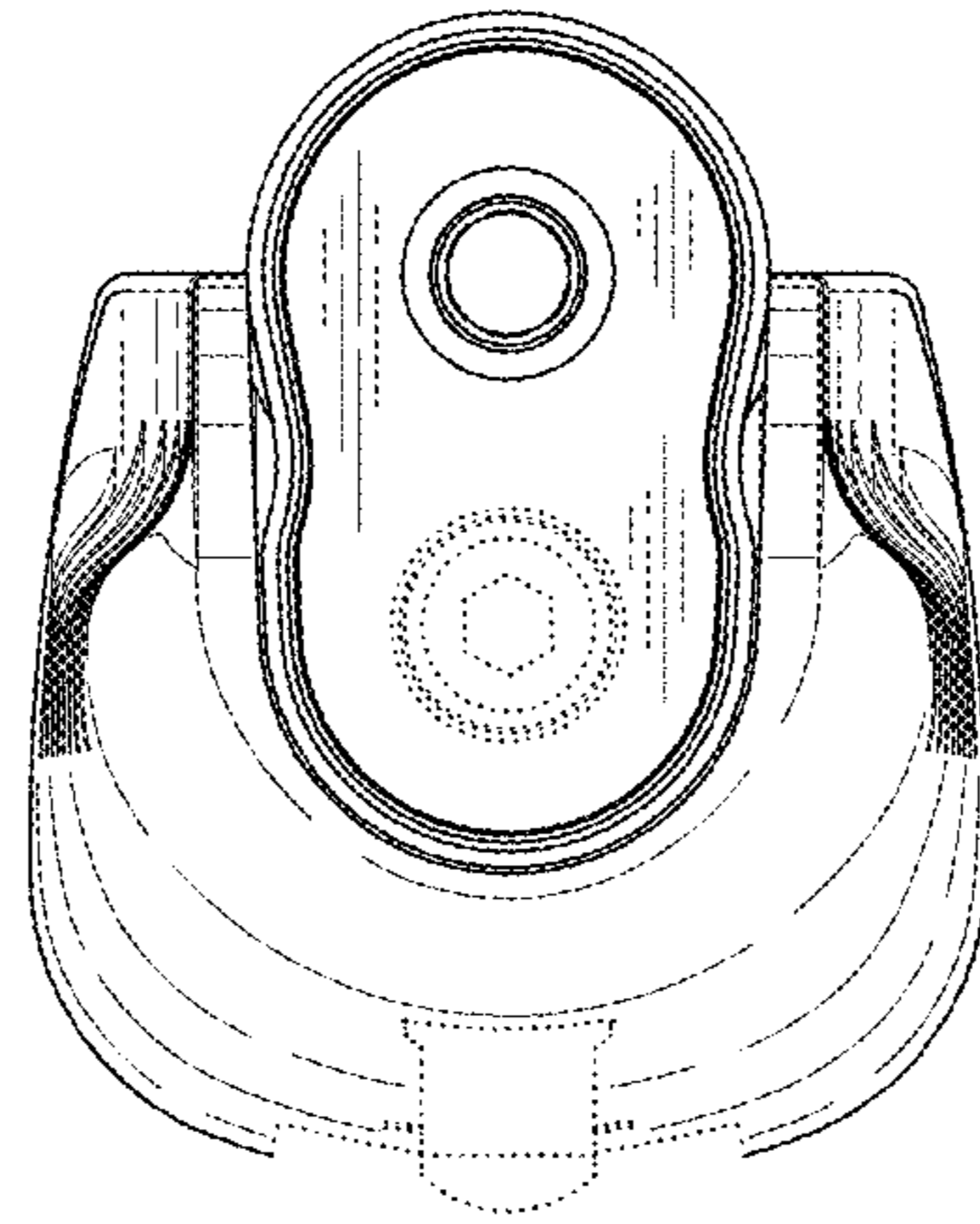


FIG. 7

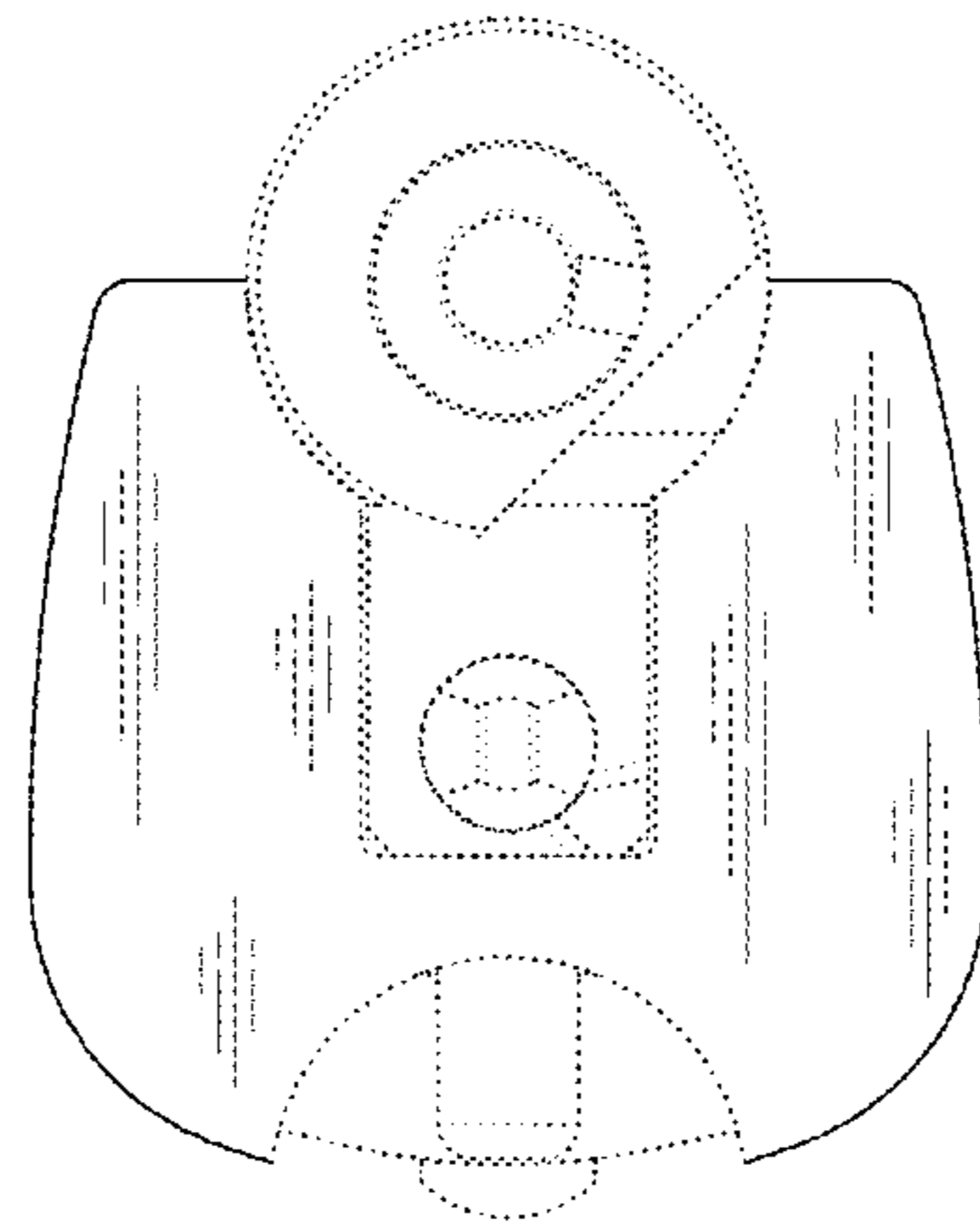


FIG. 8