



US00D823970S

(12) **United States Design Patent**  
**Choma**

(10) **Patent No.:** **US D823,970 S**  
(45) **Date of Patent:** **\*\* Jul. 24, 2018**

(54) **BOWSTRING ENGAGER FOR CROSSBOW COCKERS**

(71) Applicant: **CAMX Outdoors LLC**, West Henrietta, NY (US)

(72) Inventor: **David A. Choma**, Tallmadge, OH (US)

(73) Assignee: **CAMX Outdoors LLC**, West Henrietta, NY (US)

(\*\*) Term: **15 Years**

(21) Appl. No.: **29/583,963**

(22) Filed: **Nov. 10, 2016**

(51) **LOC (11) Cl.** ..... **22-01**

(52) **U.S. Cl.**  
USPC ..... **D22/107**

(58) **Field of Classification Search**  
USPC .... D22/100, 103, 107-110, 199; 124/86-89, 124/23.1, 25.6; 446/572; D6/552, 325; D8/44, 313, 342, 349, 345, 367, 354, 389, D8/394, 400; 292/24, 32, 95, 262, 281; 248/301-308; 24/132 R, 8, 600.8, 601.3, 24/598.1-598.6; 473/583-586; 294/82.1, 294/82.17, 82.11, 82.19  
CPC ..... B66C 1/26; B66C 1/34; B66C 1/42  
See application file for complete search history.

(56) **References Cited**

**U.S. PATENT DOCUMENTS**

D333,775 S \* 3/1993 Krape ..... D8/331  
5,243,956 A \* 9/1993 Luehring ..... F41B 5/12  
124/25  
D454,292 S \* 3/2002 Plummer ..... D8/331  
D613,405 S \* 4/2010 Sauer ..... D24/133  
D638,698 S \* 5/2011 Sprinkmann ..... D8/397  
D639,626 S \* 6/2011 Gangakhedkar ..... D8/44  
D647,157 S 10/2011 Errett  
D692,976 S \* 11/2013 Sims ..... D22/107

D699,095 S \* 2/2014 Patterson ..... D8/331  
D699,100 S \* 2/2014 Moreau ..... D8/394  
D701,445 S \* 3/2014 Terpsma ..... D8/331  
D736,603 S \* 8/2015 Petzl ..... D8/356

(Continued)

**OTHER PUBLICATIONS**

Red Hot Deluxe Roller Cocker, Amazon.com, [online], [site visited Dec. 11, 2017]. <URL: <https://www.amazon.com/Red-Hot%C3%82-Deluxe-Roller-Cocker/dp/B002DXXJBE>> (Year: 2017).\*

(Continued)

*Primary Examiner* — T. Chase Nelson  
*Assistant Examiner* — Jonathan J. Han  
(74) *Attorney, Agent, or Firm* — Barclay Damon LLP

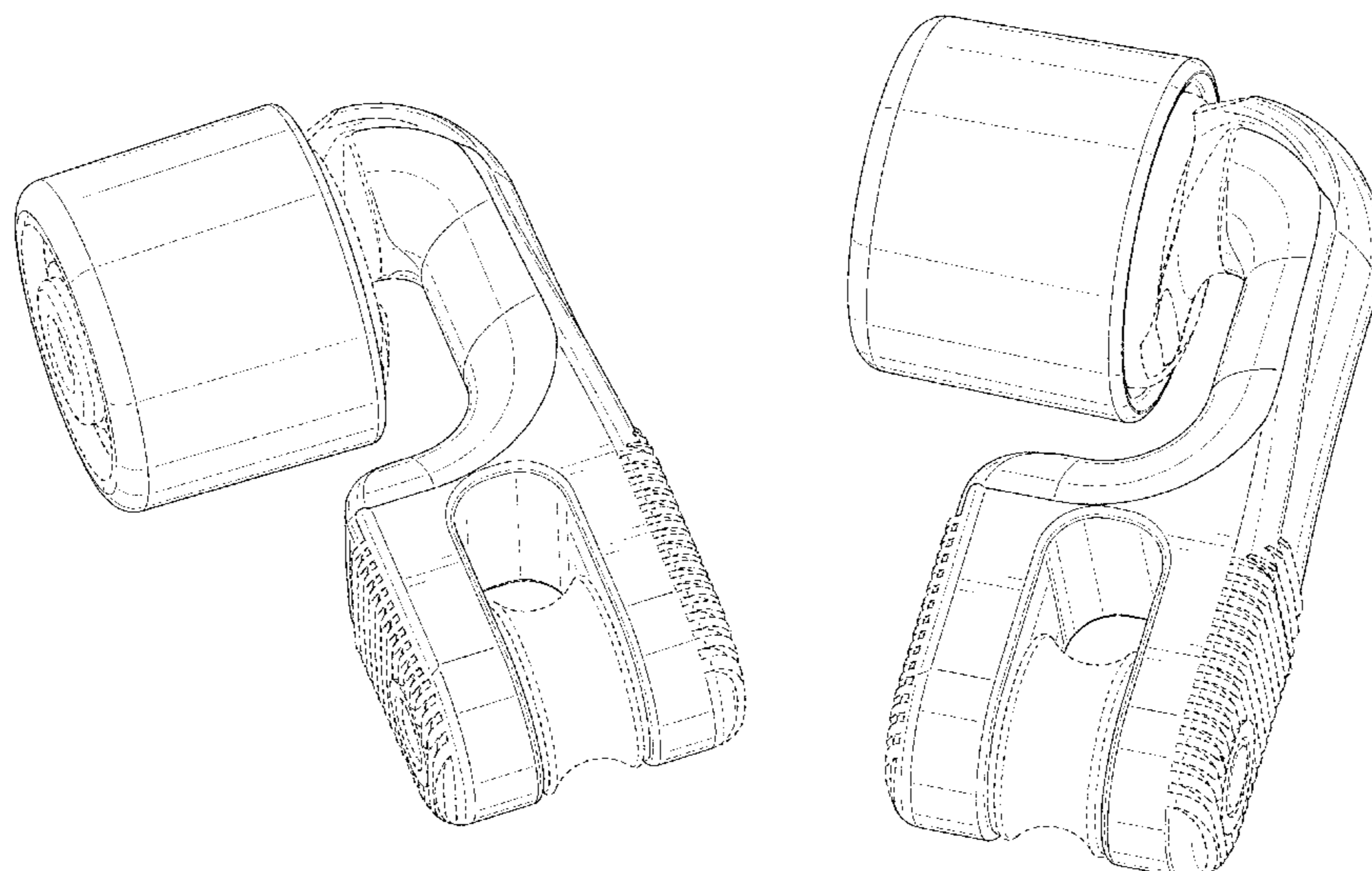
(57) **CLAIM**

The ornamental design for a bowstring engager for crossbow cockers, as shown and described.

**DESCRIPTION**

FIG. 1 is a front elevation view of an embodiment of the bowstring engager for crossbow cockers.  
FIG. 2 is a rear elevation view of the embodiment of the bowstring engager for crossbow cockers.  
FIG. 3 is a left side elevation view of the embodiment of the bowstring engager for crossbow cockers.  
FIG. 4 is a right side elevation view of the embodiment of the bowstring engager for crossbow cockers.  
FIG. 5 is a top view of the embodiment of the bowstring engager for crossbow cockers.  
FIG. 6 is a bottom view of the embodiment of the bowstring engager for crossbow cockers.  
FIG. 7 is a top right isometric view of the embodiment of the bowstring engager for crossbow cockers; and,  
FIG. 8 is a top left isometric view of the embodiment of the bowstring engager for crossbow cockers.  
The broken lines in the drawings illustrate unclaimed environment and form no part of the claimed design.

**1 Claim, 8 Drawing Sheets**



(56)

References Cited

U.S. PATENT DOCUMENTS

D745,374 S \* 12/2015 Liu ..... D8/355  
 D746,126 S \* 12/2015 LeBeau ..... D8/367  
 D750,475 S \* 3/2016 Bucher ..... D8/382  
 D752,960 S \* 4/2016 Fujioka ..... D21/658  
 D763,673 S \* 8/2016 Moreau ..... D8/395  
 D764,566 S \* 8/2016 Bennett ..... D16/242  
 D778,144 S \* 2/2017 Anderson ..... D8/367  
 D783,108 S \* 4/2017 McPherson ..... D22/107  
 D785,124 S \* 4/2017 Dahl, II ..... D22/107  
 D793,214 S \* 8/2017 Ishii ..... D8/383  
 D797,230 S \* 9/2017 Houle ..... D22/107  
 9,752,845 B1 \* 9/2017 Braun ..... F41B 5/1488  
 9,797,676 B2 \* 10/2017 Houle ..... F41B 5/12  
 D803,758 S \* 11/2017 Giordano ..... D12/223  
 9,829,269 B2 \* 11/2017 McPherson ..... F41B 5/10  
 2005/0076895 A1 \* 4/2005 Walk ..... F41B 5/143  
 124/44.5  
 2007/0151552 A1 \* 7/2007 Czemske ..... F41B 5/10  
 124/86  
 2009/0288650 A1 \* 11/2009 Batdorf ..... F41B 5/10  
 124/25.6  
 2010/0252013 A1 \* 10/2010 Miller ..... F41B 5/10  
 124/25.6

2012/0037139 A1 \* 2/2012 Barnett ..... F41B 5/1469  
 124/86  
 2014/0209080 A1 \* 7/2014 McPherson ..... F41B 5/10  
 124/25.6  
 2015/0136107 A1 \* 5/2015 Okupniak ..... F41B 5/105  
 124/25.6

OTHER PUBLICATIONS

CenterPoint Crossbow Rope Cocker, SportsmansGuide.com, [online], [site visited Dec. 11, 2017]. <URL: [https://www.sportsmansguide.com/product/index/centerpoint-crossbow-rope-cocker?a=2135845&pm2d=CSE-SPG-15-PLA&utm\\_medium=PLA&utm](https://www.sportsmansguide.com/product/index/centerpoint-crossbow-rope-cocker?a=2135845&pm2d=CSE-SPG-15-PLA&utm_medium=PLA&utm)> (Year: 2017).\*

Elong Crossbow Cocking Device, Amazon.com, [online], [site visited Dec. 11, 2017]. <URL: [https://www.amazon.com/dp/B010K5T90Q/ref=sspa\\_dk\\_detail\\_1?psc=1&pd\\_rd\\_i=B010K5T90Q&pd\\_rd\\_wg=yMLQc&pd\\_rd\\_r=5NABA69FPT9B913YRY7B&pd\\_rd\\_w=fqoDd](https://www.amazon.com/dp/B010K5T90Q/ref=sspa_dk_detail_1?psc=1&pd_rd_i=B010K5T90Q&pd_rd_wg=yMLQc&pd_rd_r=5NABA69FPT9B913YRY7B&pd_rd_w=fqoDd)> (Year: 2017).\*

Rope-Cocker, HortonCrossbows.com, [online], [site visited Dec. 11, 2017]. <URL: <https://www.hortoncrossbows.com/shop/Rope-Cocker-P47.aspx>> (Year: 2017).\*

"Parker Deluxe Roller Cocker"; Apr. 30, 2015; retrieved from the Internet: <<https://web.archive.org/web/20150715000000/http://www.gandermountain.com/>>; 1 page.

\* cited by examiner

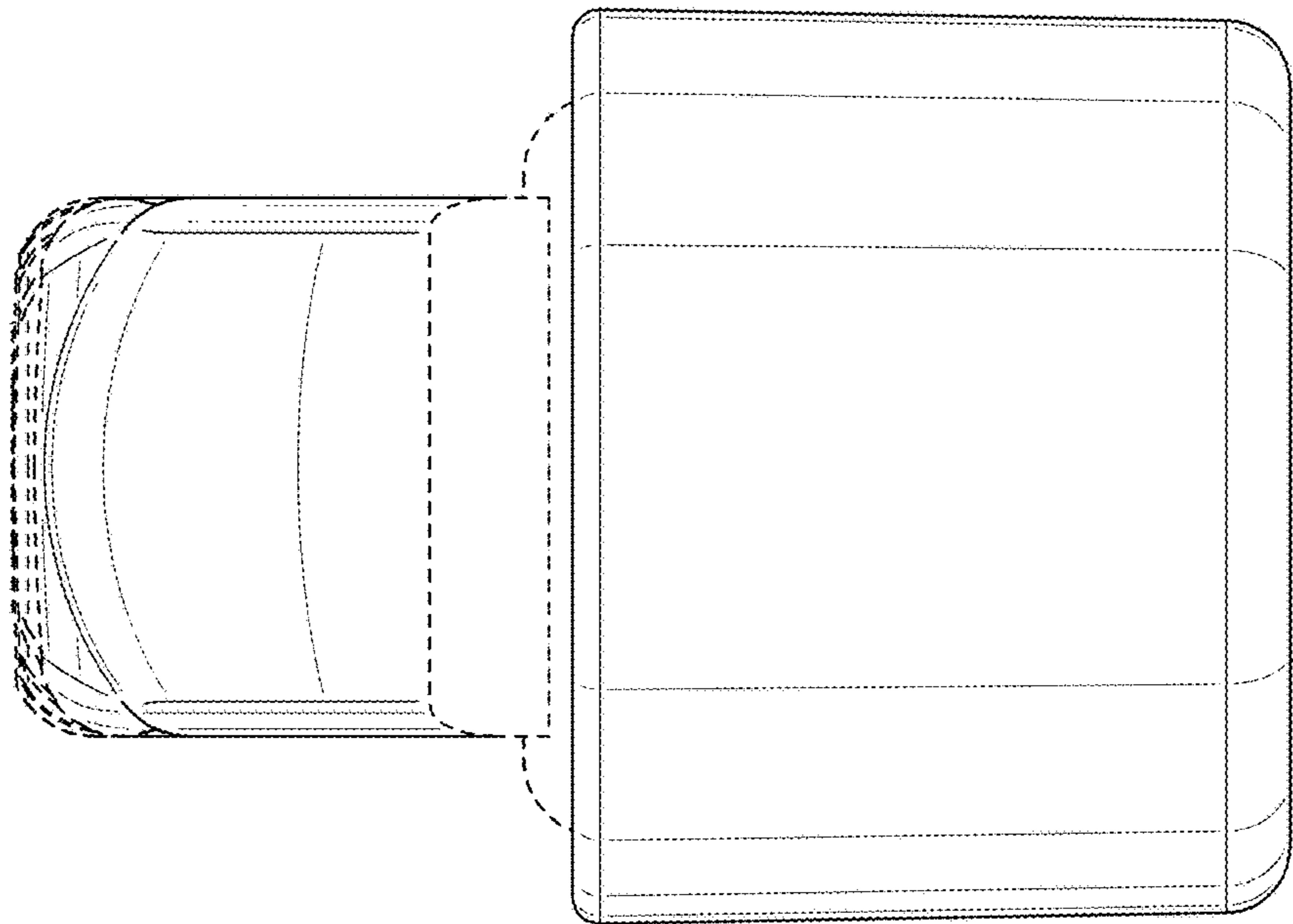


FIG. 1

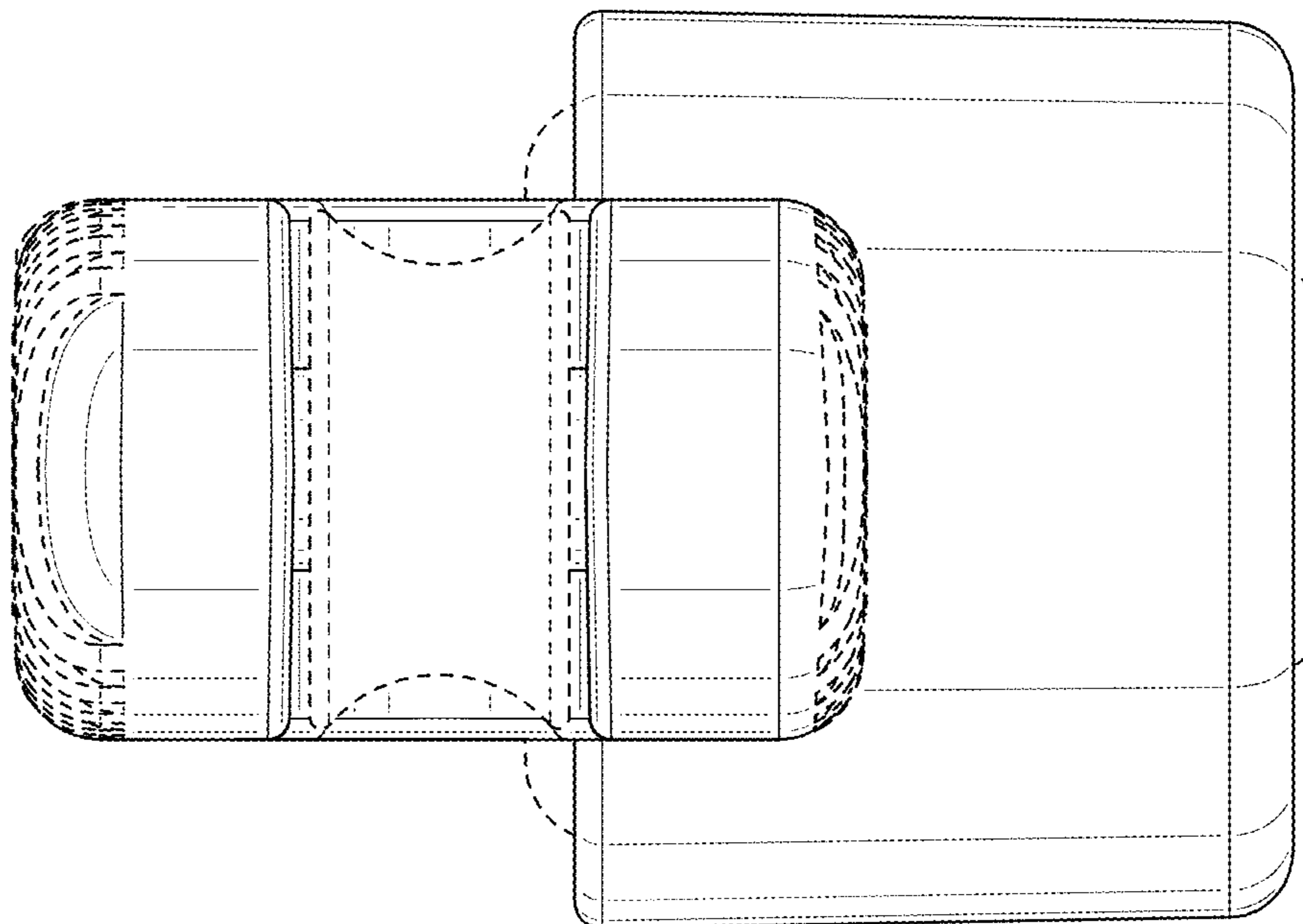


FIG. 2

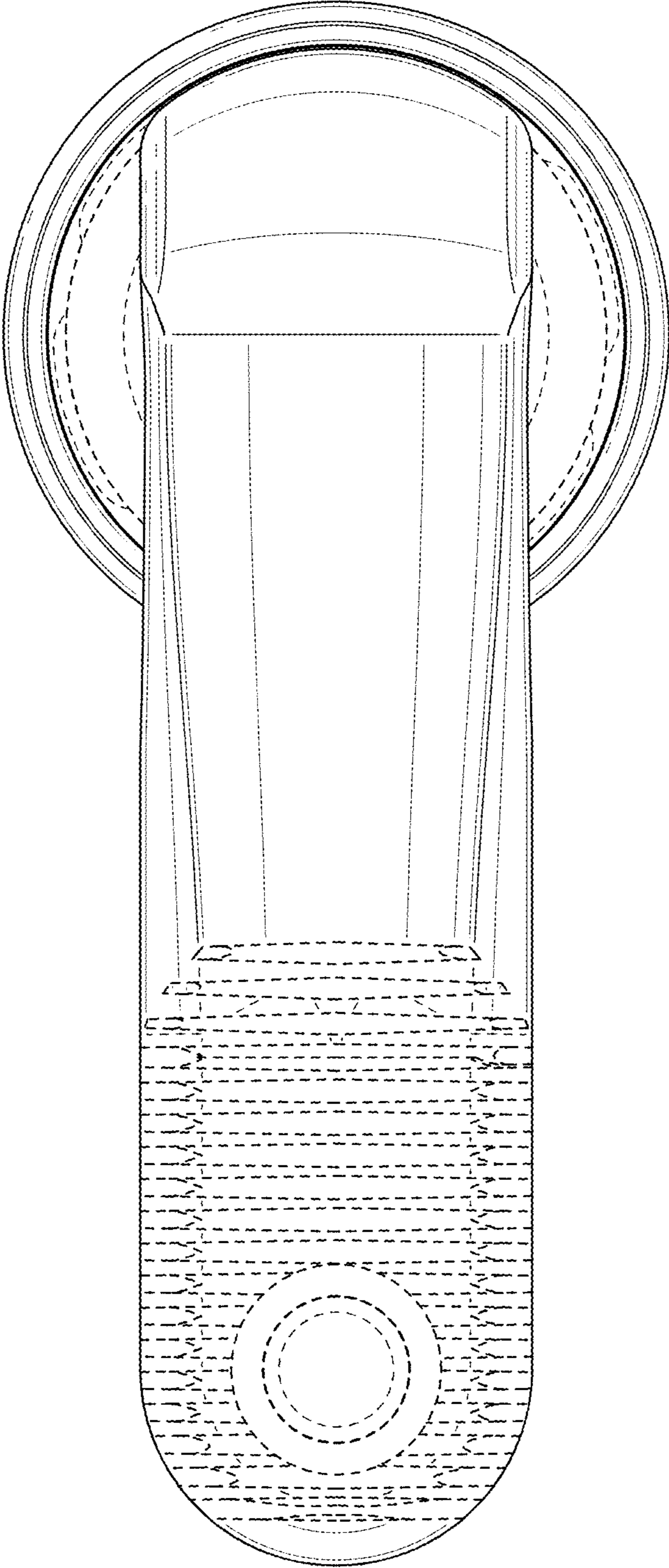


FIG. 3

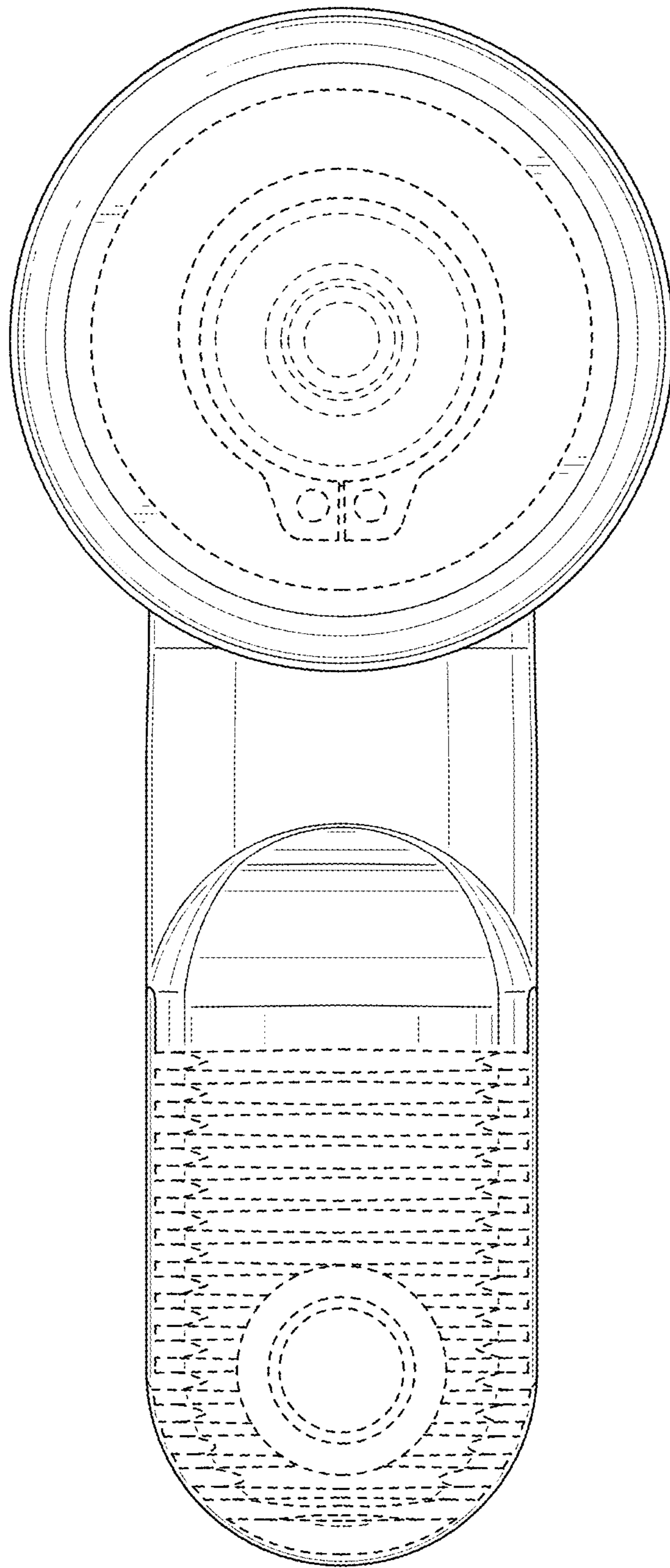


FIG. 4

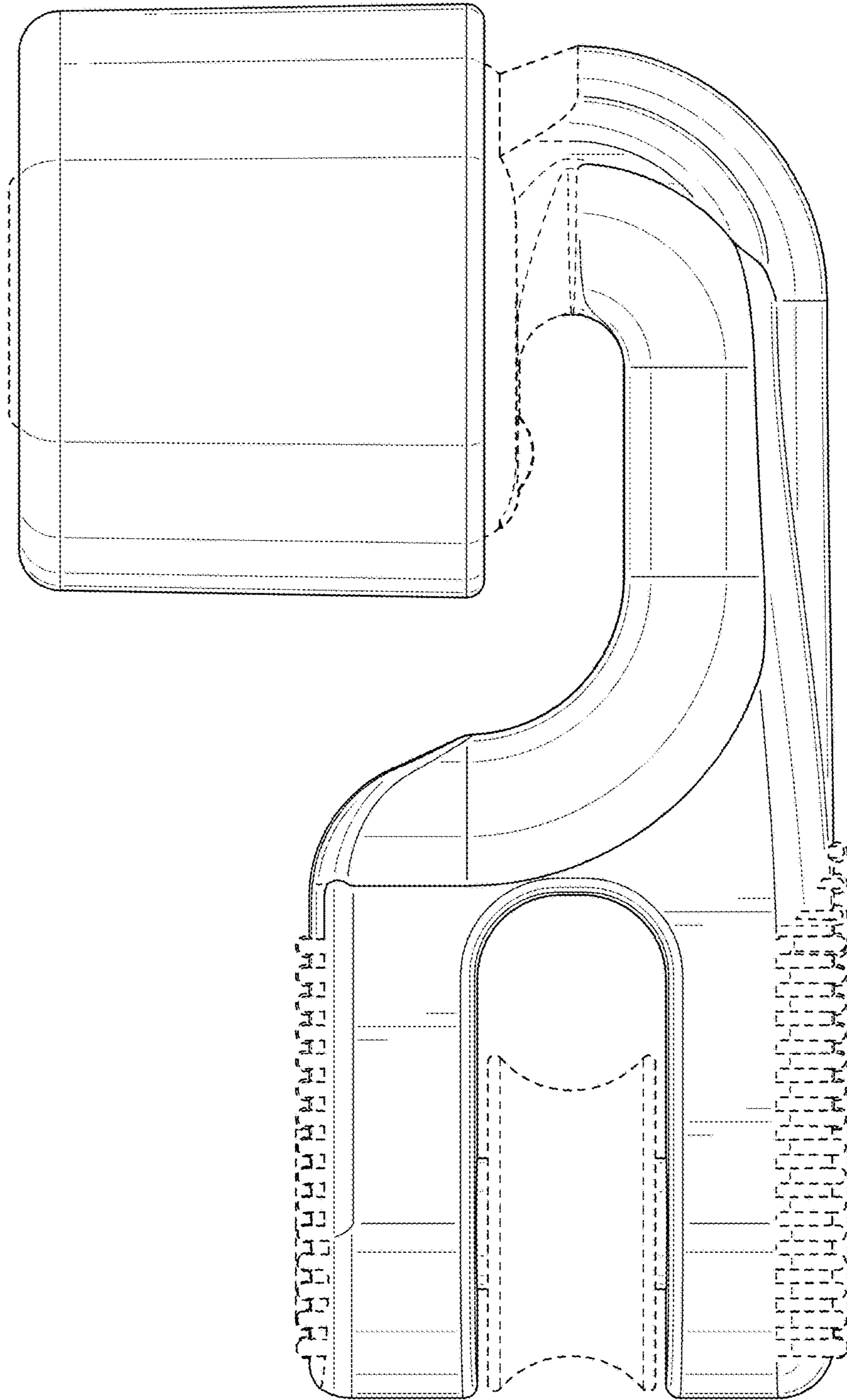


FIG. 5

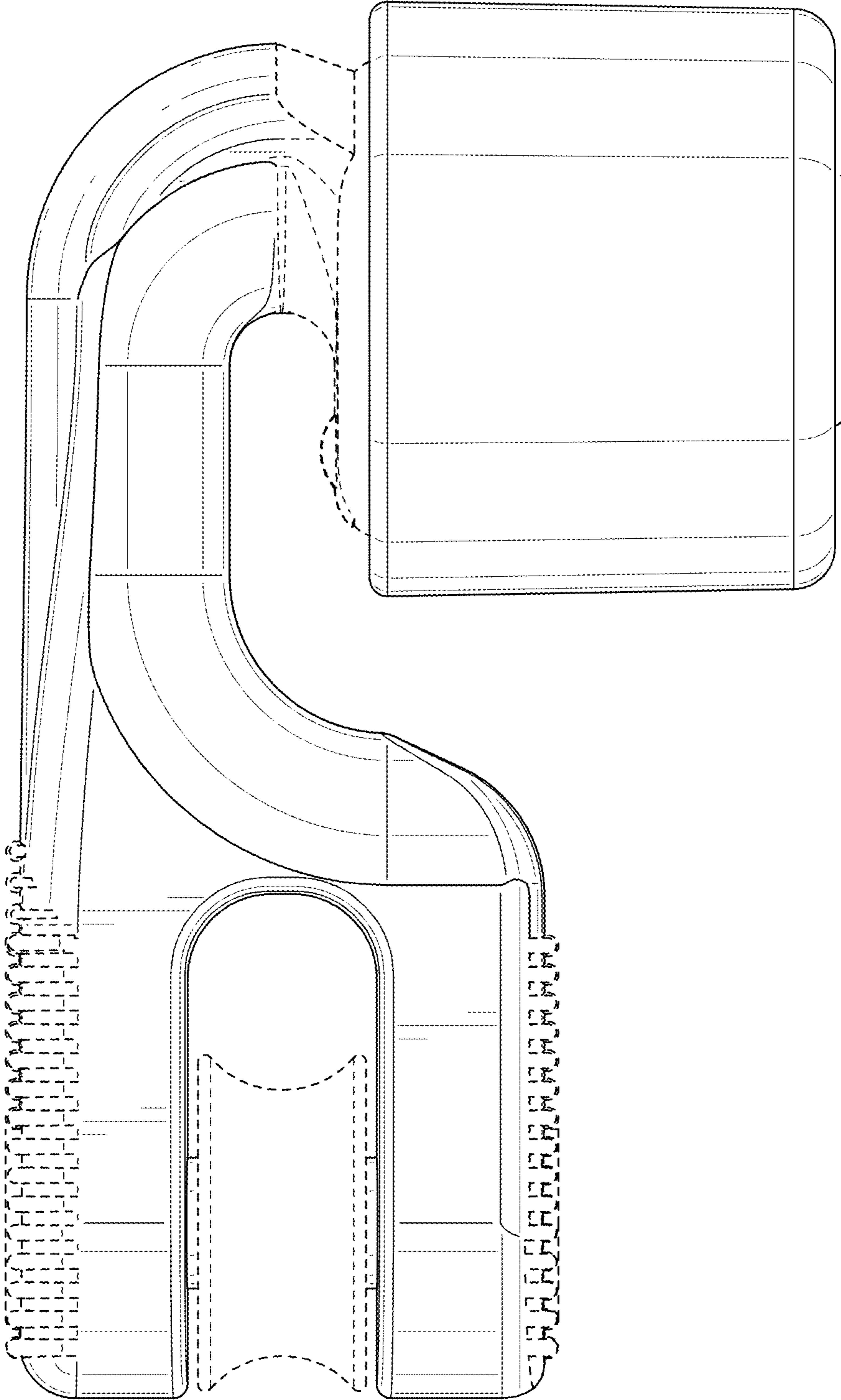


FIG. 6



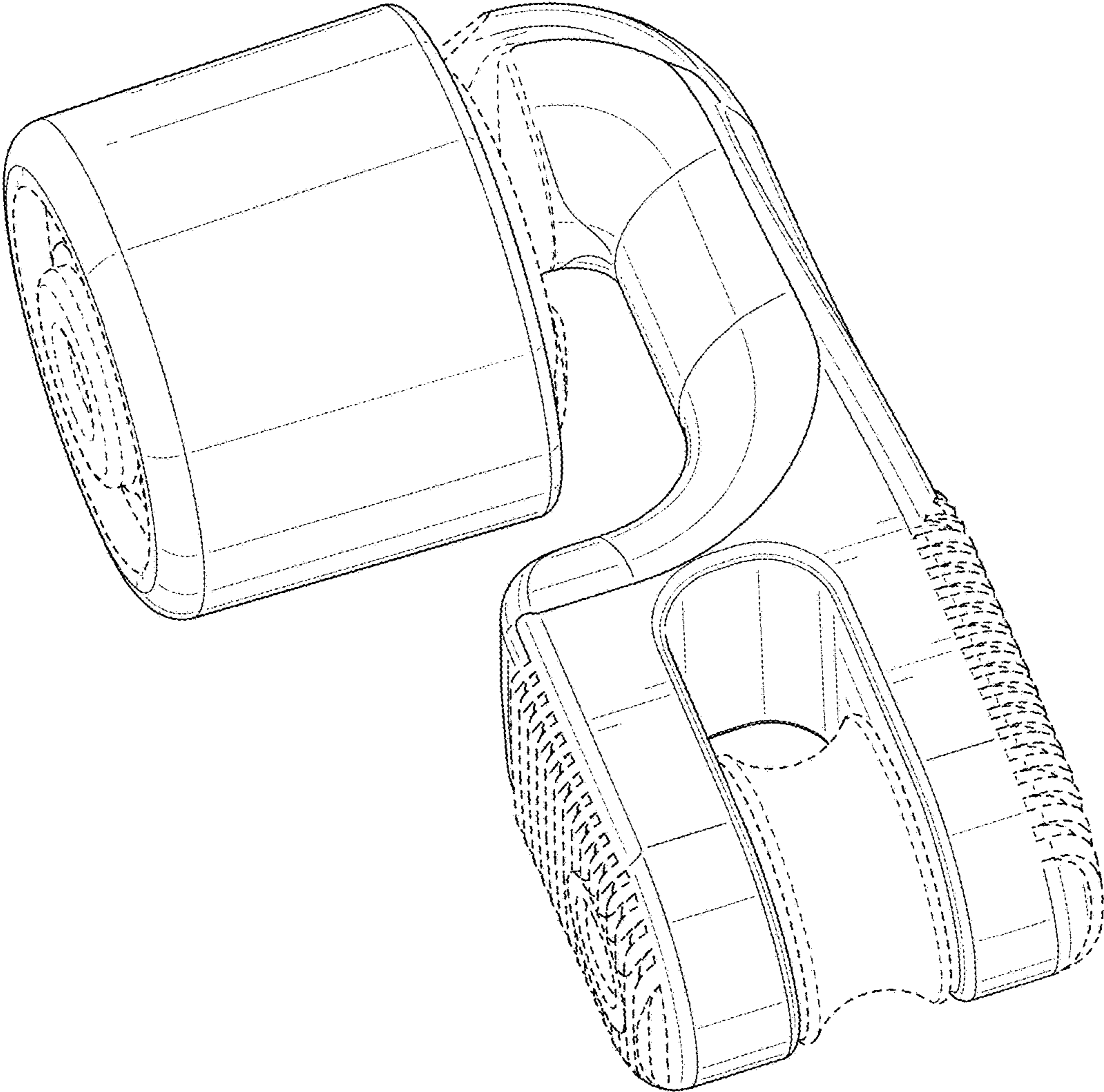


FIG. 7

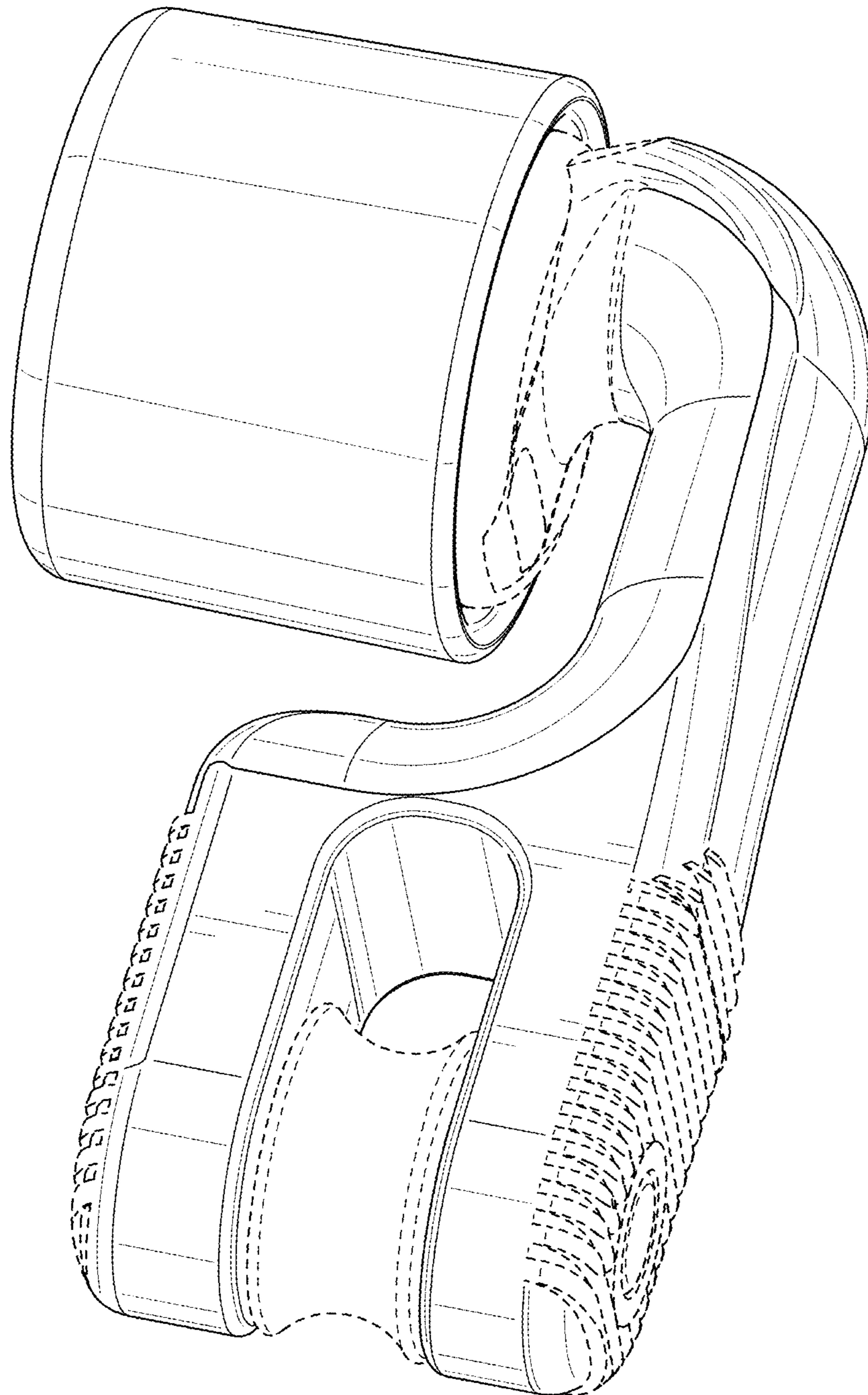


FIG. 8