

US00D823968S

(12) **United States Design Patent** (10) **Patent No.:** **US D823,968 S**
Xiao (45) **Date of Patent:** **** Jul. 24, 2018**

(54) **TENT**
(71) Applicant: **Yongkai Xiao**, Guangdong (CN)
(72) Inventor: **Yongkai Xiao**, Guangdong (CN)
(73) Assignee: **Yongkai Xiao**, Zhongshan (CN)
(**) Term: **15 Years**
(21) Appl. No.: **29/613,549**
(22) Filed: **Aug. 10, 2017**
(51) **LOC (11) Cl.** **21-04**
(52) **U.S. Cl.**
USPC **D21/837**
(58) **Field of Classification Search**
USPC D21/834, 835, 836, 837, 838, 839, 840
CPC E04H 15/00; E04H 15/02; E04H 15/18;
E04H 15/28; E04H 15/32; E04H 15/34;
E04H 15/40; E04H 15/42; E04H 15/425;
E04H 15/50
See application file for complete search history.

(56) **References Cited**

U.S. PATENT DOCUMENTS

D514,747 S * 2/2006 Bertoli D30/108
D661,362 S * 6/2012 Zimmer D21/834
D721,413 S * 1/2015 Zimmer D21/837
D741,437 S * 10/2015 Zimmer D21/837
D763,391 S * 8/2016 Xu D21/837
D773,579 S * 12/2016 Shir D21/837

D775,296 S * 12/2016 Shir D21/837
D778,383 S * 2/2017 Xu D21/837
D795,980 S * 8/2017 Xiao D21/834
2005/0081903 A1* 4/2005 Wang E04H 15/40
135/126
2005/0121061 A1* 6/2005 Zheng E04H 15/324
135/126

* cited by examiner

Primary Examiner — Robin V Webster

Assistant Examiner — Keith J Wilson

(74) *Attorney, Agent, or Firm* — ScienBiziP, P.C.

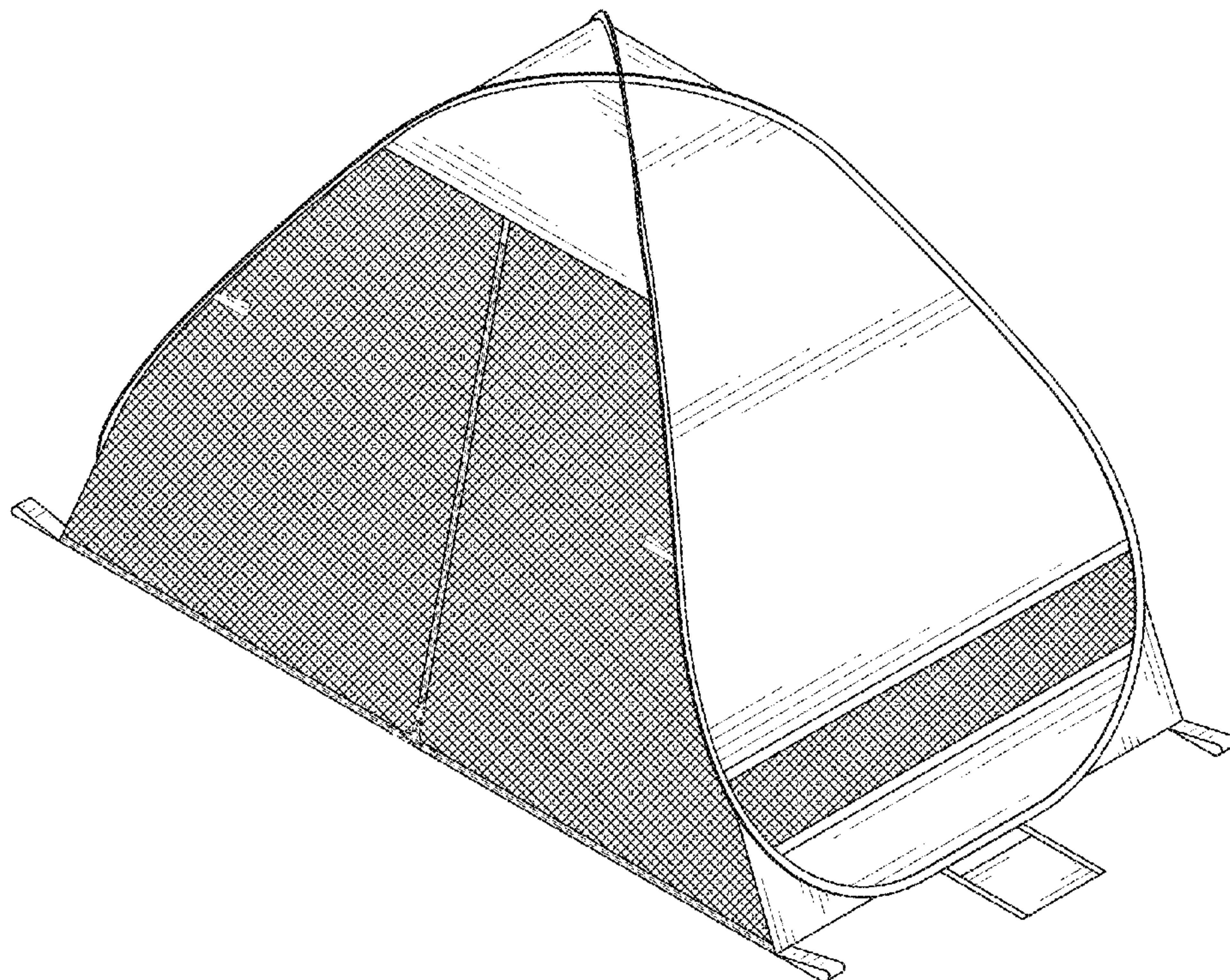
(57) **CLAIM**

The ornamental design for a tent, as shown and described.

DESCRIPTION

FIG. 1 is a first perspective view of a tent showing my new design;
FIG. 2 is a second perspective view thereof;
FIG. 3 is a front elevational view thereof;
FIG. 4 is a rear elevational view thereof;
FIG. 5 is a left side view thereof;
FIG. 6 is a right side view thereof;
FIG. 7 is a top plan view thereof;
FIG. 8 is a bottom plan view thereof; and,
FIG. 9 is a third perspective view showing the tent in a state of use.
The broken lines in the drawings illustrate portions of the tent which form no part of the claimed design.

1 Claim, 9 Drawing Sheets



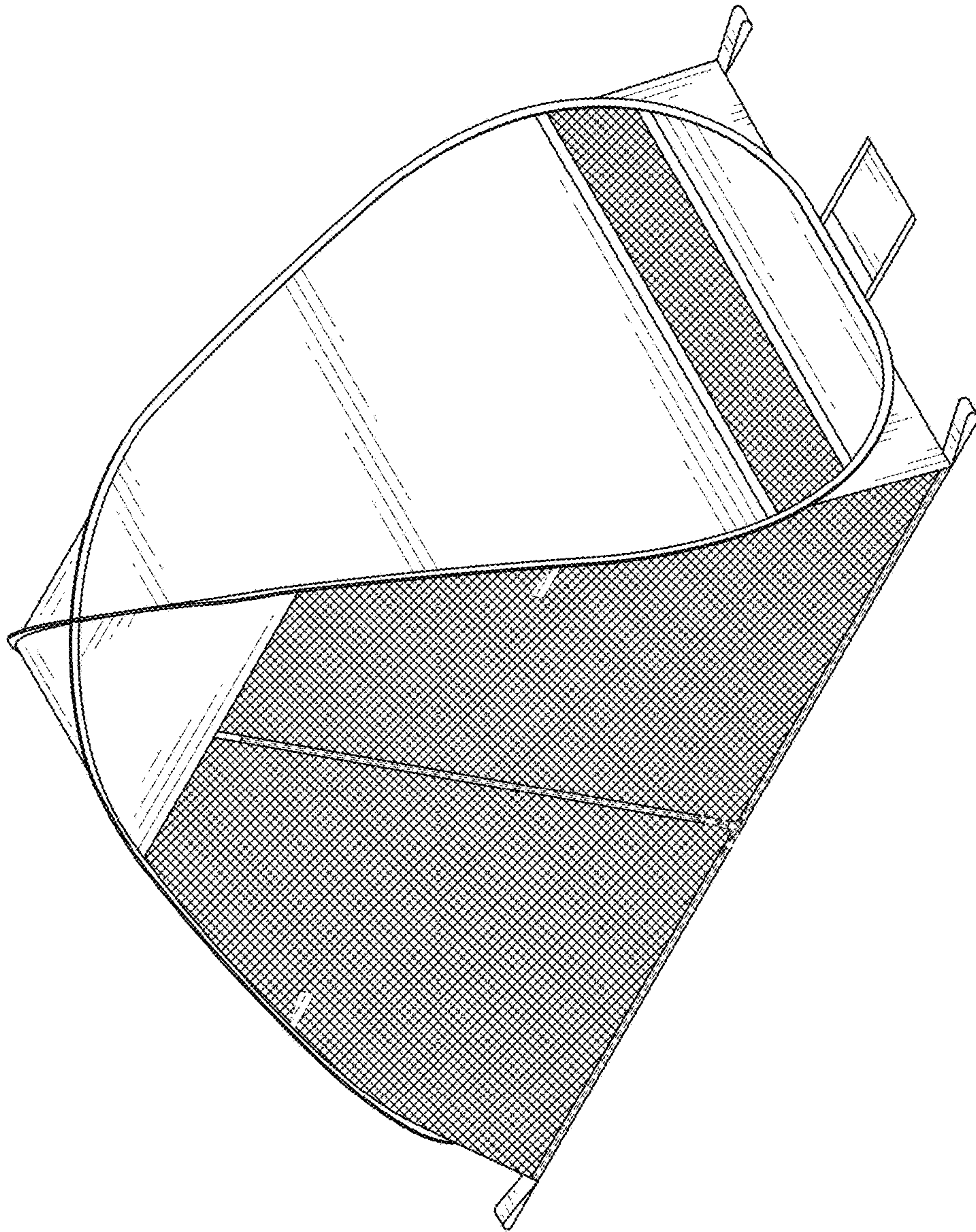


FIG. 1

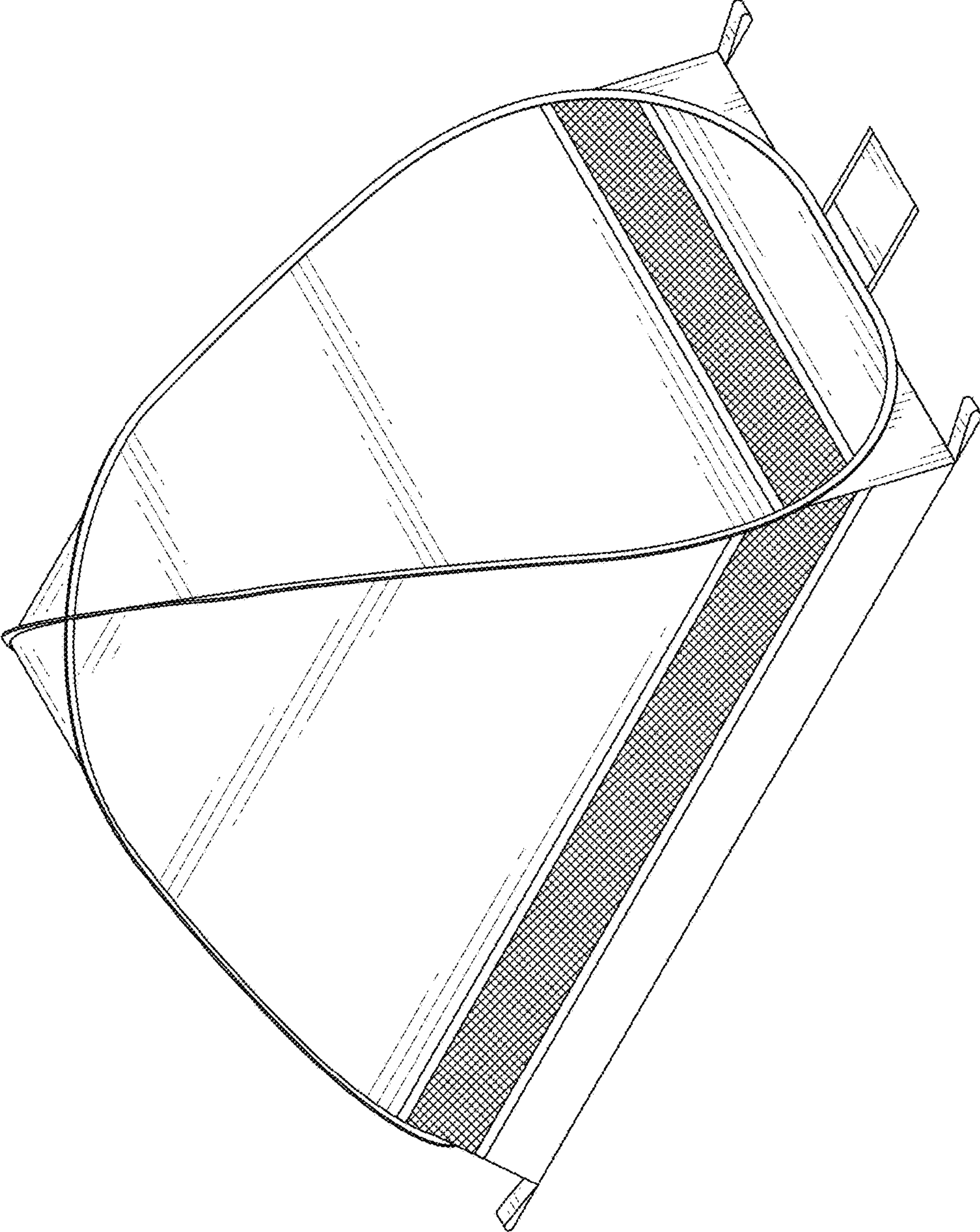


FIG. 2

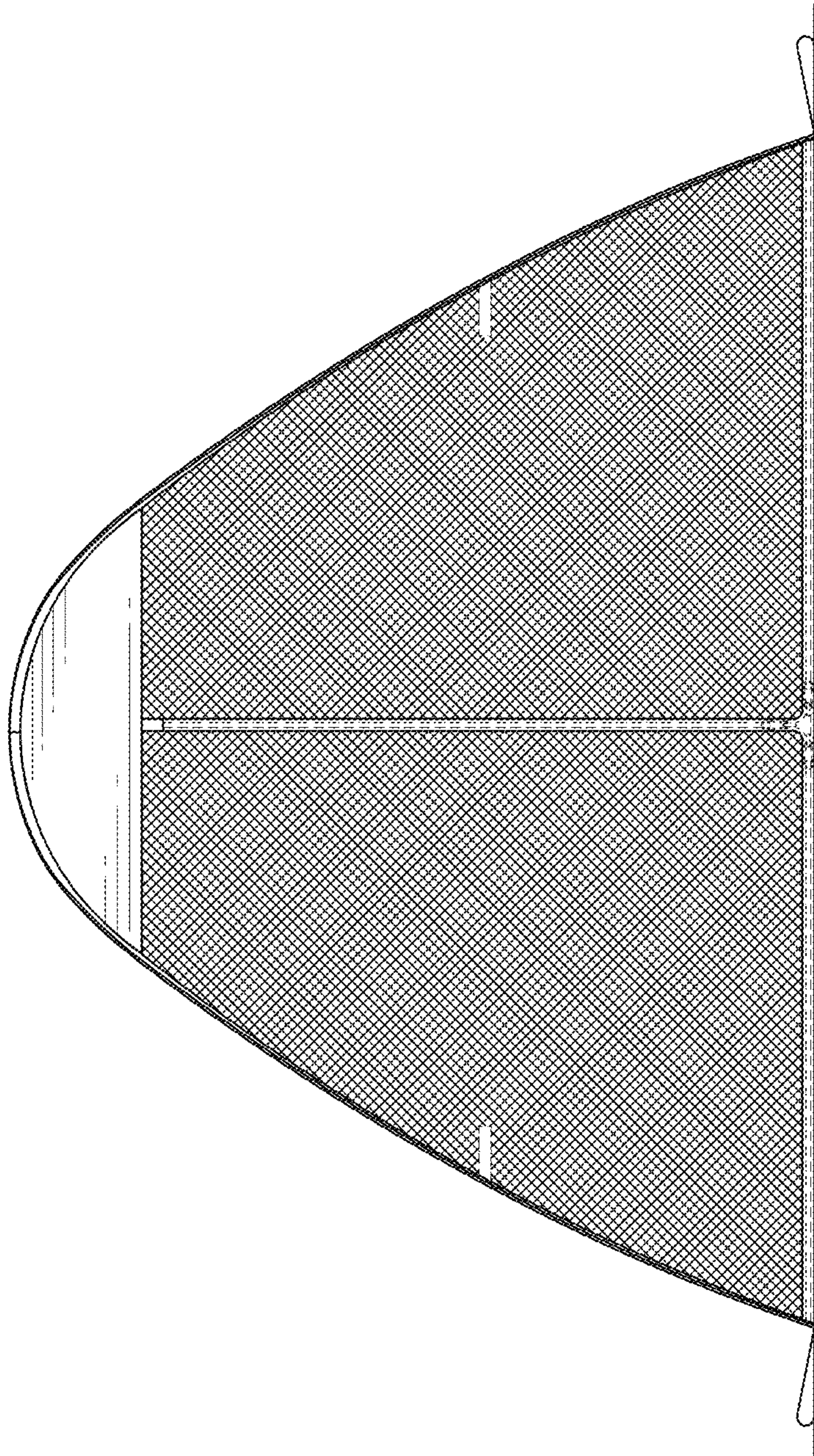


FIG. 3

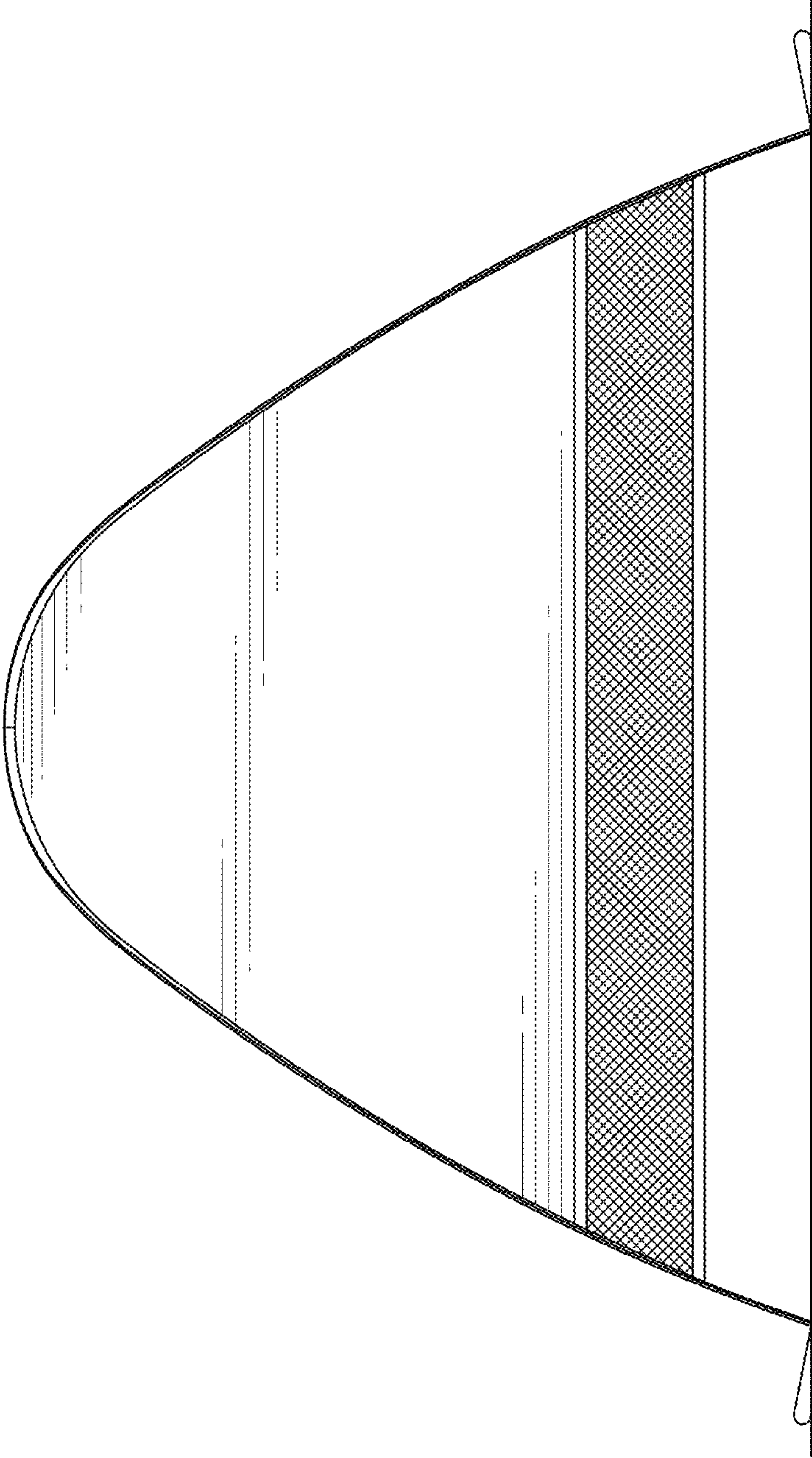


FIG. 4

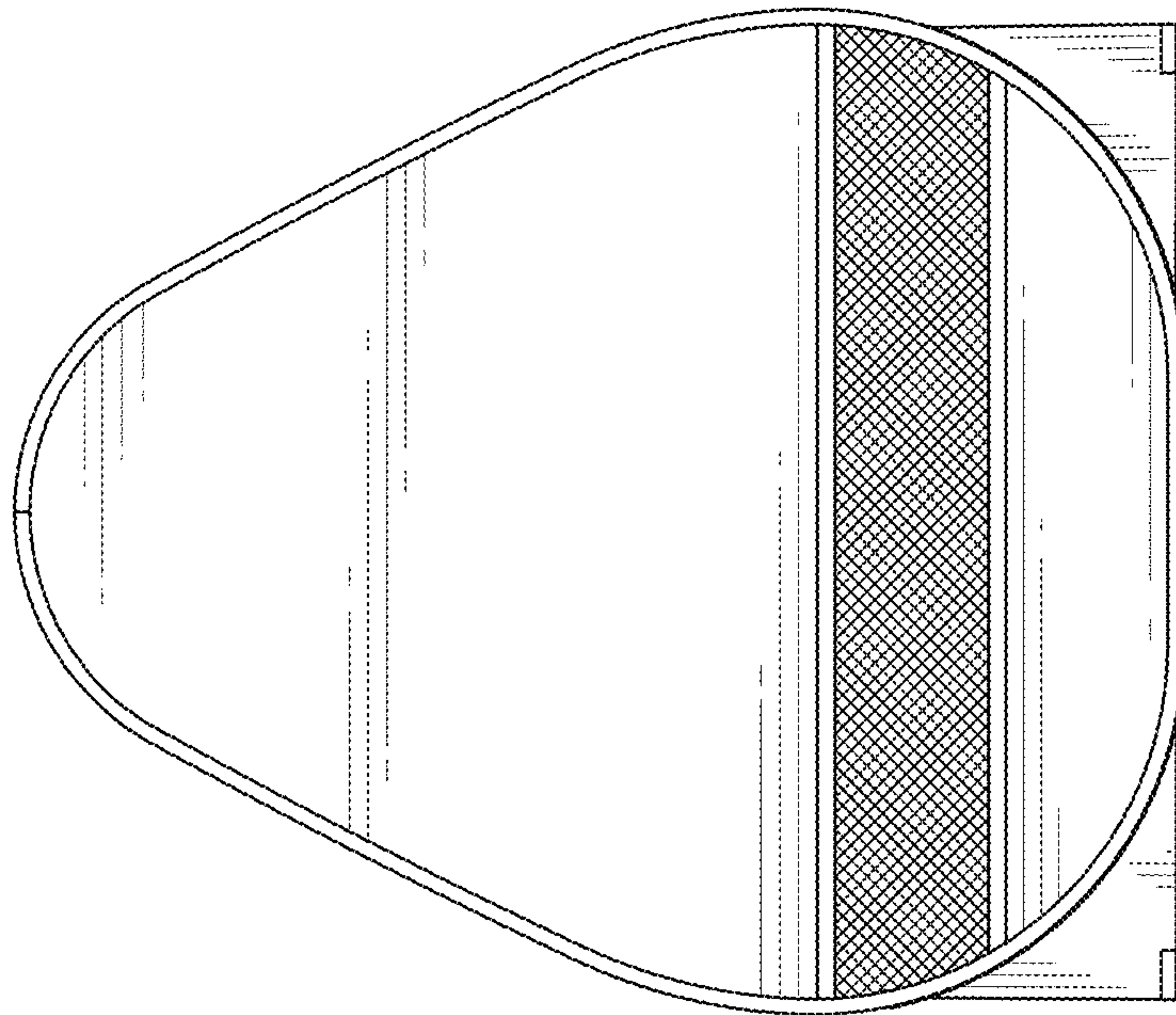


FIG. 5

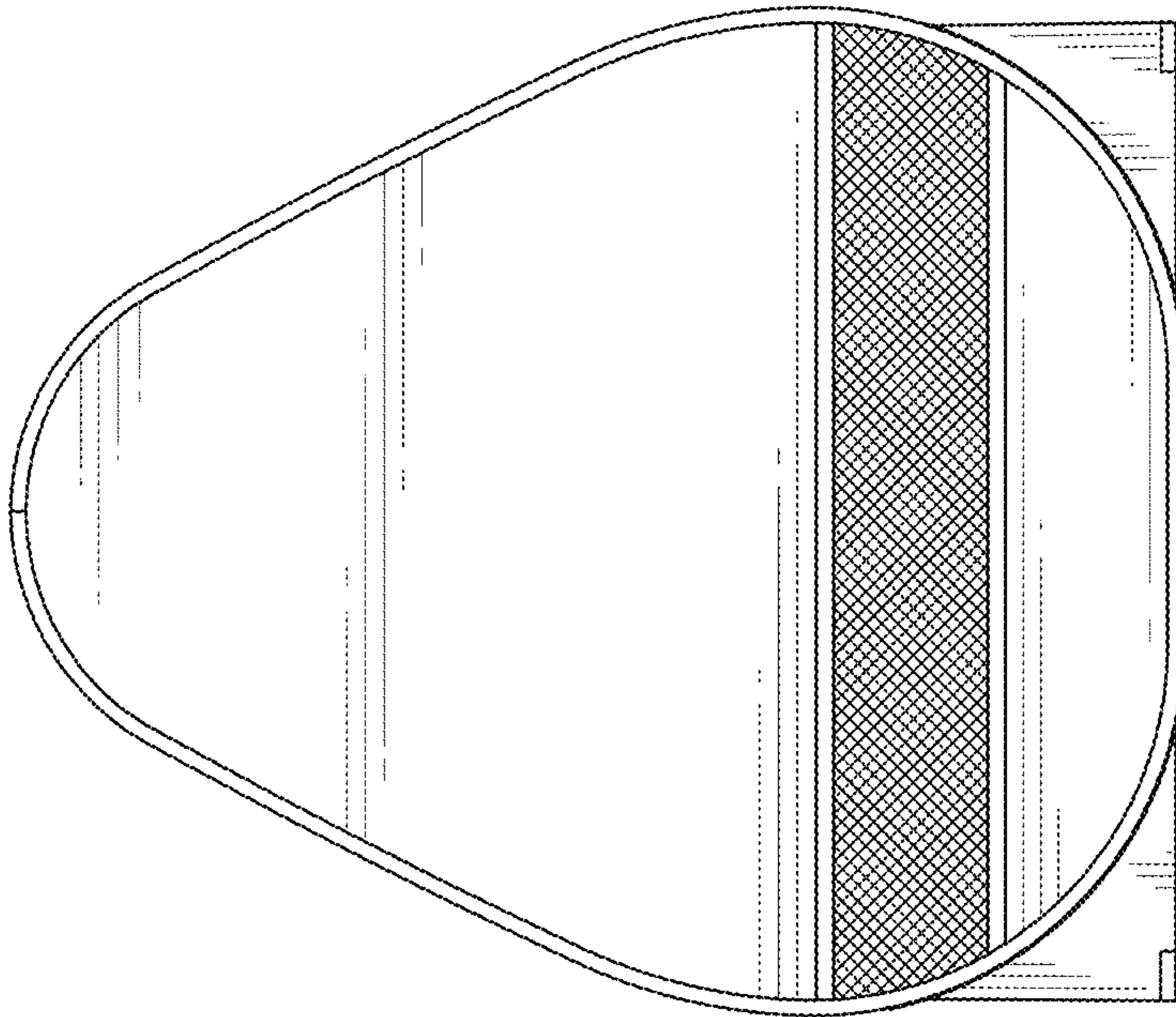


FIG. 6

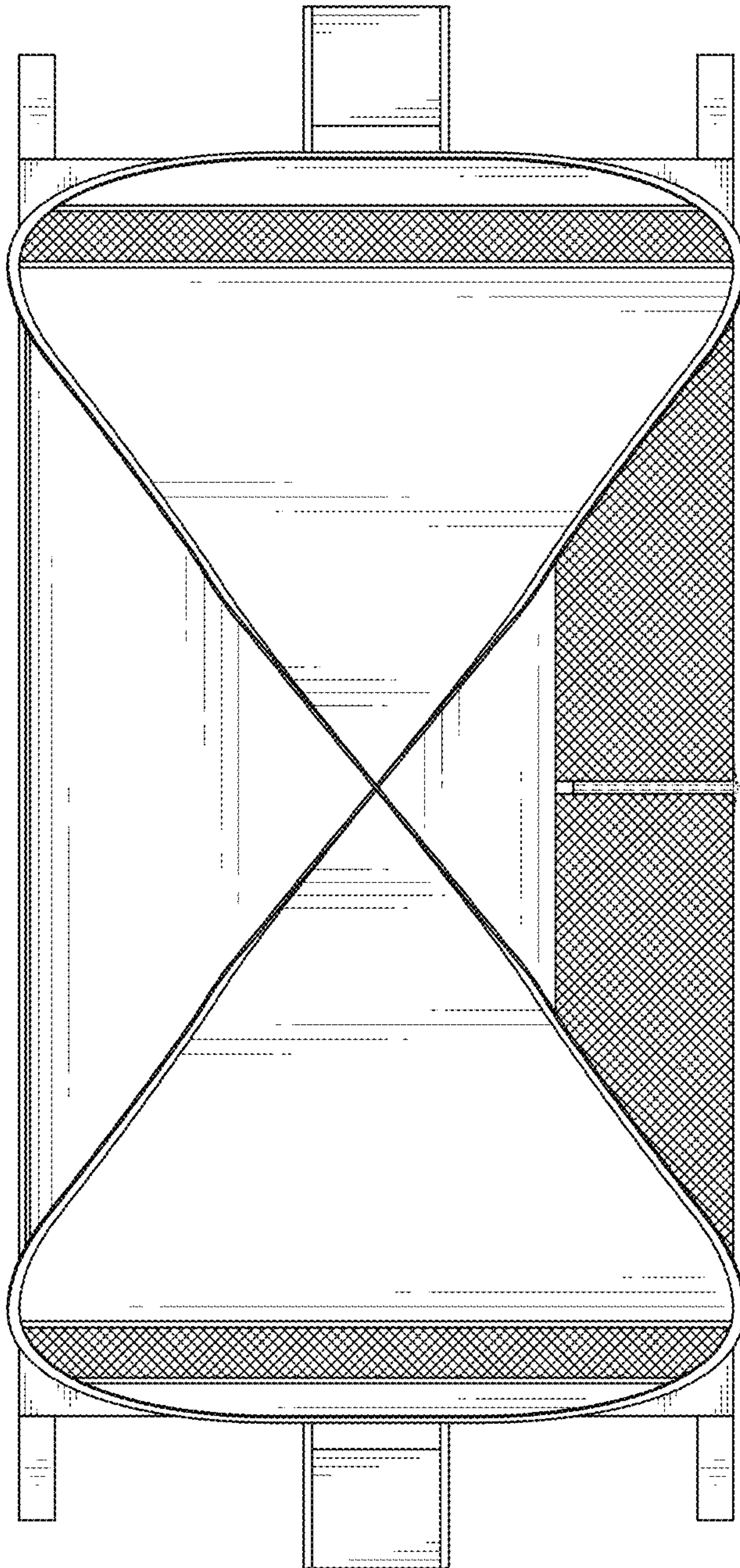


FIG. 7

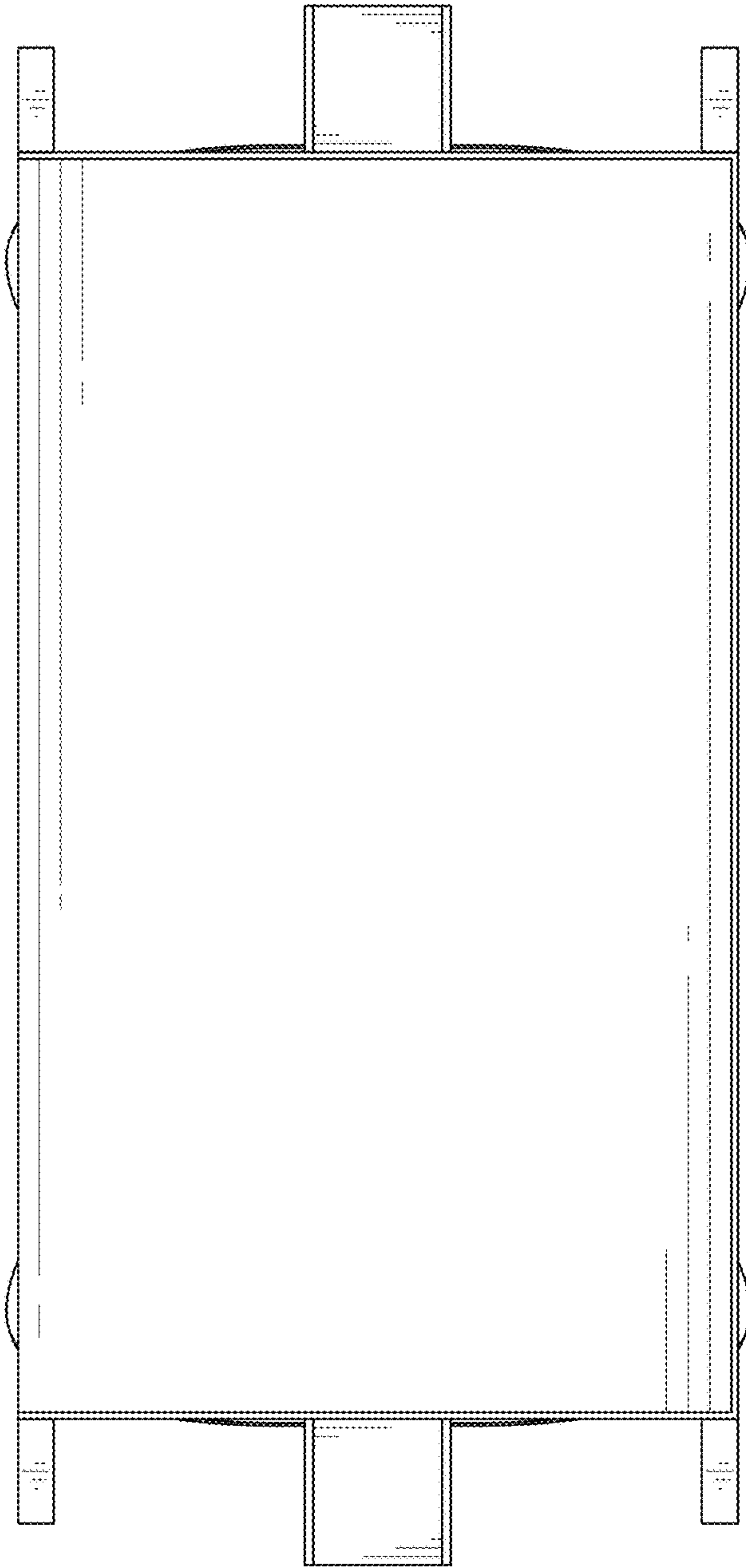


FIG. 8

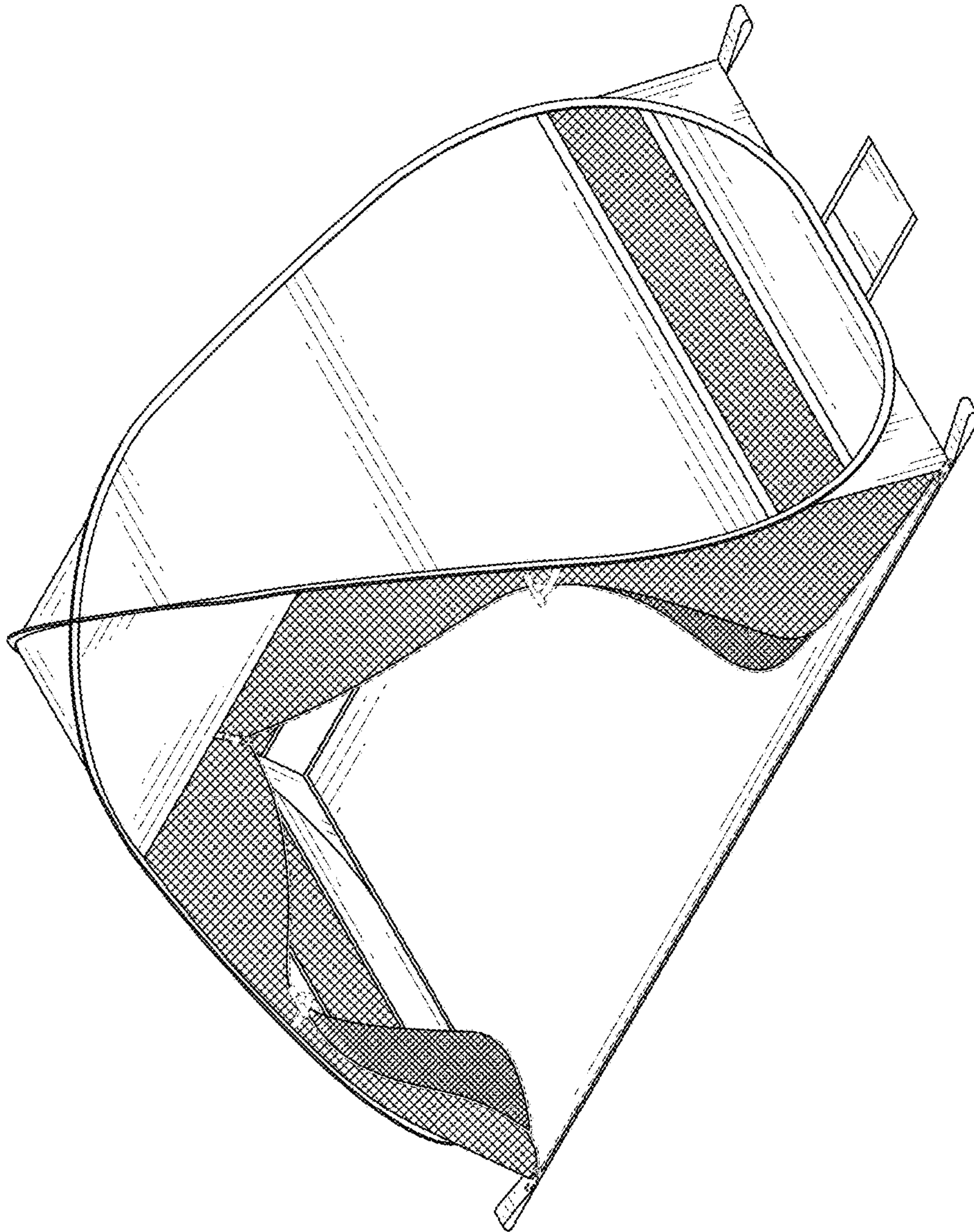


FIG. 9