



US00D823967S

(12) **United States Design Patent**  
**Zhou et al.**

(10) **Patent No.:** **US D823,967 S**  
(45) **Date of Patent:** **\*\* Jul. 24, 2018**

(54) **TENT FRAME** 5,421,356 A \* 6/1995 Lynch ..... E04H 15/50  
135/145

(71) Applicant: **Q-Yield Outdoor Gear Ltd., Xiamen (CN)** 5,944,040 A \* 8/1999 Jang ..... E04H 15/50  
135/126

(72) Inventors: **Nanqing Zhou, Xiamen (CN); Muhua Mao, Xiamen (CN); Ming Chen, Xiamen (CN)** 6,206,020 B1 \* 3/2001 Lynch ..... E04H 15/50  
135/128

(73) Assignee: **Q-YIELD OUTDOOR GEAR LTD., Xiamen, Fujian (CN)** 7,296,584 B2 \* 11/2007 Goldwitz ..... E04H 15/44  
135/121

(\*\*) Term: **15 Years** 7,395,830 B2 \* 7/2008 Seo ..... E04H 15/46  
135/120.3

(21) Appl. No.: **29/616,929** 8,220,477 B2 \* 7/2012 Park ..... E04H 15/50  
135/131

(22) Filed: **Sep. 11, 2017** 8,776,816 B2 \* 7/2014 Danziger ..... E04H 15/48  
135/139

(51) **LOC (11) Cl.** ..... **21-04** 9,243,422 B2 \* 1/2016 Hunt ..... E04H 15/18

(52) **U.S. Cl.** ..... **D21/834** 9,869,110 B2 \* 1/2018 Krenzel ..... E04H 15/18

(58) **Field of Classification Search** 2012/0291830 A1 \* 11/2012 Crimi ..... E04H 15/58  
135/117

USPC ..... **D21/834**

CPC ..... E04H 15/00; E04H 15/02; E04H 15/18;  
E04H 15/28; E04H 15/32; E04H 15/34;  
E04H 15/40; E04H 15/42; E04H 15/425;  
E04H 15/50

See application file for complete search history.

\* cited by examiner

*Primary Examiner* — Robin Valery Webster  
*Assistant Examiner* — Keith J Wilson  
(74) *Attorney, Agent, or Firm* — Leong C. Lei

(57) **CLAIM**

The ornamental design for a tent frame, as shown and described.

**DESCRIPTION**

FIG. 1 is a perspective view of tent frame showing my present design;  
FIG. 2 is a front view thereof;  
FIG. 3 is a rear view thereof;  
FIG. 4 is a left side view thereof;  
FIG. 5 is a right side view thereof;  
FIG. 6 is a top view thereof; and,  
FIG. 7 is a bottom view thereof.

**1 Claim, 7 Drawing Sheets**

(56) **References Cited**

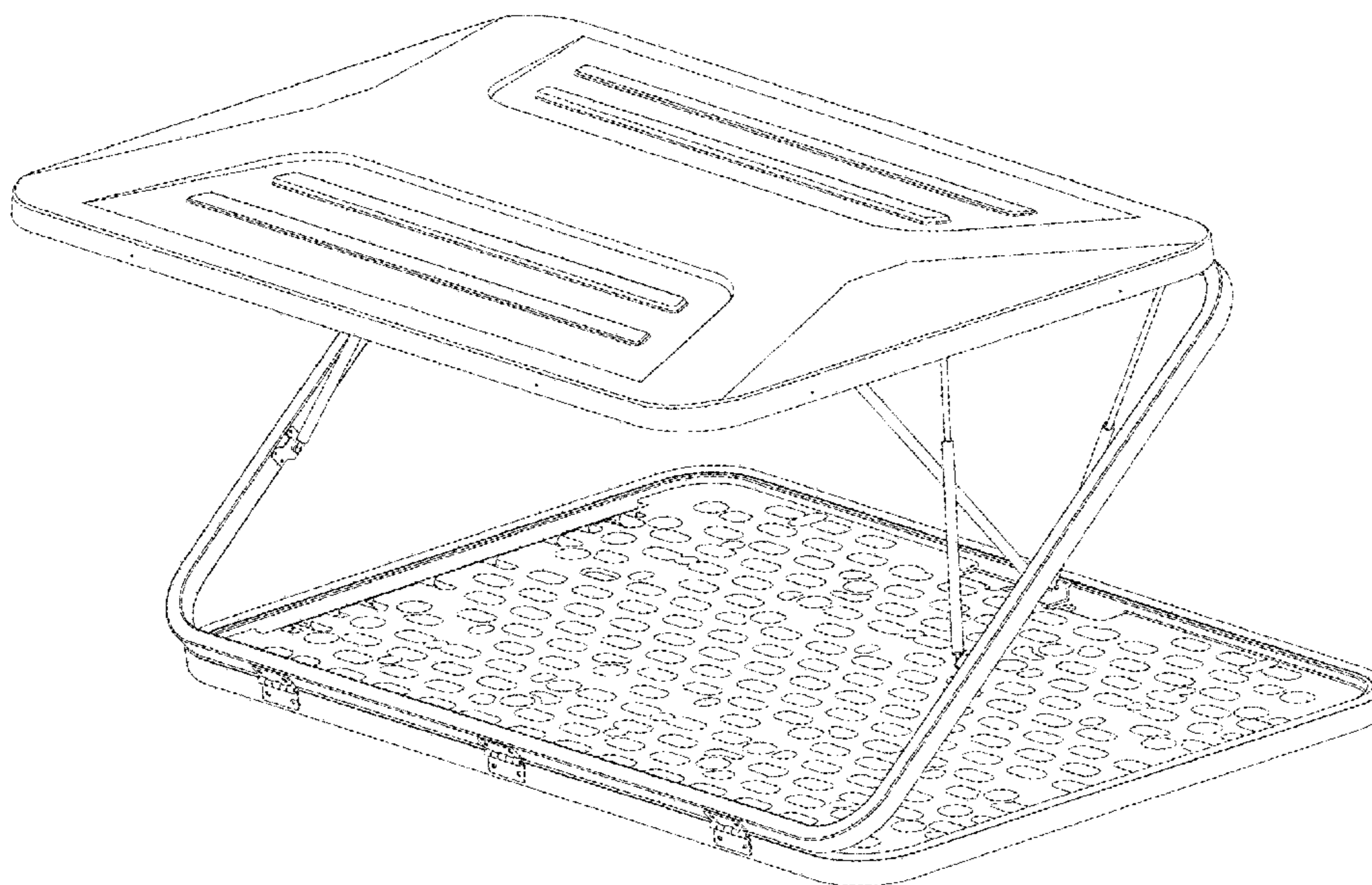
**U.S. PATENT DOCUMENTS**

4,286,612 A \* 9/1981 Neal ..... A01K 1/033  
135/115

4,641,676 A \* 2/1987 Lynch ..... E04H 15/50  
135/115

4,793,371 A \* 12/1988 O'Ferrell ..... E04H 15/44  
135/118

5,224,507 A \* 7/1993 Vosse ..... E04H 15/58  
135/115



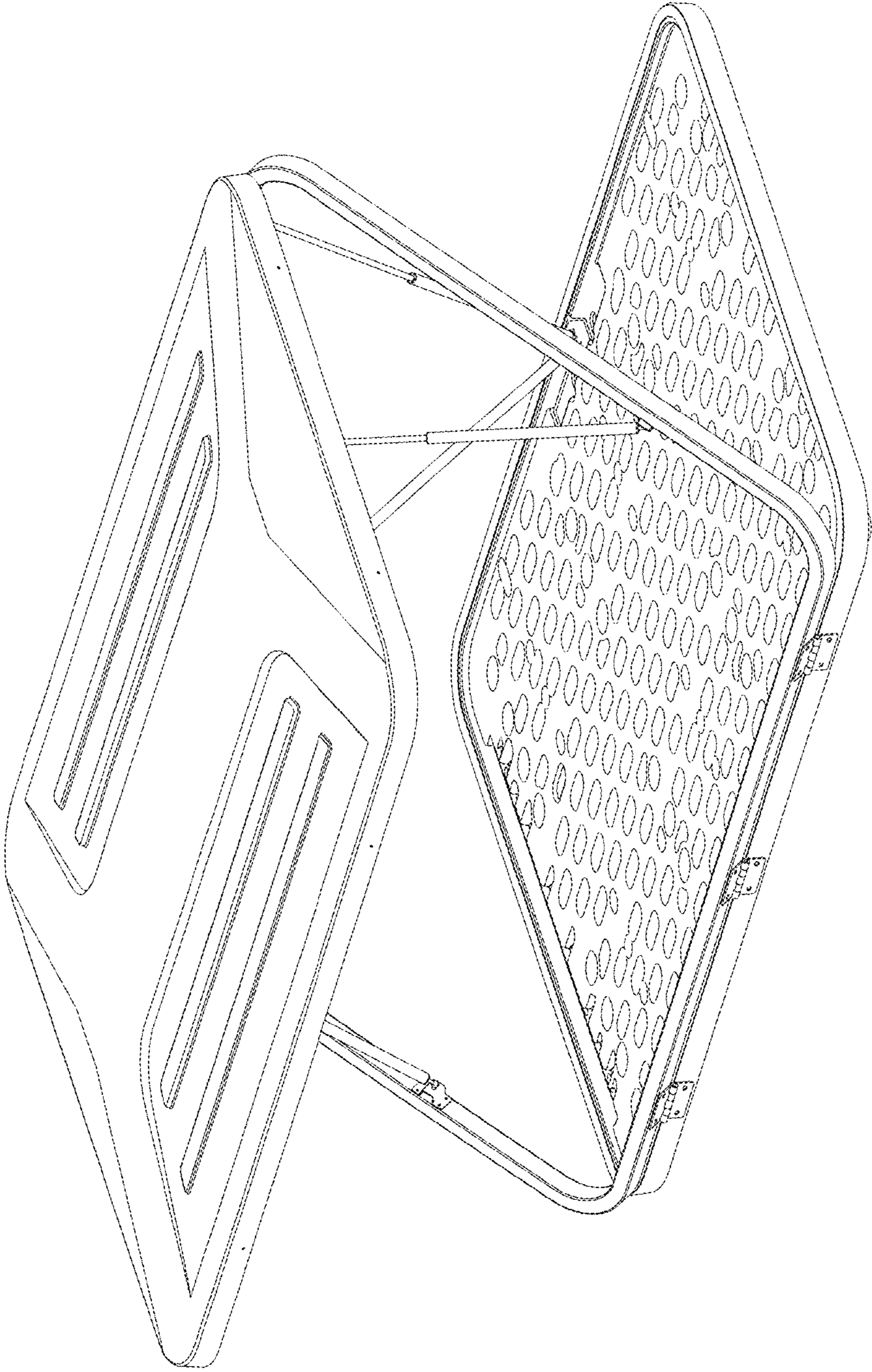


FIG. 1



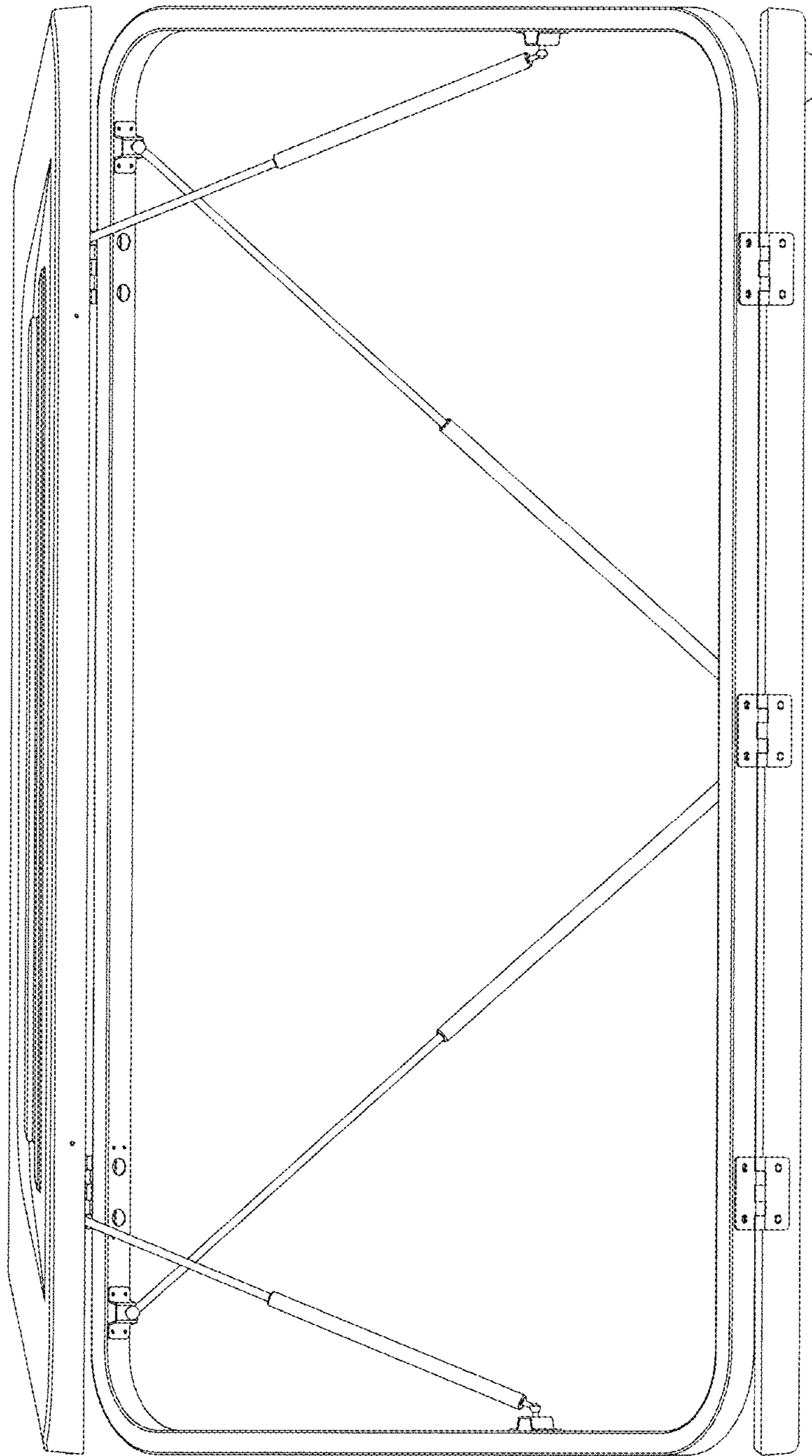


FIG. 2

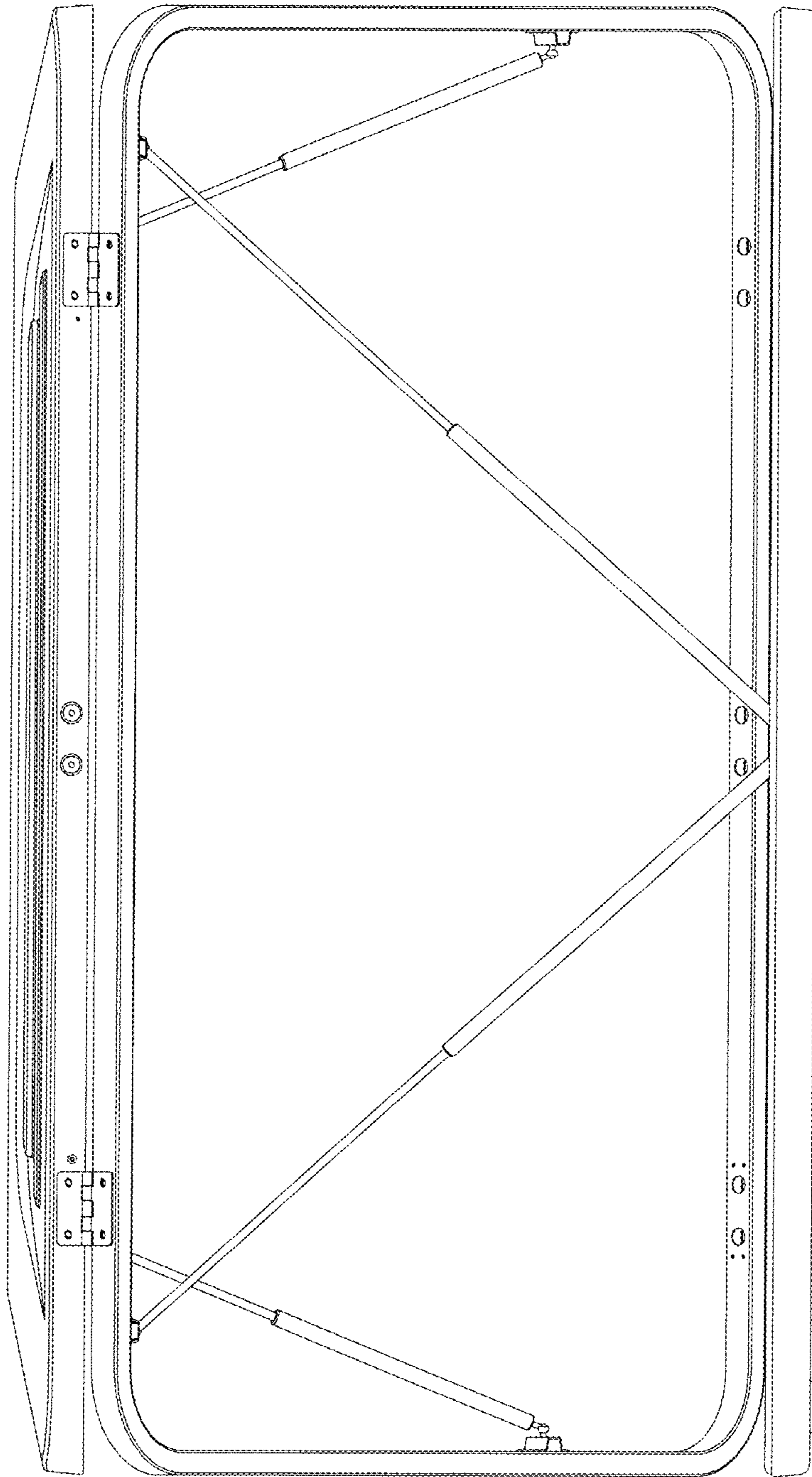


FIG. 3

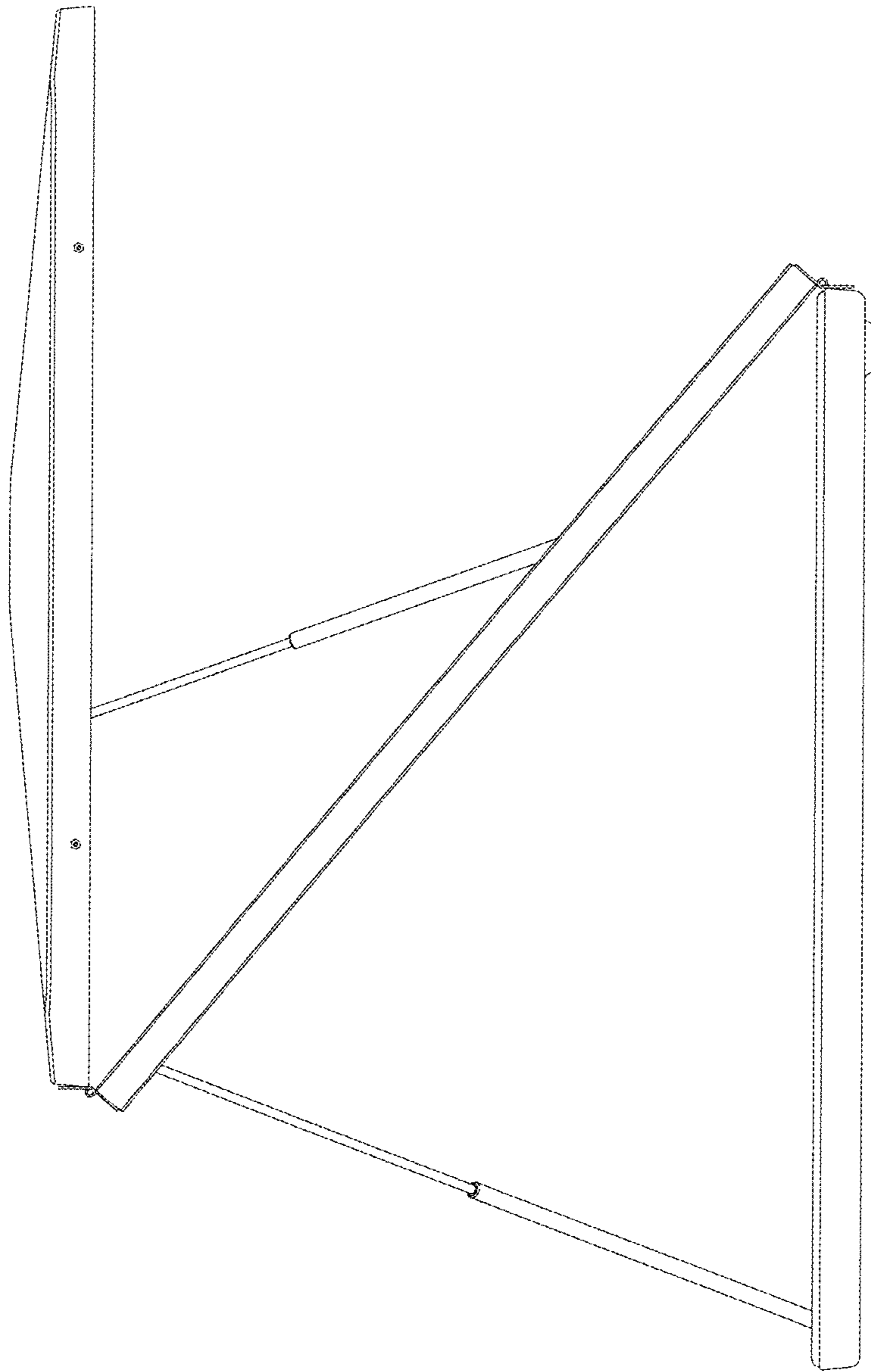


FIG. 4

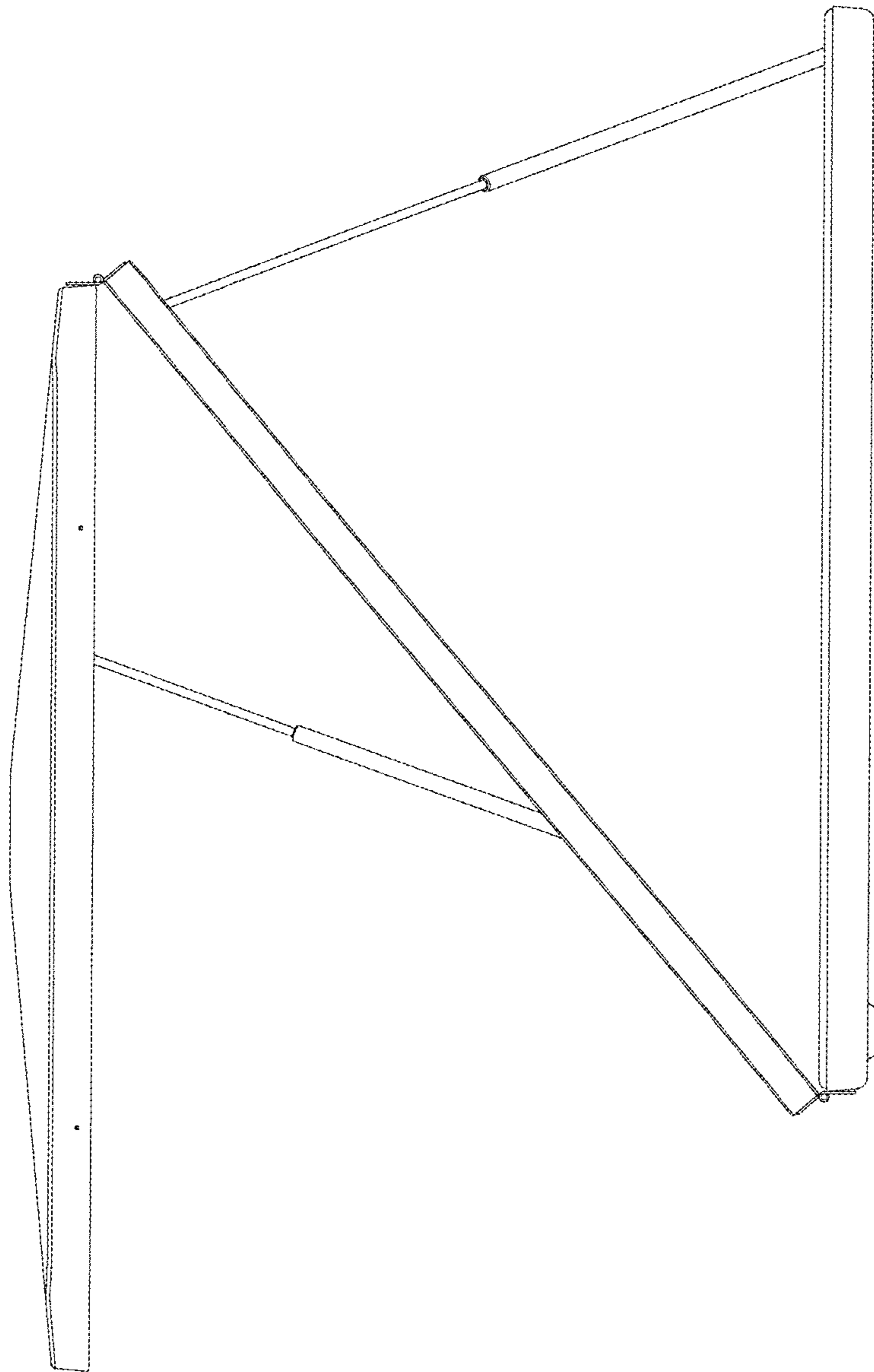


FIG. 5



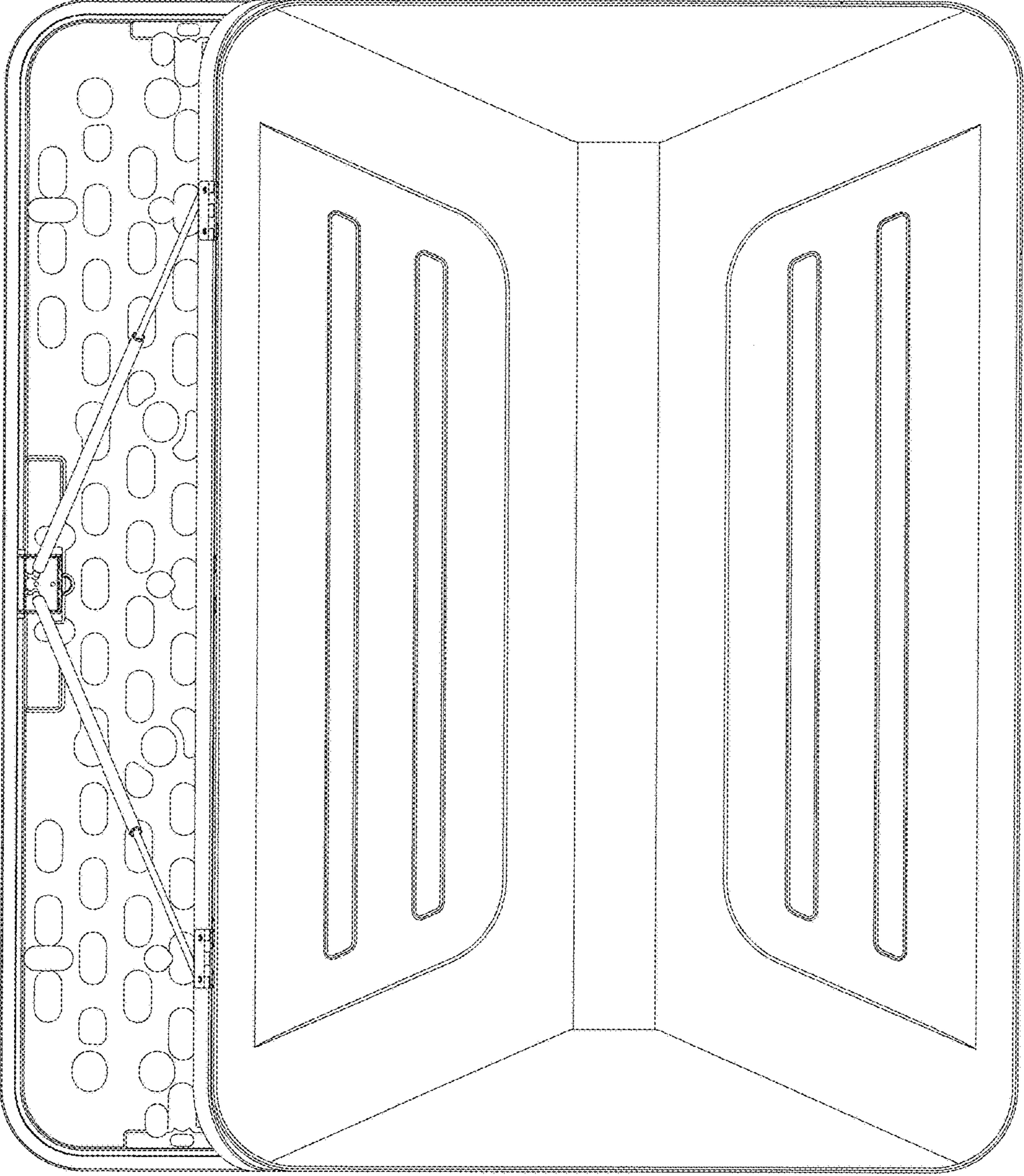


FIG. 6

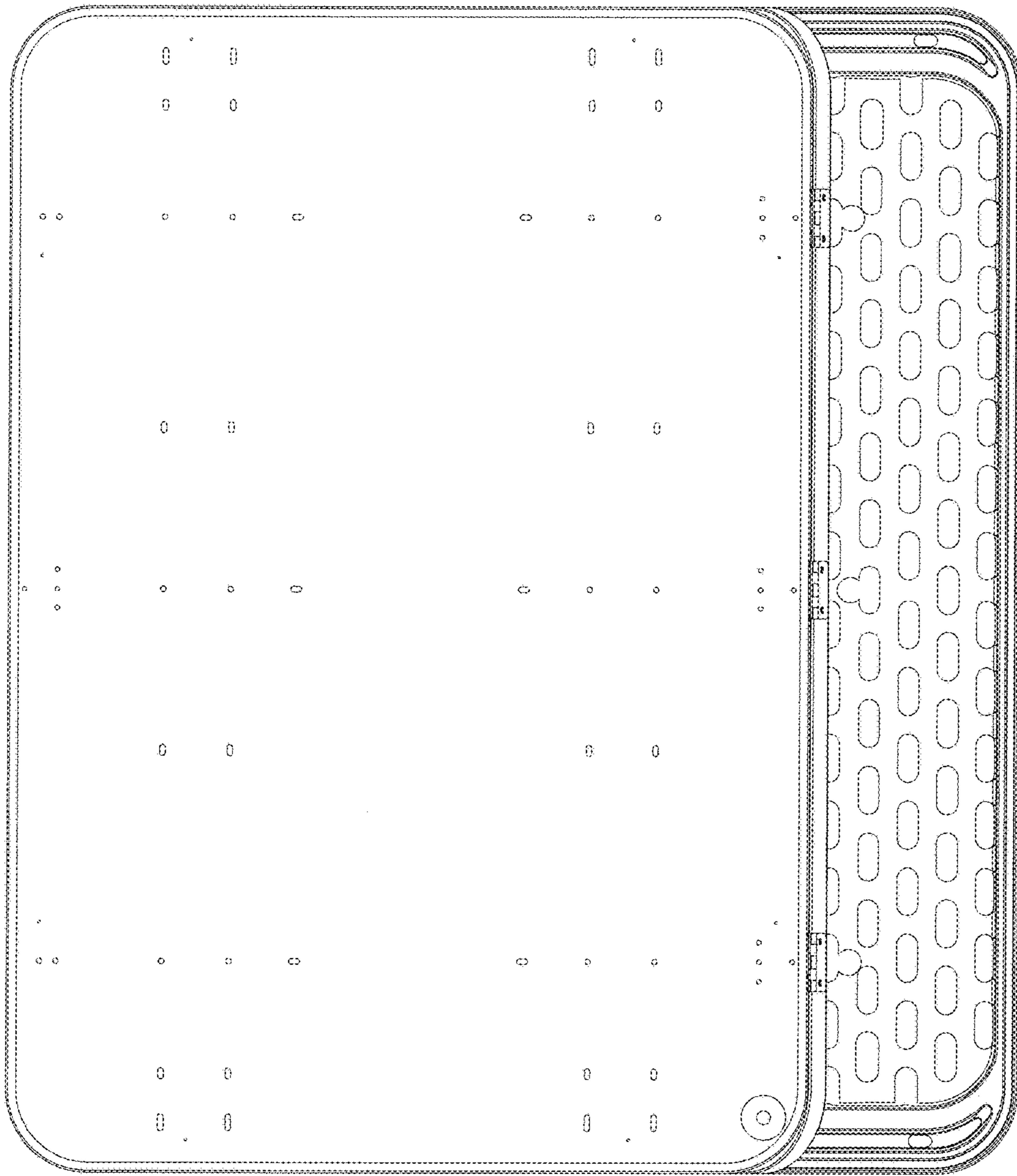


FIG. 7