



US00D823963S

(12) **United States Design Patent**  
**Seagram et al.**

(10) **Patent No.:** **US D823,963 S**

(45) **Date of Patent:** **\*\* Jul. 24, 2018**

- (54) **GOLF CLUB HEAD**
- (71) Applicant: **DUNLOP SPORTS CO. LTD.**,  
Kobe-shi, Hyogo (JP)
- (72) Inventors: **Phillip C. Seagram**, Huntington Beach,  
CA (US); **Mika Becktor**, New York,  
NY (US)
- (73) Assignee: **DUNLOP SPORTS CO. LTD.**, Kobe  
(JP)

D584,370 S *	1/2009	Cleveland	.....	D21/747
D619,667 S *	7/2010	Cleveland	.....	D21/747
D652,093 S *	1/2012	Foster	.....	D21/747
D654,547 S *	2/2012	Jertson	.....	D21/747
D690,379 S *	9/2013	Cleveland	.....	D21/747
8,657,700 B2 *	2/2014	Nicolette	.....	A63B 53/047 473/291
D704,784 S *	5/2014	Vrska	.....	D21/759
D753,249 S *	4/2016	Song	.....	D21/749
D767,066 S *	9/2016	Asazuma	.....	D21/759
D777,853 S *	1/2017	Wang	.....	D21/747
D798,404 S *	9/2017	Asatsuma	.....	D21/759
D803,962 S *	11/2017	Tang	.....	D21/759
D817,421 S *	5/2018	Tang	.....	D21/759

(\*\*) Term: **15 Years**

\* cited by examiner

(21) Appl. No.: **29/606,997**

*Primary Examiner* — Mitchell Siegel

(22) Filed: **Jun. 9, 2017**

(74) *Attorney, Agent, or Firm* — Oliff PLC

(51) **LOC (11) Cl.** ..... **21-02**

(57) **CLAIM**

(52) **U.S. Cl.**  
USPC ..... **D21/759**

The ornamental design for a golf club head, as shown and described.

(58) **Field of Classification Search**  
USPC ..... D21/747-751, 759  
CPC ..... A63B 53/00; A63B 53/02; A63B 53/04;  
A63B 53/047; A63B 53/0475; A63B  
2053/0479; A63B 2053/0483; A63B  
2053/0445; A63B 60/00; A63B 60/46  
See application file for complete search history.

**DESCRIPTION**

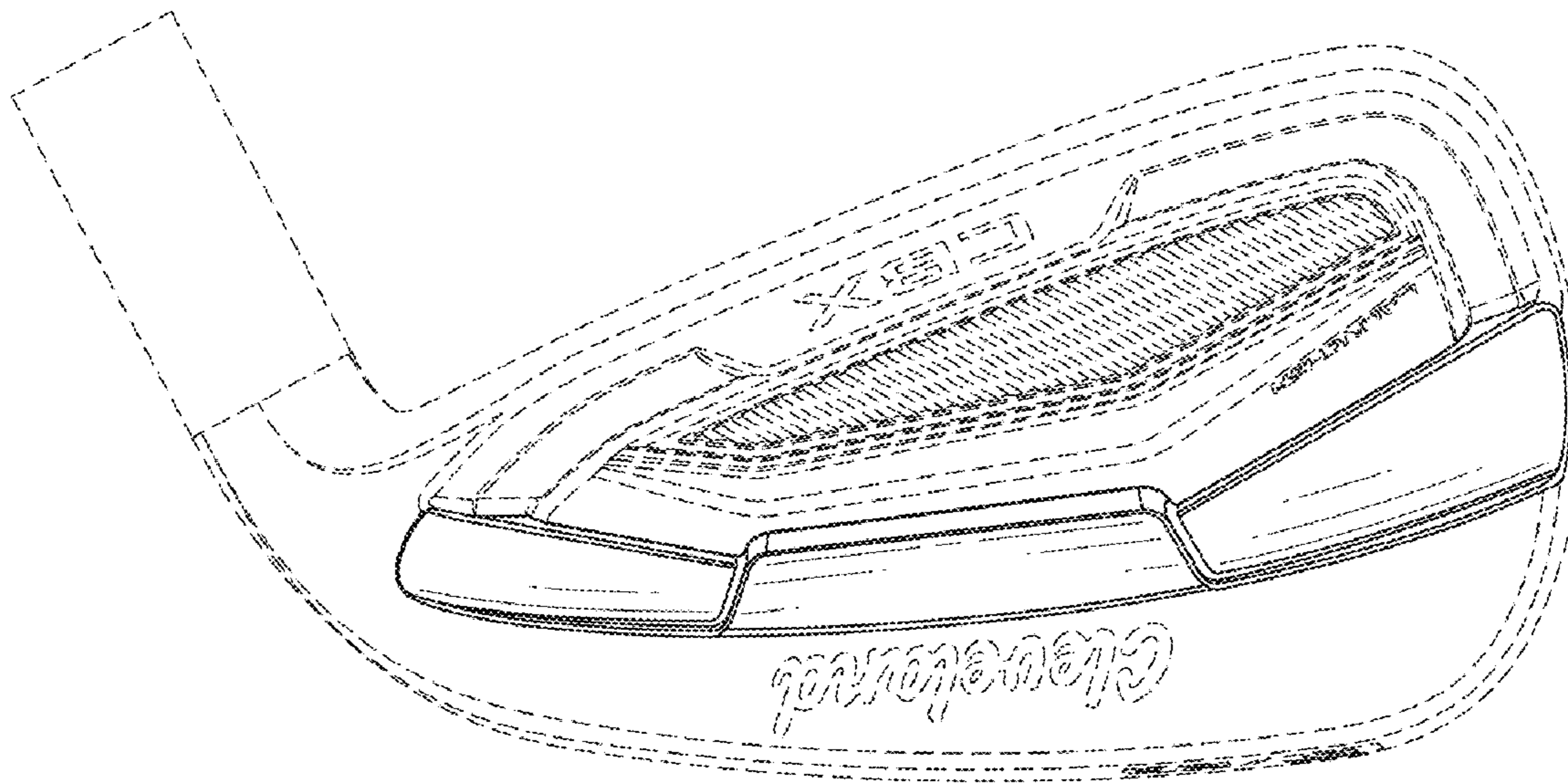
(56) **References Cited**

FIG. 1 is a bottom, rear perspective view of the golf club head;  
FIG. 2 is a rear elevational view thereof;  
FIG. 3 is a top plan view thereof;  
FIG. 4 is a toe-side elevational view thereof;  
FIG. 5 is a heel-side elevational view thereof; and,  
FIG. 6 is a bottom plan view thereof.  
The broken lines depict unclaimed parts of the golf club head, and thus form no part of the claimed design.

**U.S. PATENT DOCUMENTS**

D466,961 S *	12/2002	Nagai	.....	D21/759
D518,538 S *	4/2006	Ines	.....	D21/747
D577,087 S *	9/2008	Roach	.....	D21/749

**1 Claim, 5 Drawing Sheets**



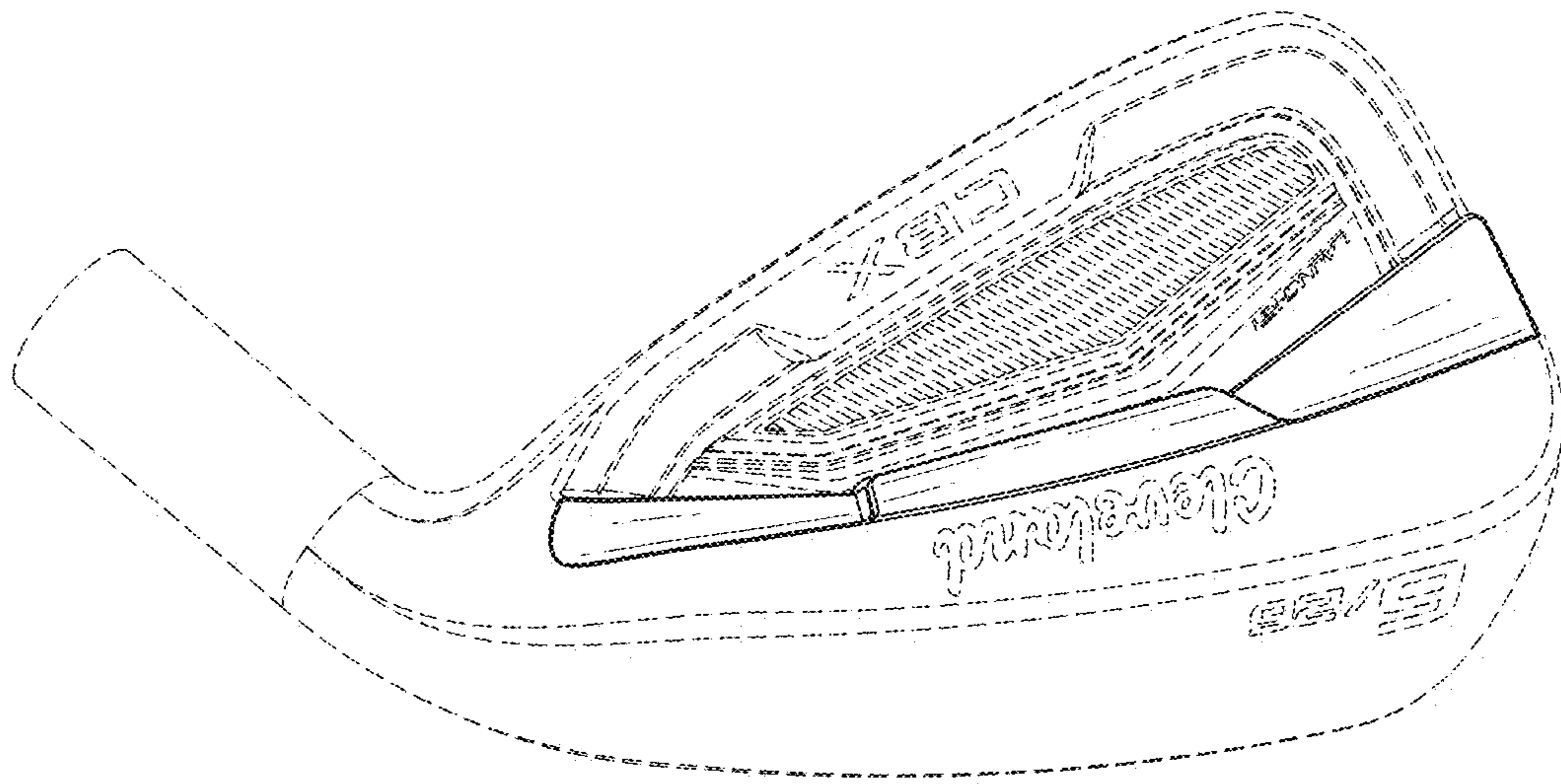


FIG. 1

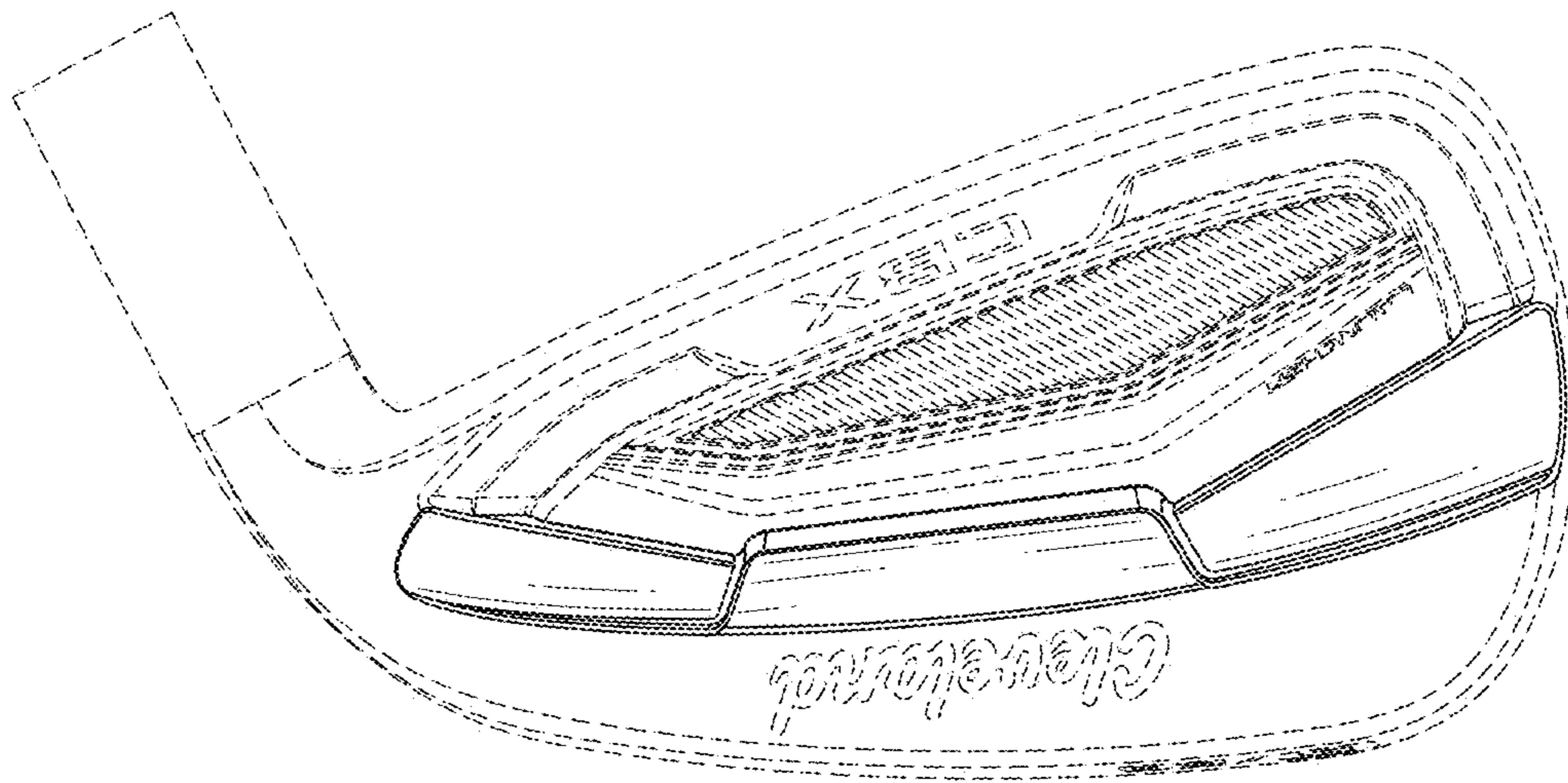


FIG. 2

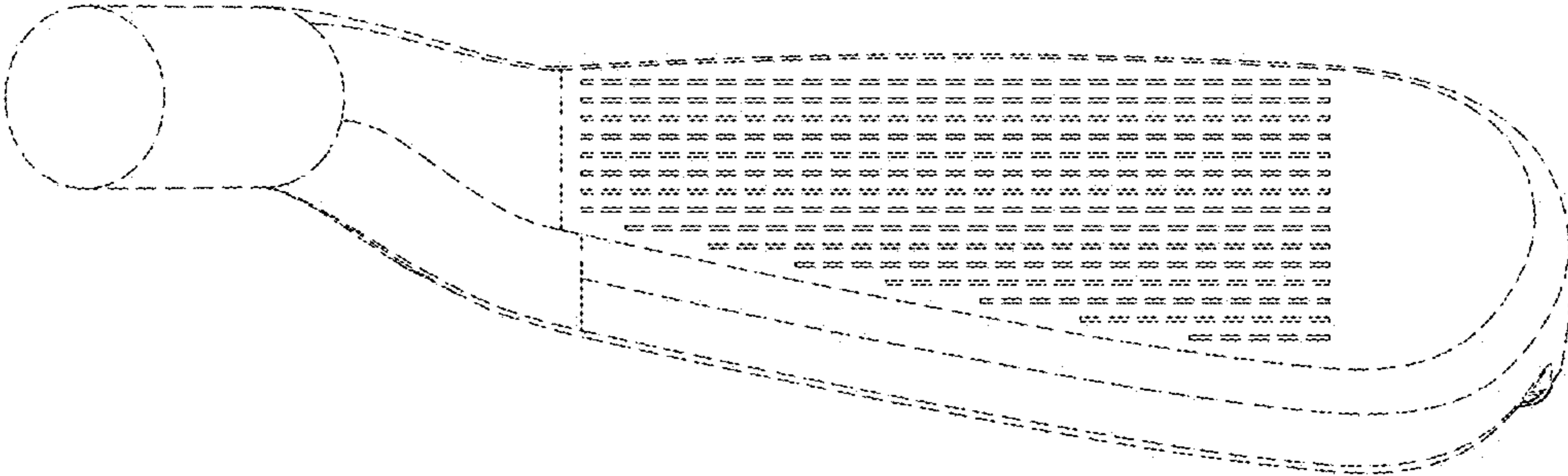


FIG. 3

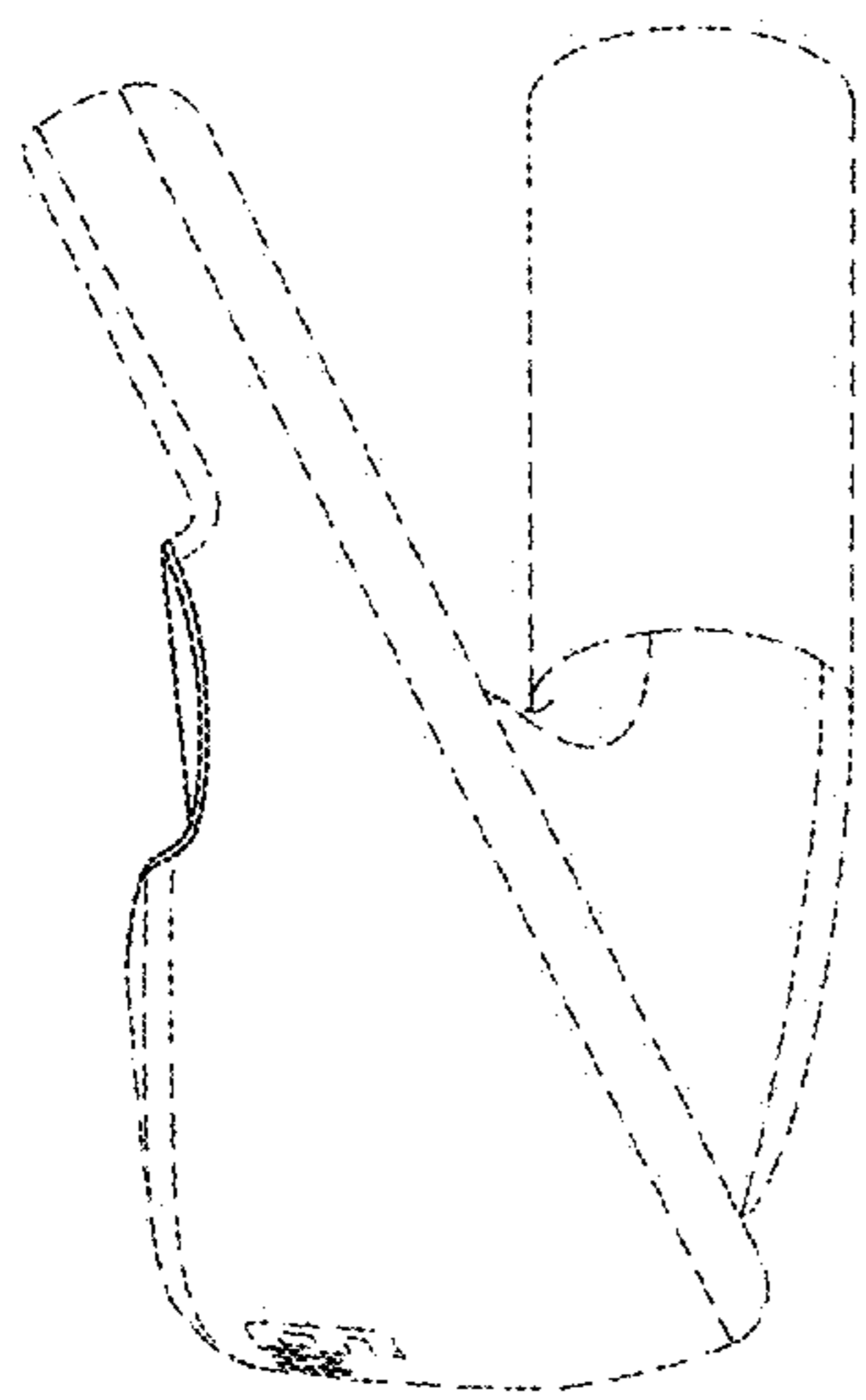


FIG. 4

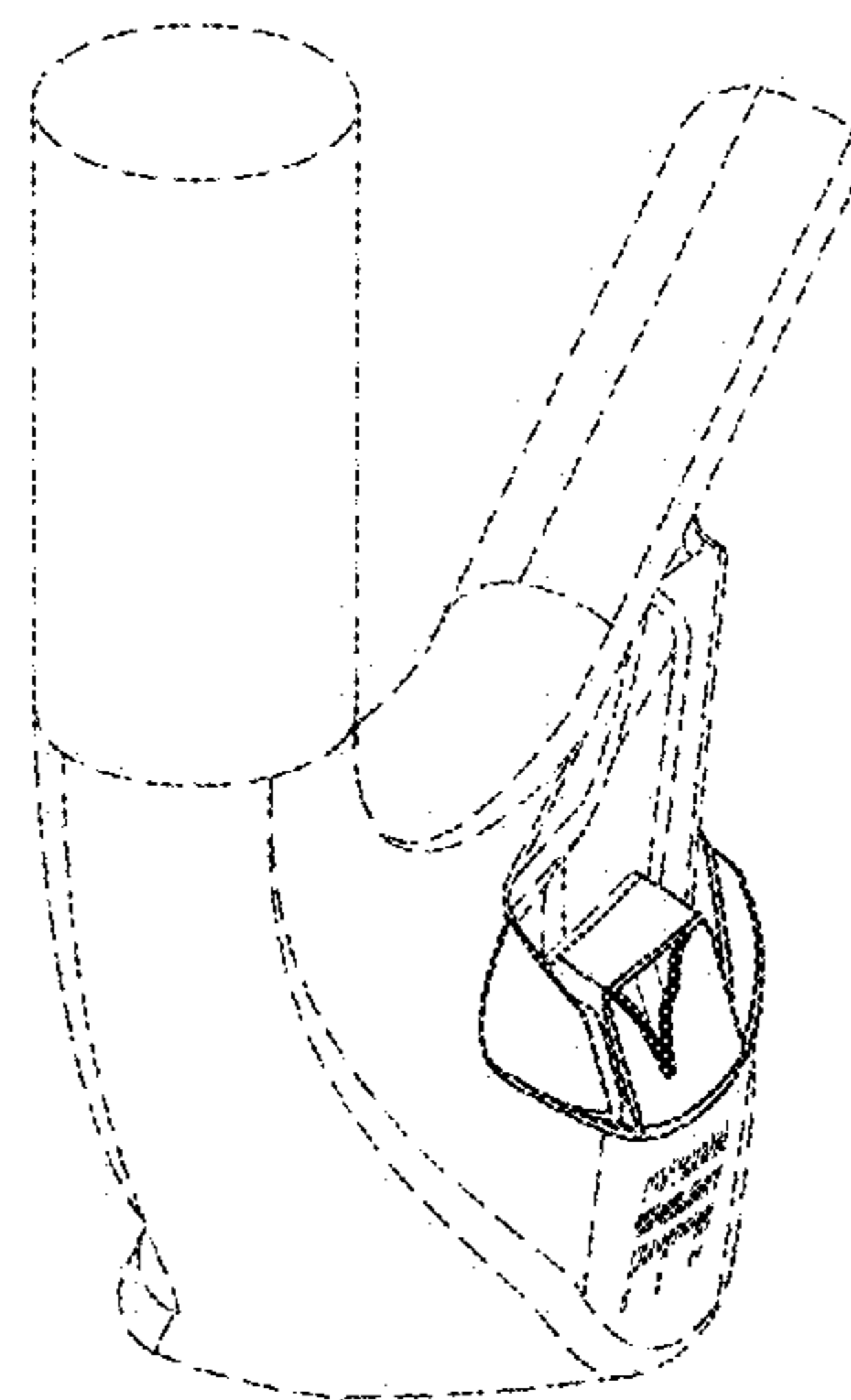


FIG. 5

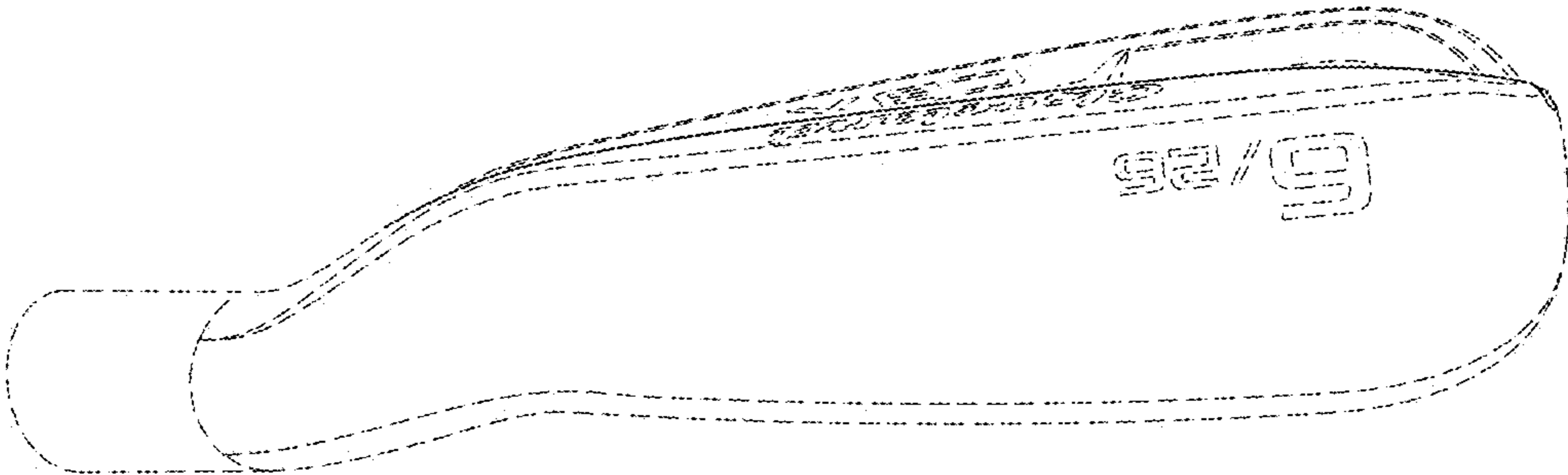


FIG. 6