



US00D823959S

(12) **United States Design Patent**
Chorne

(10) **Patent No.:** **US D823,959 S**

(45) **Date of Patent:** **** Jul. 24, 2018**

(54) **WEIGHTED SPORTS RACKET**

(71) Applicant: **Robert Chorne**, Freeport, NY (US)

(72) Inventor: **Robert Chorne**, Freeport, NY (US)

(**) Term: **15 Years**

(21) Appl. No.: **29/620,818**

(22) Filed: **Jun. 21, 2017**

(51) **LOC (11) Cl.** **21-02**

(52) **U.S. Cl.**

USPC **D21/753**; D21/729

(58) **Field of Classification Search**

USPC D21/729-732, 753

CPC A63B 49/00-49/14; A63B

2049/0201-2049/103; A63B 59/80; A63B

59/00; A63B 59/40; A63B 59/42; A63B

59/45; A63B 60/00; A63B 60/46; A63B

51/00; A63B 2102/00; A63B 2102/10;

A63B 2102/12; A63B 2102/16; A63B

2102/26; A63B 2102/28; A63B 2102/30;

A63B 2102/38

See application file for complete search history.

(56) **References Cited**

U.S. PATENT DOCUMENTS

D24,641 S * 8/1895 Boller D21/729

5,492,324 A * 2/1996 Hagey A63B 49/08

473/551

D407,128 S * 3/1999 Ryu D21/729

D735,823 S * 8/2015 Malaby D21/729

D767,059 S * 9/2016 Murphy, Jr. D21/753

D767,060 S * 9/2016 Murphy, Jr. D21/753

D777,271 S * 1/2017 Murphy, Jr. D21/729

D779,607 S * 2/2017 Murphy, Jr. D21/729

* cited by examiner

Primary Examiner — Mitchell I. Siegel

(57) **CLAIM**

The ornamental design for a weighted sports racket, as shown and described.

DESCRIPTION

FIG. 1 is a front elevational view of the weighted sports racket;

FIG. 2 is an enlarged perspective view thereof;

FIG. 3 is a front elevational view of FIG. 2;

FIG. 4 is a rear elevational view of FIG. 2;

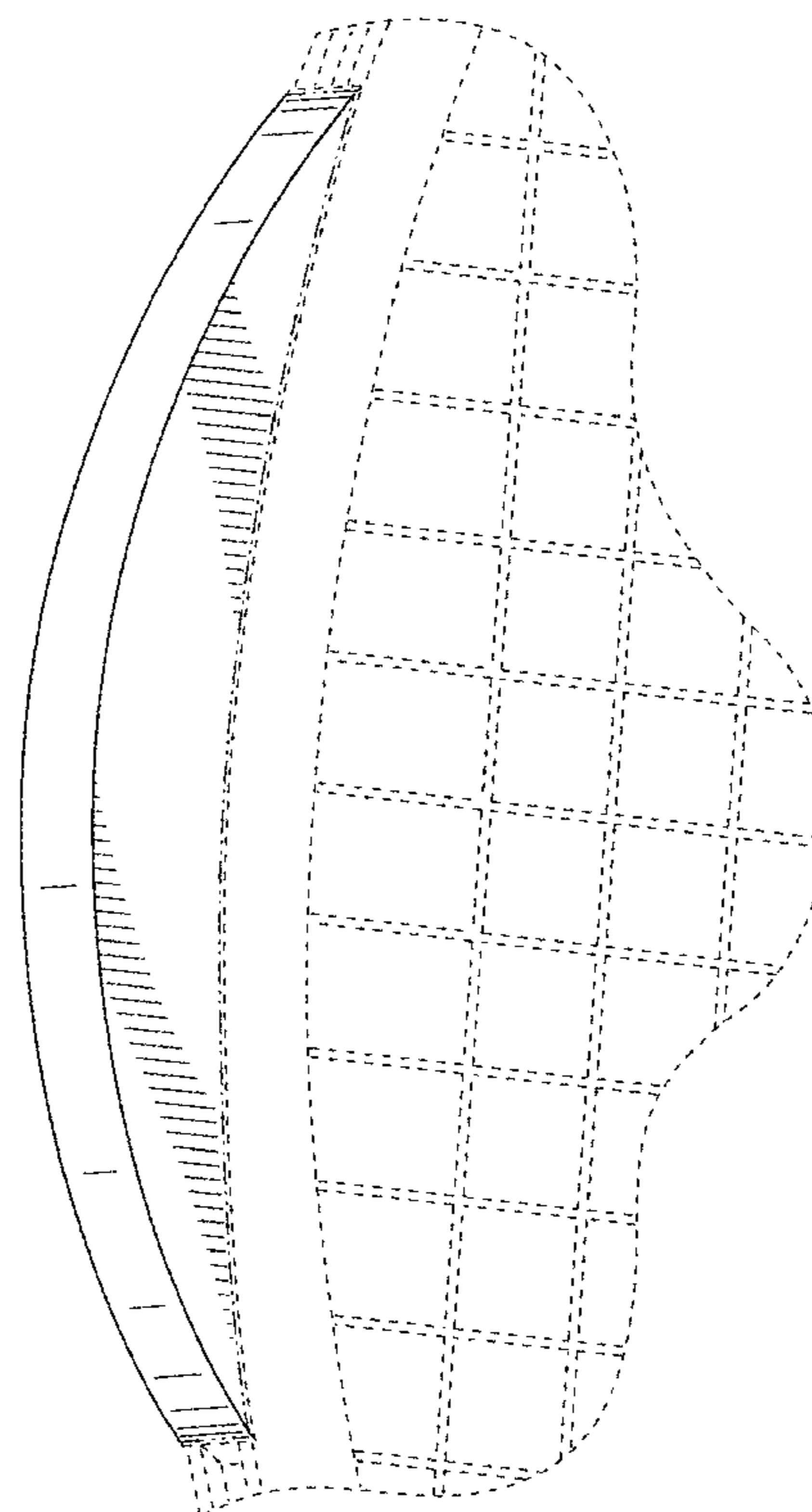
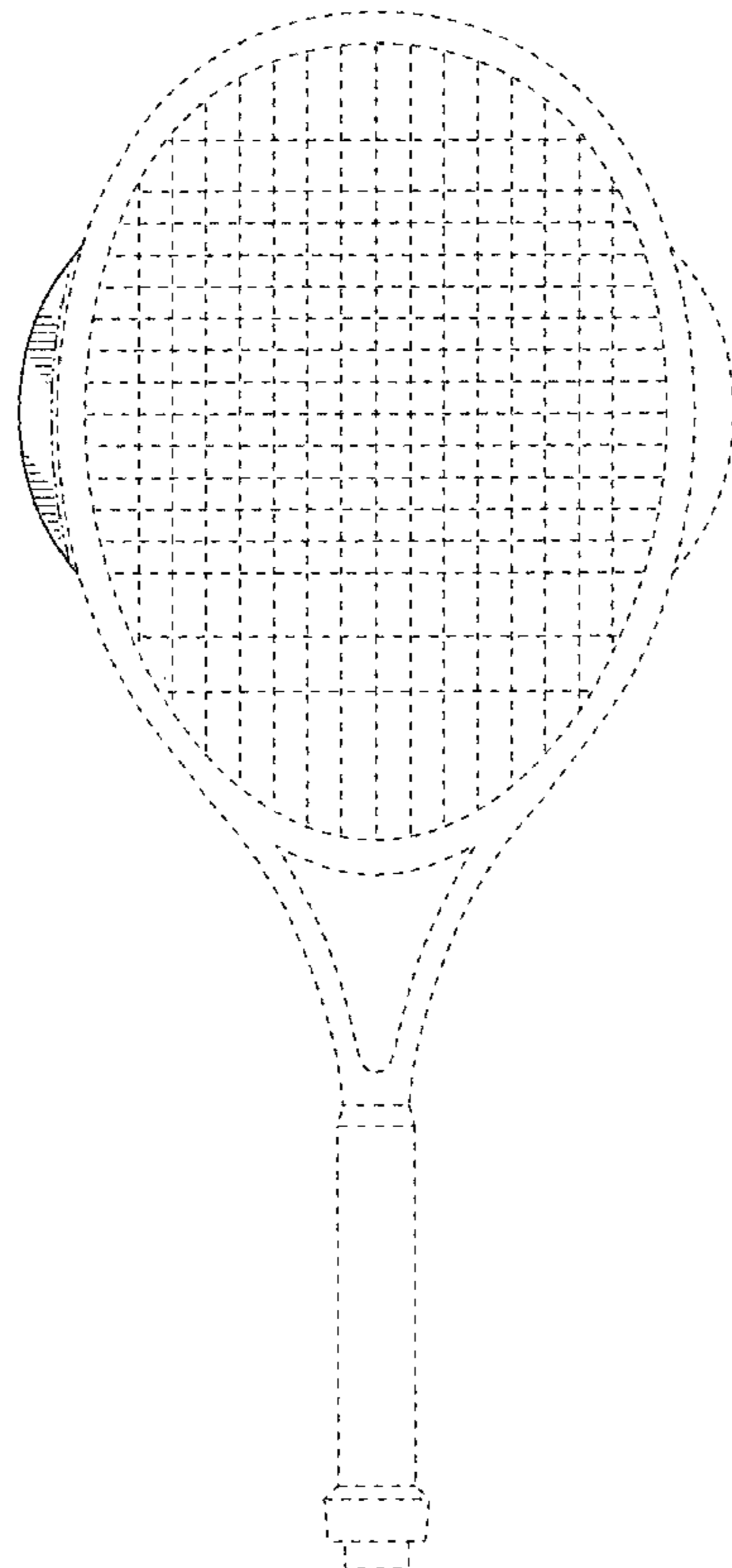
FIG. 5 is a side elevational view of FIG. 2;

FIG. 6 is a top plan view of FIG. 2; and,

FIG. 7 is a bottom plan view of FIG. 2.

The broken line showing is included for the purpose of illustrating an unclaimed sports racket and forms no part of the claimed design.

1 Claim, 6 Drawing Sheets



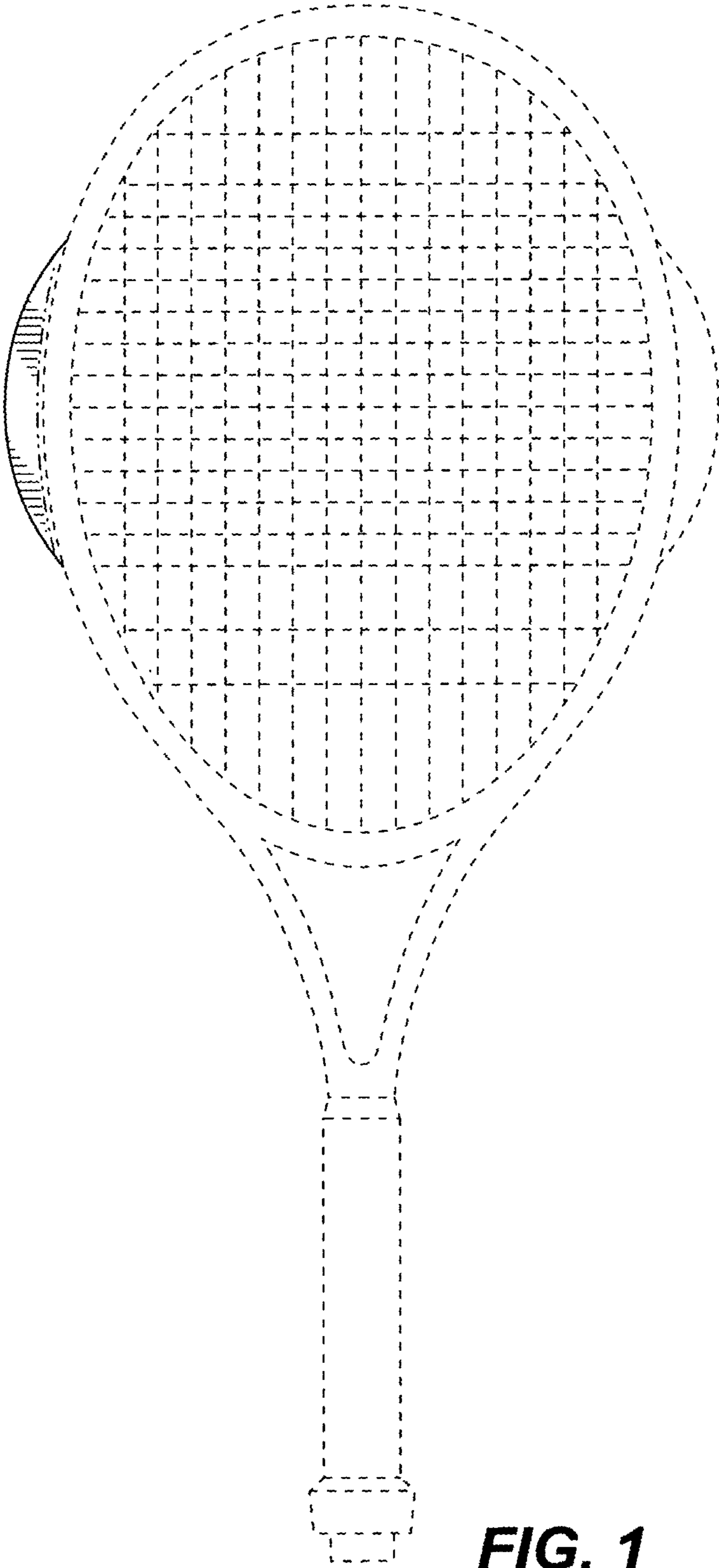


FIG. 1

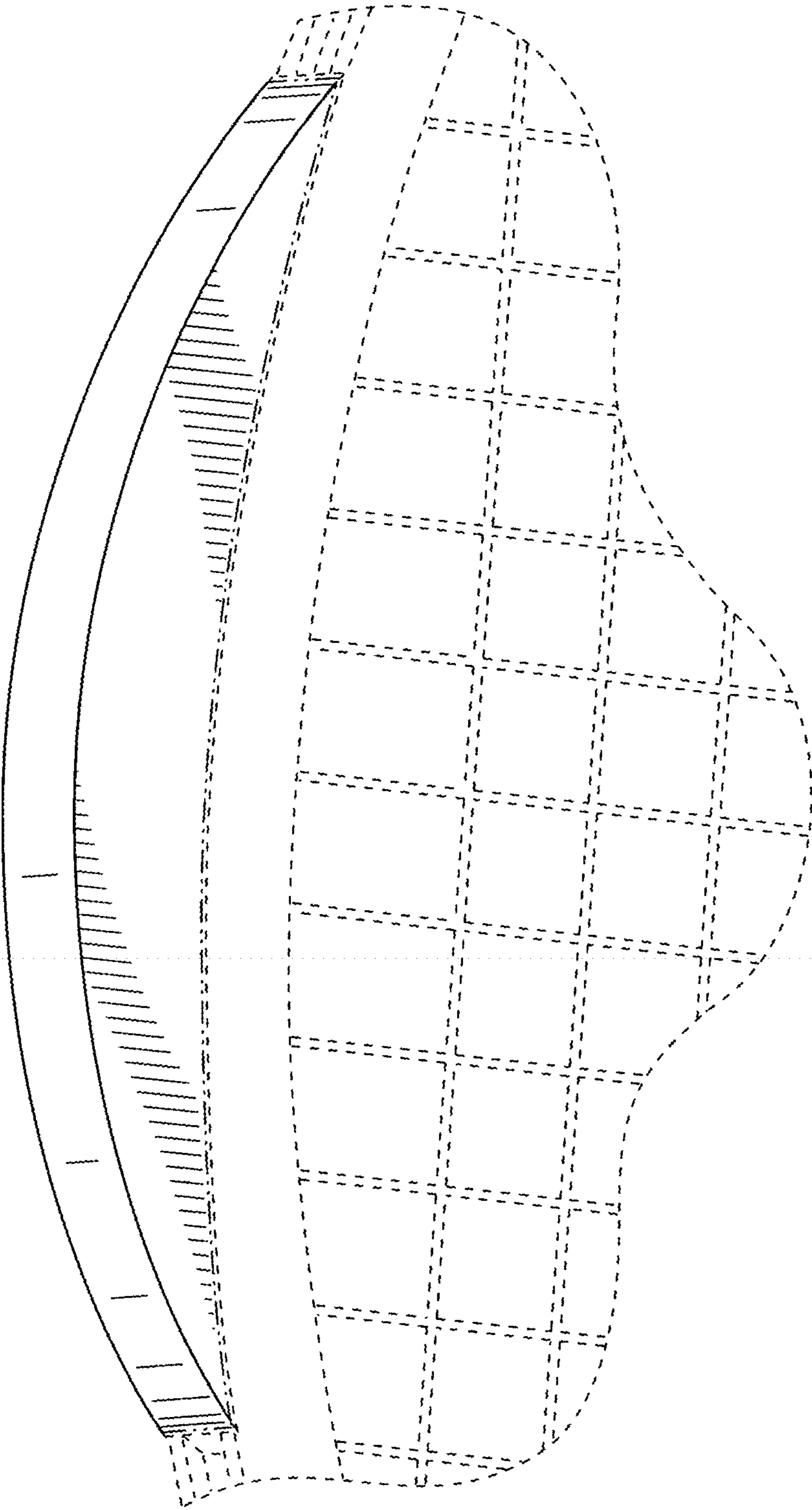


FIG. 2

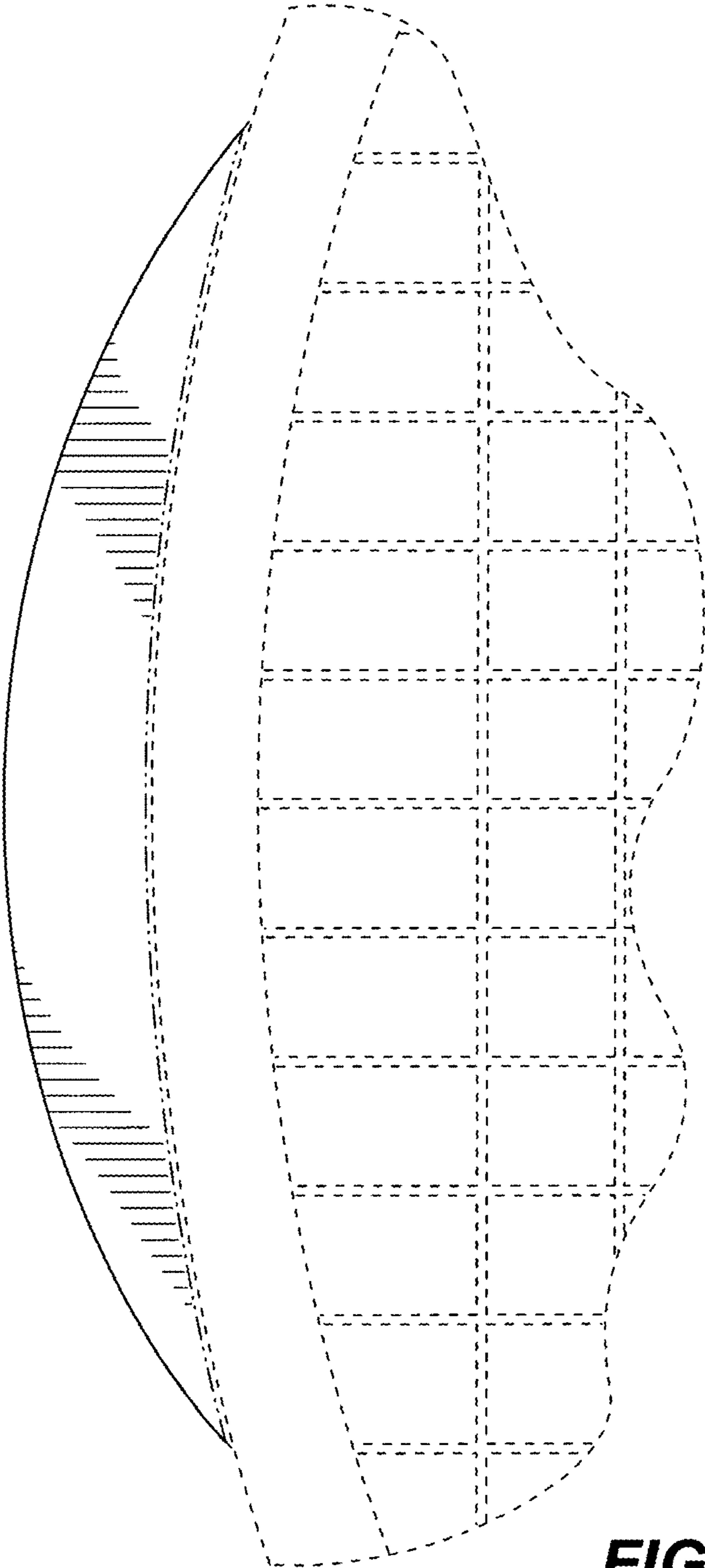


FIG. 3

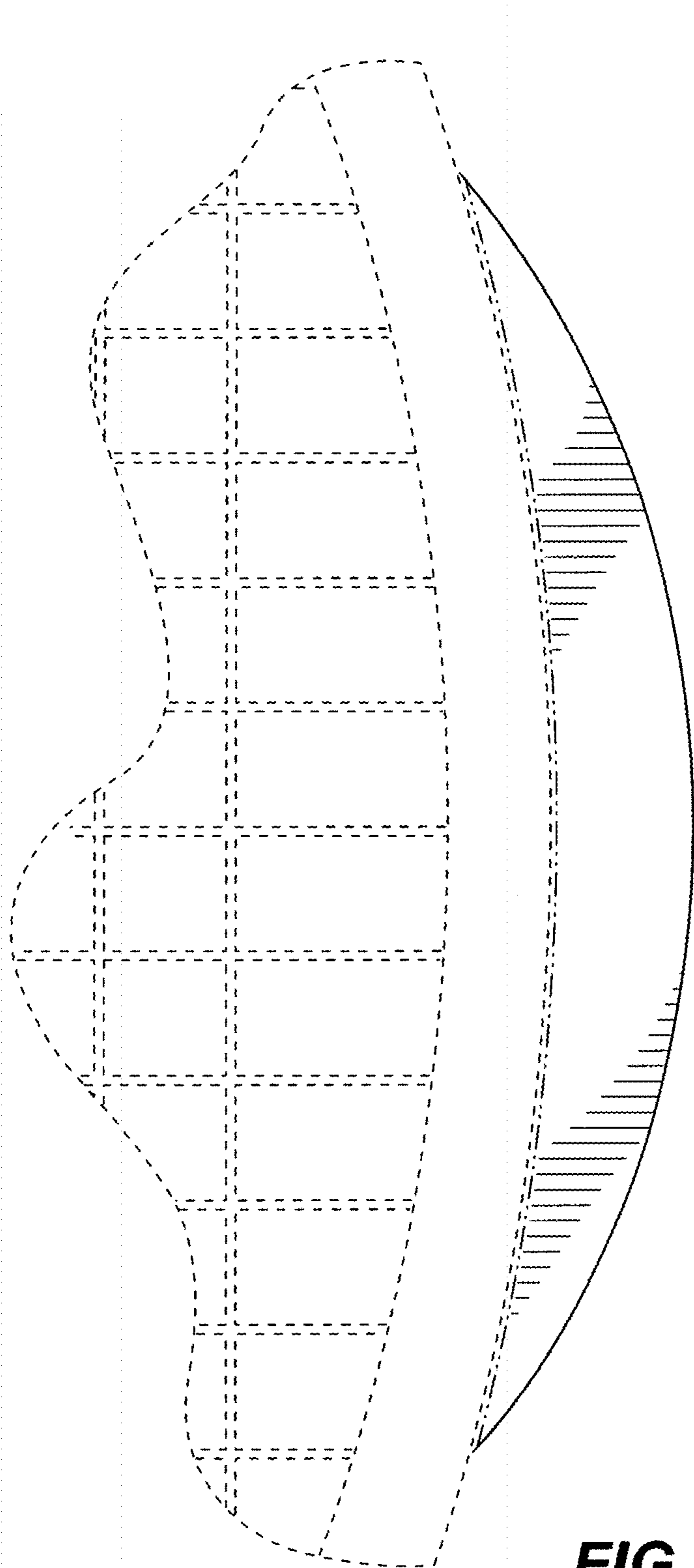


FIG. 4

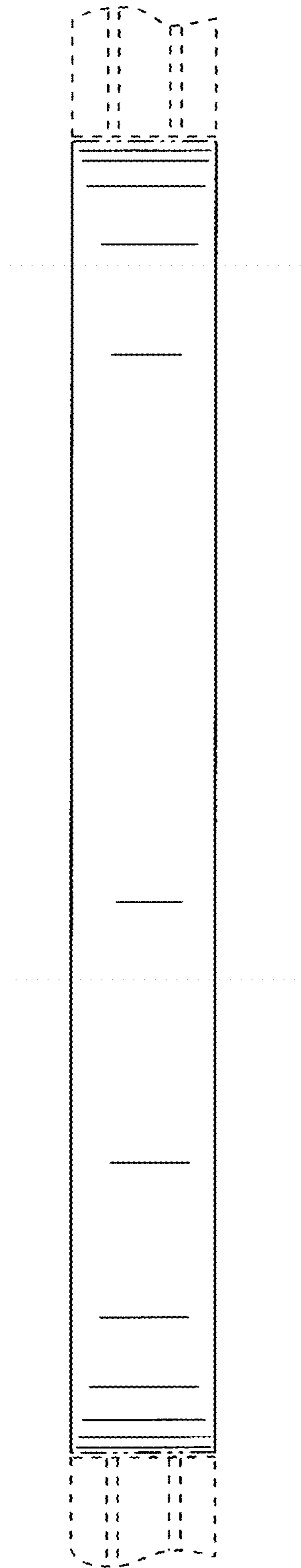


FIG. 5

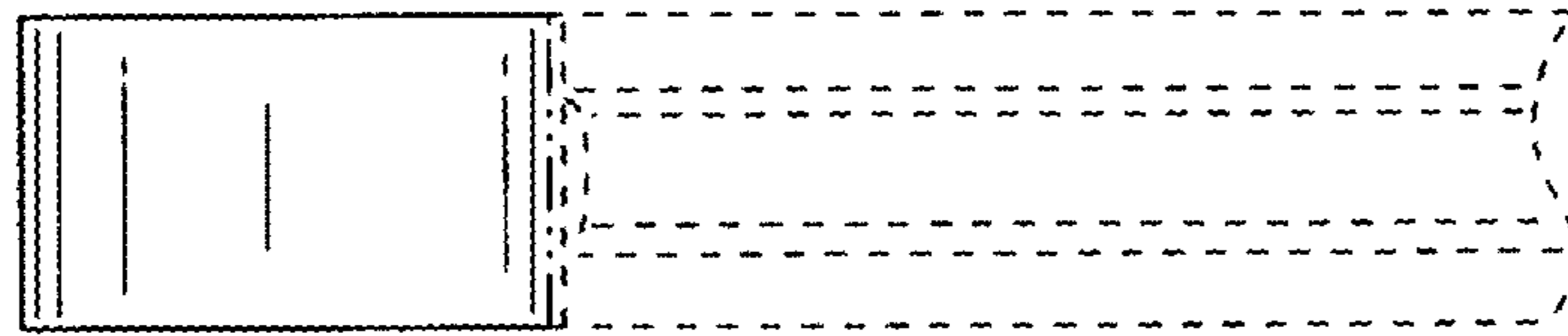


FIG. 6

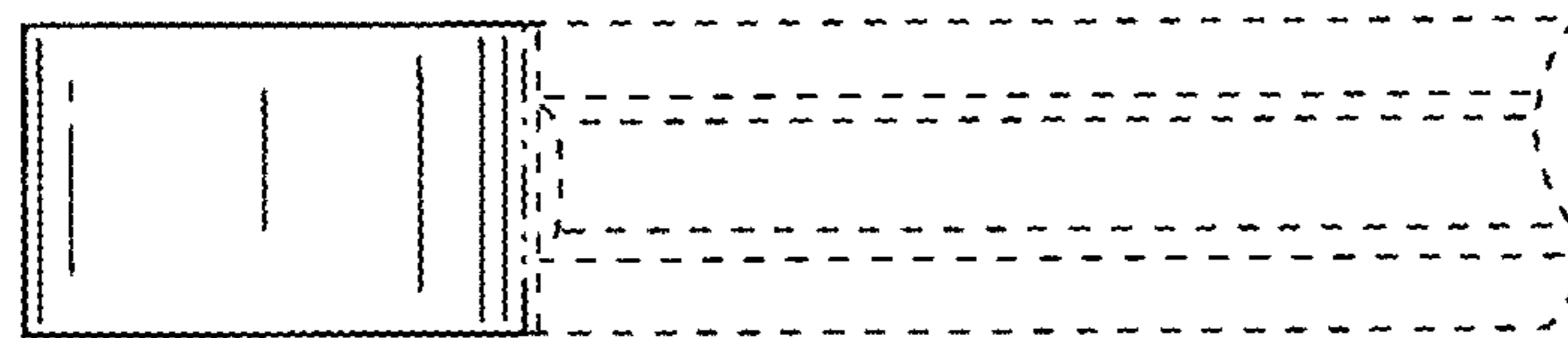


FIG. 7