



US00D823958S

(12) **United States Design Patent**  
**Stokke et al.**

(10) **Patent No.:** **US D823,958 S**  
(45) **Date of Patent:** **\*\* Jul. 24, 2018**

(54) **GOLF CLUB HEAD**  
(71) Applicant: **KARSTEN MANUFACTURING CORPORATION**, Phoenix, AZ (US)  
(72) Inventors: **Ryan M. Stokke**, Anthem, AZ (US);  
**Xiaojian Chen**, Phoenix, AZ (US);  
**David A. Higdon**, Phoenix, AZ (US)  
(73) Assignee: **Karsten Manufacturing Corporation**, Phoenix, AZ (US)  
(\*\*) Term: **15 Years**

5,547,188 A 8/1996 Dumontier  
D379,391 S 5/1997 Moore  
5,658,206 A 8/1997 Antonious  
D383,511 S 9/1997 Lo  
5,795,245 A 8/1998 Chang  
D398,682 S 9/1998 Moore  
D402,340 S 12/1998 Sheets  
D404,098 S 1/1999 Ishikawa  
5,980,394 A 11/1999 Domas  
D418,888 S 1/2000 Williams  
D425,589 S 5/2000 Ishikawa  
D426,604 S 6/2000 Besnard  
6,074,310 A 6/2000 Ota  
6,080,089 A 6/2000 Long

(Continued)

(21) Appl. No.: **29/580,294**  
(22) Filed: **Oct. 7, 2016**  
(51) **LOC (11) Cl.** ..... **21-02**  
(52) **U.S. Cl.**  
USPC ..... **D21/752**  
(58) **Field of Classification Search**  
USPC ..... D21/733, 752, 759  
CPC ..... A63B 53/00; A63B 53/04; A63B 53/0466;  
A63B 2053/002; A63B 2053/0445; A63B  
2053/0433; A63B 2053/0491; A63B  
2053/0437  
See application file for complete search history.

FOREIGN PATENT DOCUMENTS

JP 1368763 9/2009  
JP 1509538 10/2014

(Continued)

*Primary Examiner* — Mitchell I. Siegel

(57) **CLAIM**

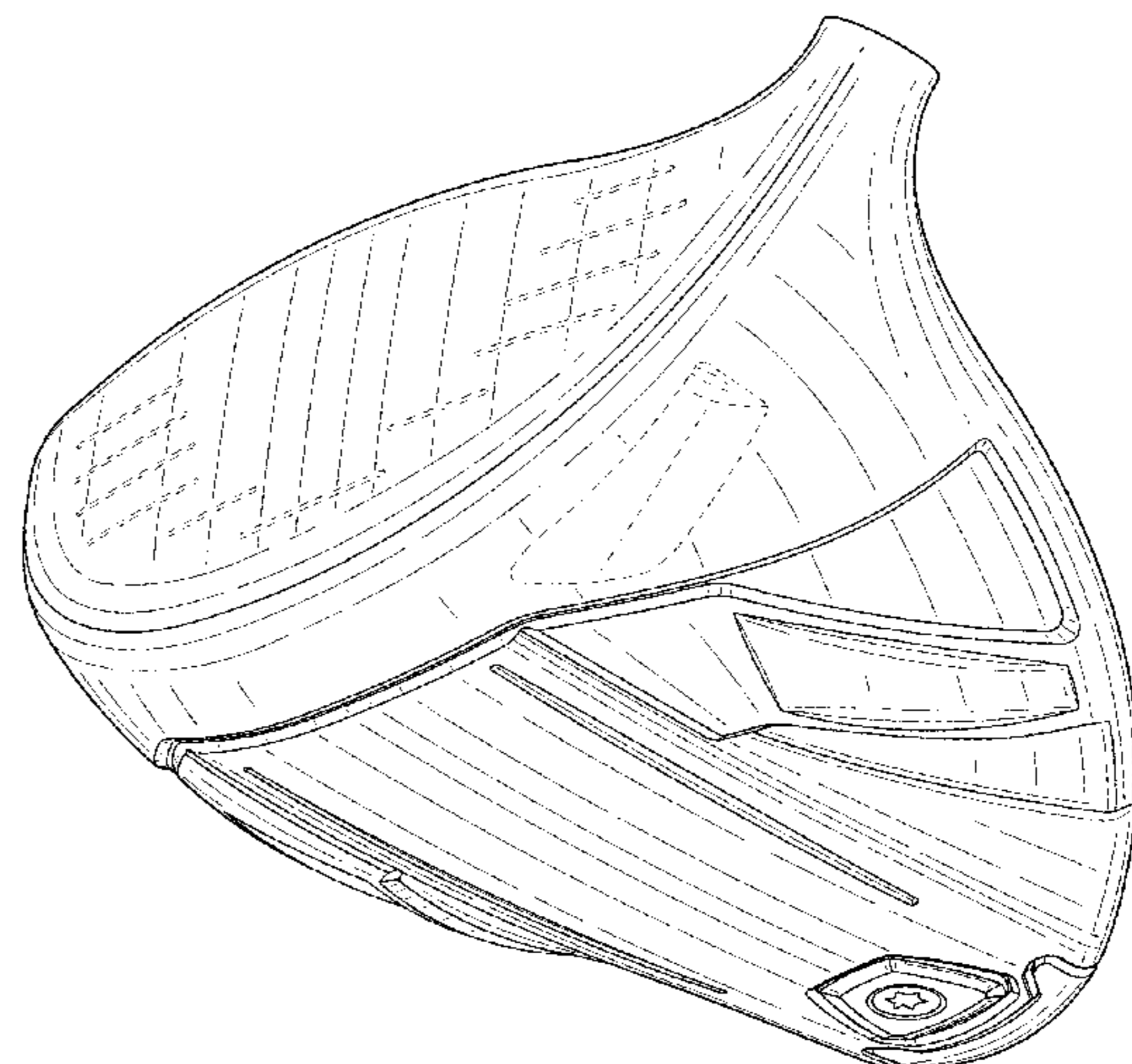
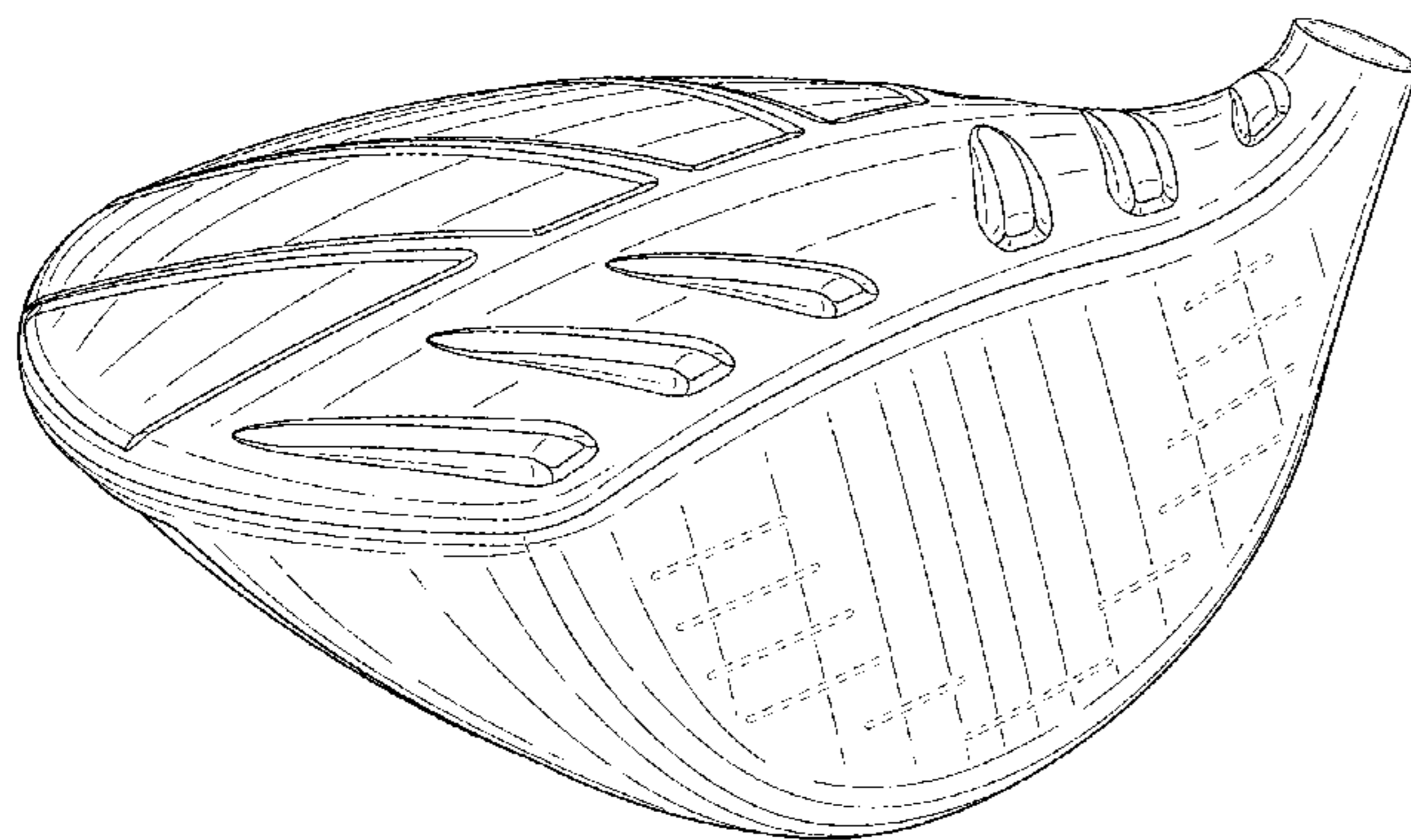
The ornamental design for a golf club head, as shown and described.

**DESCRIPTION**

FIG. 1 is a top perspective view of a golf club head;  
FIG. 2 is a bottom perspective view of the golf club head of FIG. 1;  
FIG. 3 is a front view of the golf club head of FIG. 1;  
FIG. 4 is a rear view of the golf club head of FIG. 1;  
FIG. 5 is a heel view of the golf club head of FIG. 1;  
FIG. 6 is a toe view of the golf club head of FIG. 1;  
FIG. 7 is a top view of the golf club head of FIG. 1; and,  
FIG. 8 is a bottom view of the golf club head of FIG. 1.  
The broken lines shown in one or more of the figures are for illustrative purposes only and form no part of the claimed design.

**1 Claim, 8 Drawing Sheets**

(56) **References Cited**  
U.S. PATENT DOCUMENTS  
1,993,928 A 3/1935 Glover  
2,041,676 A 5/1936 Gallagher  
2,756,055 A 7/1956 Bittner  
D248,179 S 6/1978 Riley  
4,139,196 A 2/1979 Riley  
D307,783 S 5/1990 Inuma  
5,221,086 A 6/1993 Antnious  
5,310,186 A 5/1994 Karsten  
5,335,914 A 8/1994 Long  
D352,755 S 11/1994 Cornish, III  
D357,290 S 4/1995 Viollaz





(56)

References Cited

U.S. PATENT DOCUMENTS

D433,073 S	10/2000	Sodano	D569,936 S	5/2008	Schweigert
D441,818 S	5/2001	Sato	D569,937 S	5/2008	Sanchez
D442,245 S	5/2001	Roach	D569,938 S	5/2008	Sanchez
D445,470 S	7/2001	Teramoto	D570,937 S	6/2008	Schweigert
D446,268 S	8/2001	Satoh	D570,938 S	6/2008	Jertson
D446,563 S	8/2001	Besnard	D570,939 S	6/2008	Chen
D461,865 S	8/2002	Nagai	D570,940 S	6/2008	Chen
D463,838 S	10/2002	Besnard	D570,941 S	6/2008	Chen
D465,251 S	11/2002	Wood	D571,882 S	6/2008	Soracco
6,475,102 B2	11/2002	Helmstetter	D572,324 S	7/2008	Chen
D469,141 S	1/2003	Poynor	D572,782 S	7/2008	Sanchez
D472,950 S	4/2003	Burnett	D572,783 S	7/2008	Sanchez
D482,419 S	11/2003	Burrows	D572,784 S	7/2008	Sanchez
D482,421 S	11/2003	Kessler	D572,785 S	7/2008	Chen
D486,542 S	2/2004	Burrows	D572,787 S	7/2008	Sanchez
D490,489 S	5/2004	Madore	D572,791 S	7/2008	Jertson
D490,870 S	6/2004	Burrows	D573,213 S	7/2008	Sanchez
D492,745 S	7/2004	Tang	D573,214 S	7/2008	Sanchez
D502,976 S	3/2005	Nishitani	D573,215 S	7/2008	Sanchez
D508,275 S	8/2005	Burrows	D573,216 S	7/2008	Sanchez
D508,544 S	8/2005	Madore	D573,217 S	7/2008	Sanchez
D509,272 S	9/2005	Smith	D573,218 S	7/2008	Sanchez
6,939,247 B1	9/2005	Schweigert	D573,674 S	7/2008	Sanchez
D513,424 S	1/2006	Erickson	D573,675 S	7/2008	Sanchez
D514,179 S	1/2006	Chen	D573,676 S	7/2008	Chen
6,988,960 B2	1/2006	Mahaffey	D573,678 S	7/2008	Kawami
D518,129 S	3/2006	Poynor	D574,046 S	7/2008	Chen
D518,543 S	4/2006	Aguinaldo	D574,049 S	7/2008	Kadoya
D521,093 S	5/2006	Jorgensen	D574,050 S	7/2008	Jones
D522,077 S	5/2006	Schweigert	7,396,296 B2	7/2008	Evans
D522,601 S	6/2006	Schweigert	D574,456 S	8/2008	Chen
D523,103 S	6/2006	Hocknell	D578,587 S	10/2008	Hoffman
D523,498 S	6/2006	Chen	D579,066 S	10/2008	Dipert
D523,502 S	6/2006	Jorgensen	D579,067 S	10/2008	Hoffman
D526,694 S	8/2006	Schweigert	D580,504 S	11/2008	Bosilkovshi
D529,111 S	9/2006	Cleveland	D583,432 S	12/2008	Serrano
D530,761 S	10/2006	Evans	D587,772 S	3/2009	Ferguson
D532,473 S	11/2006	Chen	D588,217 S	3/2009	Jertson
D532,474 S	11/2006	Bennett	D588,220 S	3/2009	Ferguson
D532,854 S	11/2006	Oldknow	D588,659 S	3/2009	Jertson
D535,343 S	1/2007	Chen	D589,576 S	3/2009	Kadoya
D536,049 S	1/2007	Evans	7,503,854 B2	3/2009	Galloway
D537,139 S	2/2007	Breier	D591,810 S	5/2009	Murphy
D537,495 S	2/2007	Schweigert	D591,817 S	5/2009	Murphy
D537,496 S	2/2007	Serrano	D591,818 S	5/2009	Roberts
D537,895 S	3/2007	Breier	D594,518 S	6/2009	Schweigert
D538,363 S	3/2007	Schweigert	D594,521 S	6/2009	Jertson
D538,371 S	3/2007	Kawami	D594,919 S	6/2009	Schweigert
D538,866 S	3/2007	Kim	D595,381 S	6/2009	Waggoner
D538,867 S	3/2007	Cleveland	D596,252 S	7/2009	Jertson
D539,371 S	3/2007	Serrano	D598,062 S	8/2009	Dipert
D541,364 S	4/2007	Barez	D600,297 S	9/2009	Jertson
D547,815 S	7/2007	Tang	D603,472 S	11/2009	Schweigert
D550,318 S	9/2007	Oldknow	D603,919 S	11/2009	Gray
D550,799 S	9/2007	Lin	D604,376 S	11/2009	Darley
D552,198 S	10/2007	Schweigert	D609,293 S	2/2010	Williams
D553,206 S	10/2007	Morales	D609,294 S	2/2010	Oldknow
D555,745 S	11/2007	Rollinson	D611,555 S	3/2010	Oldknow
D557,362 S	12/2007	Serrano	D612,005 S	3/2010	Oldknow
D557,363 S	12/2007	Jertson	D613,805 S	4/2010	Sutovsky
D558,287 S	12/2007	Jertson	D618,747 S	6/2010	Schweigert
D558,288 S	12/2007	Jertson	D618,753 S	6/2010	Jertson
D561,286 S	2/2008	Morales	D618,754 S	6/2010	Schweigert
D562,421 S	2/2008	Jertson	D621,892 S	8/2010	Kohno
7,326,472 B2	2/2008	Shimazaki	7,802,111 B1	9/2010	Tahan
D563,498 S	3/2008	Jertson	D631,111 S *	1/2011	Bennett ..... D21/752
D564,054 S	3/2008	Jertson	D635,626 S	4/2011	Nicolette
D564,055 S	3/2008	Jertson	D638,896 S	5/2011	Schweigert
D564,056 S	3/2008	Chen	8,012,034 B1	9/2011	Cackett
D566,214 S	4/2008	Evans	D661,751 S	6/2012	Nicolette
D567,317 S	4/2008	Jertson	D661,752 S	6/2012	Stokke
D567,891 S	4/2008	Serrano	D661,756 S	6/2012	Nicolette
D569,933 S	5/2008	Jertson	D661,757 S	6/2012	Stokke
D569,934 S	5/2008	Jertson	D669,546 S	10/2012	Llewellyn
D569,935 S	5/2008	Schweigert	D669,948 S	10/2012	Sakamoto
			D669,949 S	10/2012	Sakamoto
			8,337,326 B2	12/2012	Lukasiewicz, Jr.
			D673,630 S	1/2013	Schweigert
			D673,631 S *	1/2013	Engel ..... D21/759

(56)

**References Cited**

U.S. PATENT DOCUMENTS

D673,632 S 1/2013 Schweigert  
 D680,179 S 4/2013 Solheim  
 D687,503 S 8/2013 Solheim  
 D691,230 S 10/2013 Chen  
 D696,739 S 12/2013 Stokke  
 8,608,587 B2 12/2013 Henrikson  
 D705,879 S 5/2014 Chen  
 D709,574 S 7/2014 Bacon  
 D720,025 S 12/2014 Nicolette  
 D720,418 S 12/2014 Chen  
 D721,147 S 1/2015 Chen  
 D721,777 S 1/2015 Chen  
 D738,976 S \* 9/2015 Kim ..... D21/759  
 D739,905 S 9/2015 Stokke  
 D754,271 S 4/2016 Chen  
 D755,317 S 5/2016 Chen  
 D763,983 S 8/2016 Tang  
 D763,997 S \* 8/2016 Tang ..... D21/759  
 D777,855 S \* 1/2017 Stokke ..... D21/752

D780,866 S \* 3/2017 Stokke ..... D21/752  
 D785,735 S \* 5/2017 Bacon ..... D21/752  
 D788,864 S \* 6/2017 Stokke ..... D21/752  
 D791,255 S \* 7/2017 Jertson ..... D21/752  
 D794,733 S \* 8/2017 Milleman ..... D21/752  
 D801,461 S \* 10/2017 Milleman ..... D21/752  
 D801,465 S \* 10/2017 Tang ..... D21/759  
 D811,503 S 2/2018 Bacon et al.  
 2005/0043117 A1 2/2005 Gilbert  
 2006/0052181 A1 3/2006 Serrano  
 2008/0039228 A1 2/2008 Breier  
 2008/0171612 A1 7/2008 Serrano  
 2008/0188322 A1 8/2008 Anderson  
 2009/0275419 A1 11/2009 Cackett  
 2011/0143858 A1 6/2011 Peralta

FOREIGN PATENT DOCUMENTS

JP 1509548 10/2014  
 JP 1587353 10/2017

\* cited by examiner

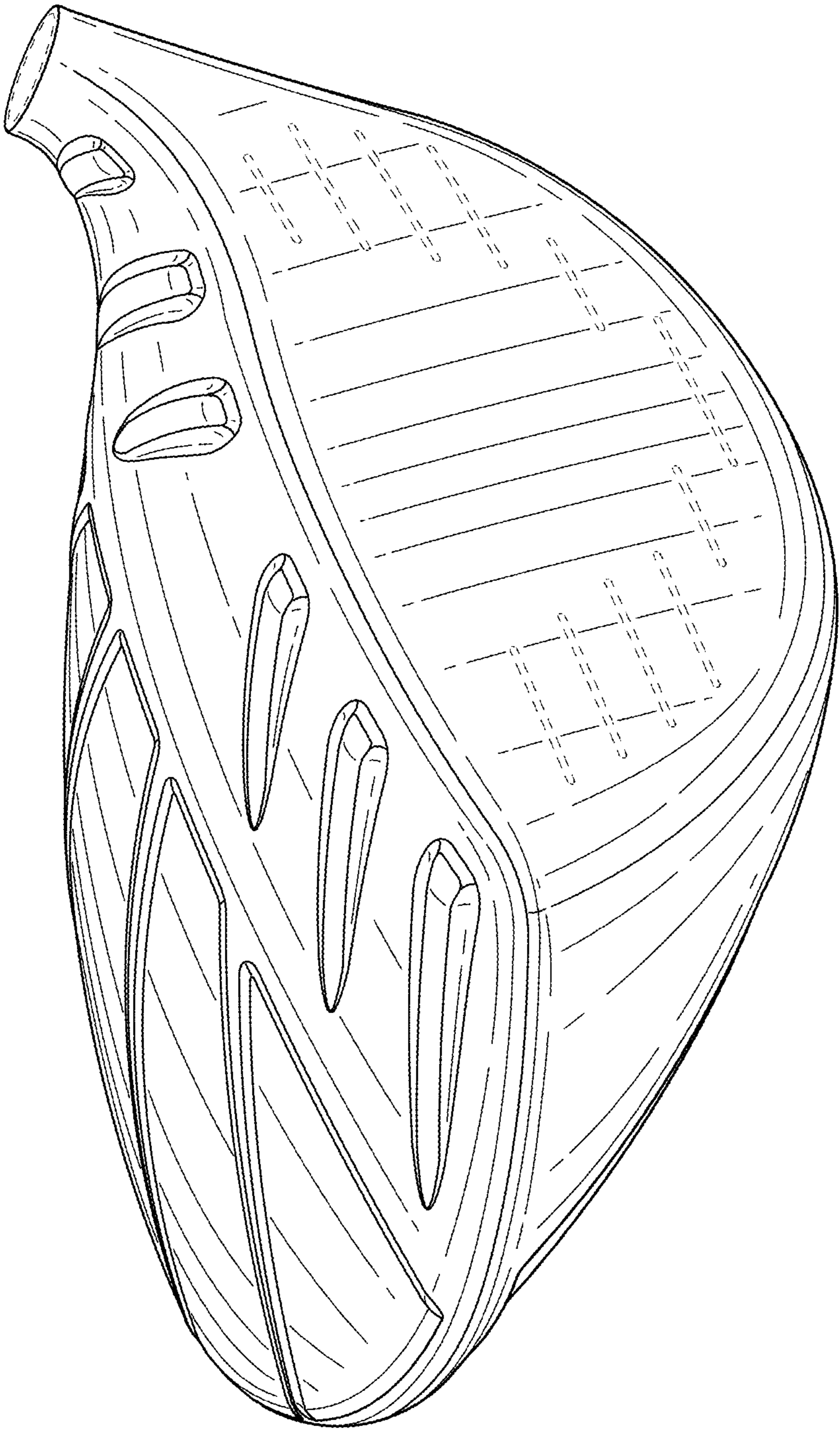
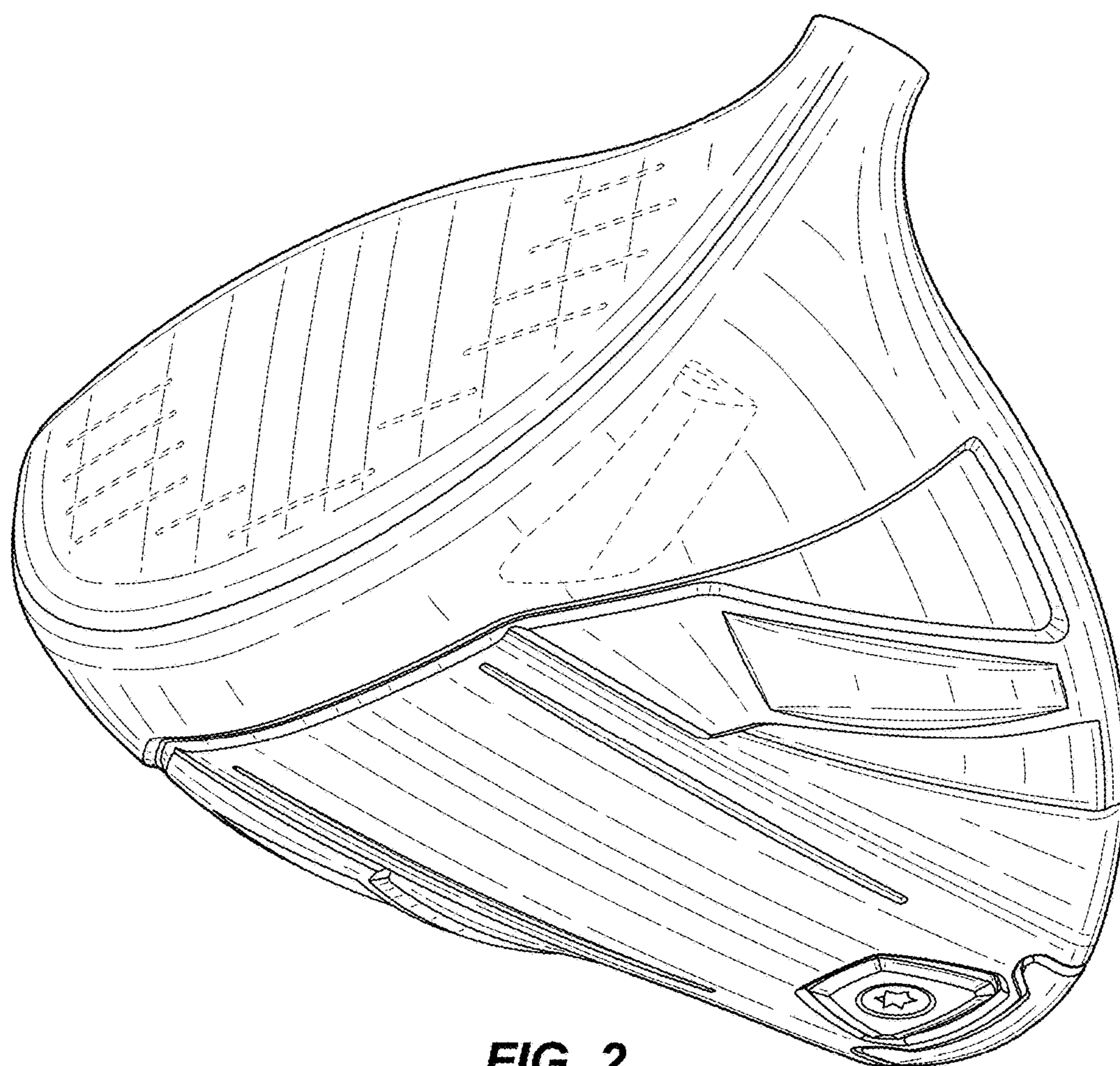
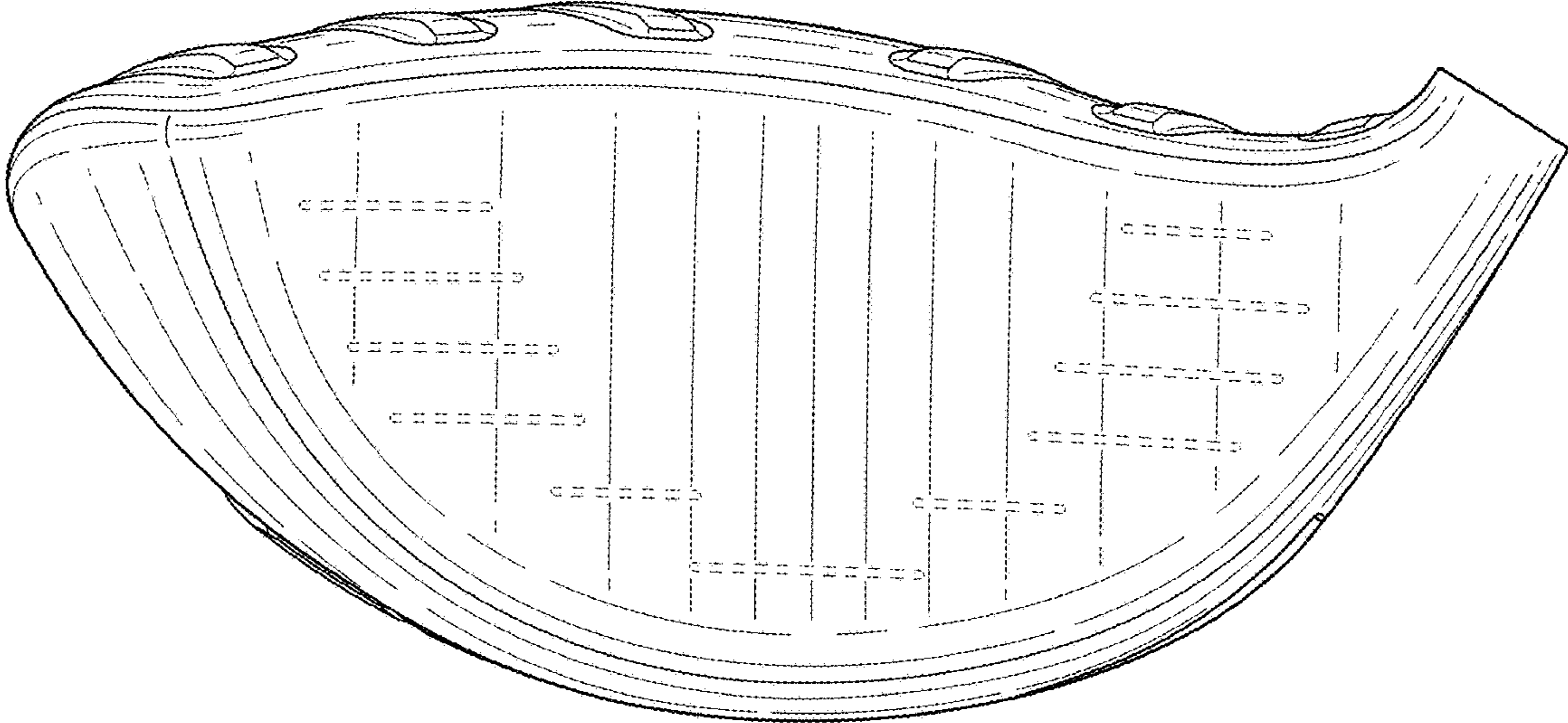


FIG. 1

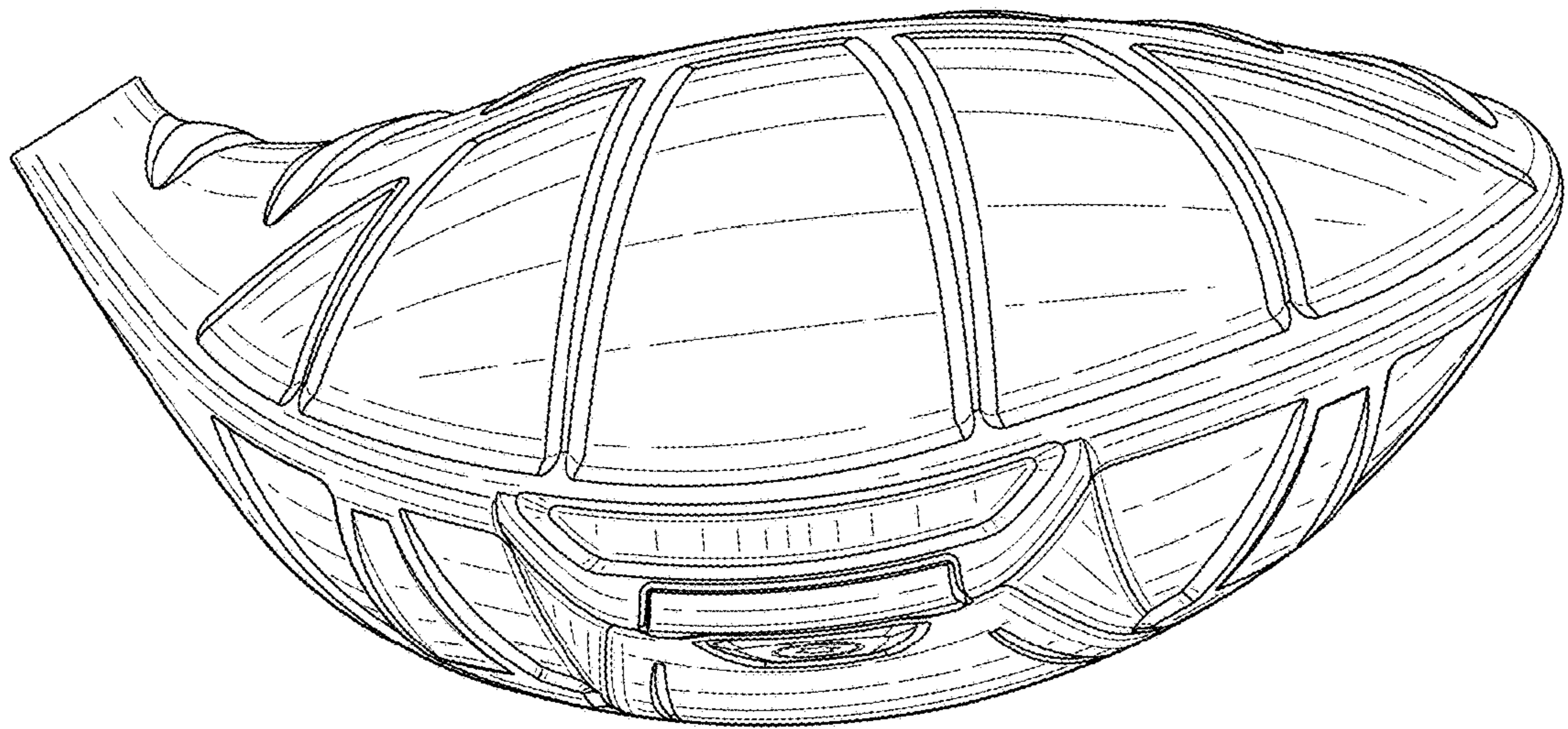




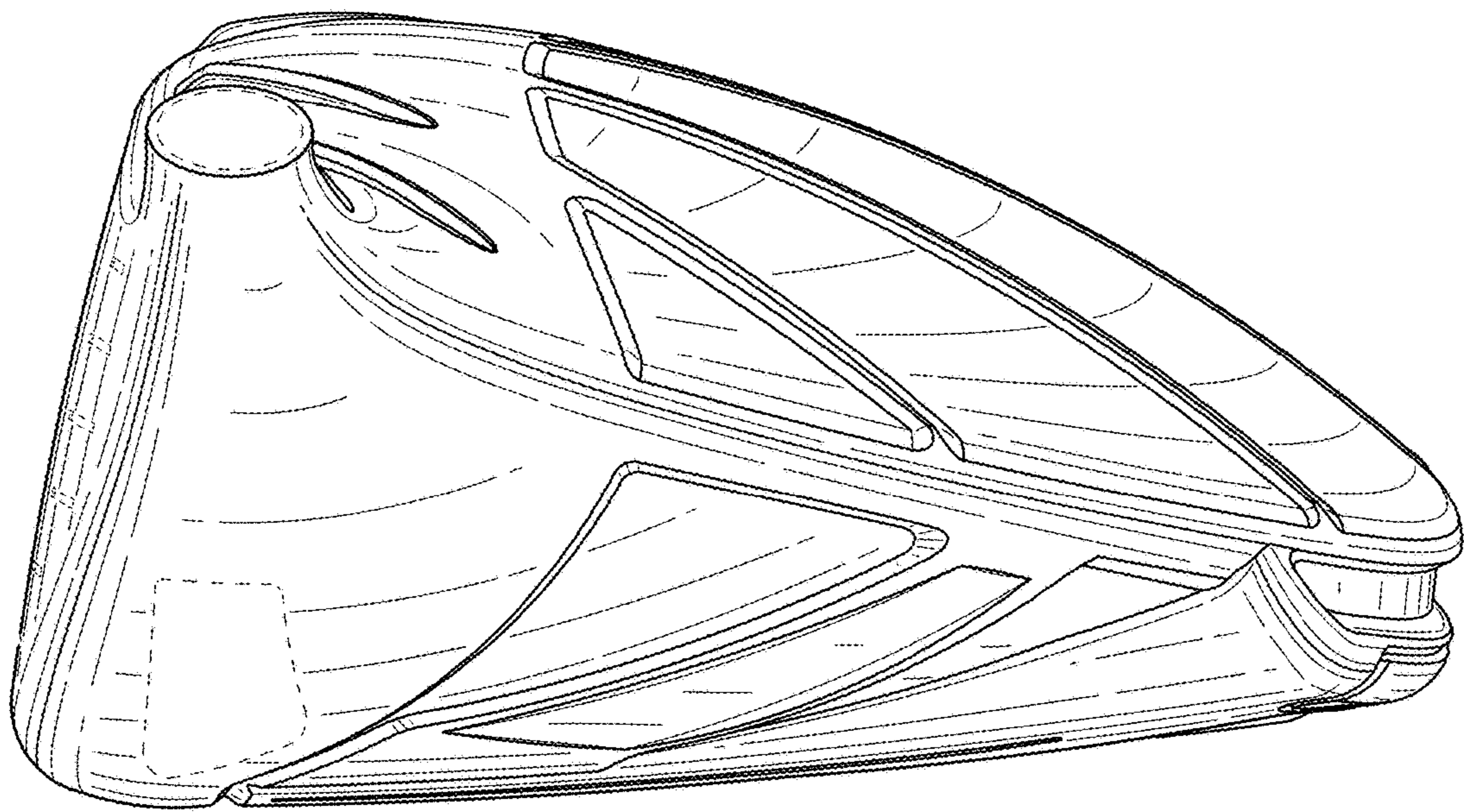
**FIG. 2**



**FIG. 3**

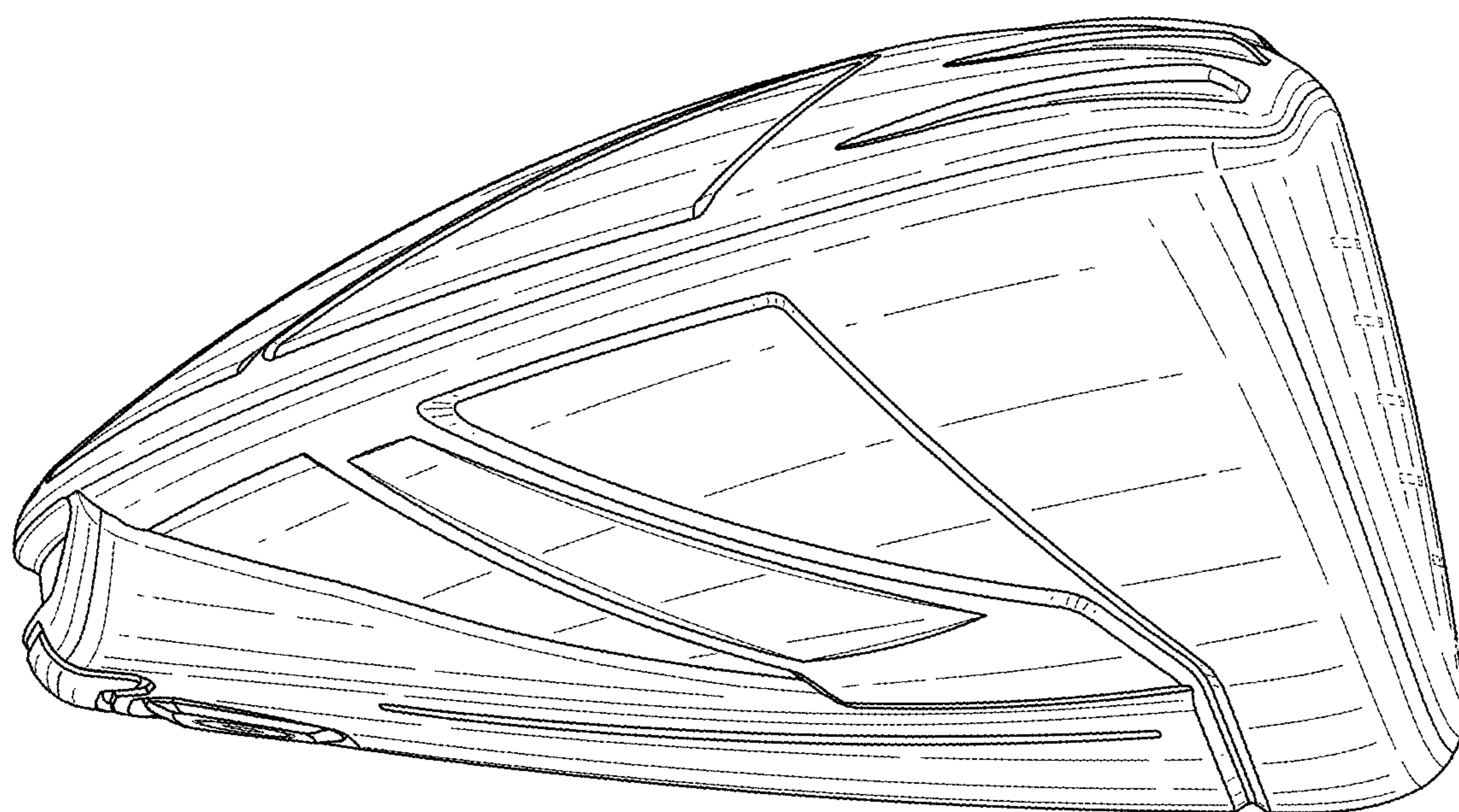


**FIG. 4**

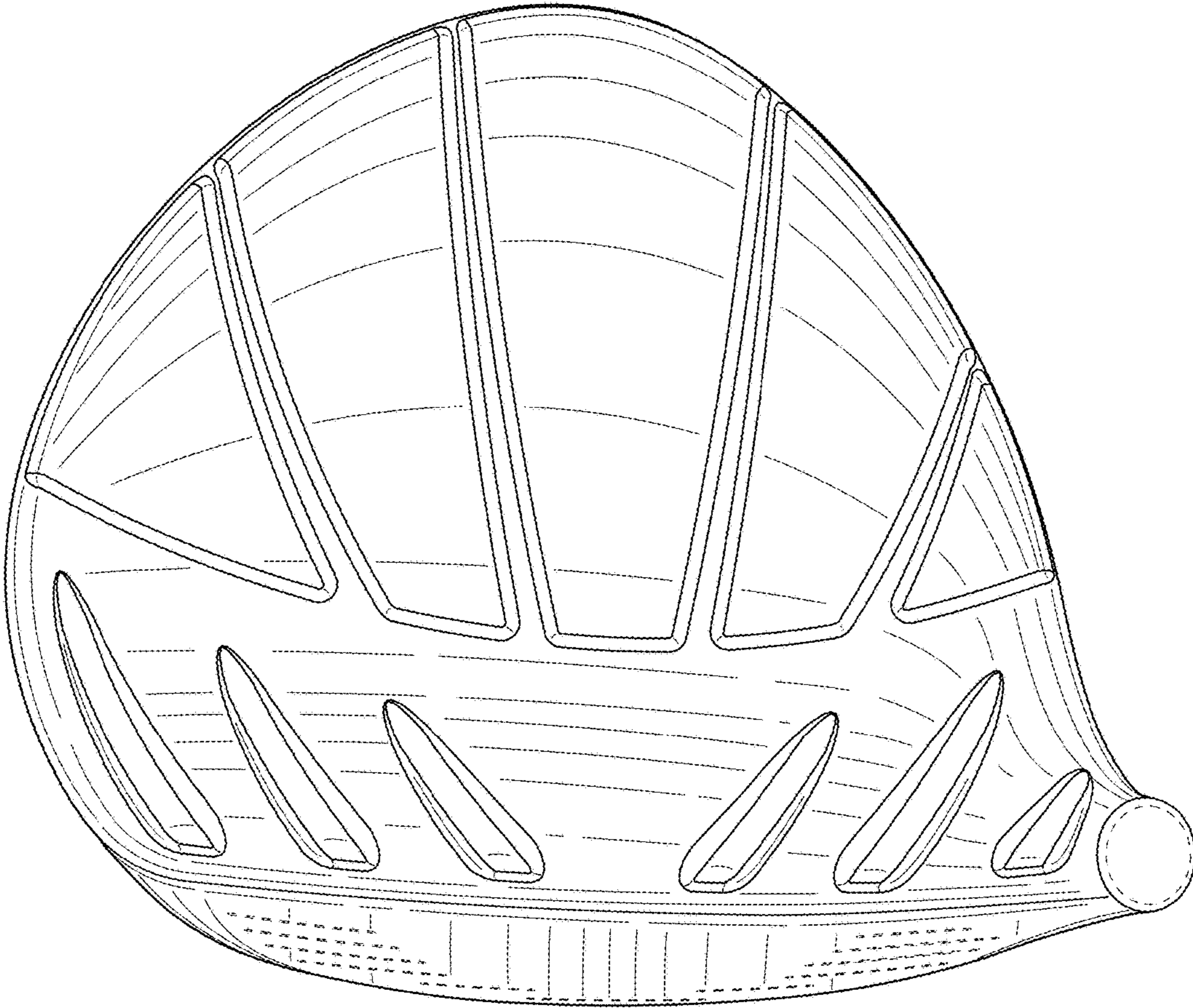


**FIG. 5**

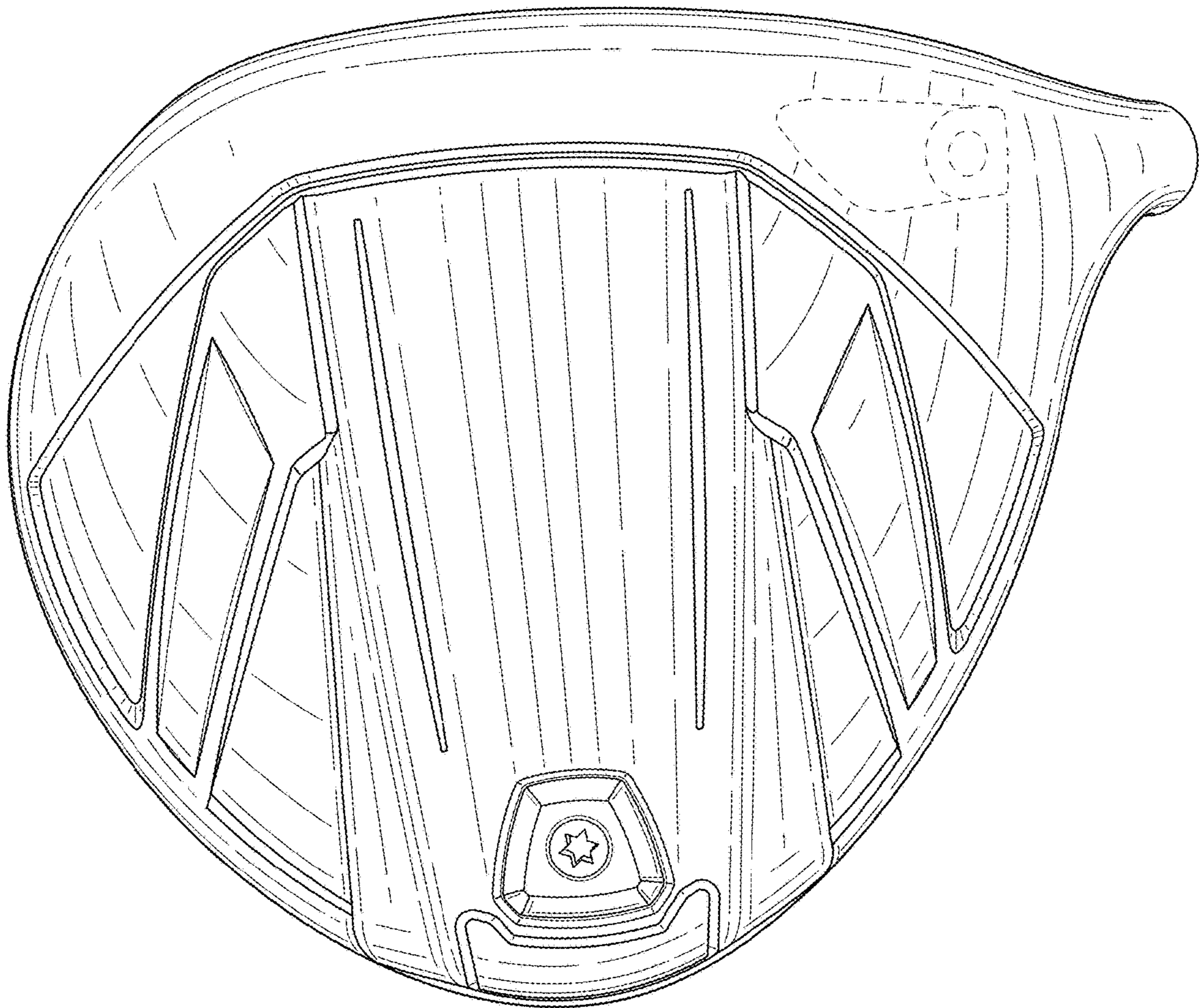




**FIG. 6**



**FIG. 7**



**FIG. 8**