



US00D823957S

(12) **United States Design Patent**
Becktor et al.

(10) **Patent No.:** **US D823,957 S**

(45) **Date of Patent:** **** Jul. 24, 2018**

(54) **GOLF CLUB HEAD**

(71) Applicant: **DUNLOP SPORTS CO. LTD.**,
Kobe-shi, Hyogo (JP)

(72) Inventors: **Mika Becktor**, New York, NY (US);
Phillip C. Seagram, Huntington Beach,
CA (US)

(73) Assignee: **DUNLOP SPORTS CO. LTD.**, Kobe
(JP)

(**) Term: **15 Years**

(21) Appl. No.: **29/607,044**

(22) Filed: **Jun. 9, 2017**

(51) **LOC (11) Cl.** **21-02**

(52) **U.S. Cl.**
USPC **D21/747**

(58) **Field of Classification Search**
USPC D21/747-751, 759
CPC A63B 53/00; A63B 53/02; A63B 53/04;
A63B 53/047; A63B 53/0475; A63B
2053/0479; A63B 2053/0483; A63B
2053/0445; A63B 60/00; A63B 60/46
See application file for complete search history.

(56) **References Cited**

U.S. PATENT DOCUMENTS

D466,961 S * 12/2002 Nagai D21/759
D518,538 S * 4/2006 Ines D21/747
D577,087 S * 9/2008 Roach D21/749
D584,370 S * 1/2009 Cleveland D21/747

D619,667 S * 7/2010 Cleveland D21/747
D652,093 S * 1/2012 Foster D21/747
D654,547 S * 2/2012 Jertson D21/747
D690,379 S * 9/2013 Cleveland D21/747
8,657,700 B2 * 2/2014 Nicolette A63B 53/047
473/291
D704,784 S * 5/2014 Vrska D21/759
D753,249 S * 4/2016 Song D21/749
D767,066 S * 9/2016 Asazuma D21/759
D777,853 S * 1/2017 Wang D21/747
D798,404 S * 9/2017 Asatsuma D21/759
D803,962 S * 11/2017 Tang D21/759
D817,421 S * 5/2018 Tang D21/759

* cited by examiner

Primary Examiner — Mitchell Siegel

(74) *Attorney, Agent, or Firm* — Oliff PLC

(57) **CLAIM**

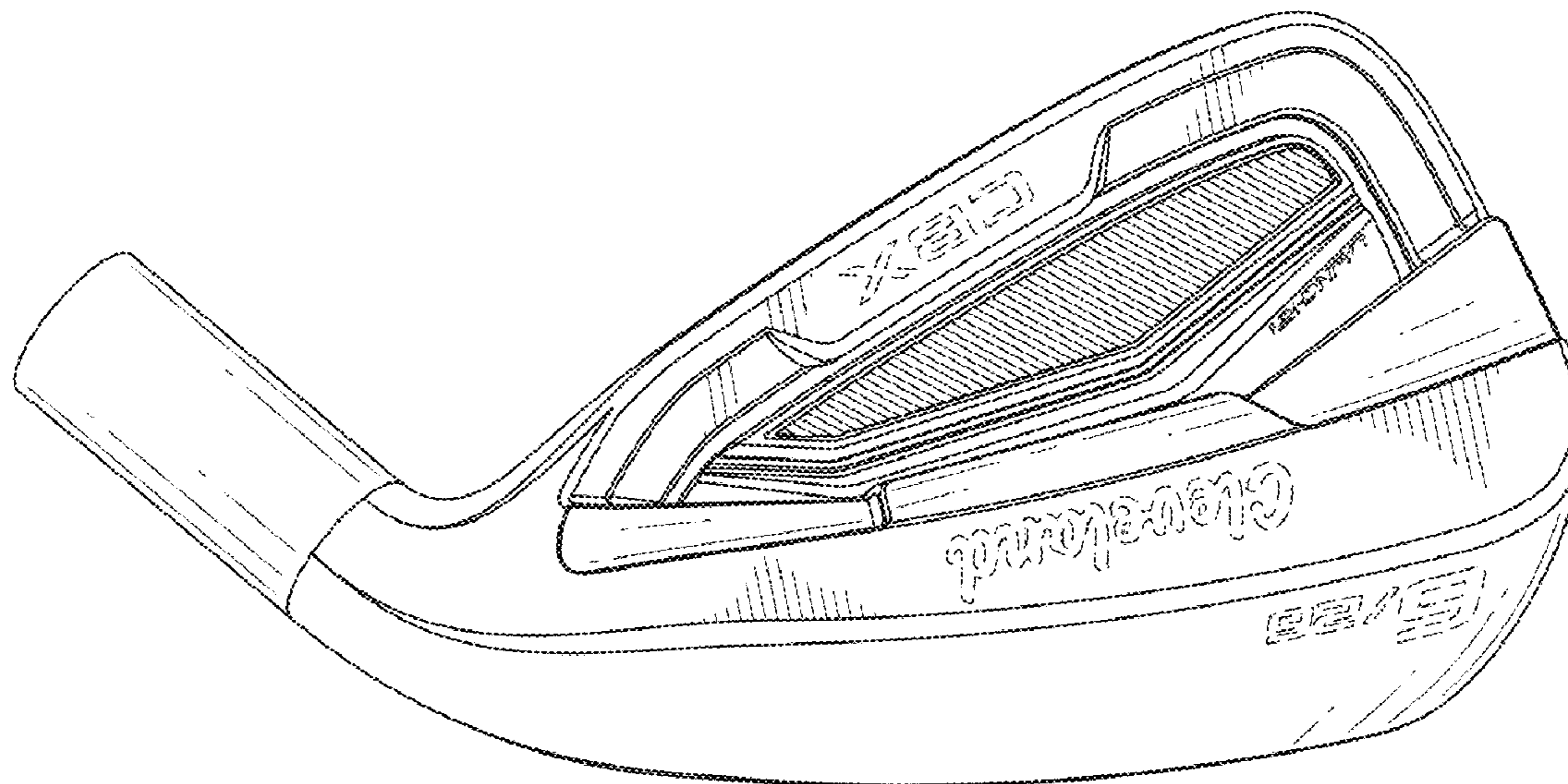
The ornamental design for a golf club head, as shown and described.

DESCRIPTION

FIG. 1 is a bottom, rear perspective view of the golf club head;
FIG. 2 is a front elevational view thereof;
FIG. 3 is a top plan view thereof;
FIG. 4 is a heel-side elevational view thereof;
FIG. 5 is a toe-side elevational view thereof;
FIG. 6 is a rear elevational view thereof; and,
FIG. 7 is a bottom plan view thereof.

The broken lines depict unclaimed parts of the golf club head, and thus form no part of the claimed design.

1 Claim, 6 Drawing Sheets



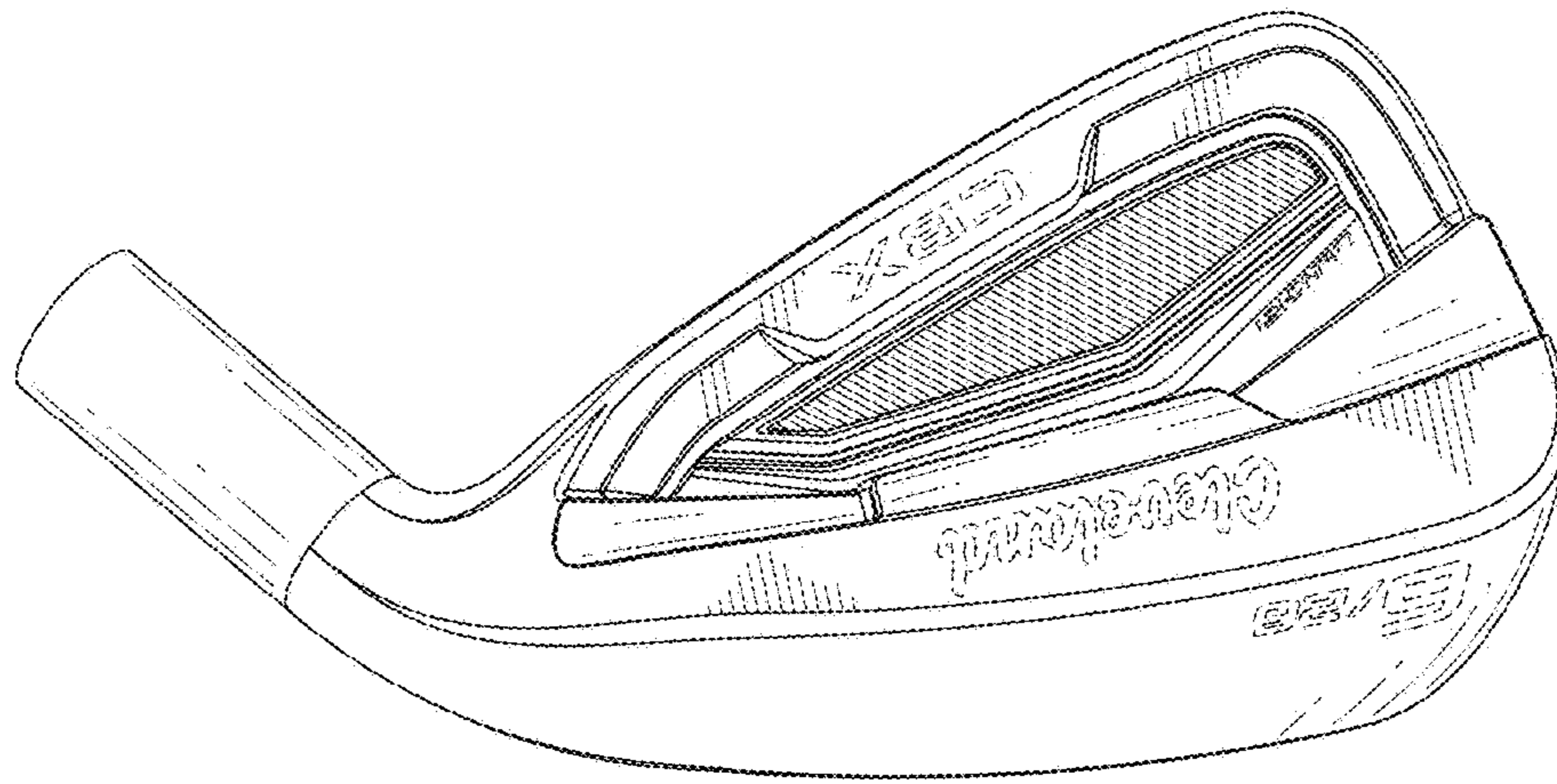


FIG. 1

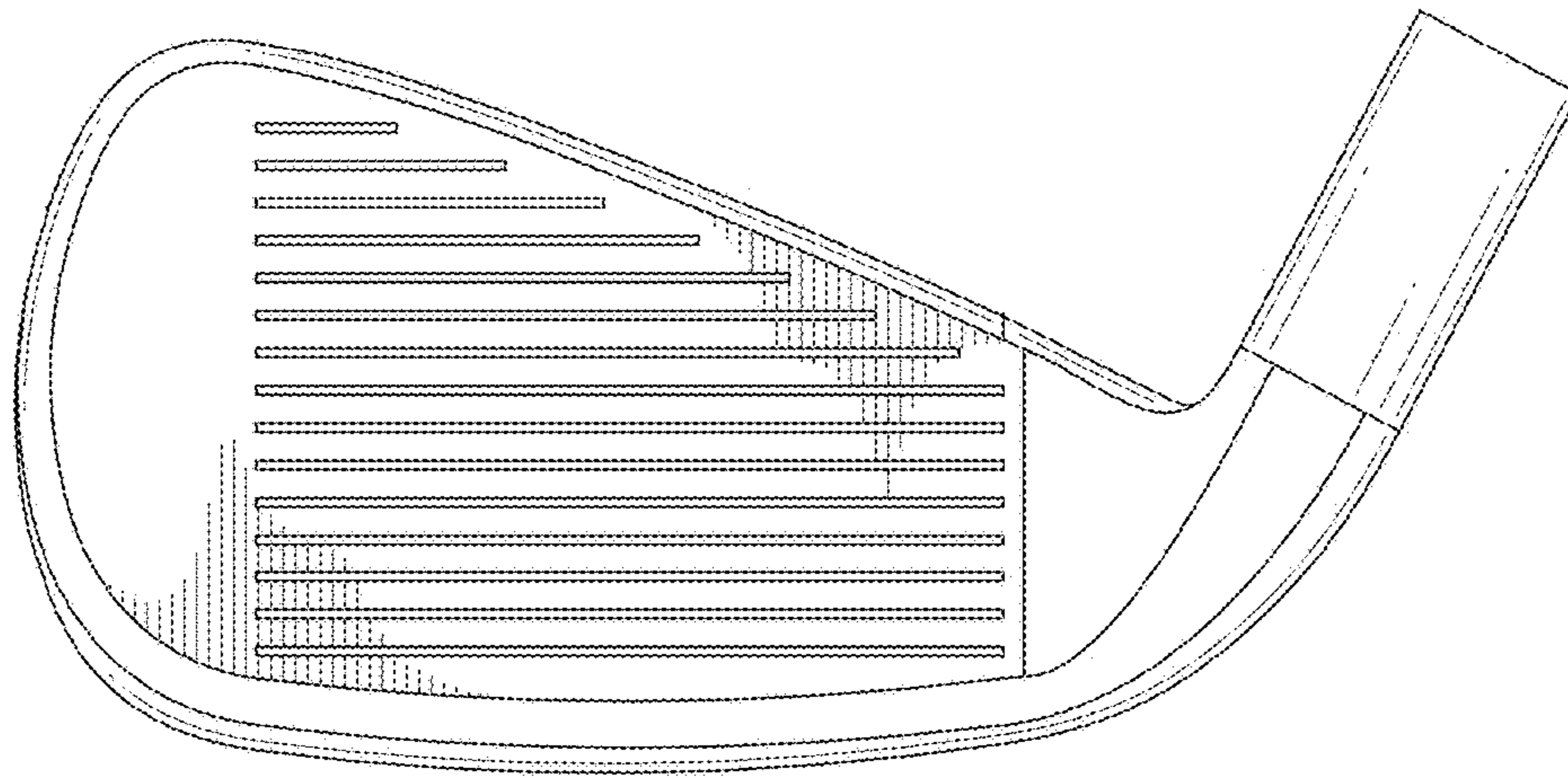


FIG. 2

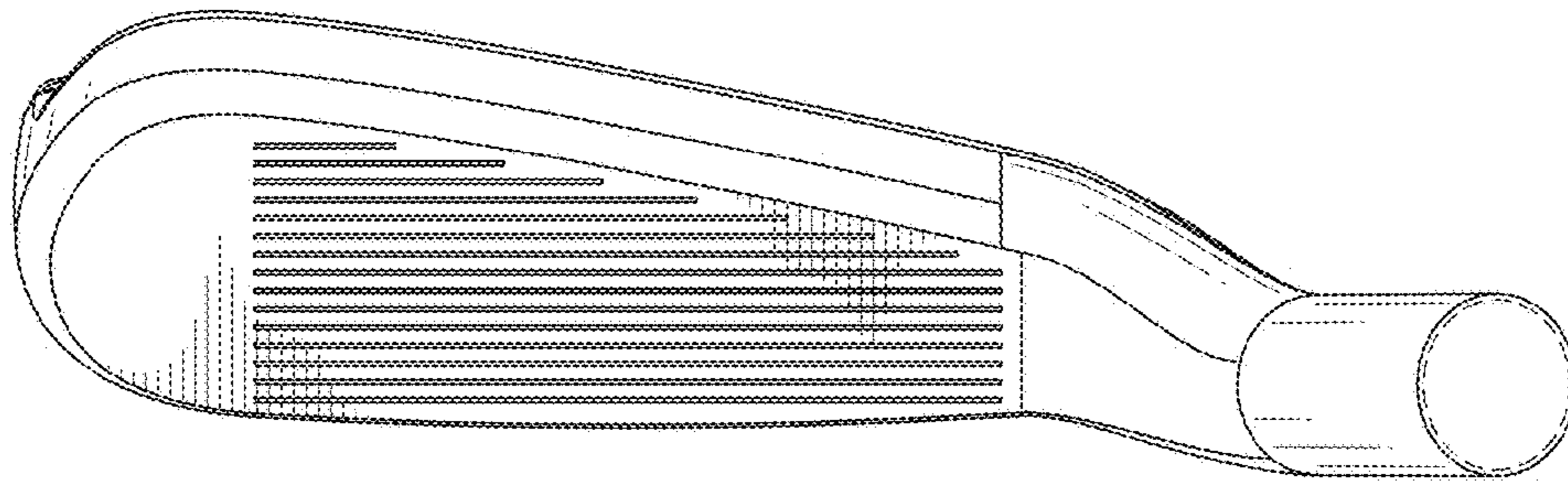


FIG. 3

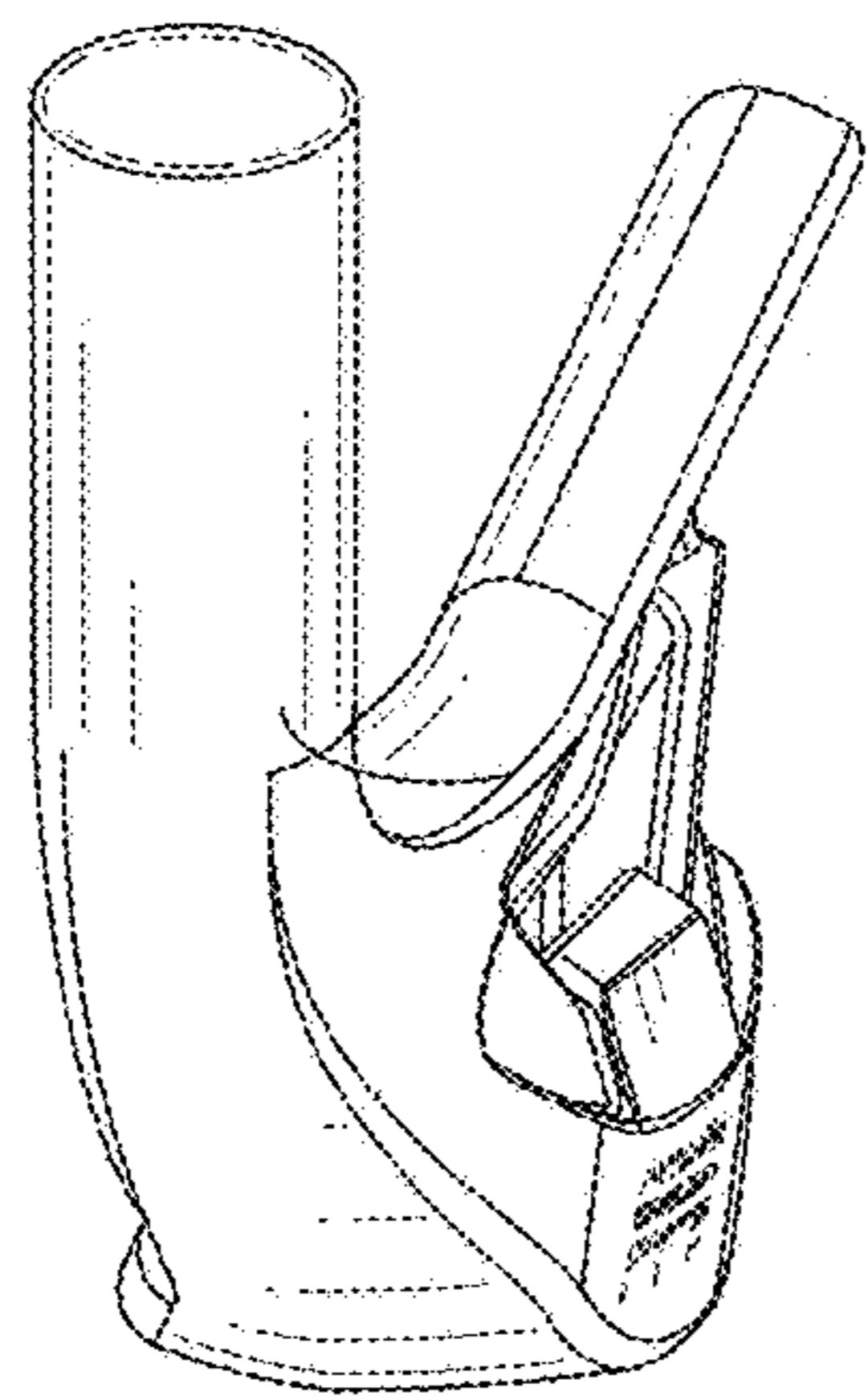


FIG. 4

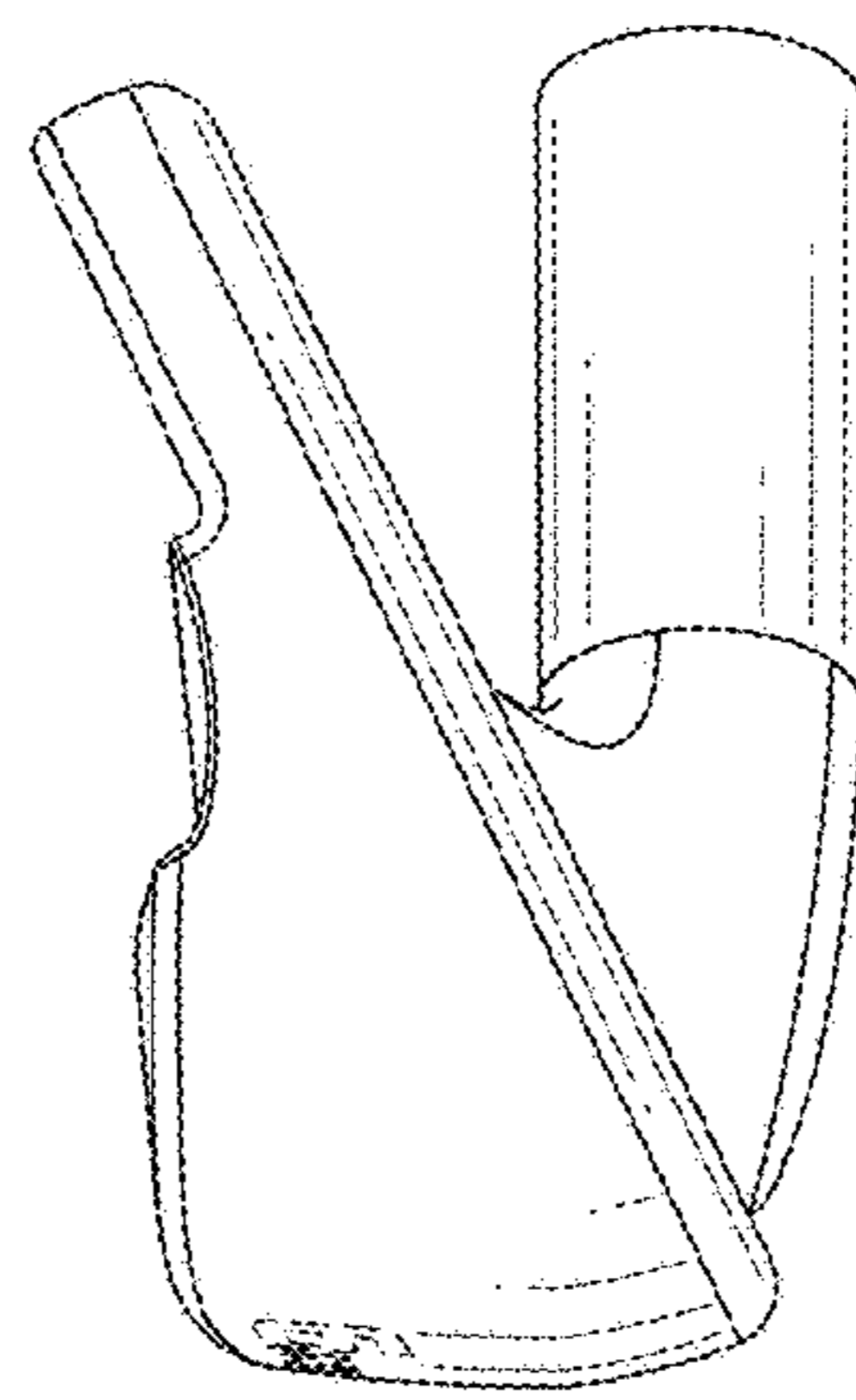


FIG. 5

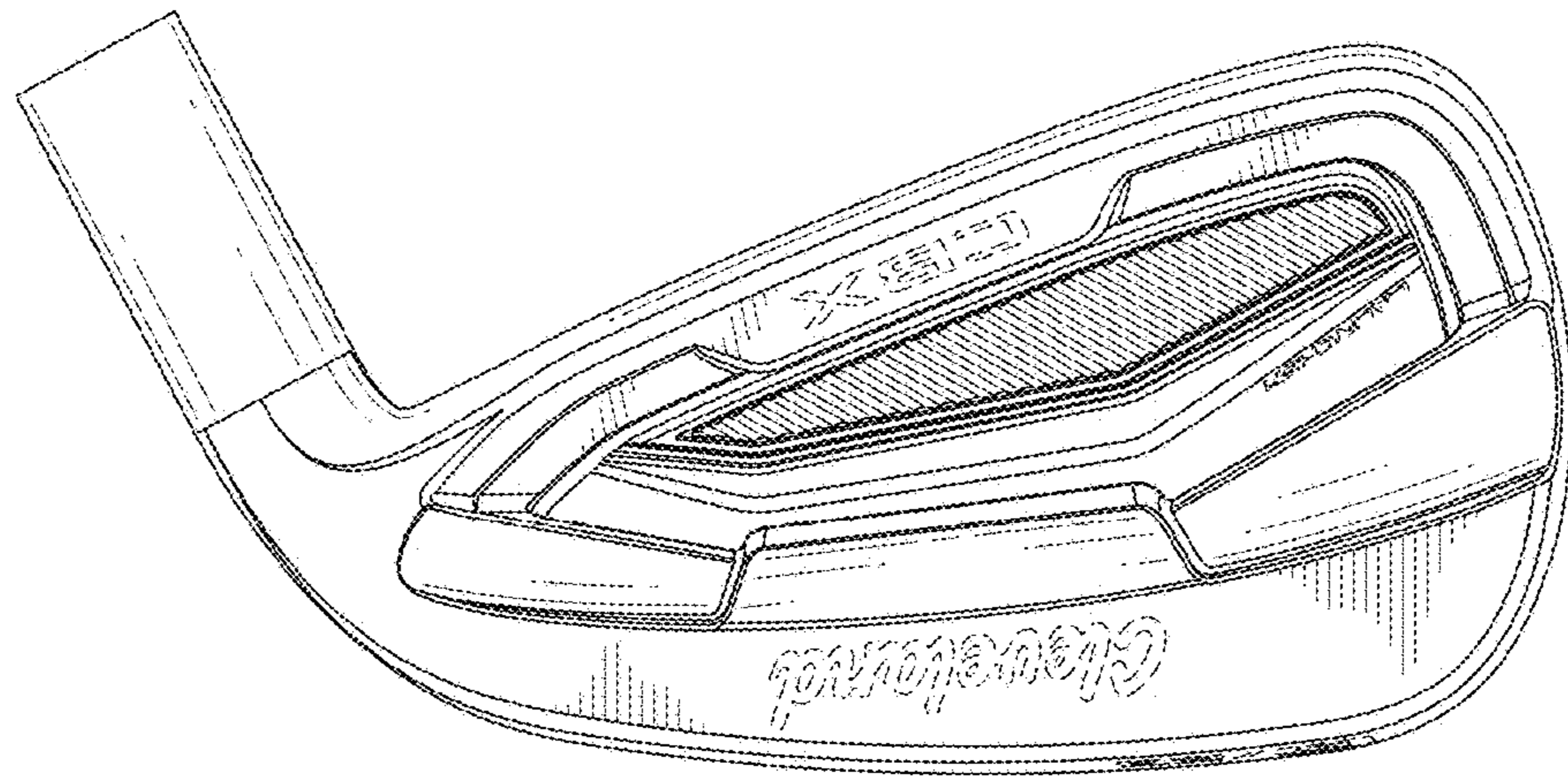


FIG. 6

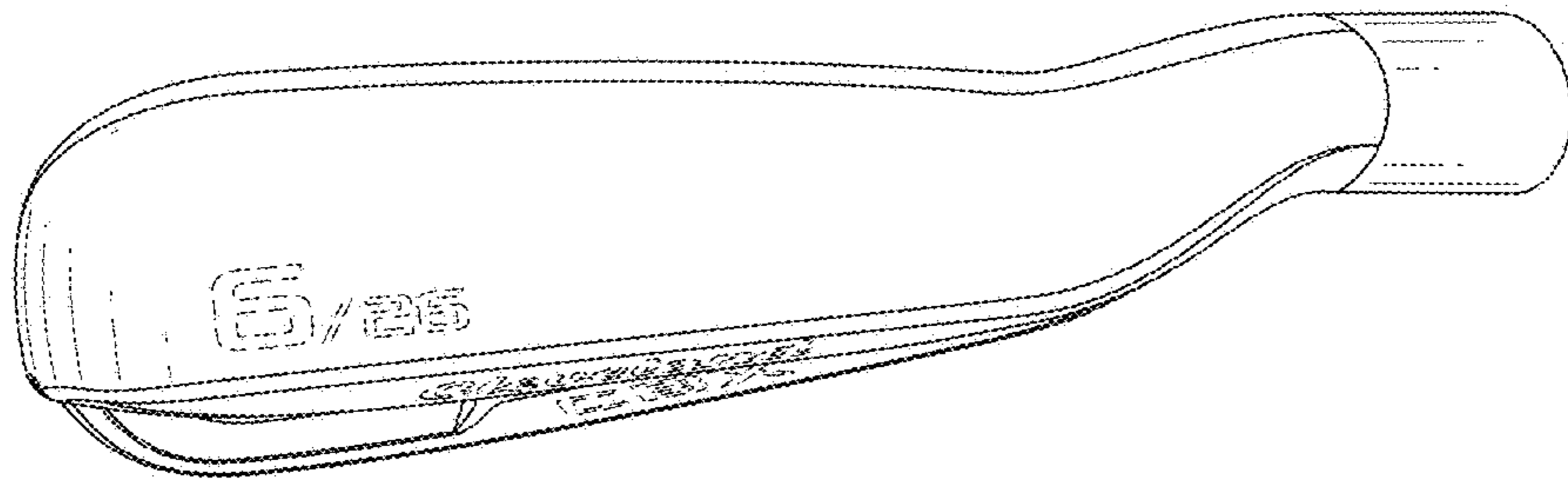


FIG. 7