



US00D823955S

(12) **United States Design Patent**
Harada et al.

(10) **Patent No.:** **US D823,955 S**
(45) **Date of Patent:** **** Jul. 24, 2018**

(54) **SUSPENDED FOOT REST AND STAND**

(71) Applicants: **John Harada**, Kailua, HI (US); **John Godoy**, Chicago, IL (US)

(72) Inventors: **John Harada**, Kailua, HI (US); **John Godoy**, Chicago, IL (US)

(73) Assignee: **Active Ideas LLC**, Chicago, IL (US)

(**) Term: **15 Years**

(21) Appl. No.: **29/569,698**

(22) Filed: **Jun. 29, 2016**

(51) **LOC (11) Cl.** **21-02**

(52) **U.S. Cl.**
USPC **D21/689**

(58) **Field of Classification Search**
USPC 482/131, 129, 112, 139, 70, 146, 51, 52,
482/147; 297/423.15, 423.18, 423.4,
297/DIG. 6, 273; D21/688
CPC A63B 26/003; A63B 22/18; A63B 22/16;
A63B 2022/0033; A63B 21/0004
See application file for complete search history.

(56) **References Cited**

U.S. PATENT DOCUMENTS

- 402,130 A * 4/1889 Bedford A47C 3/0255
248/328
- D133,301 S * 8/1942 Guldbrandsen D10/90
- 3,108,802 A * 10/1963 Sundquist A63B 22/16
280/12.1
- D212,907 S * 12/1968 Leotta D10/90
- 4,013,287 A * 3/1977 Dickman A63B 21/023
180/90
- 4,013,318 A * 3/1977 Piper A47C 7/52
280/809
- D261,909 S * 11/1981 Heatwole D21/688
- D265,411 S * 7/1982 Hedenblad D21/688
- 5,399,139 A * 3/1995 Malynowsky A63B 21/023
248/188.7

- 6,902,514 B2 * 6/2005 Chuang A63B 22/001
482/147
 - 7,322,655 B1 * 1/2008 Williams A47C 7/52
297/423.15
 - D568,190 S * 5/2008 O'Grady D10/90
 - 7,419,459 B2 * 9/2008 Van Straaten A63B 22/14
482/146
 - 7,954,900 B2 * 6/2011 Shantha B60N 3/06
297/423.15
 - 9,403,049 B2 * 8/2016 Harada A47C 7/52
 - D781,165 S * 3/2017 Rouillac D10/91
- (Continued)

OTHER PUBLICATIONS

HOVR by HOVR dated no date found. Found online [Jan. 10, 2018]
https://hovrpro.com/products/hovr-floor-stand.*

Primary Examiner — Philip S Hyder
Assistant Examiner — Ryan Harvey
(74) *Attorney, Agent, or Firm* — Oppenhuizen Law PLC;
David L. Oppenhuizen

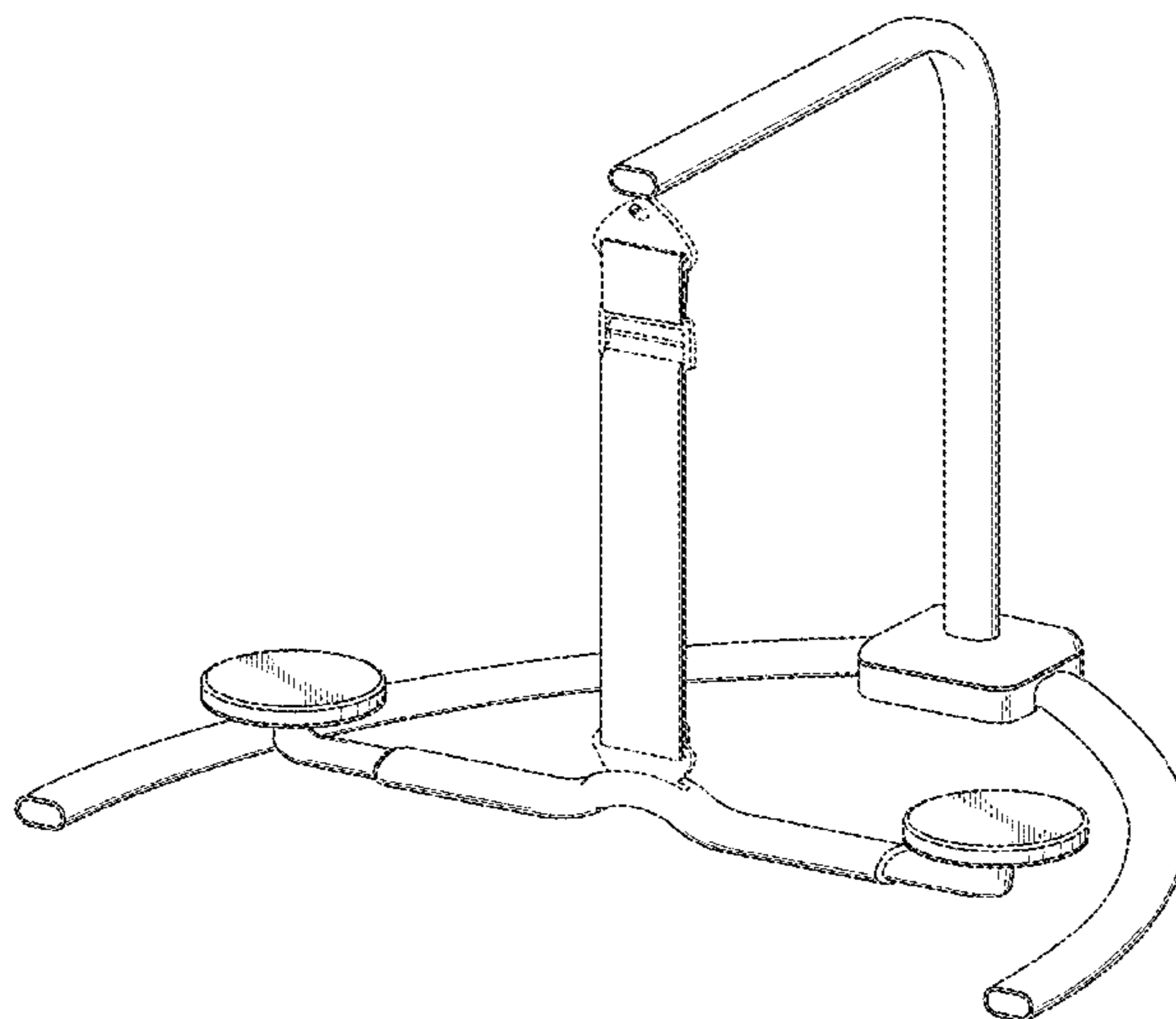
(57) **CLAIM**

The ornamental design for a suspended foot rest and stand,
as shown and described.

DESCRIPTION

FIG. 1 is a front perspective view of a suspended foot rest and stand showing the new design;
FIG. 2 is a rear perspective view;
FIG. 3 is a front view;
FIG. 4 is a right view, the left view being a mirror image thereof;
FIG. 5 is a rear view;
FIG. 6 is a top view; and,
FIG. 7 is a bottom view.
The broken lines are included for the purpose of illustrating portions of the suspended foot rest that form no part of the claimed design.

1 Claim, 7 Drawing Sheets



(56)

References Cited

U.S. PATENT DOCUMENTS

9,676,302	B2 *	6/2017	Yang	B60N 2/28
2015/0306449	A1 *	10/2015	Harada	A47C 7/52
				482/131

* cited by examiner

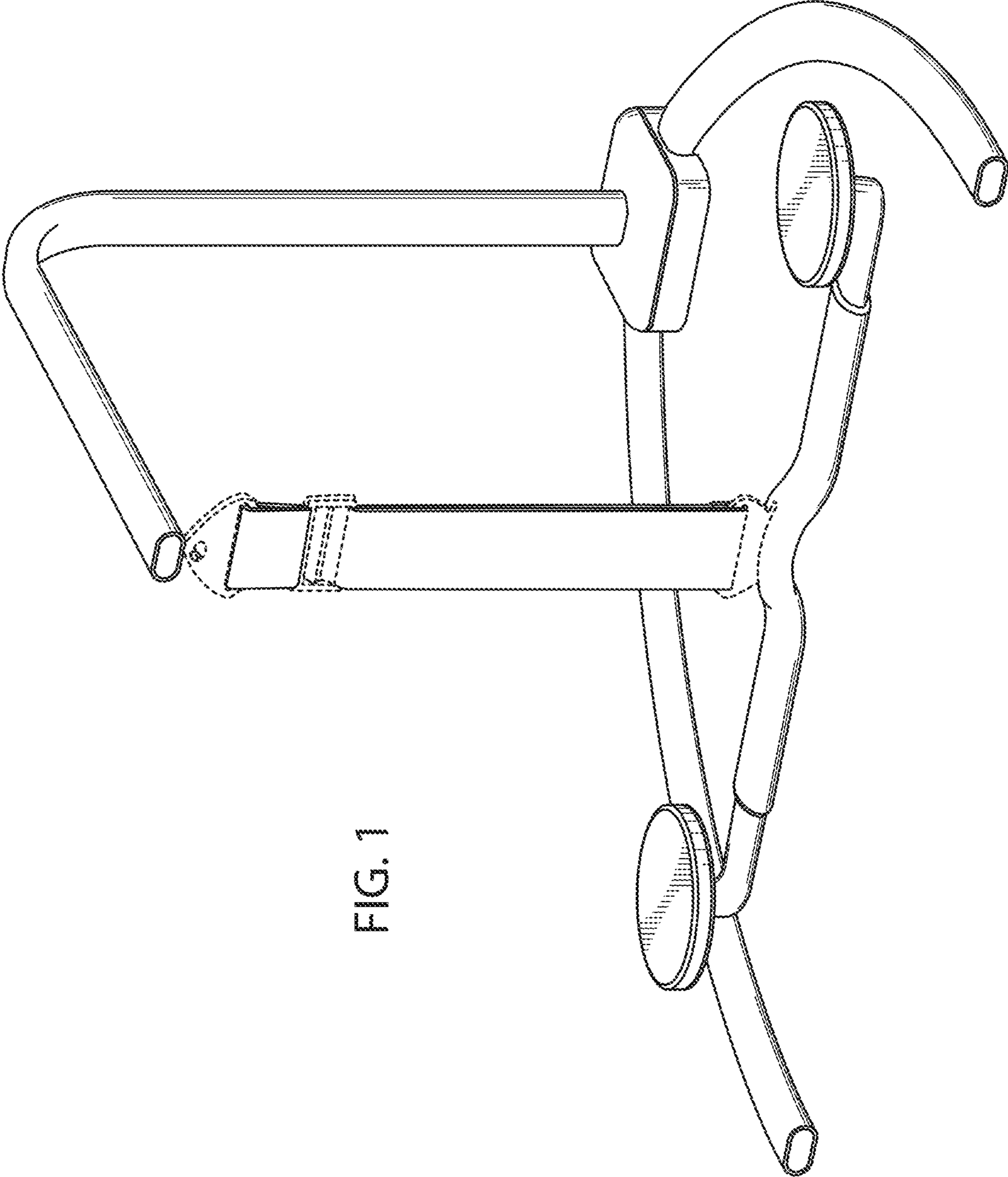


FIG. 1

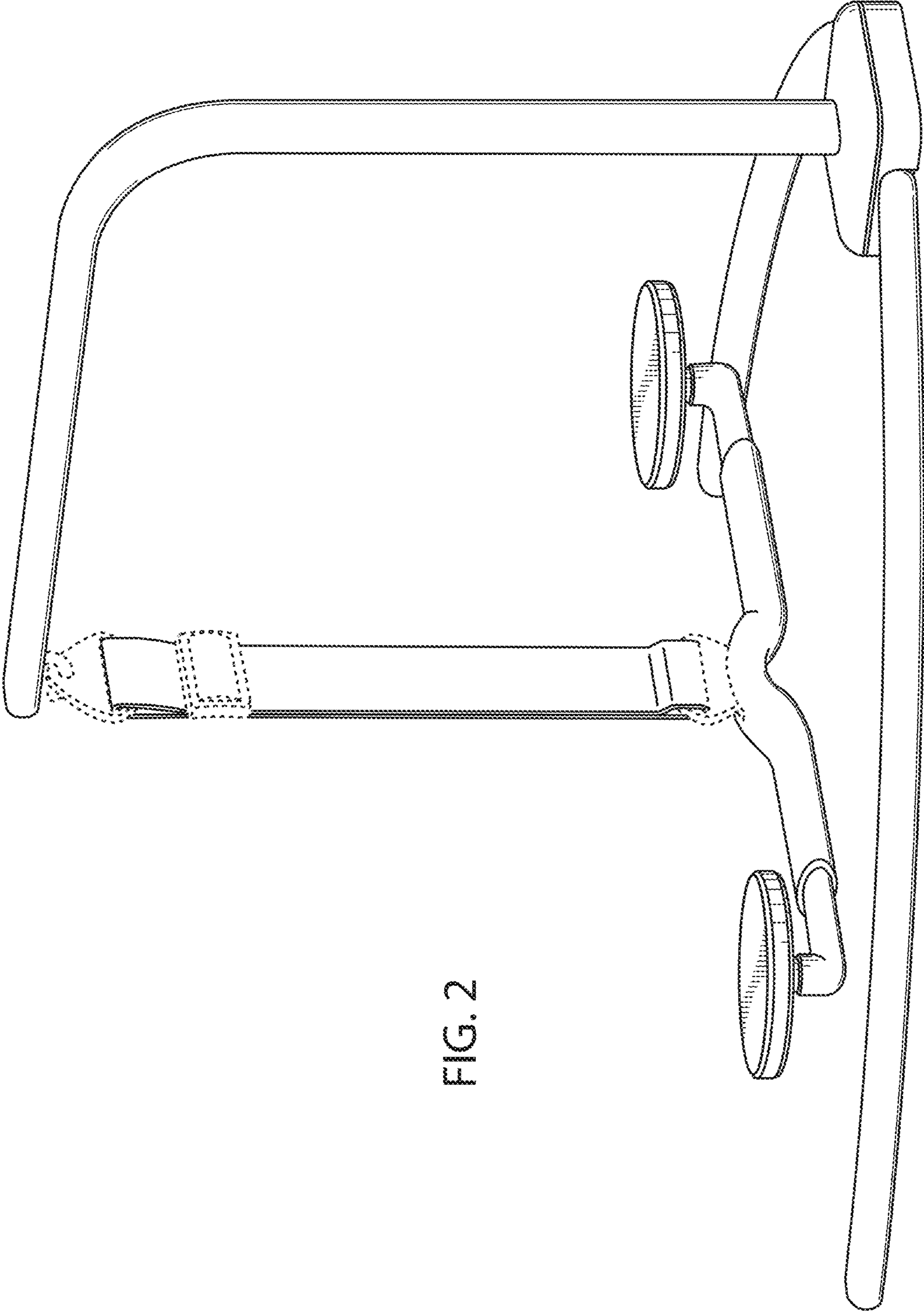


FIG. 2

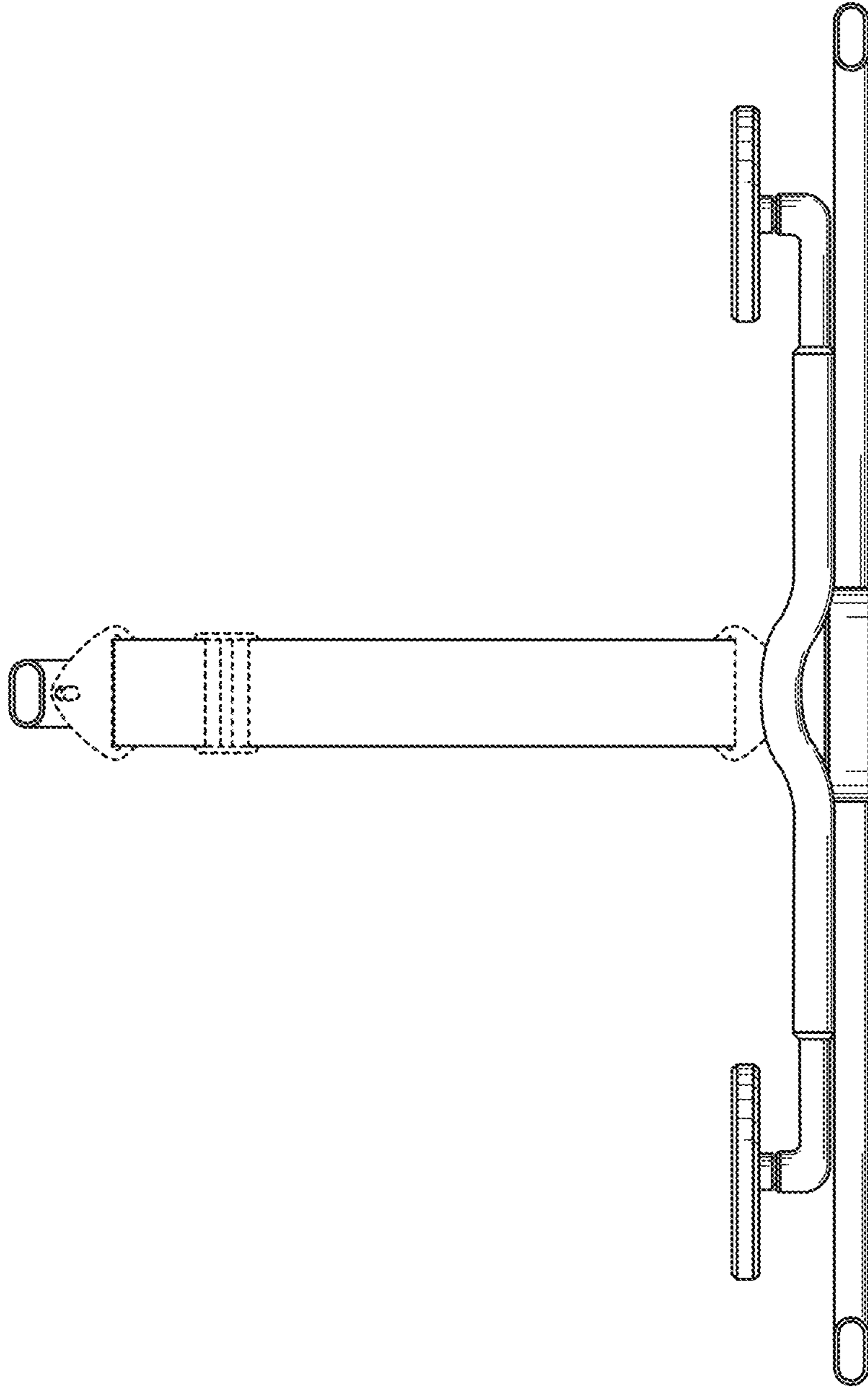


FIG. 3

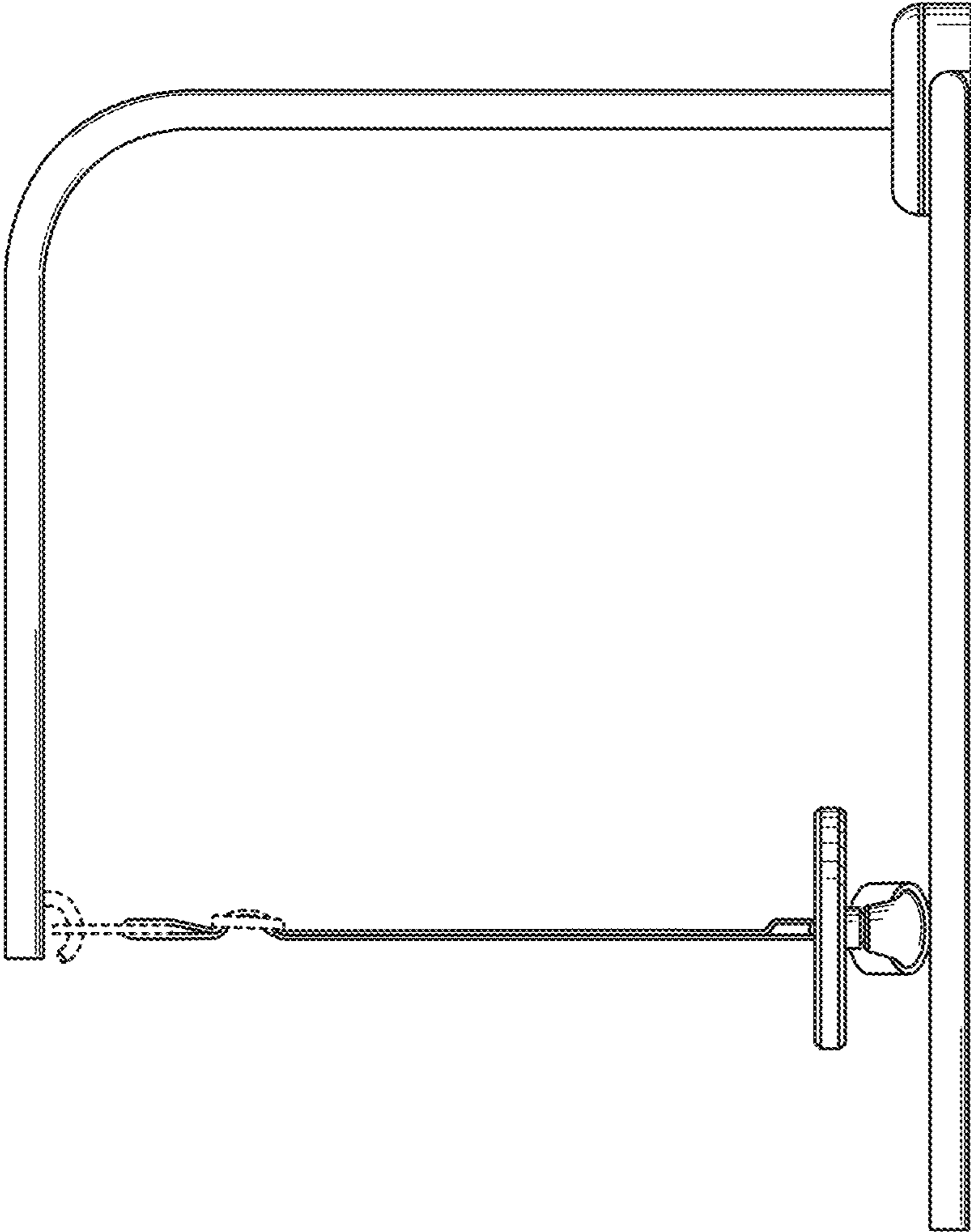


FIG. 4

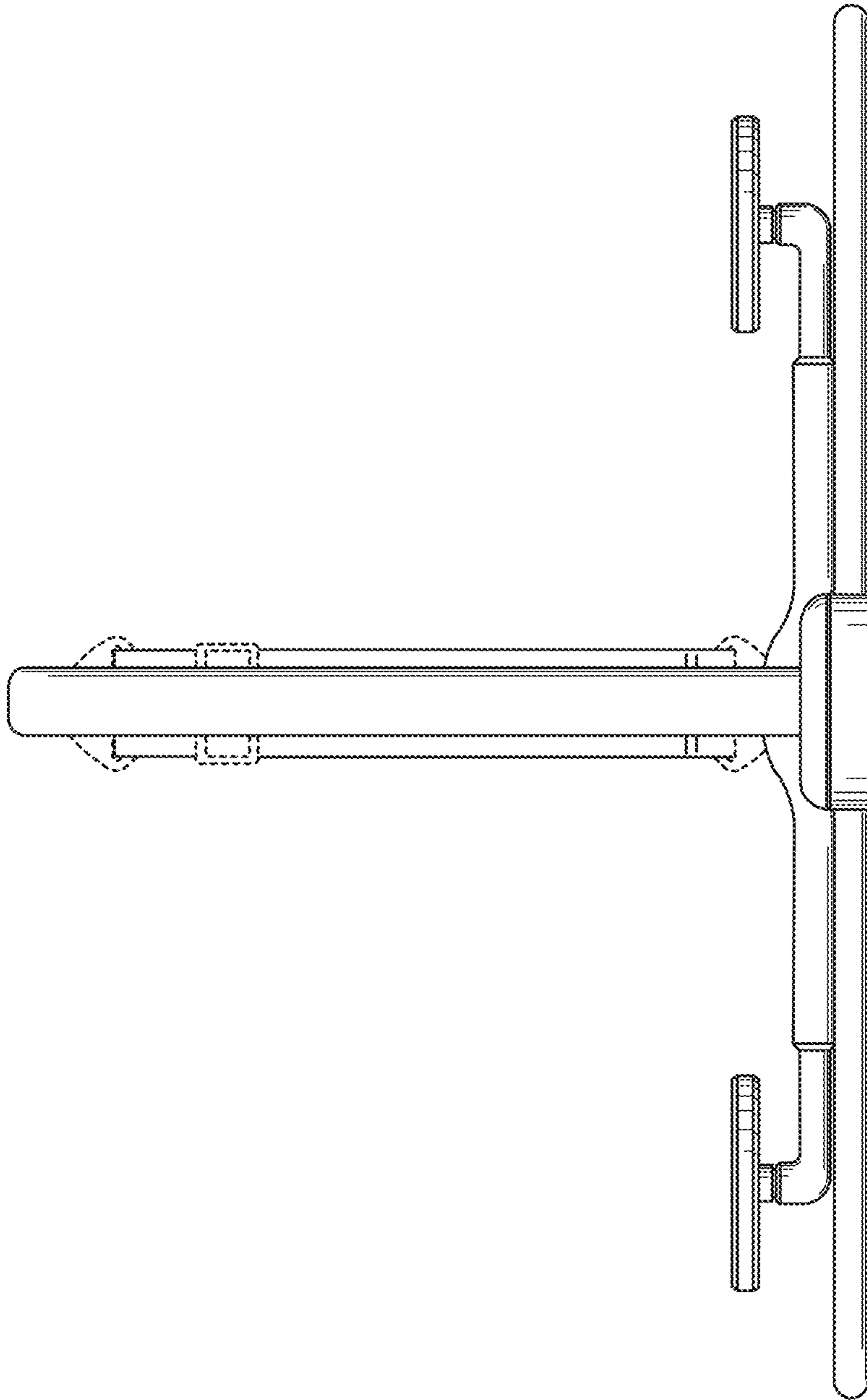


FIG. 5

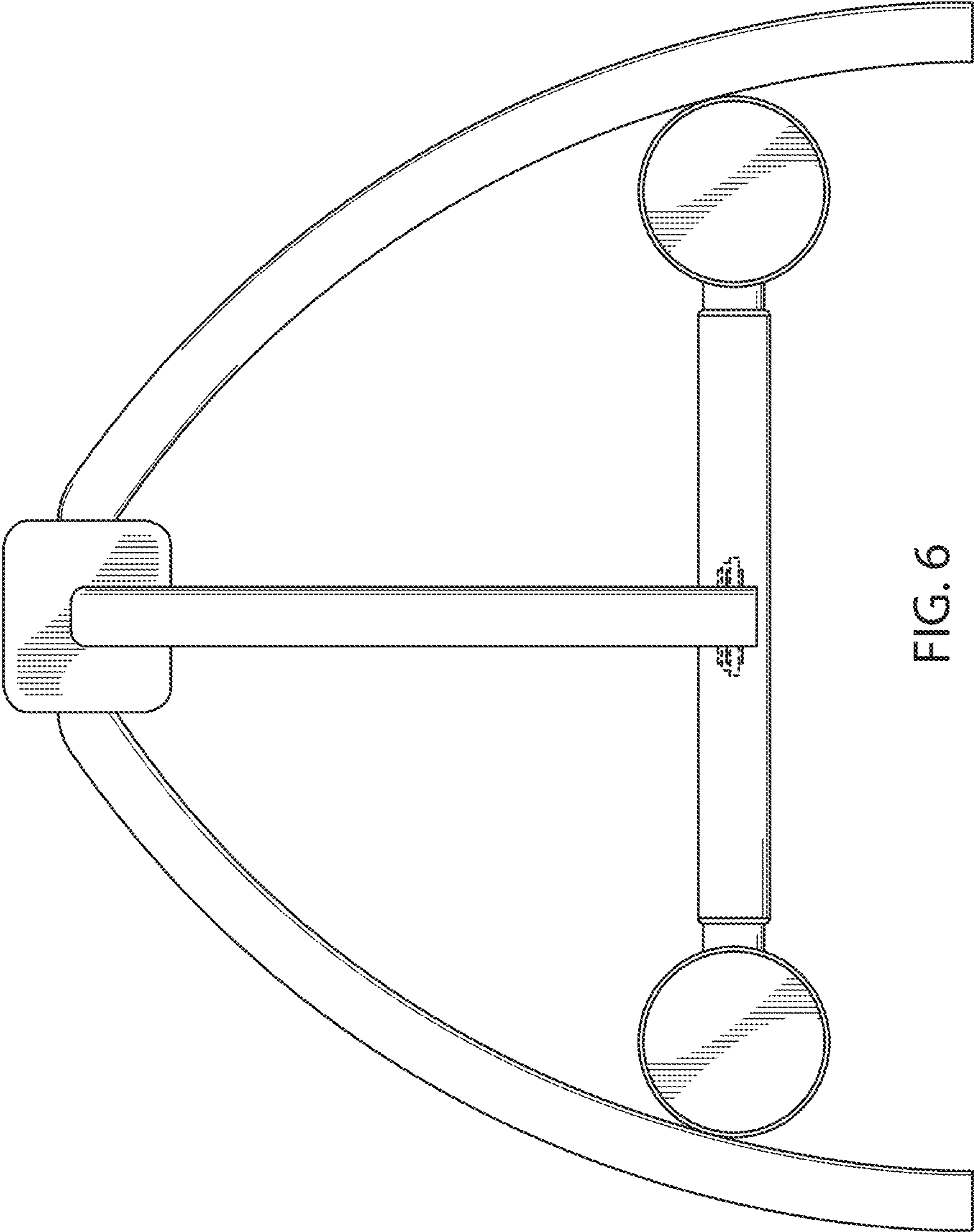


FIG. 6

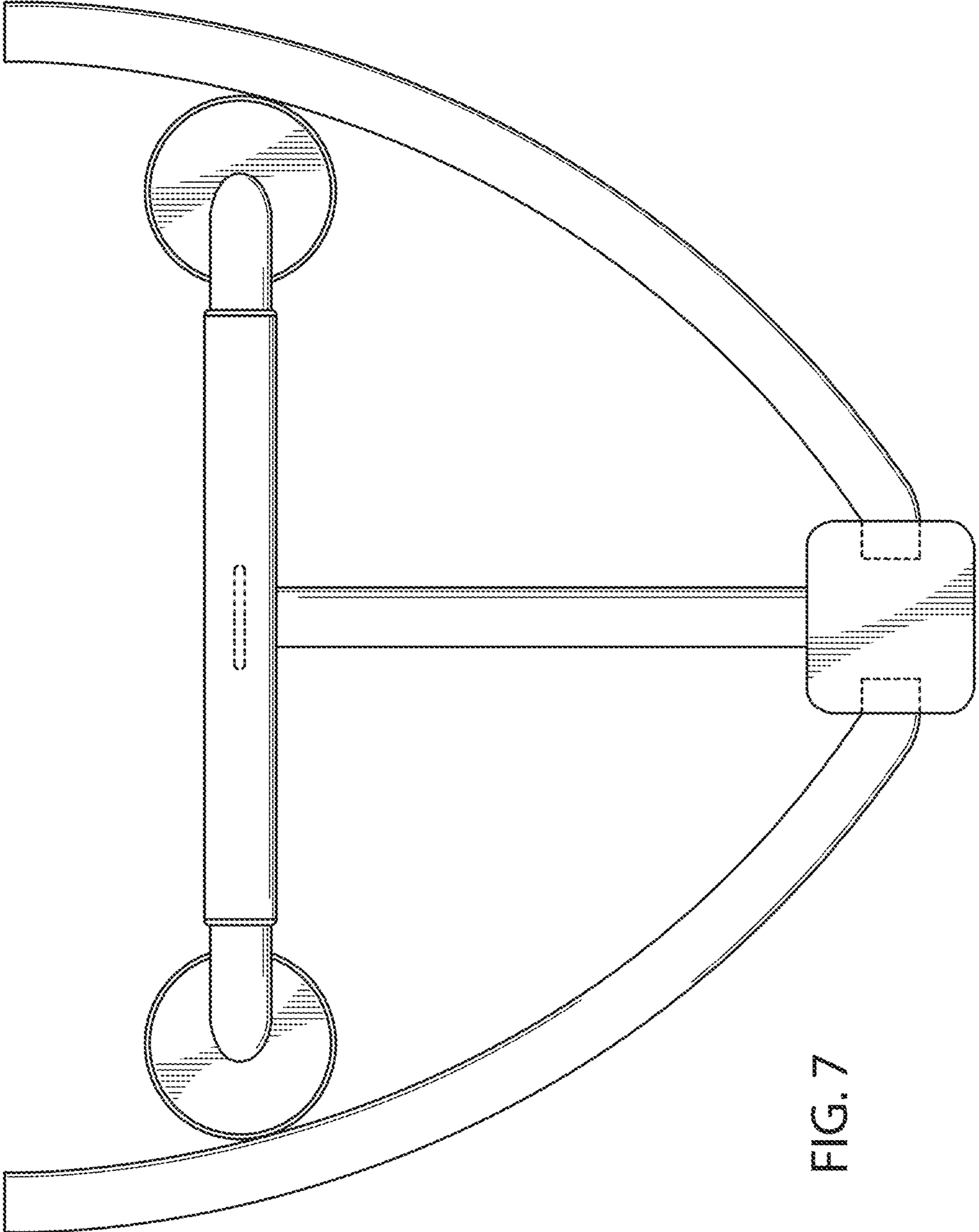


FIG. 7