



US00D823953S

(12) **United States Design Patent**
Kuka

(10) **Patent No.:** **US D823,953 S**
(45) **Date of Patent:** **** *Jul. 24, 2018**

- (54) **EXERCISE WEIGHT BAG**
- (71) Applicant: **Jared Kuka**, Chattanooga, TN (US)
- (72) Inventor: **Jared Kuka**, Chattanooga, TN (US)
- (73) Assignee: **Move Strong Functional Fitness Equipment, LLC**, Chattanooga, TN (US)
- (*) Notice: This patent is subject to a terminal disclaimer.
- (**) Term: **15 Years**
- (21) Appl. No.: **29/542,768**
- (22) Filed: **Oct. 16, 2015**
- (51) **LOC (11) Cl.** **21-02**
- (52) **U.S. Cl.**
USPC **D21/680**
- (58) **Field of Classification Search**
USPC ... 482/93, 106, 109, 110, 139, 38, 126, 108, 482/104, 49, 141, 41, 88, 44, 45, 51, 52, 482/105; D21/692, 662, 680, 684, 686, D21/679, 682, 691, 688, 814, 681, 694, D21/713, 398, 707, 693, 787, 798; D3/262, 276, 282, 294, 905; D1/120, D1/106; D30/160; D9/524; 52/650.2; 450/59; D24/190, 200
CPC A63B 21/0728; A63B 21/075; A63B 21/0724; A63B 21/0726; A63B 21/072; A63B 21/00065; A63B 1/00; A63B 21/0783; A63B 21/0004; A63B 23/12
See application file for complete search history.

- D377,201 S * 1/1997 Howard D21/787
- D389,204 S * 1/1998 Bates, II D21/686
- D402,725 S * 12/1998 Anterhaus D21/787
- 6,106,443 A * 8/2000 Kuo A63B 69/34
482/83
- 6,390,958 B1 * 5/2002 Chu A63B 69/20
482/83
- D468,905 S * 1/2003 Nevins D3/246
- 6,782,572 B1 * 8/2004 Jones A47C 7/383
297/397
- RE39,372 E * 11/2006 Kuo D21/787
- D563,490 S * 3/2008 Prenatt D21/680
- D615,605 S * 5/2010 Frasco D21/682

(Continued)

Primary Examiner — Robert M Spear
Assistant Examiner — Ryan Harvey
(74) *Attorney, Agent, or Firm* — Ryan D. Levy; Patterson Intellectual Property Law, P.C.

(57) **CLAIM**

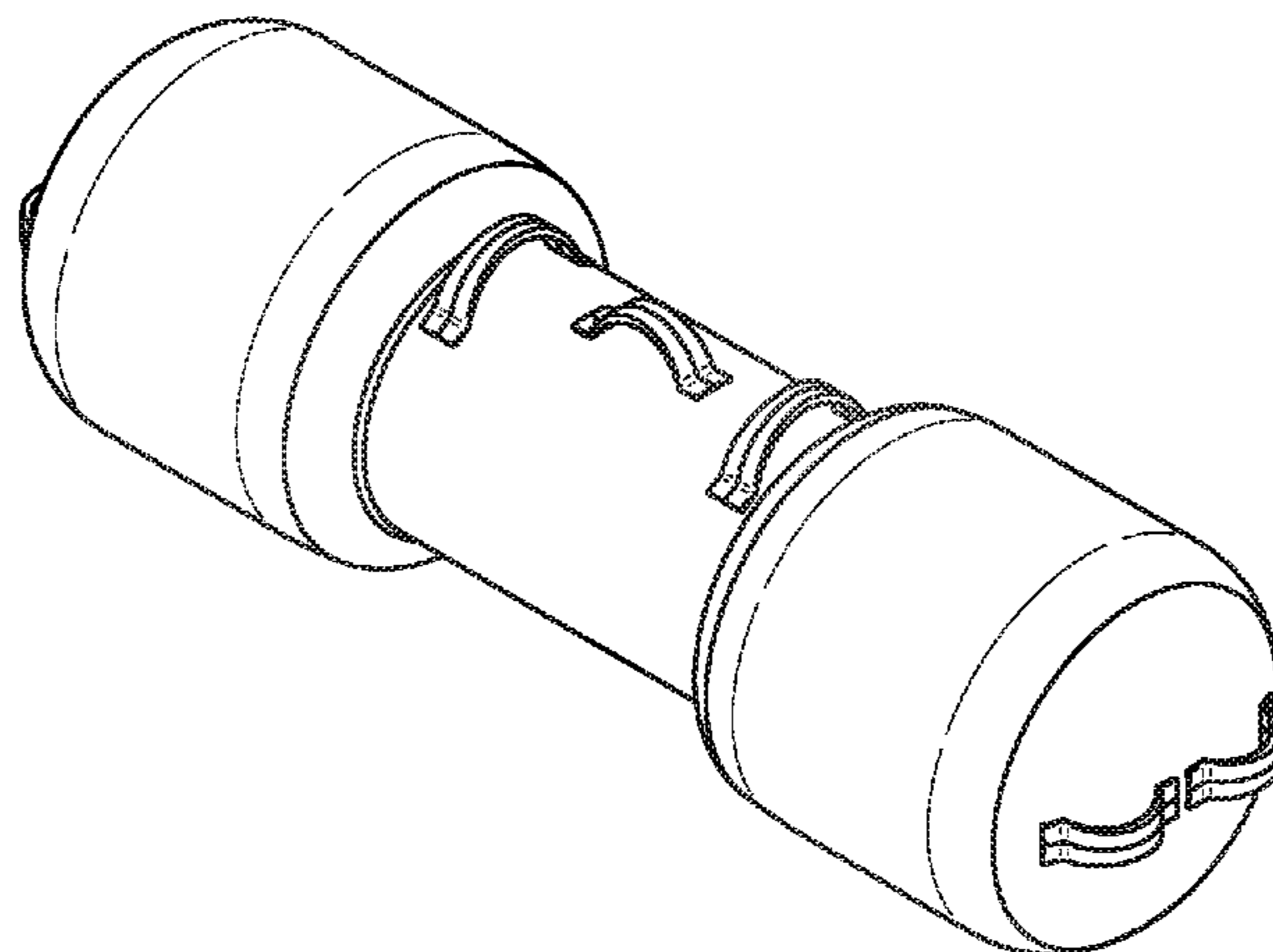
The ornamental design for an exercise weight bag, as shown and described.

DESCRIPTION

FIG. 1 is a side perspective view of the exercise weight bag of applicant's invention.
FIG. 2 is a top view of the exercise weight bag of applicant's invention.
FIG. 3 is a front view of the exercise weight bag of applicant's invention.
FIG. 4 is a bottom view of the exercise weight bag of applicant's invention, both side views being the same.
FIG. 5 is an end view of the exercise weight bag of applicant's invention.
FIG. 6 is a view of the exercise weight bag of applicant's invention being pushed by a user; and,
FIG. 7 is a view of the exercise weight bag of applicant's invention being held by a user.
The broken line showing of a human figure and floor depicts environment and forms no part of the claim.

1 Claim, 3 Drawing Sheets

- (56) **References Cited**
U.S. PATENT DOCUMENTS
5,044,626 A * 9/1991 Parker, Jr. A61H 23/06
482/132
5,393,285 A * 2/1995 Fischer, Sr. A63B 21/0602
482/106



(56)

References Cited

U.S. PATENT DOCUMENTS

8,727,951 B2 * 5/2014 Jones A63B 21/0602
482/109
D708,485 S * 7/2014 VanDyke D7/625
D709,976 S * 7/2014 Clauder D21/787
8,771,152 B1 * 7/2014 Silverman A63B 69/20
482/88
D762,042 S * 7/2016 Osenga D1/106
9,526,941 B2 * 12/2016 Wu A63B 21/0728
9,550,088 B2 * 1/2017 Coopol A63B 21/0724
2005/0187075 A1 * 8/2005 Bellamy A63B 21/0004
482/93
2008/0280534 A1 * 11/2008 Chandler A45D 44/22
450/59
2012/0149536 A1 * 6/2012 Trimble A63B 21/00065
482/93
2013/0072357 A1 * 3/2013 Galvan A63B 69/34
482/83
2015/0051053 A1 * 2/2015 Conen A63B 21/0603
482/108
2015/0273306 A1 * 10/2015 Fu A63B 69/201
482/87
2016/0129292 A1 * 5/2016 Stroup A63B 21/00065
482/93

* cited by examiner

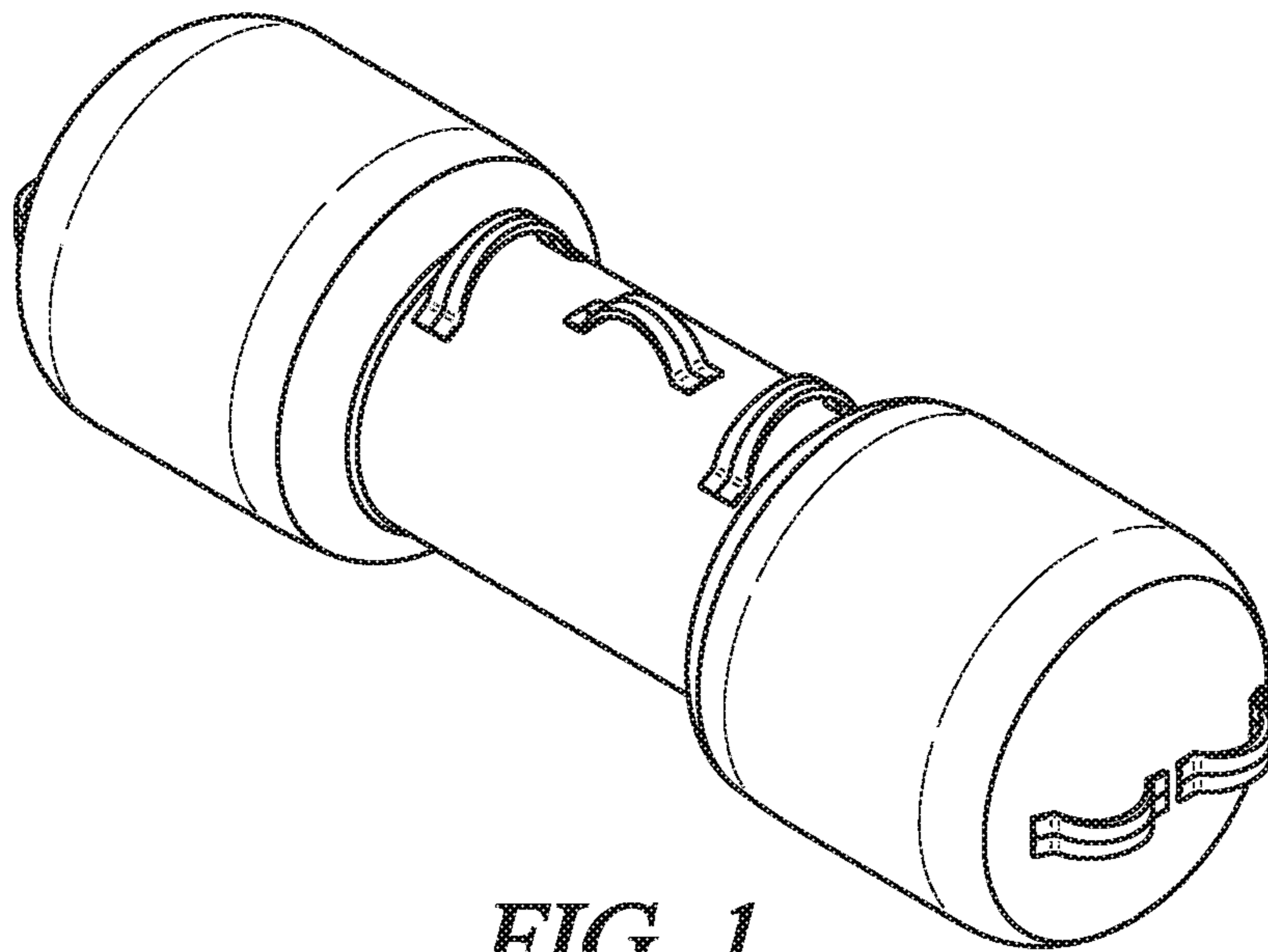


FIG. 1

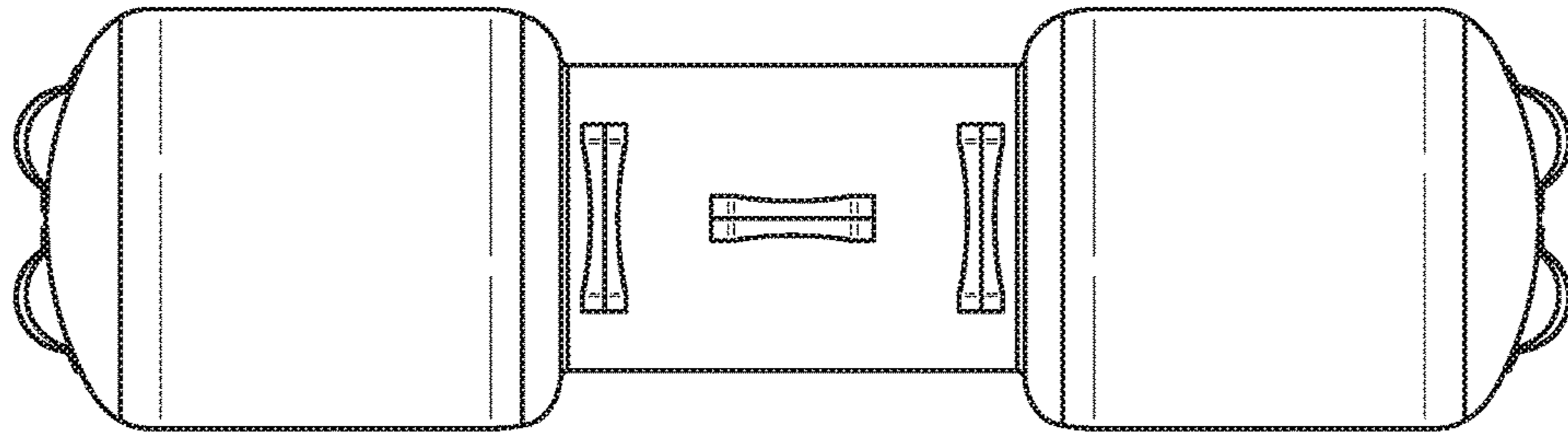


FIG. 2

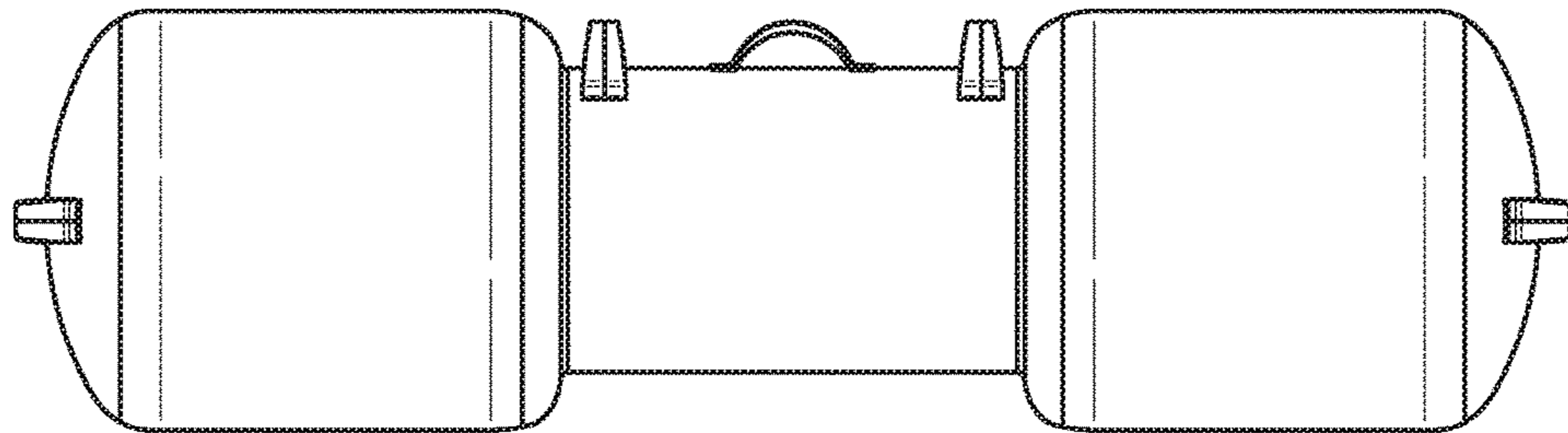


FIG. 3

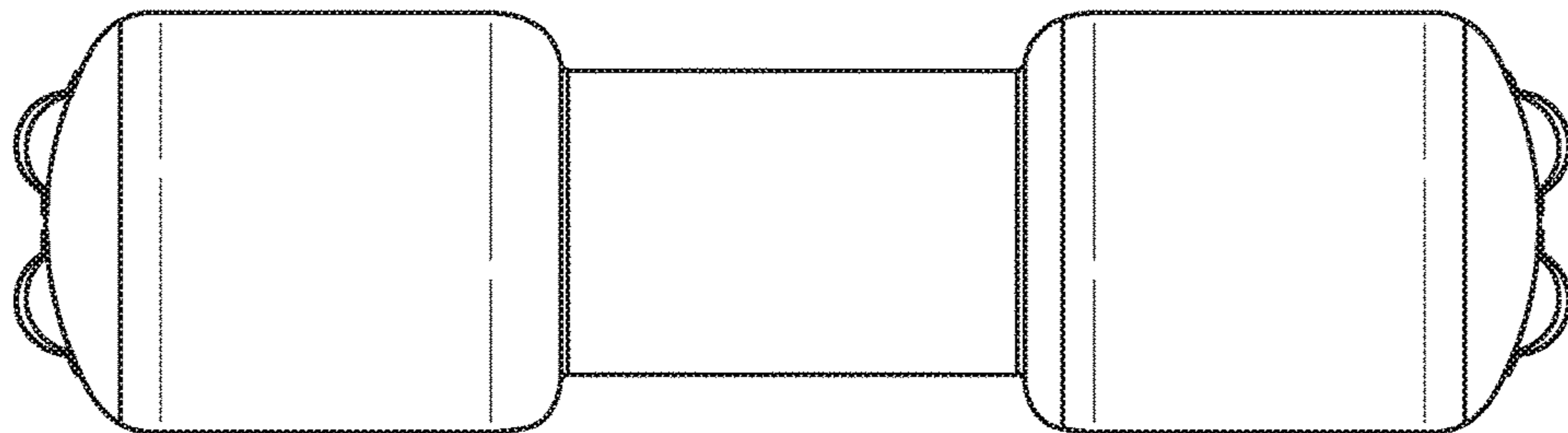


FIG. 4

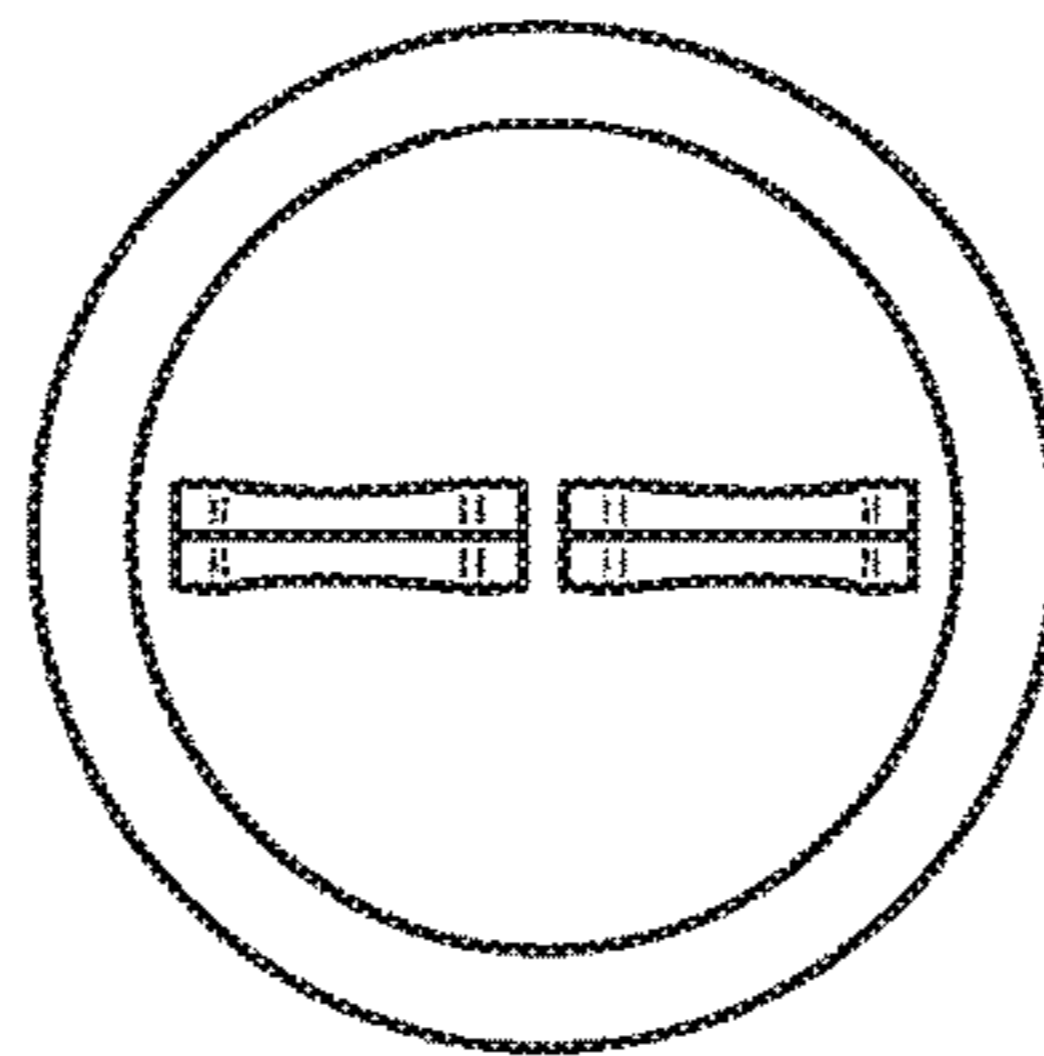


FIG. 5

