

US00D823952S

(12) **United States Design Patent**
Shulte

(10) **Patent No.:** **US D823,952 S**

(45) **Date of Patent:** **** Jul. 24, 2018**

(54) **SPORTS AND FITNESS EQUIPMENT**

(71) Applicant: **Natalia Shulte**, Odessa (UA)

(72) Inventor: **Natalia Shulte**, Odessa (UA)

(**) Term: **15 Years**

(21) Appl. No.: **35/502,683**

(22) Filed: **Jan. 19, 2017**

(80) **Hague Agreement Data**

Int. Filing Date: **Jan. 19, 2017**

Int. Reg. No.: **DM/095202**

Int. Reg. Date: **Jan. 19, 2017**

Int. Reg. Pub. Date: **Mar. 24, 2017**

(51) **LOC (11) Cl.** **21-02**

(52) **U.S. Cl.**
USPC **D21/679**

(58) **Field of Classification Search**
USPC D21/725, 791, 662, 679, 681, 682, 680;
D24/188

CPC A63B 15/00
See application file for complete search history.

(56) **References Cited**

U.S. PATENT DOCUMENTS

- 4,602,788 A * 7/1986 Wendt A63B 15/00
473/242
- D339,621 S * 9/1993 Briden D21/725
- 5,330,190 A * 7/1994 Oakley, Jr. A63B 15/005
473/234
- D428,461 S * 7/2000 Koszalinski D21/791
- D566,205 S * 4/2008 Oates D21/662

- D573,670 S * 7/2008 Mullins D21/679
- 7,557,286 B2 * 7/2009 Capotosto A63B 15/00
482/109
- D627,836 S * 11/2010 Hanoun D21/680
- D631,518 S * 1/2011 Coote D21/679
- D657,010 S * 4/2012 Cen D21/679
- D657,831 S * 4/2012 Kurpat D21/662
- D723,637 S * 3/2015 Mercado D21/679
- D731,009 S * 6/2015 Preston D21/681
- D734,408 S * 7/2015 Capps D21/681
- D748,744 S * 2/2016 Hansen D21/679
- D798,396 S * 9/2017 Agate D21/679
- D802,153 S * 11/2017 Kelly D24/188

* cited by examiner

Primary Examiner — George D. Kirschbaum

(57) **CLAIM**

The ornamental design for a sports and fitness equipment, as shown and described.

DESCRIPTION

- 1. Sports and fitness equipment
- 1.1 Perspective view
- 1.2 Exploded view
- 1.3 back view
- 1.4 enlarged view
- 1.5 enlarged view

The article of subject design represents a stylized fencing sword consisting of precast components: a blade with a tip, a grip, a guard and a weight; the mass of the equipment may be changed through weight replacement with another of greater or lesser weight; both blade and its grip are coated with silicone; the tip is also made from silicone; the article is used for training, where the fitness activities and exercises are practiced with such equipment.

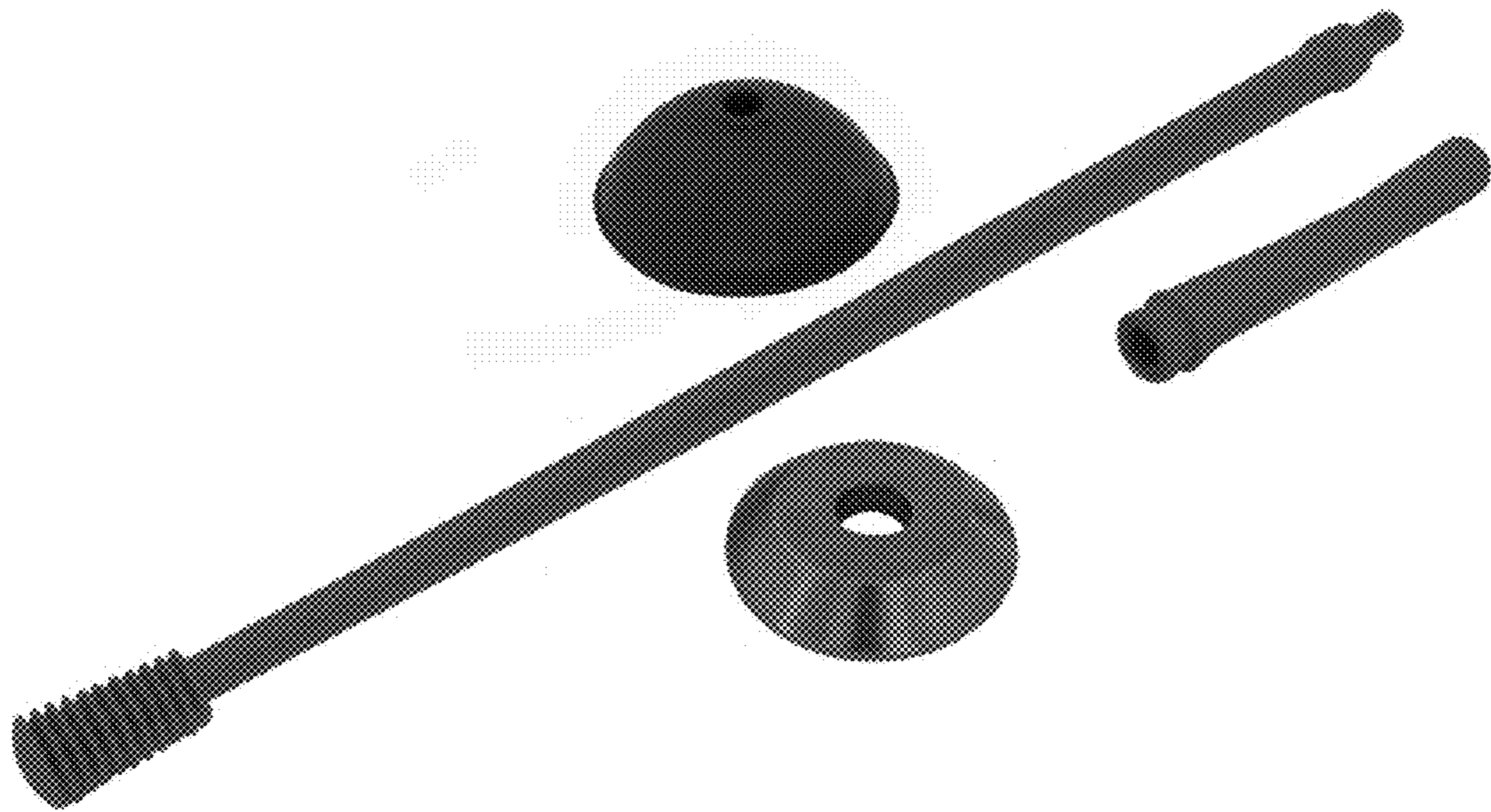
1 Claim, 5 Drawing Sheets



1.1



1.2



1.3



1.4



1.5

