



US00D823950S

(12) **United States Design Patent** (10) **Patent No.:** **US D823,950 S**
Turocy et al. (45) **Date of Patent:** **** Jul. 24, 2018**

(54) **TOY SEGMENT**

33/086; A63H 33/26; B25J 9/065; B25J 9/08; G09B 1/325; G09B 1/36

(71) Applicant: **Mattel, Inc.**, El Segundo, CA (US)

See application file for complete search history.

(72) Inventors: **Erik Morris Turocy**, Columbus, OH (US); **Donald W. Stucke, Jr.**, East Aurora, NY (US)

(56) **References Cited**

U.S. PATENT DOCUMENTS

(73) Assignee: **Mattel, Inc.**, El Segundo, CA (US)

D164,549 S *	9/1951	Brice	D21/592
D217,165 S *	4/1970	Klamer et al.	D21/658
4,509,920 A *	4/1985	Kaufmann	G09B 19/02
			273/157 R
4,671,779 A *	6/1987	Kurosawa	A63H 31/00
			446/278
D388,141 S *	12/1997	Nielsen	D21/585
D413,355 S *	8/1999	Cogliano	D19/59
D423,982 S *	5/2000	Nethercutt	D11/130
6,074,212 A *	6/2000	Cogliano	G09B 5/06
			434/159
D461,209 S *	8/2002	Hornsby	D21/650

(**) Term: **15 Years**

(21) Appl. No.: **29/557,938**

(22) Filed: **Mar. 14, 2016**

(51) **LOC (11) Cl.** **21-01**

(52) **U.S. Cl.**

USPC **D21/658**

(58) **Field of Classification Search**

USPC D21/333, 398, 405, 468, 475, 478, 479, D21/484, 492, 493, 494, 495, 497, D21/503-505, 533, 540, 541, 552, 558, D21/560, 561, 562, 563, 565, 576-661; 446/69, 72, 85, 90, 91, 93-97, 100, 102, 446/103, 117, 120, 121, 122, 124, 446/268-294, 297, 303, 320, 321, 330, 446/353, 368, 376, 383, 384, 390, 391, 446/404, 409, 410, 431, 438, 439, 441, 446/444, 448, 449, 454-457, 465, 446/467-471, 484, 485, 489, 491

CPC . A63H 3/006; A63H 3/16; A63H 3/20; A63H 3/36; A63H 3/46; A63H 7/00; A63H 7/06; A63H 11/00; A63H 11/10; A63H 11/12; A63H 13/00; A63H 13/02; A63H 17/00; A63H 17/002; A63H 17/25; A63H 17/26; A63H 17/262; A63H 17/264; A63H 17/266; A63H 17/28; A63H 17/30; A63H 17/395; A63H 19/15; A63H 19/16; A63H 19/18; A63H 19/20; A63H 19/22; A63H 30/00; A63H 30/02; A63H 30/04; A63H 33/003; A63H 33/005; A63H 33/04; A63H 33/042; A63H 33/08; A63H

(Continued)

Primary Examiner — Catherine A Tuttle

(74) *Attorney, Agent, or Firm* — Edell, Shapiro & Finnan, LLC

(57) **CLAIM**

The ornamental design for a toy segment, as shown and described.

DESCRIPTION

FIG. 1 is a front perspective view of a toy segment showing our new design;

FIG. 2 is a top view thereof;

FIG. 3 is a bottom view thereof;

FIG. 4 is a right side view thereof;

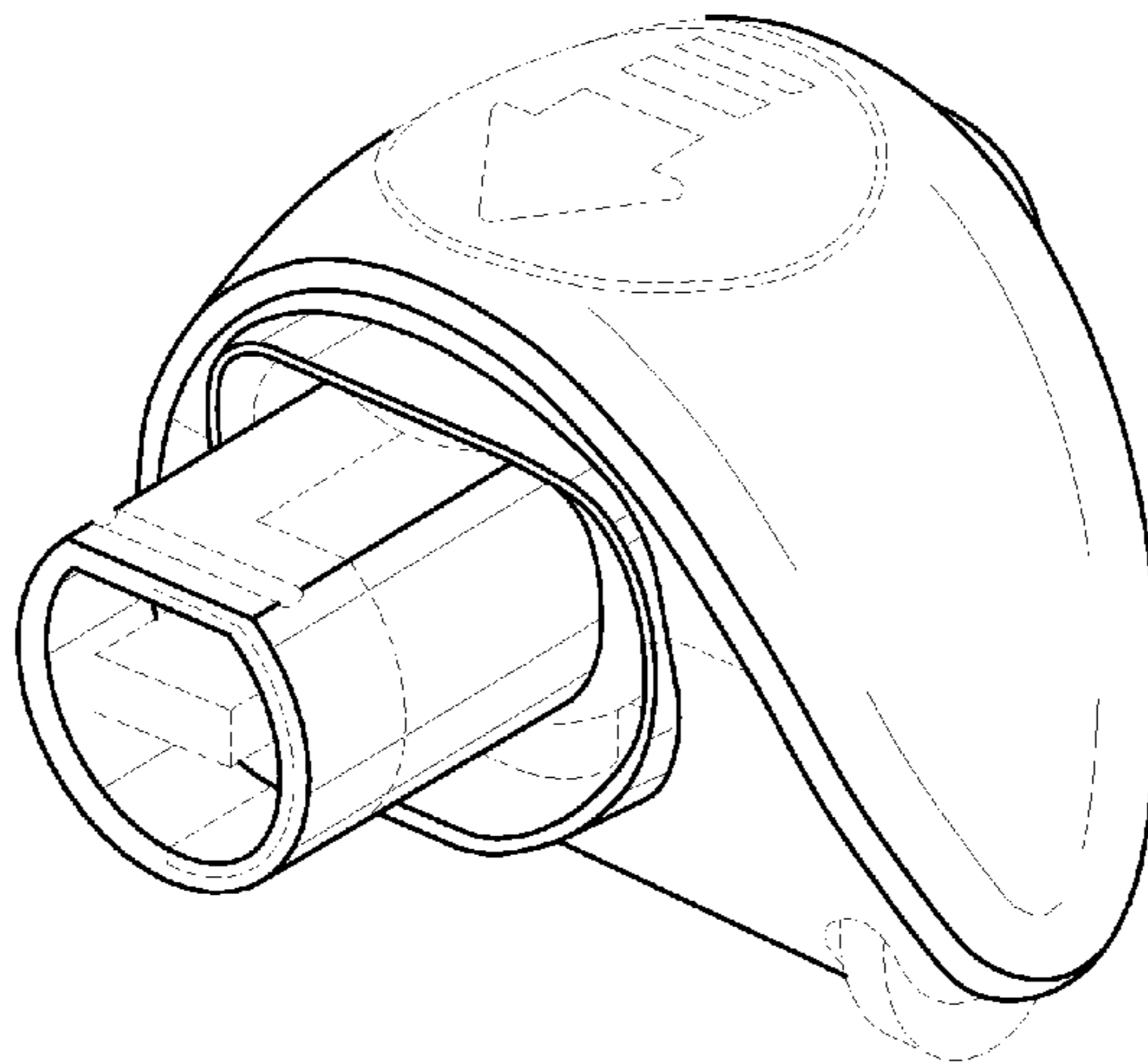
FIG. 5 is a left side view thereof;

FIG. 6 is a front view thereof; and,

FIG. 7 is a rear view thereof.

The broken lines shown in the figures are included for the purpose of illustrating the portions of the article that form no part of the claimed design.

1 Claim, 7 Drawing Sheets



(56)

References Cited

U.S. PATENT DOCUMENTS

6,679,750 B1 * 1/2004 Nielsen A63H 7/00
446/278
D569,923 S * 5/2008 Pasko D21/560
7,747,352 B2 * 6/2010 Raffle B25J 9/08
318/560
D624,974 S * 10/2010 Taylor D21/592
D669,140 S * 10/2012 Mimlitch, III D21/578
D797,861 S * 9/2017 Turocy D21/650
2003/0038607 A1 * 2/2003 Yim A63H 33/042
318/568.11
2004/0193318 A1 * 9/2004 Ito B25J 9/06
700/245
2009/0030562 A1 * 1/2009 Jacobsen B08B 9/045
701/2
2009/0137186 A1 * 5/2009 Willett A63H 11/10
446/368
2011/0287690 A1 * 11/2011 Taylor A63H 11/12
446/368
2013/0040531 A1 * 2/2013 Ferron A63H 33/107
446/85
2014/0094088 A1 * 4/2014 Olivera A63H 11/12
446/353
2014/0227936 A1 * 8/2014 Botterill A63H 33/04
446/99

* cited by examiner

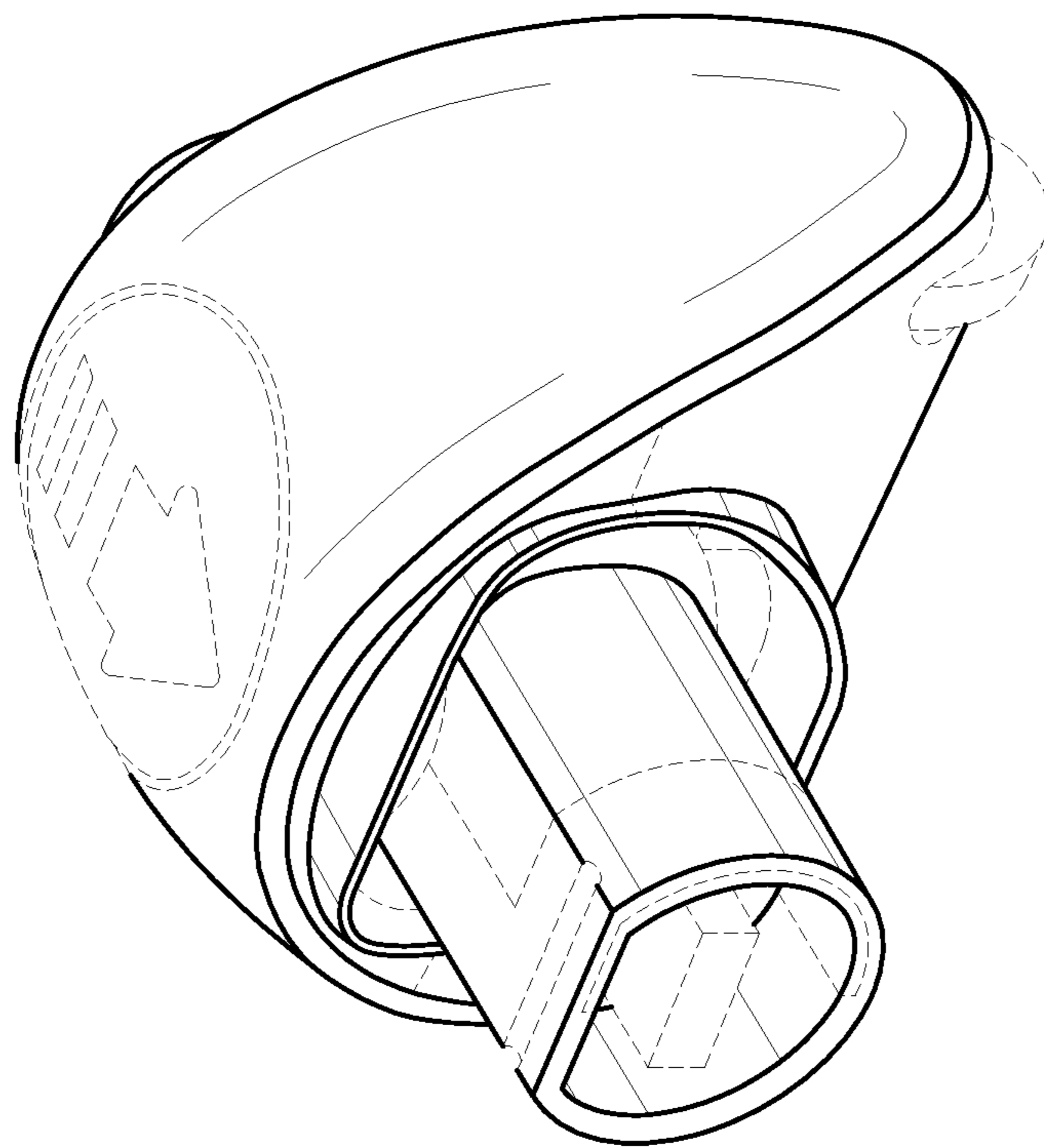


FIG. 1

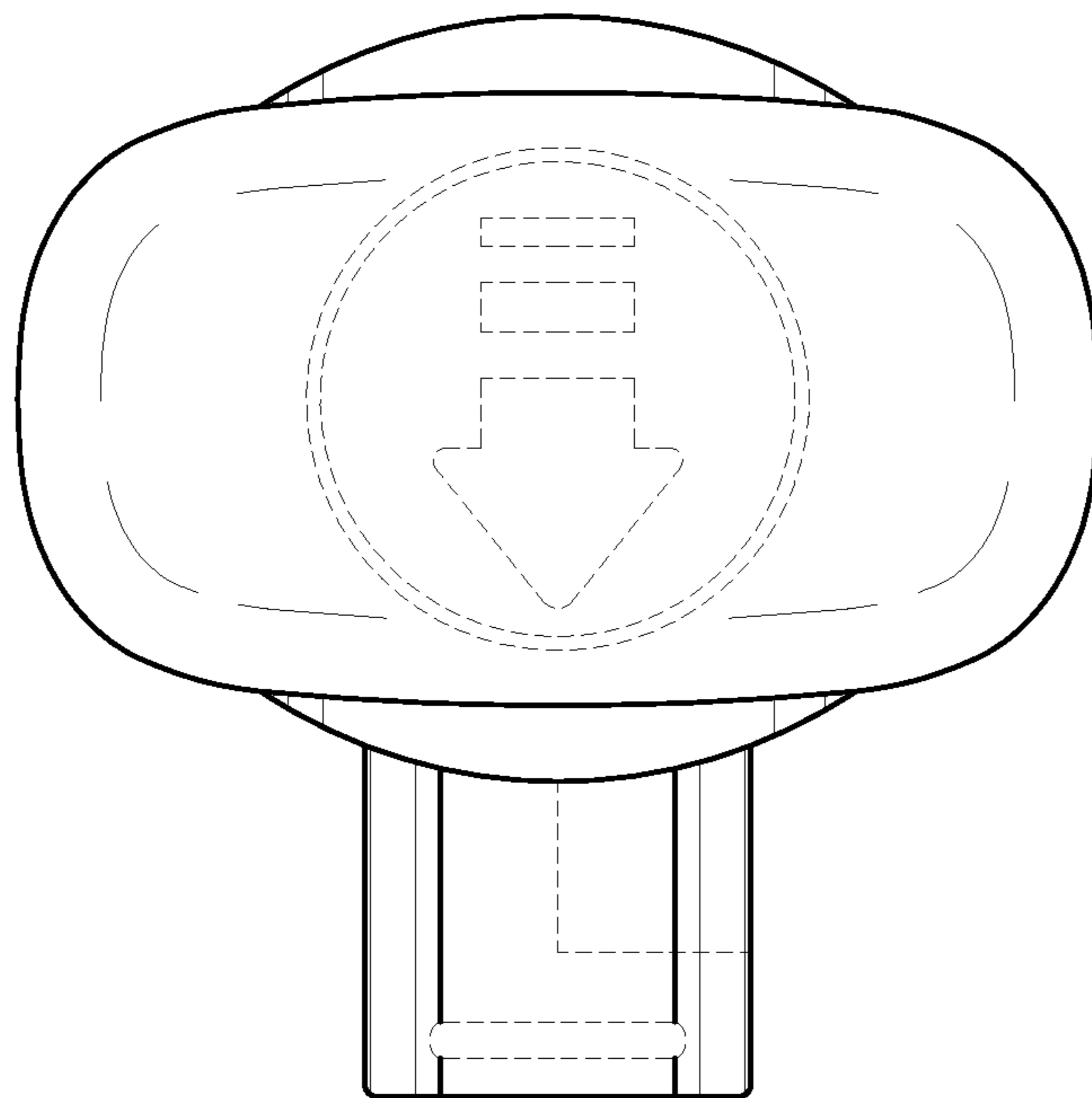


FIG.2

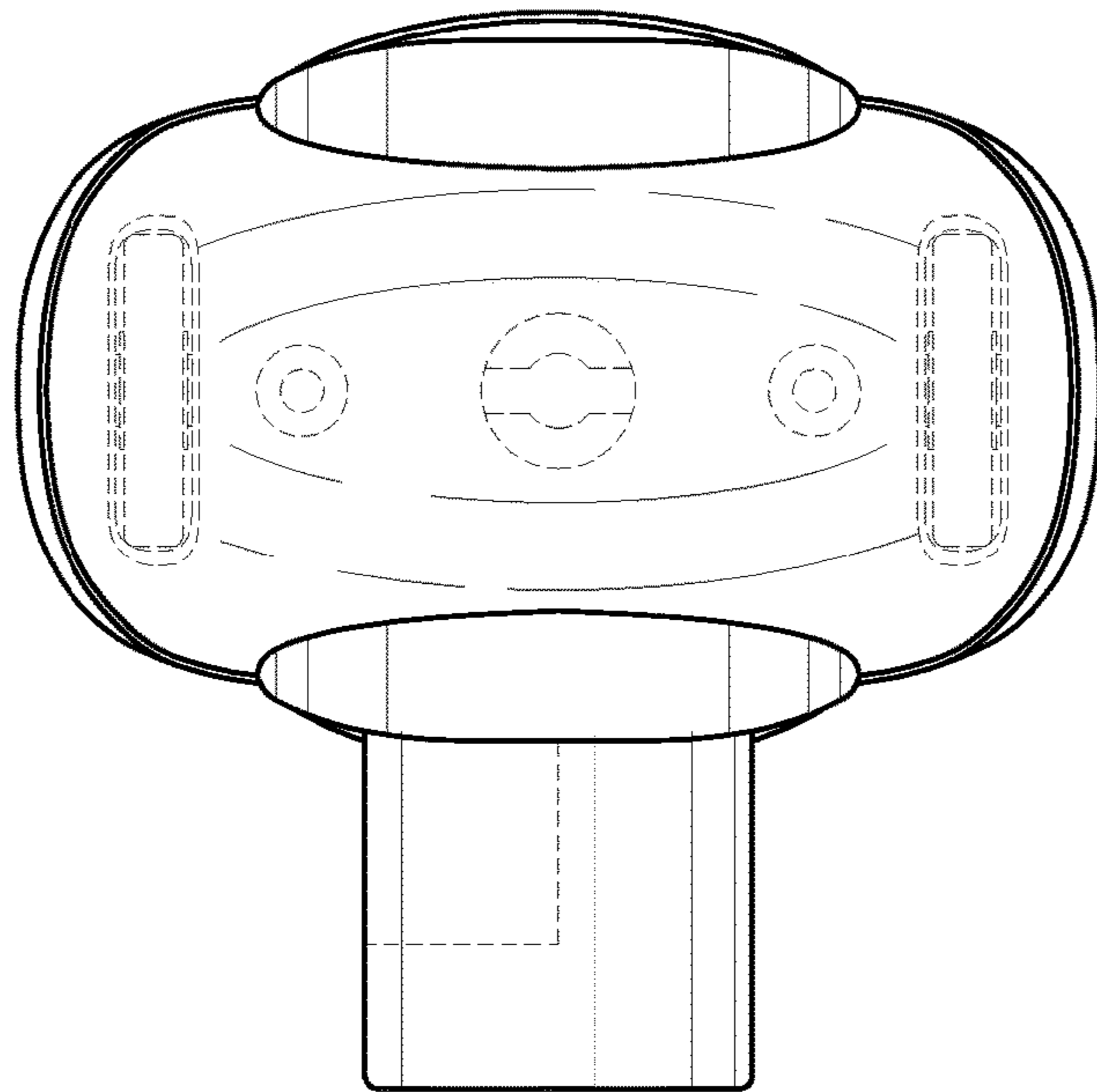


FIG.3

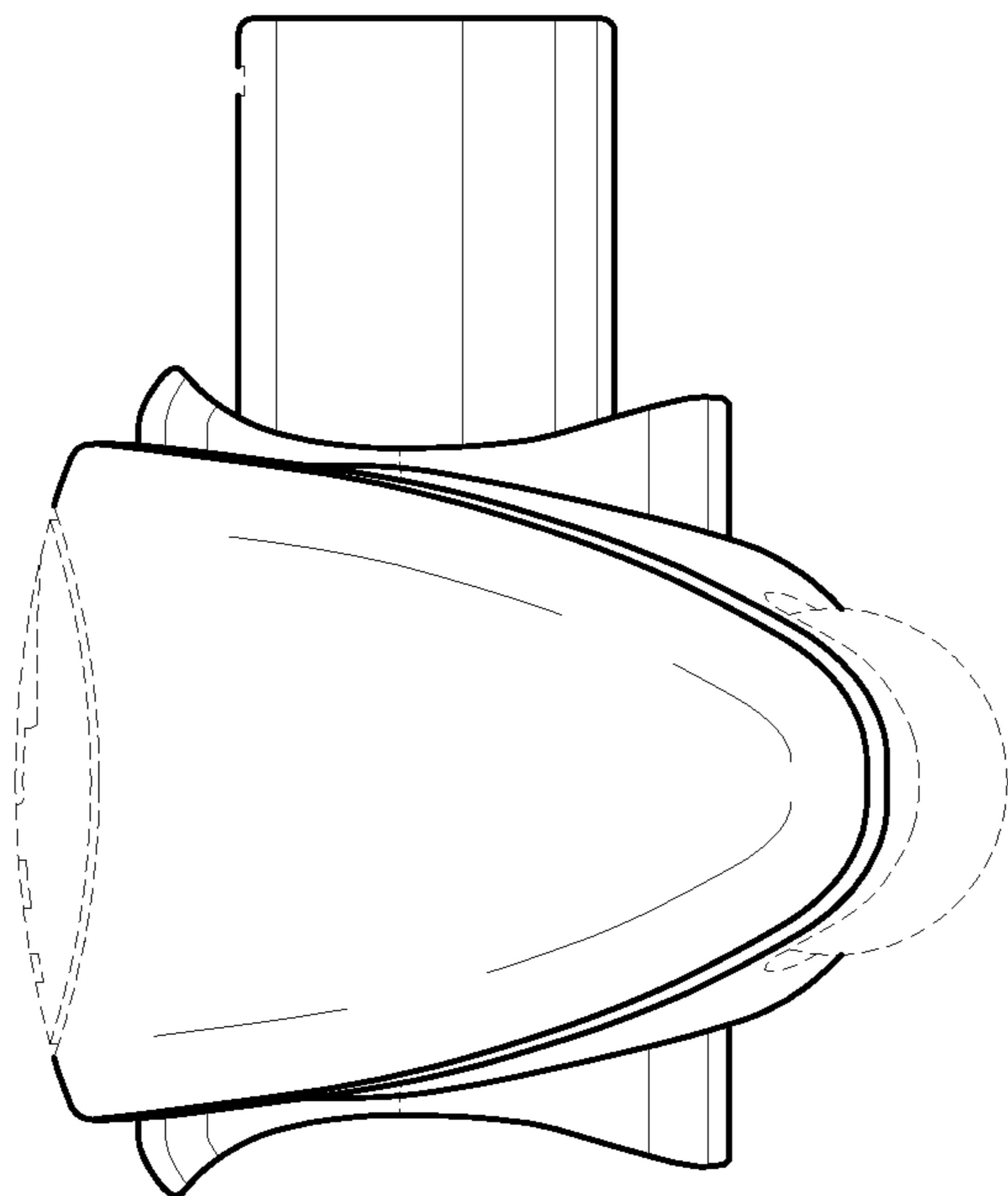


FIG.4

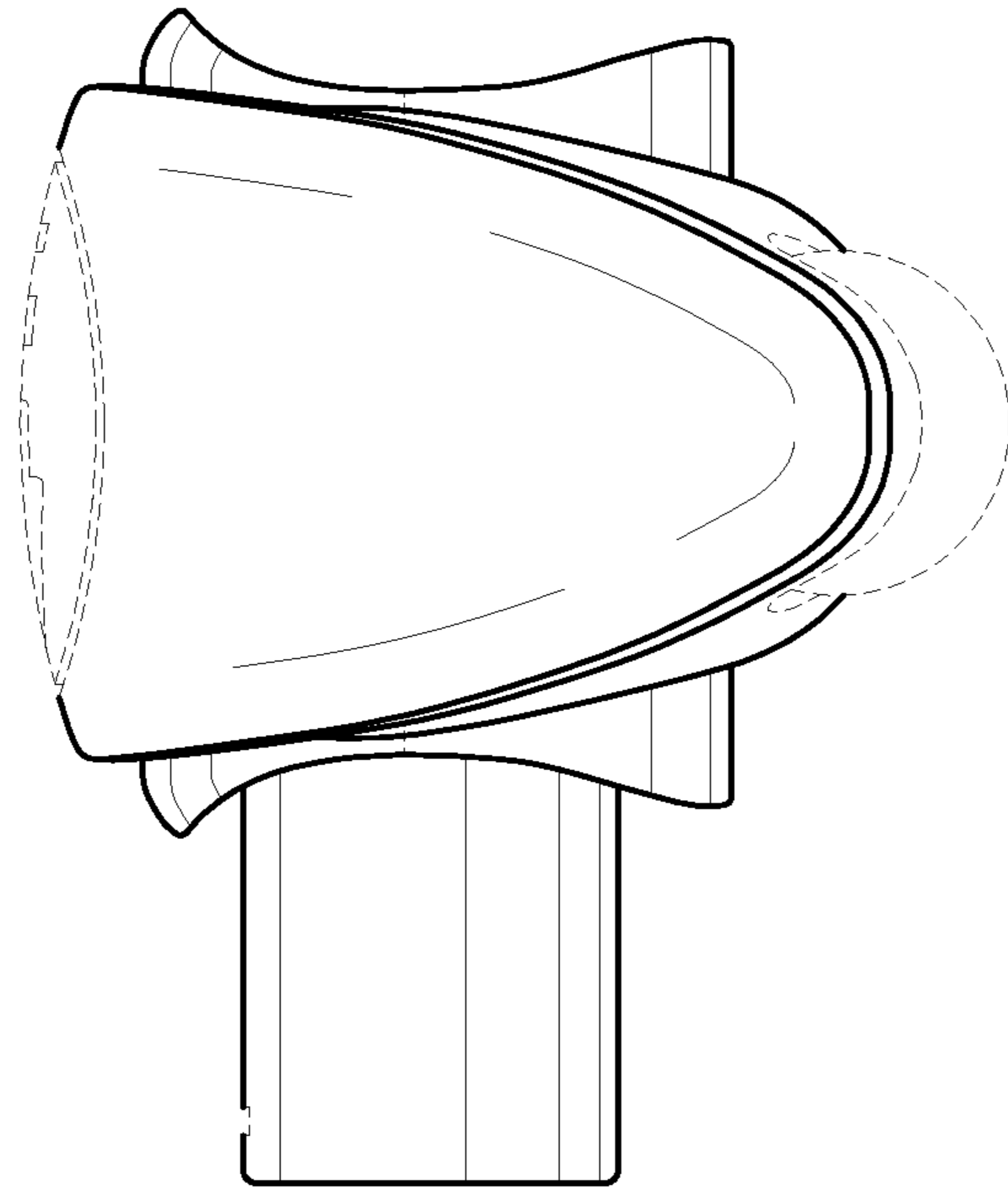


FIG.5

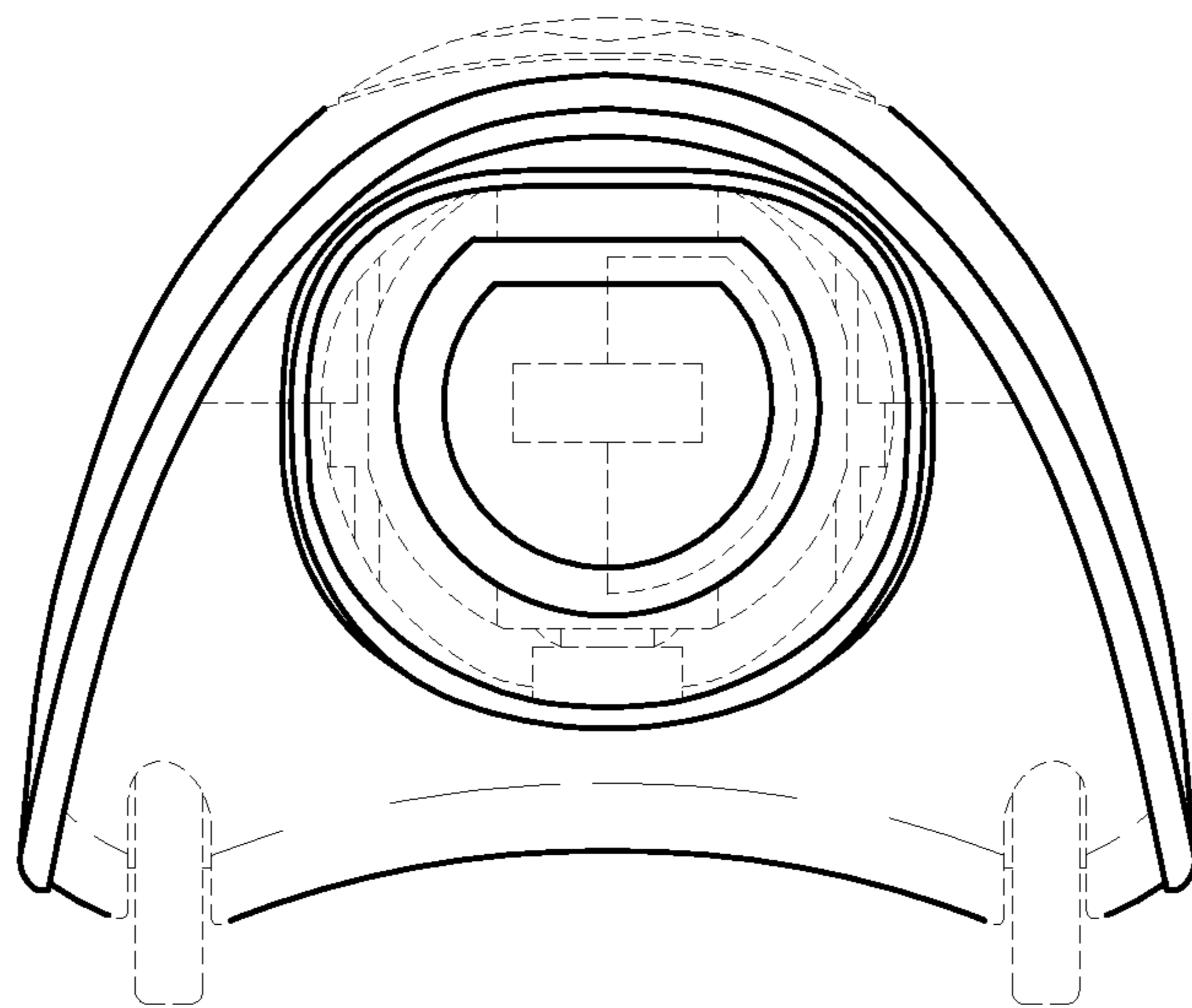


FIG.6

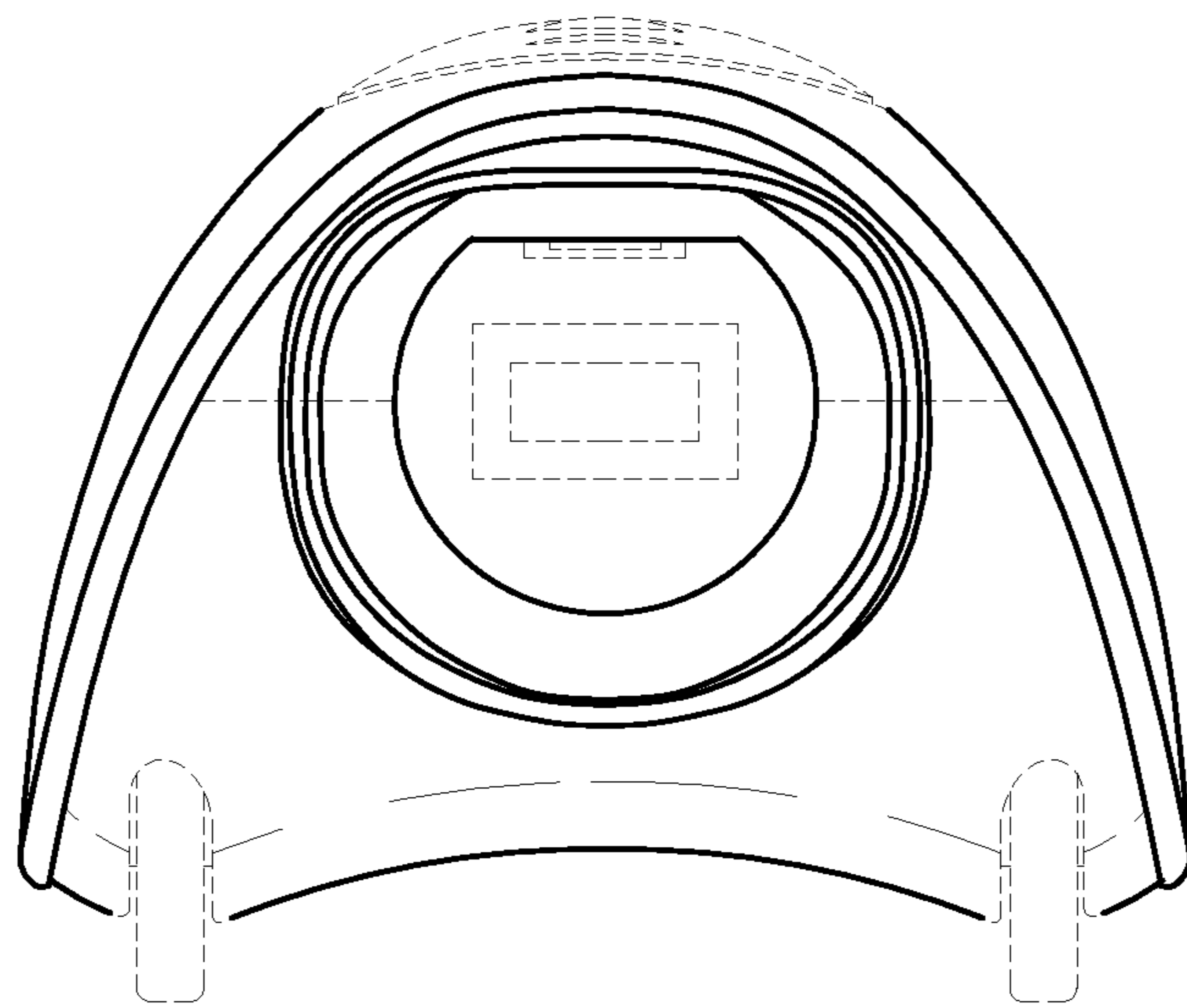


FIG.7