



US00D823949S

(12) **United States Design Patent**
Lu

(10) **Patent No.:** **US D823,949 S**
(45) **Date of Patent:** **** Jul. 24, 2018**

- (54) **REMOTE CONTROL**
- (71) Applicant: **Shenzhen Jitian Innovation Technology Co., Ltd.**, Shenzhen, Guangdong (CN)
- (72) Inventor: **Fengwen Lu**, Guangzhou (CN)
- (73) Assignee: **SHENZHEN JITIAN INNOVATION TECHNOLOGY CO., LTD.**, Shenzhen, Guangdong (CN)
- (**) Term: **15 Years**
- (21) Appl. No.: **29/613,179**
- (22) Filed: **Aug. 8, 2017**
- (30) **Foreign Application Priority Data**
May 16, 2017 (CN) 2017 3 0179030
- (51) **LOC (11) Cl.** **21-01**
- (52) **U.S. Cl.**
USPC **D21/566**
- (58) **Field of Classification Search**
USPC D13/168; D14/195, 218; D21/561, 566;
D12/174, 345
CPC A63F 13/06; A63H 30/04; G08C 17/02;
G08C 23/04
See application file for complete search history.

D514,172 S *	1/2006	Jinno	D21/566
D517,129 S *	3/2006	Yamamoto	D21/566
D521,573 S *	5/2006	Jinno	D21/566
7,250,844 B2 *	7/2007	Arai	A63H 30/04 338/118
D573,204 S *	7/2008	Arai	D21/566
D650,021 S *	12/2011	Suzuki	D21/566
8,075,364 B2 *	12/2011	Wai	A63H 17/44 446/435
D740,708 S *	10/2015	Pecorari	D21/566
D780,269 S *	2/2017	Isono	D21/566
9,855,512 B1 *	1/2018	Wong	A63H 27/12
D817,416 S *	5/2018	Pecorari	D21/566
2014/0111317 A1 *	4/2014	Shen	A63H 30/04 340/12.22
2016/0124458 A1 *	5/2016	Yamaguchi	G05G 5/03 74/523
2017/0357254 A1 *	12/2017	Tanaka	A63H 27/02
2018/0095492 A1 *	4/2018	Matloff	G05G 9/047

* cited by examiner

Primary Examiner — Selina Sikder
(74) *Attorney, Agent, or Firm* — Chun-Ming Shih

(57) **CLAIM**

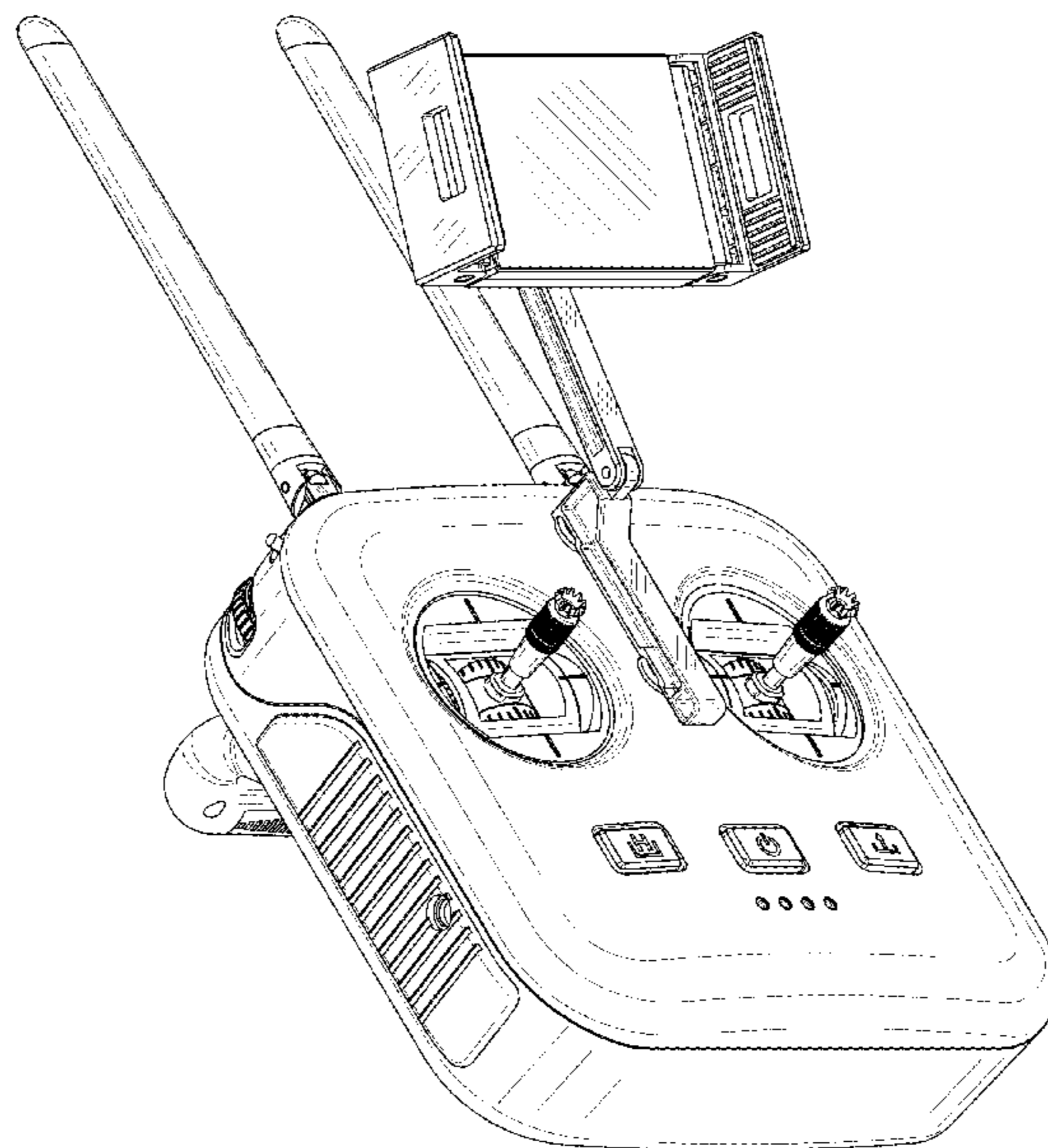
The ornamental design for a remote control, as shown and described.

DESCRIPTION

FIG. 1 is a front view of a remote control showing the new design;
FIG. 2 is a rear view thereof;
FIG. 3 is a left side elevational view thereof;
FIG. 4 is a right side elevational view thereof;
FIG. 5 is a top view thereof;
FIG. 6 is a bottom view thereof; and,
FIG. 7 is a perspective view thereof.

1 Claim, 7 Drawing Sheets

- (56) **References Cited**
U.S. PATENT DOCUMENTS
D322,103 S * 12/1991 Kohno D21/566
5,525,972 A * 6/1996 Inokoshi A63H 30/04
340/4.31
D471,603 S * 3/2003 Morita D21/566



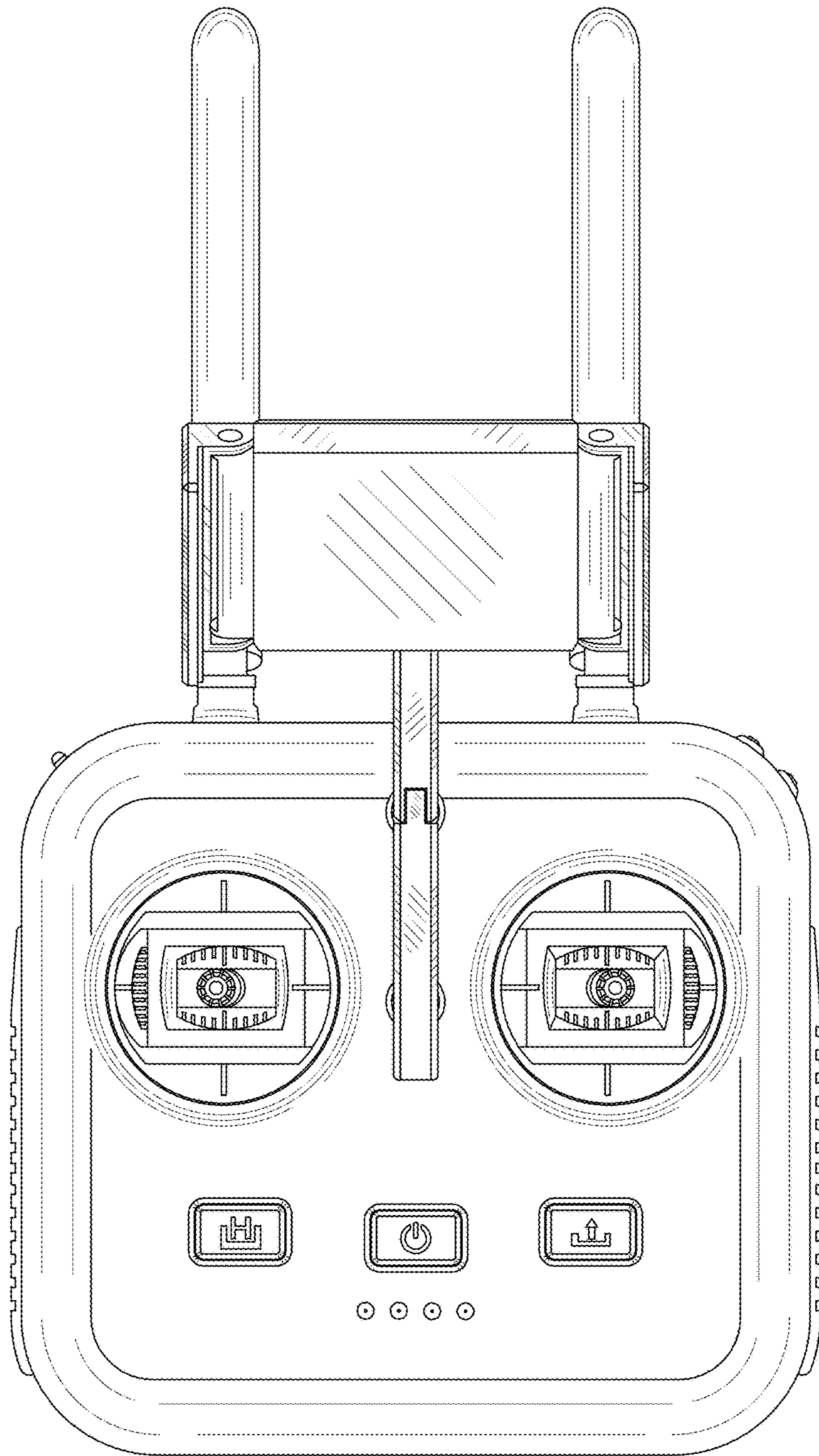


FIG. 1

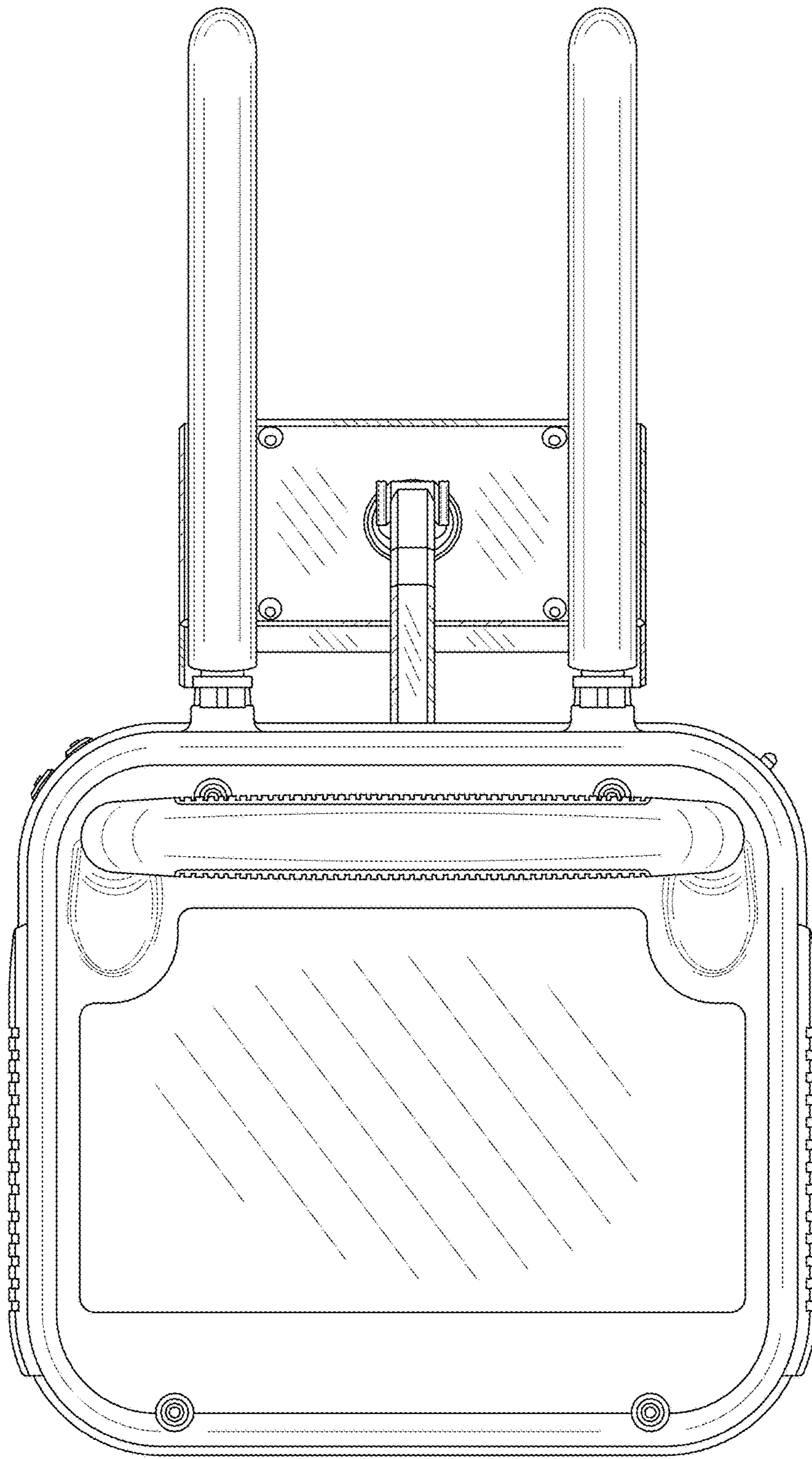


FIG. 2

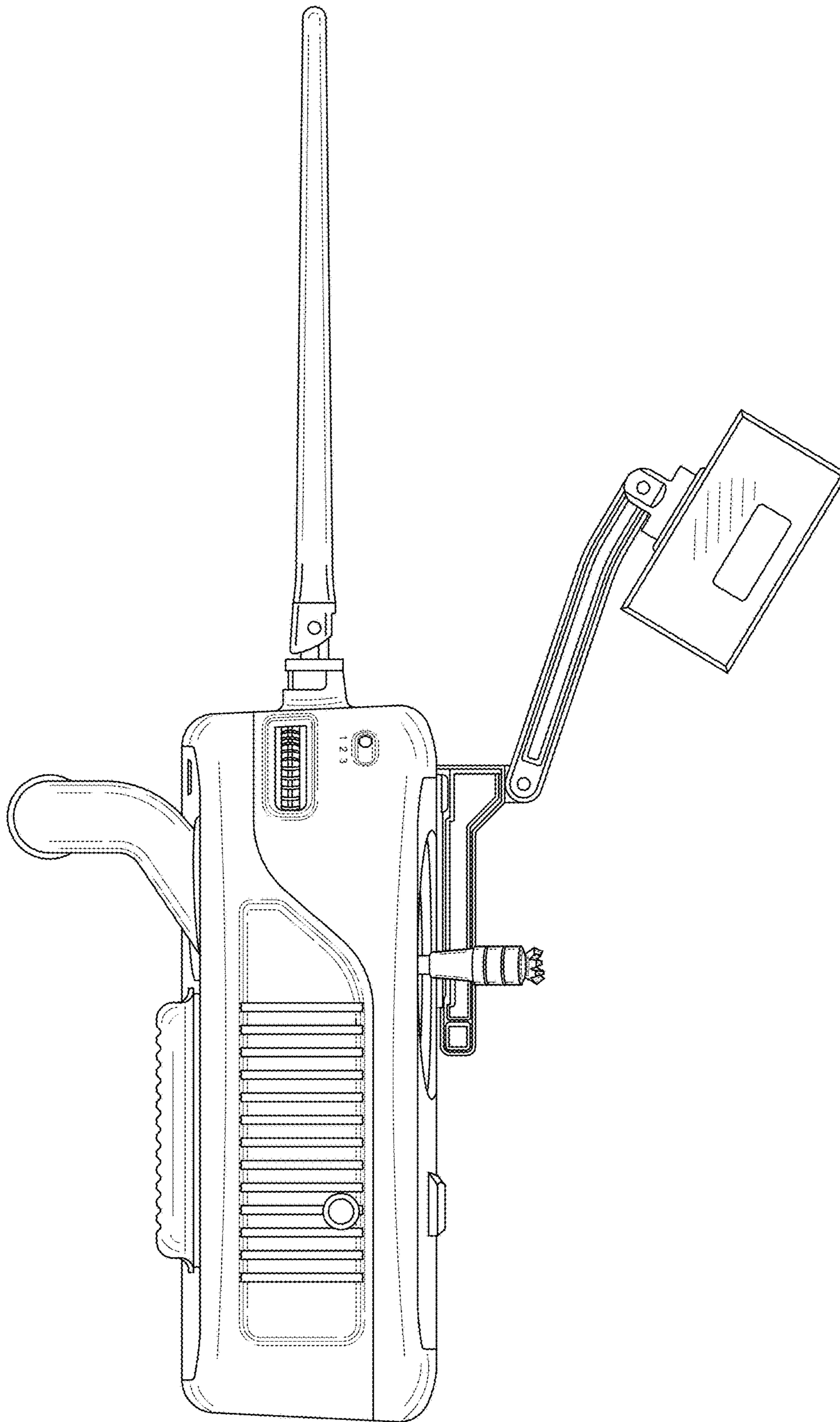


FIG. 3

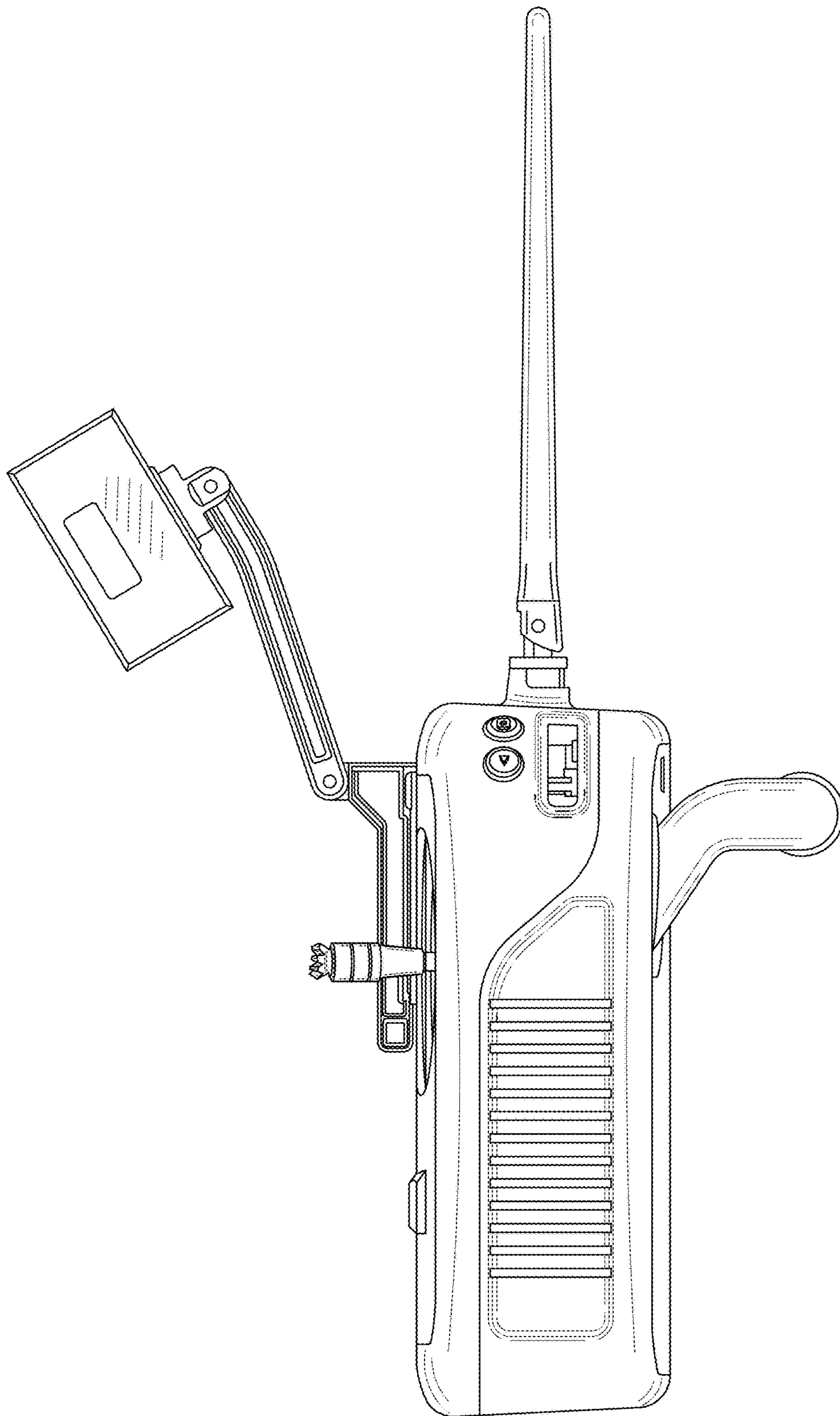


FIG. 4

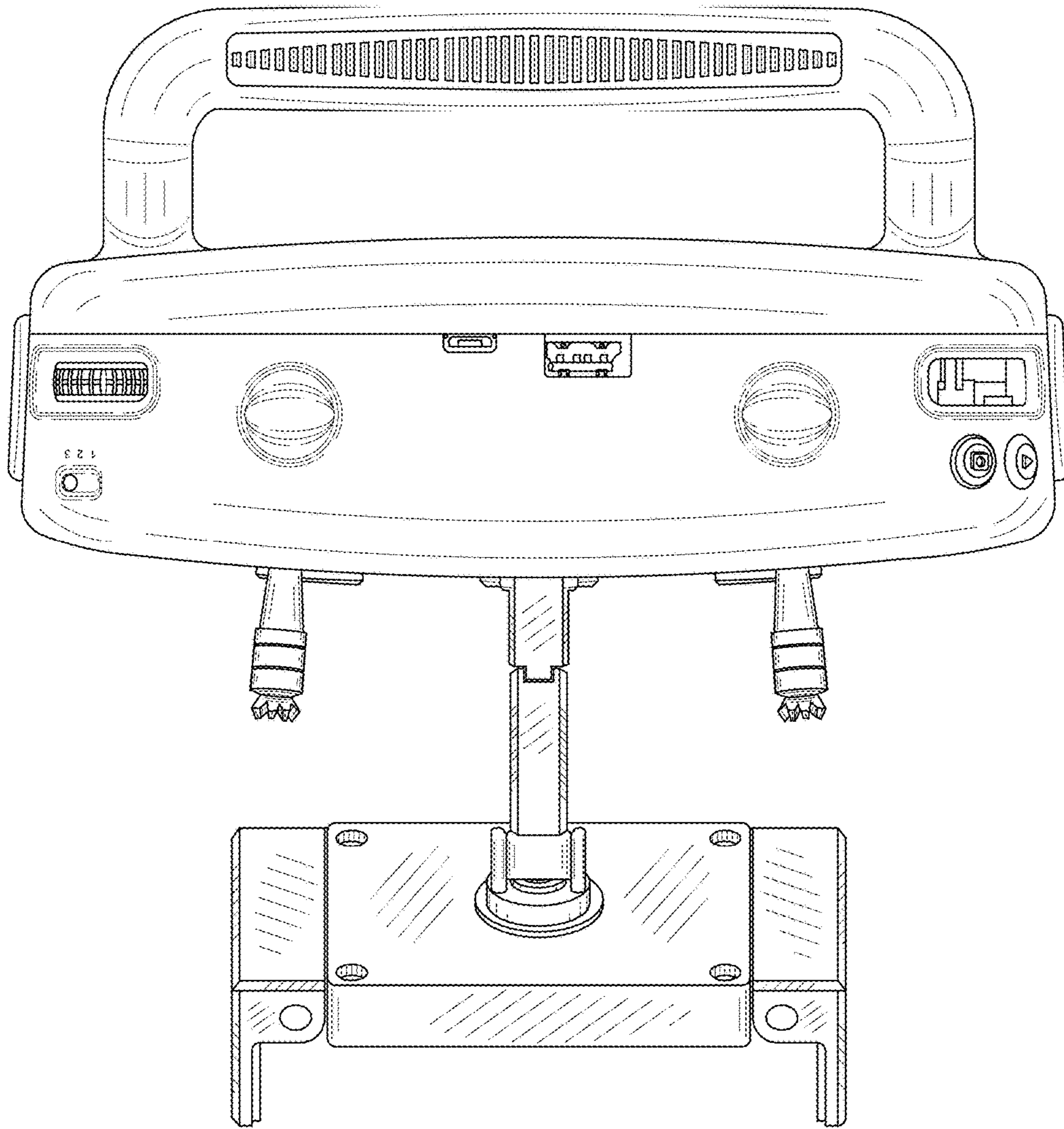


FIG. 5

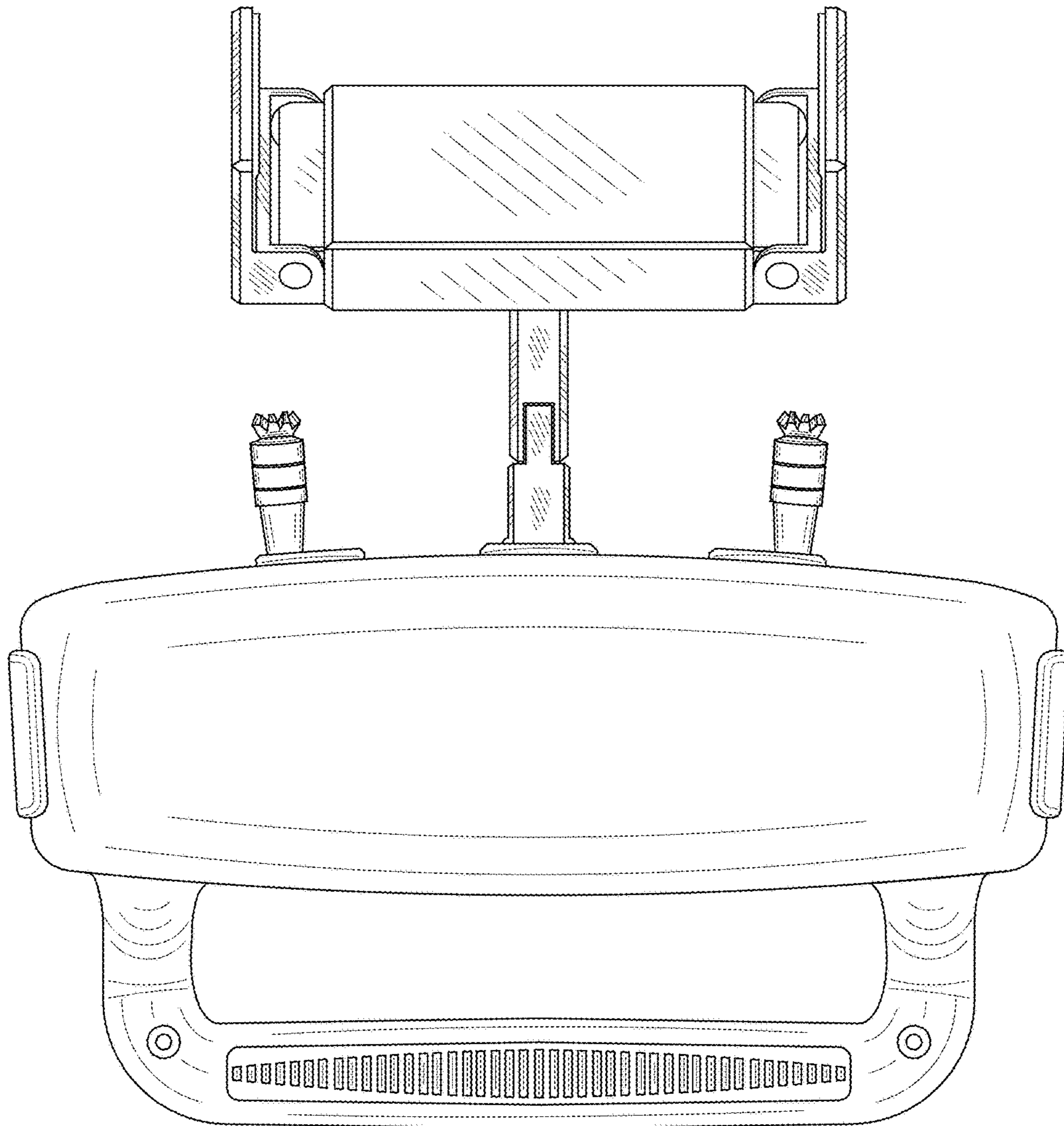


FIG. 6

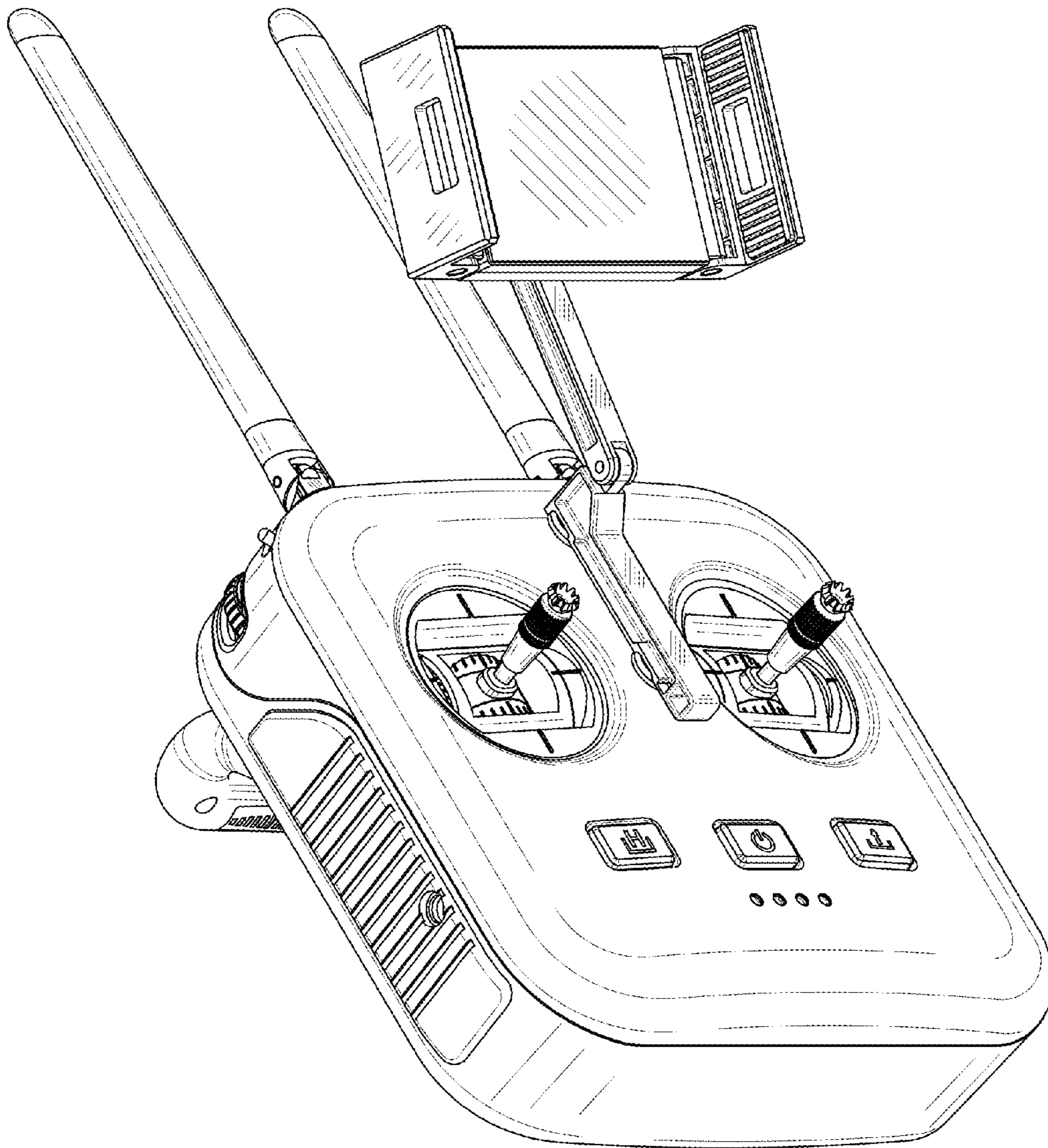


FIG. 7