



US00D823947S

(12) **United States Design Patent**
Kamiyama

(10) **Patent No.:** **US D823,947 S**
(45) **Date of Patent:** **** Jul. 24, 2018**

(54) **TOY HOUSE**
(71) Applicant: **EPOCH COMPANY, LTD.**, Tokyo (JP)
(72) Inventor: **Kei Kamiyama**, Tokyo (JP)
(73) Assignee: **EPOCH Company, Ltd**, Tokyo (JP)
(**) Term: **15 Years**

(21) Appl. No.: **29/602,859**
(22) Filed: **May 4, 2017**

(30) **Foreign Application Priority Data**
Nov. 4, 2016 (JP) 2016-024088
(51) **LOC (11) Cl.** **21-01**
(52) **U.S. Cl.**
USPC **D21/506**
(58) **Field of Classification Search**
USPC D25/1, 10, 32; D9/636, 637, 640, 433;
434/72, 79, 96, 260; 446/69, 75, 110,
446/476-478, 479
CPC . A63H 3/00; A63H 3/52; A63H 33/00; A63H
33/008; A63H 33/044; B65D 81/368;
A63B 9/00
See application file for complete search history.

(56) **References Cited**
U.S. PATENT DOCUMENTS
D665,466 S * 8/2012 Kasahara D21/506
D683,410 S * 5/2013 Morioka D21/506

D685,037 S * 6/2013 Akitsu D21/506
D710,457 S * 8/2014 Kawashima D21/506
D710,459 S * 8/2014 Kawashima D21/506
D755,905 S * 5/2016 Sano D21/506
D757,186 S * 5/2016 Hattori D21/506
D783,732 S * 4/2017 Nanjo D21/509
D783,733 S * 4/2017 Goto D21/509
2002/0193046 A1 * 12/2002 Zebersky A63H 3/52
446/476

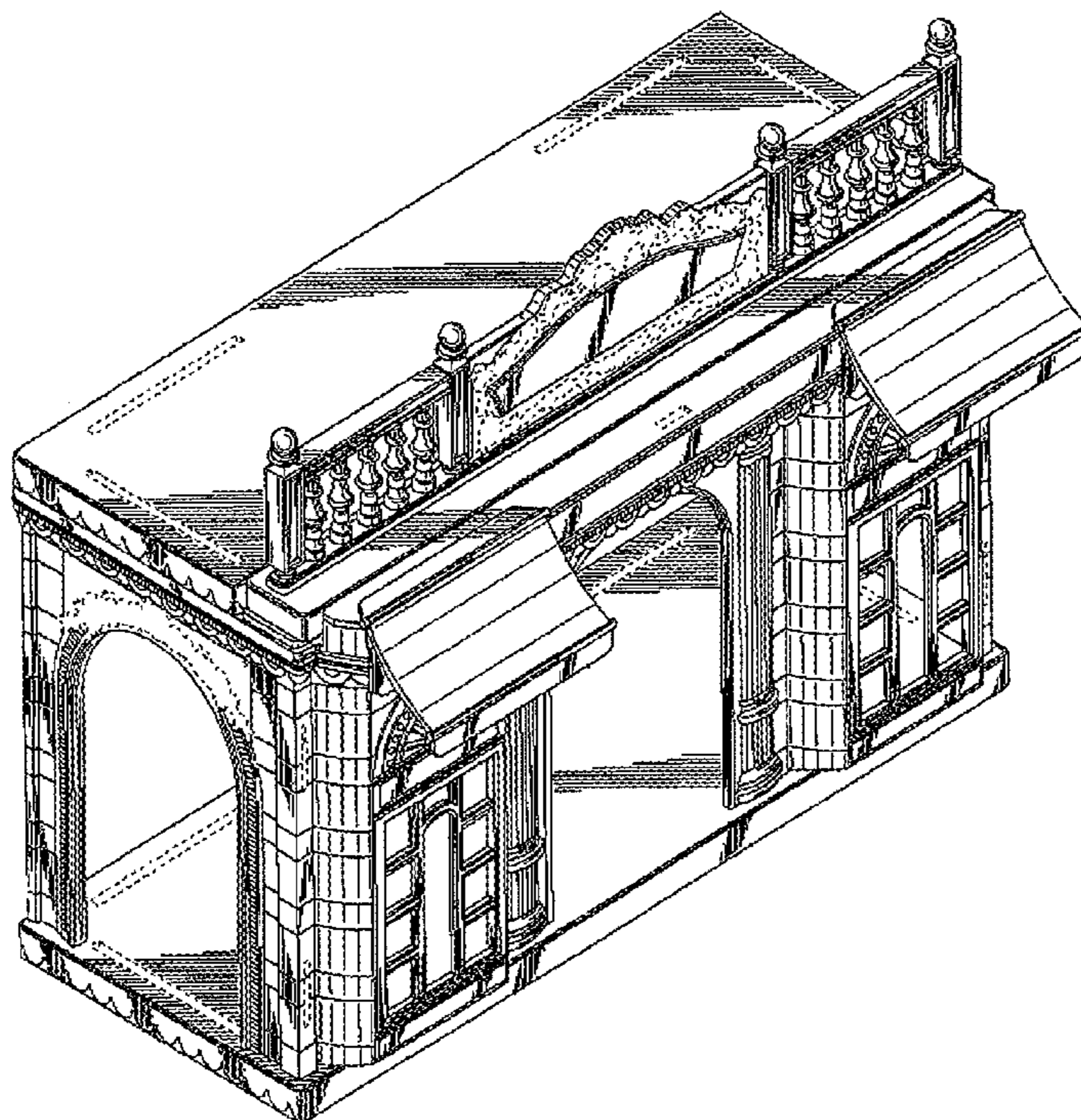
* cited by examiner

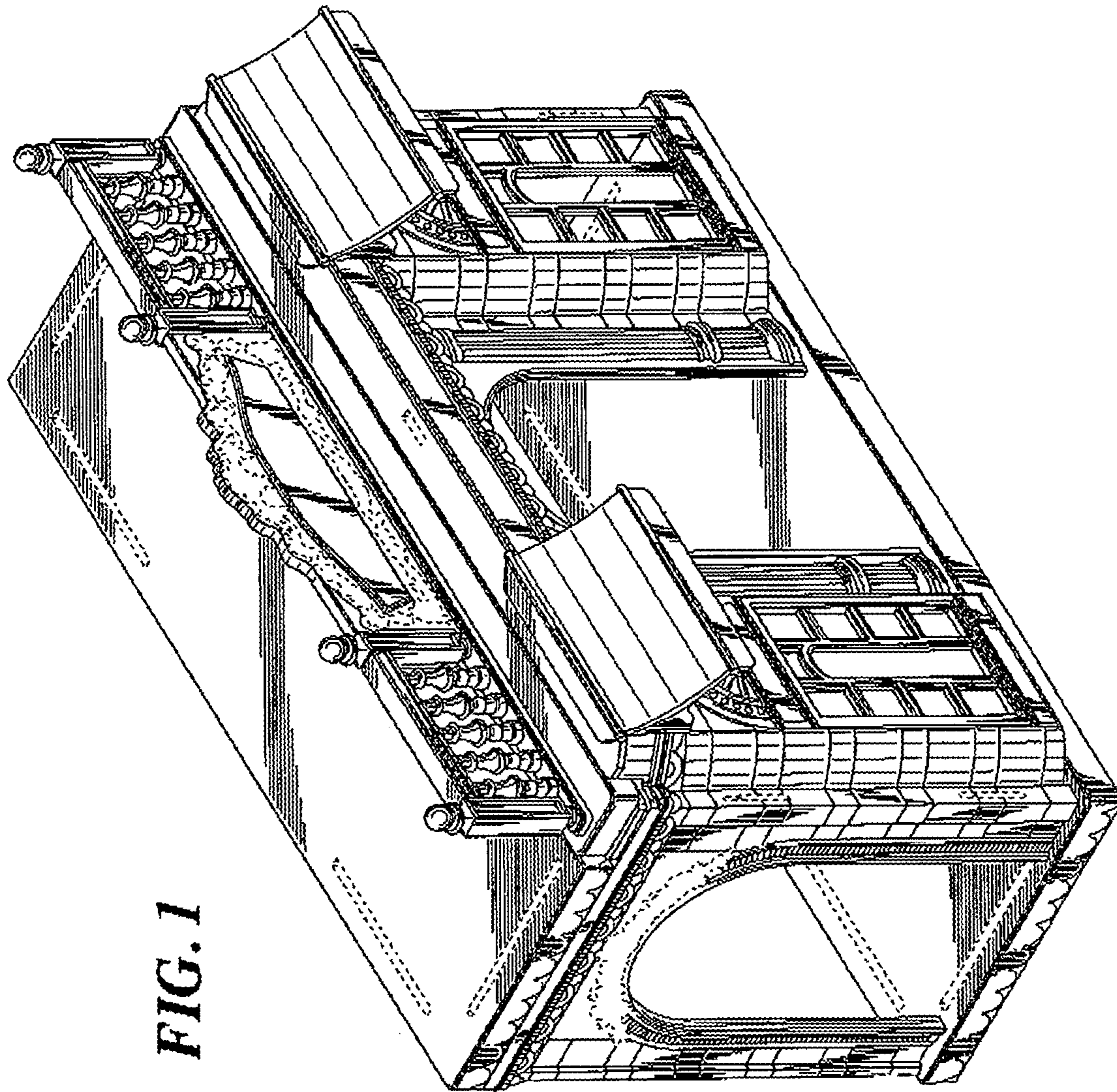
Primary Examiner — Cynthia M Chin
(74) *Attorney, Agent, or Firm* — Fitzgerald IP Law; John K. Fitzgerald

(57) **CLAIM**
The ornamental design for a toy house, as shown and described.

DESCRIPTION
FIG. 1 is a perspective view showing the roof, front, a left side, and a portion of the interior of a toy house, showing my new design;
FIG. 2 is a rear perspective view of the toy house of FIG. 1 showing the roof, an exterior side of a right side, an interior of a left side, and a portion of the interior, thereof;
FIG. 3 is a frontal view thereof;
FIG. 4 is a rear view thereof;
FIG. 5 is an overhead view thereof;
FIG. 6 is a right side view thereof; and,
FIG. 7 is a left side view thereof.
The broken lines shown are included for the purpose of illustrating portions of the article which form no part of the claimed design.

1 Claim, 7 Drawing Sheets





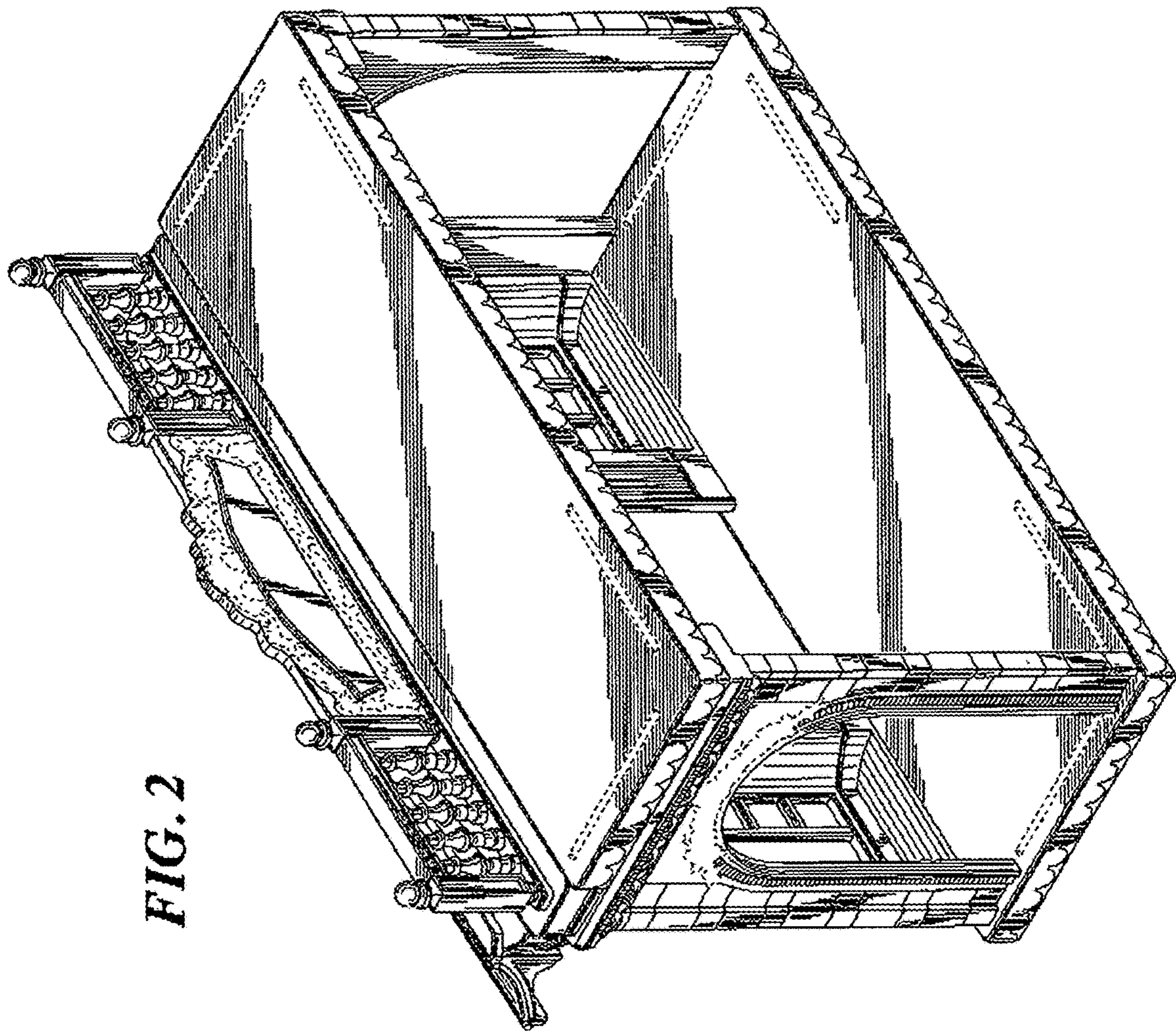


FIG. 2

FIG. 3

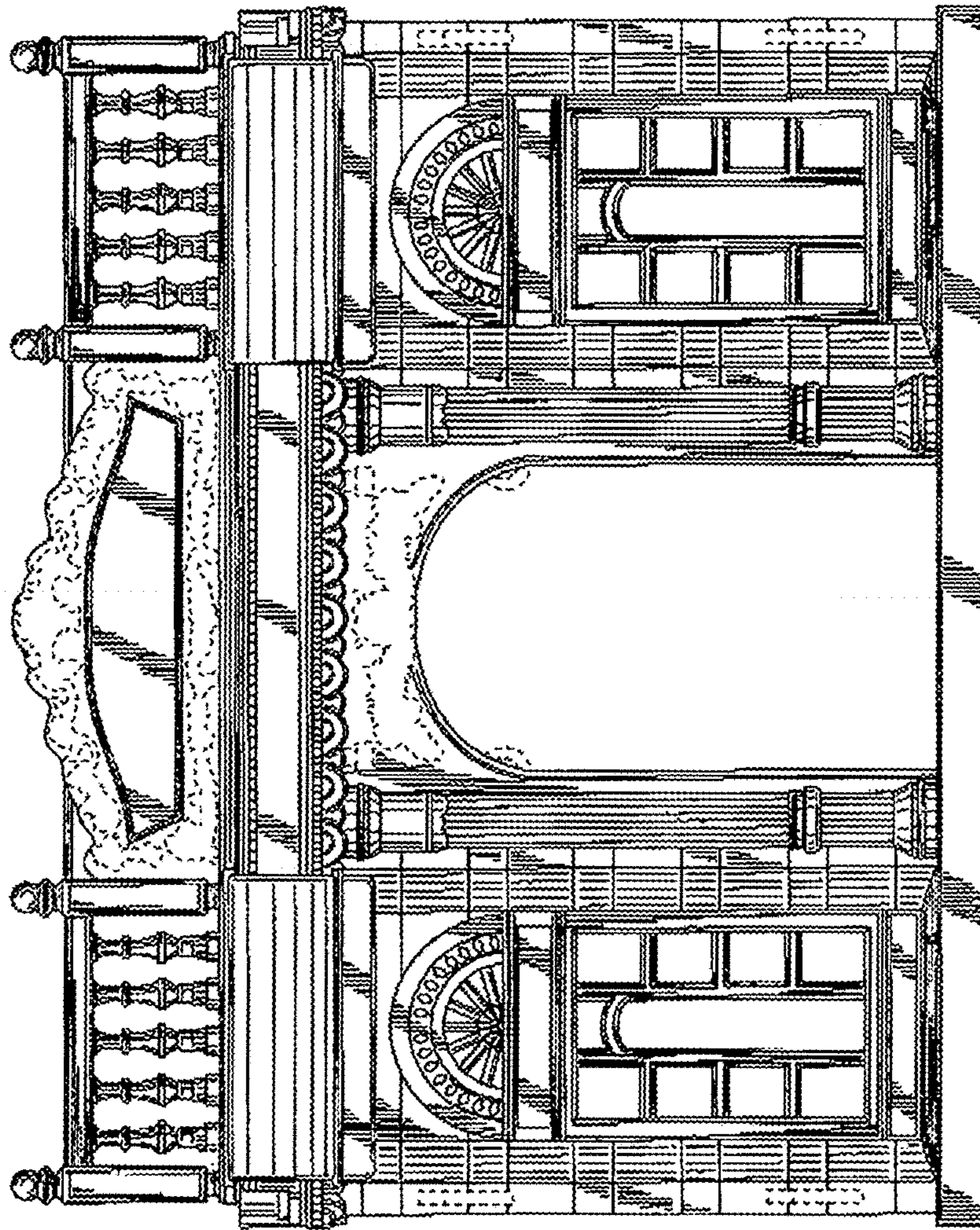


FIG. 4

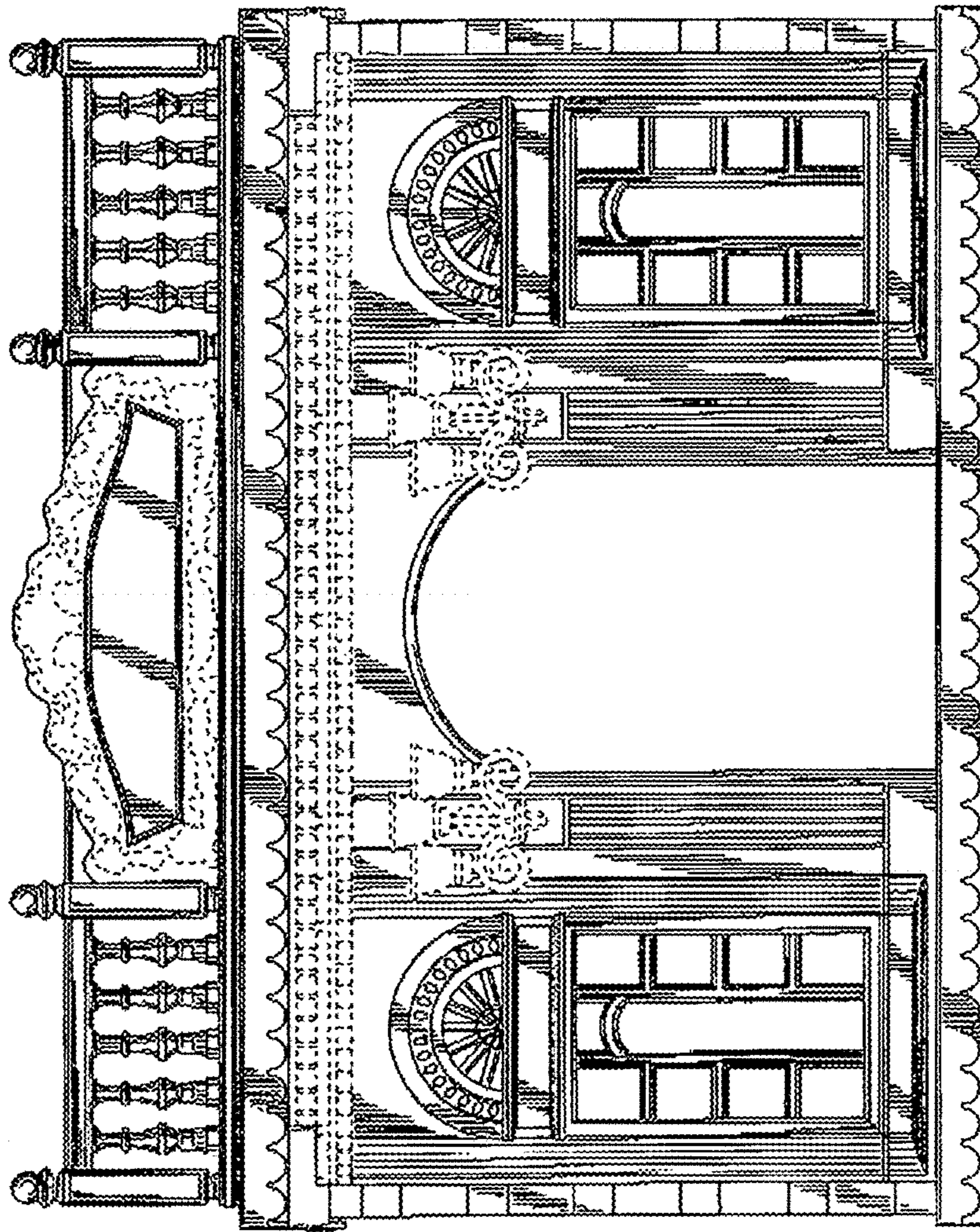


FIG. 5

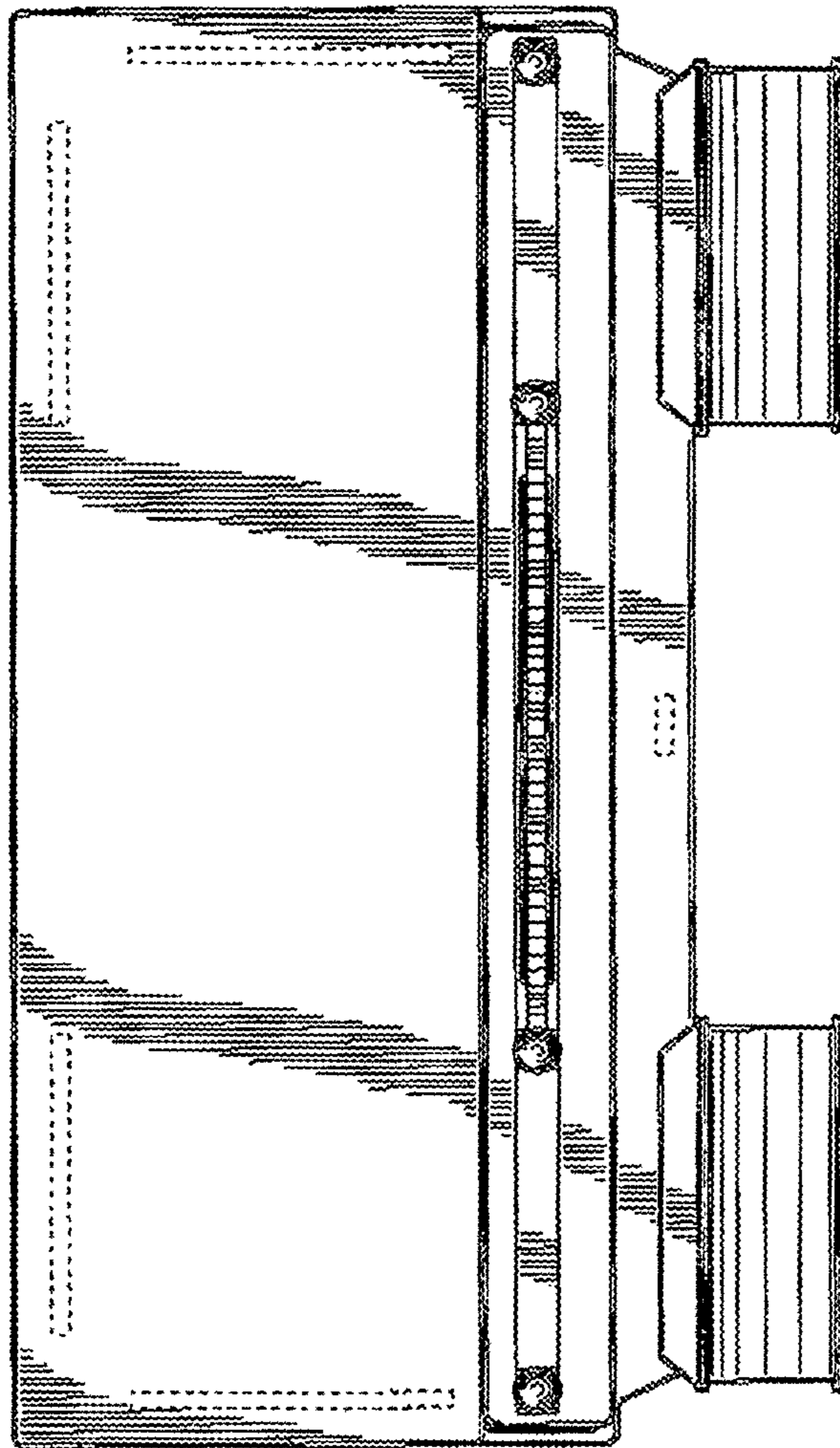


FIG. 6

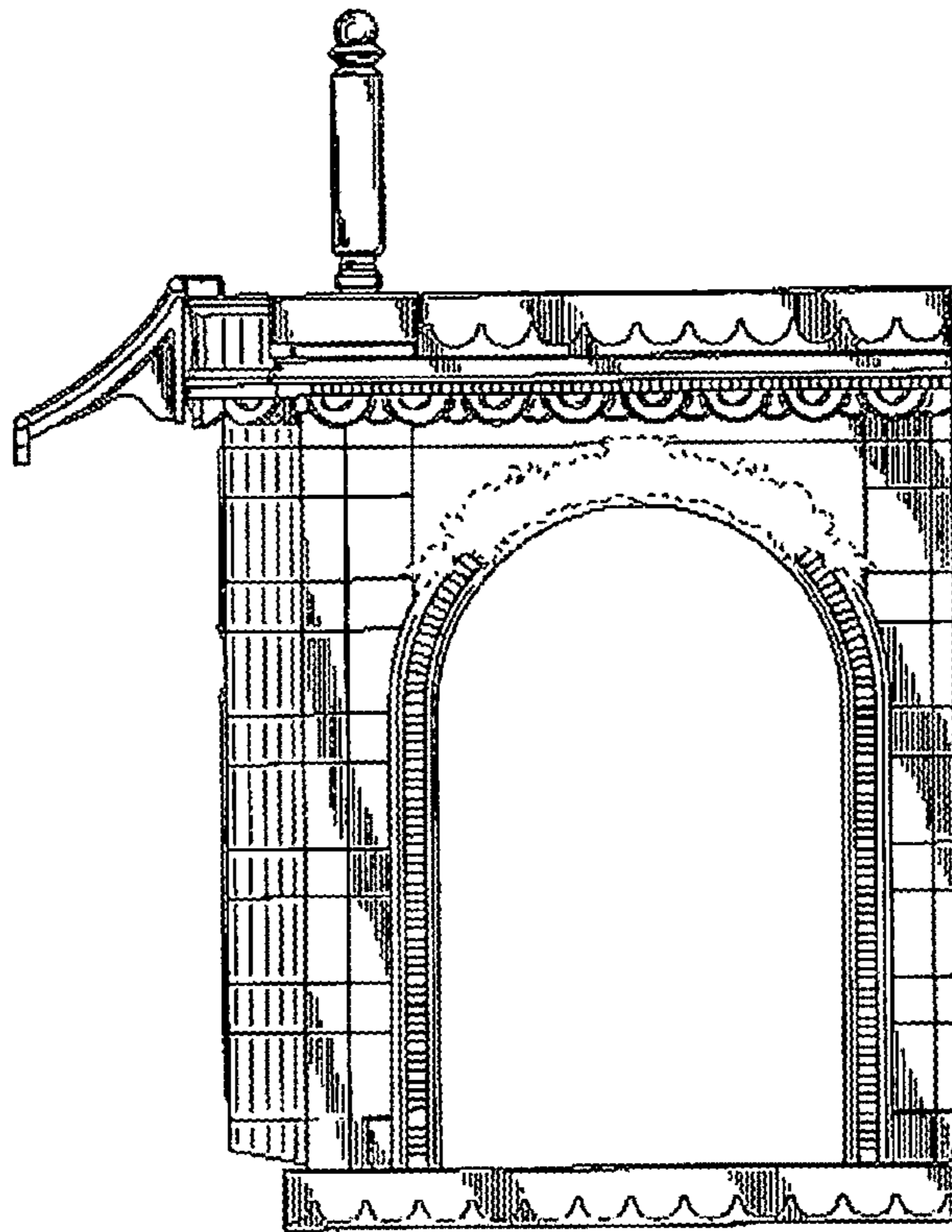


FIG. 7

