



US00D823946S

(12) **United States Design Patent**  
**Henkin et al.**

(10) **Patent No.:** **US D823,946 S**  
(45) **Date of Patent:** **\*\* Jul. 24, 2018**

- (54) **MAGNETIC TOY**
- (71) Applicant: **Gymworld Inc.**, Seoul (KR)
- (72) Inventors: **Roger Henry Henkin**, West Bloomfield, MI (US); **Sho Ubukata**, Nagoya (JP)
- (73) Assignee: **GYMWORLD INC.**, Seoul (KR)
- (\*\*) Term: **15 Years**
- (21) Appl. No.: **29/581,583**
- (22) Filed: **Oct. 20, 2016**

- 5,183,430 A \* 2/1993 Swann ..... A63H 33/04  
446/104
- 5,620,325 A \* 4/1997 Glick ..... A63H 33/04  
434/258
- D384,995 S 10/1997 Munir  
(Continued)

**FOREIGN PATENT DOCUMENTS**

- CA 2923882 A1 \* 3/2015 ..... A63H 33/046
- DE 3910304 A1 \* 10/1990 ..... A63H 33/046  
(Continued)

**OTHER PUBLICATIONS**

“Metro Mags Clear Colors 60 Piece Set,” published prior to Oct. 1, 2014 (exact publication date unknown). Amazon.com, Inc. [Retrieved on Oct. 2, 2017]. Retrieved from the Internet: <URL: [https://www.amazon.com/Metro-Mags-Clear-Colors-Piece/dp/B00A29T6F4/ref=pd\\_rhf\\_s](https://www.amazon.com/Metro-Mags-Clear-Colors-Piece/dp/B00A29T6F4/ref=pd_rhf_s)> (6 pages).  
(Continued)

*Primary Examiner* — Catherine A Tuttle  
(74) *Attorney, Agent, or Firm* — Ballard Spahr LLP

(57) **CLAIM**

The ornamental design for a magnetic toy, as shown and described.

**DESCRIPTION**

FIG. 1 is a front perspective view of a magnetic toy showing our new design;  
FIG. 2 is a front view of the magnetic toy shown in FIG. 1;  
FIG. 3 is a rear view thereof;  
FIGS. 4-7 are side views thereof; and,  
FIG. 8 is a cross sectional view taken along line 8-8 of FIG. 2.  
The broken lines showing the indicia “LOGO” are for illustrative purposes only and form no part of the claimed design.

**Related U.S. Application Data**

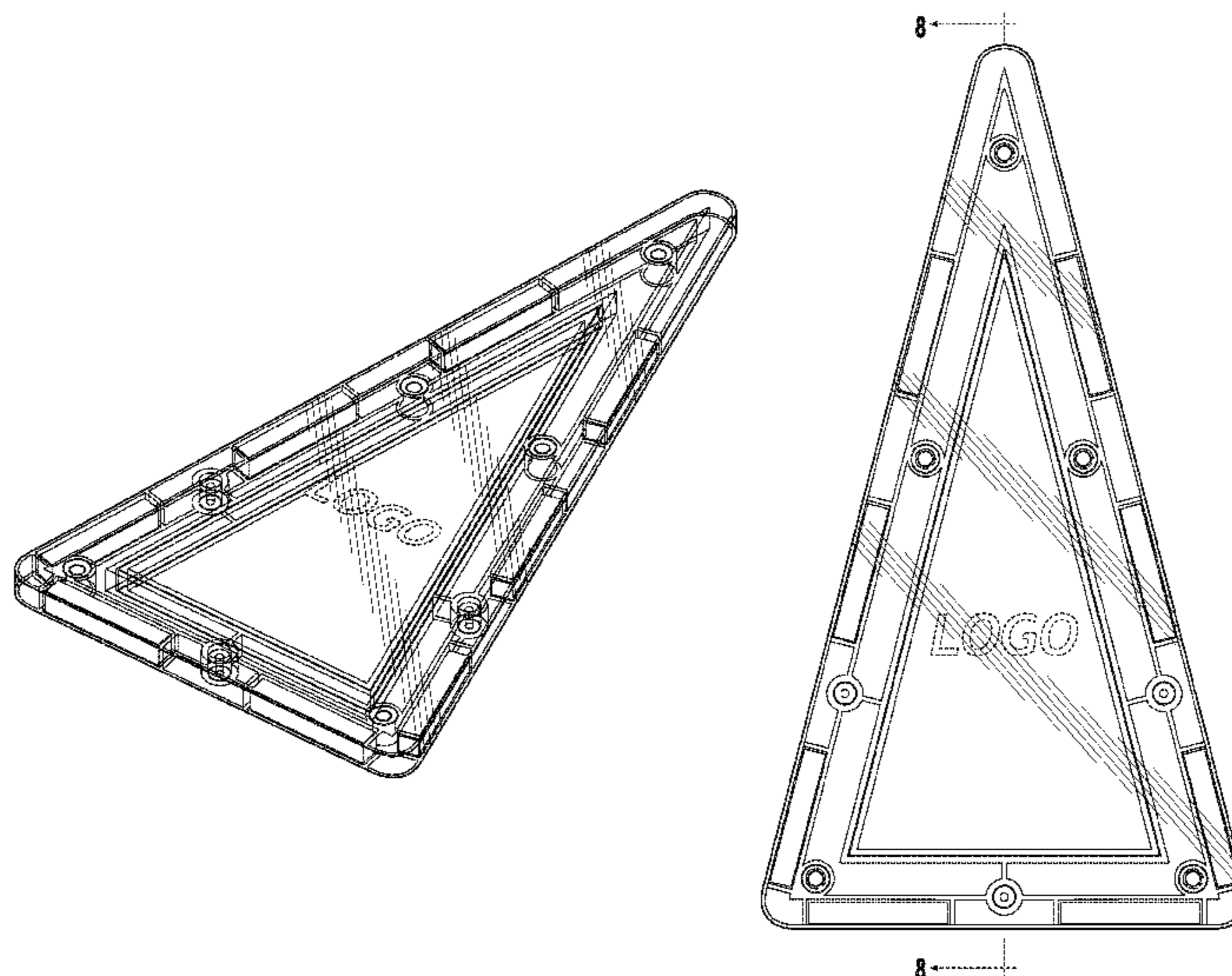
- (62) Division of application No. 29/503,986, filed on Oct. 1, 2014, now Pat. No. Des. 771,752.
- (51) **LOC (11) Cl.** ..... **21-01**
- (52) **U.S. Cl.**  
USPC ..... **D21/404**
- (58) **Field of Classification Search**  
USPC ..... D21/311–323, 398, 404, 478, 484–505;  
D9/418; D6/314; D13/183; 446/92,  
446/129–139  
CPC ..... A63H 33/04; A63H 33/046; A63F  
2009/1033  
See application file for complete search history.

(56) **References Cited**

**U.S. PATENT DOCUMENTS**

- D141,391 S 5/1945 Wilson
- 3,585,735 A 6/1971 Miller
- D226,120 S \* 1/1973 Ogsbury et al. .... D21/491
- 3,998,004 A \* 12/1976 Ehrlich ..... A63H 33/046  
428/900
- 4,925,338 A 5/1990 Kapusta
- D313,436 S \* 1/1991 Erickson ..... D21/489
- 5,021,021 A 6/1991 Ballard

**1 Claim, 4 Drawing Sheets**



(56)

References Cited

U.S. PATENT DOCUMENTS

6,431,936	B1 *	8/2002	Kiribuchi .....	A63H 33/046 446/129
D503,954	S	4/2005	Balanchi	
D513,628	S	1/2006	Andersen	
7,154,363	B2 *	12/2006	Hunts .....	H01F 7/0242 24/303
D614,250	S	4/2010	Frederiksen	
D631,104	S	1/2011	With	
D632,346	S	2/2011	Hardstaff	
D693,320	S	11/2013	Zelazowski	
8,668,542	B2 *	3/2014	Bruzgul .....	A63H 23/10 114/264
9,314,707	B2 *	4/2016	Ornstein .....	A63H 33/046
D771,752	S	11/2016	Henkin et al.	
2006/0240737	A1 *	10/2006	Yoon .....	A63H 33/046 446/92
2010/0197148	A1 *	8/2010	Rudisill .....	H01R 11/30 439/40
2013/0267145	A1 *	10/2013	Rosen .....	A63H 33/046 446/92
2014/0179194	A1	6/2014	Fein et al.	
2014/0227934	A1 *	8/2014	Rudisill .....	A63H 33/046 446/92
2014/0302741	A1 *	10/2014	Whittaker .....	A63H 33/046 446/92
2015/0072587	A1 *	3/2015	Ornstein .....	A63H 33/046 446/92
2015/0104993	A1 *	4/2015	Kennedy .....	A63H 33/10 446/108
2015/0231521	A1 *	8/2015	Peterson .....	A63H 33/046 446/92
2016/0184727	A1 *	6/2016	Ornstein .....	A63H 33/046 446/92
2017/0065899	A1 *	3/2017	Moskowitz .....	A63H 33/046

FOREIGN PATENT DOCUMENTS

EP	2055363	A1 *	5/2009	.....	A63H 33/008
EP	2745899	A1 *	6/2014	.....	A63H 33/046
JP	2002-159761	A	6/2002		
JP	2003-190663	A	7/2003		

OTHER PUBLICATIONS

Restriction Requirement dated Jan. 15, 2016 by the U.S. Patent and Trademark Office for Design U.S. Appl. No. 29/503,986, filed Oct.

1, 2014 and issued as D771,752 dated Nov. 15, 2016 (Inventor—Henkin et al.; Applicant—RUX International Co., Ltd.) (5 pages). Response to Restriction Requirement and Request for continued Examination filed Jun. 15, 2016 with the U.S. Patent and Trademark Office for Design U.S. Appl. No. 29/503,986, filed Oct. 1, 2014 and issued as D771,752 dated Nov. 15, 2016 (Inventor—Henkin et al.; Applicant—RUX International Co., Ltd.) (6 pages). Notice of Allowance dated Jul. 8, 2016 by the U.S. Patent and Trademark Office for Design U.S. Appl. No. 29/503,986, filed Oct. 1, 2014 and issued as D771,752 dated Nov. 15, 2016 (Inventor—Henkin et al.; Applicant—RUX International Co., Ltd.) (8 pages). Issue Notification dated Oct. 26, 2016 by the U.S. Patent and Trademark Office for Design U.S. Appl. No. 29/503,986, filed Oct. 1, 2014 and issued as D771,752 dated Nov. 15, 2016 (Inventor—Henkin et al.; Applicant—RUX International Co., Ltd.) (1 page). Preliminary Amendment dated Oct. 20, 2016 with the U.S. Patent and Trademark Office for Design U.S. Appl. No. 29/581,576, filed Oct. 20, 2016 (Inventor—Henkin et al.; Applicant—Gymworld, Inc.; (12 pages). Restriction Requirement dated Mar. 17, 2017 by the U.S. Patent and Trademark Office for Design U.S. Appl. No. 29/581,576, filed Oct. 20, 2016 (Inventor—Henkin et al.; Applicant—Gymworld, Inc.; (5 pages). Response to Restriction Requirement filed Jul. 17, 2017 with the U.S. Patent and Trademark Office for Design U.S. Appl. No. 29/581,576, filed Oct. 20, 2016 (Inventor—Henkin et al.; Applicant—Gymworld, Inc.; (7 pages). Non-Final Office Action dated Aug. 24, 2017 by the U.S. Patent and Trademark Office for U.S. Appl. No. 29/581,576, filed Oct. 20, 2017 (Inventor—Henkin et al.; Applicant—Gymworld, Inc.; (7 pages). Preliminary Amendment filed Oct. 20, 2016 with the U.S. Patent and Trademark Office for Design U.S. Appl. No. 29/581,567, filed Oct. 20, 2016 (Inventor—Henkin et al.; Applicant—Gymworld, Inc.; (12 pages). Restriction Requirement dated Mar. 16, 2017 by the U.S. Patent and Trademark Office for Design U.S. Appl. No. 29/581,567, filed Oct. 20, 2016 (Inventor—Henkin et al.; Applicant—Gymworld, Inc.; (7 pages). Response to Restriction Requirement filed Jul. 17, 2017 with the U.S. Patent and Trademark Office for Design U.S. Appl. No. 29/581,567, filed Oct. 20, 2016 (Inventor—Henkin et al.; Applicant—Gymworld, Inc.; (7 pages). Notice of Allowance dated Oct. 12, 2017 by the U.S. Patent and Trademark Office for Design U.S. Appl. No. 29/581,567, filed Oct. 20, 2016 (Inventor—Henkin et al.; Applicant—Gymworld, Inc.; (19 pages).

\* cited by examiner

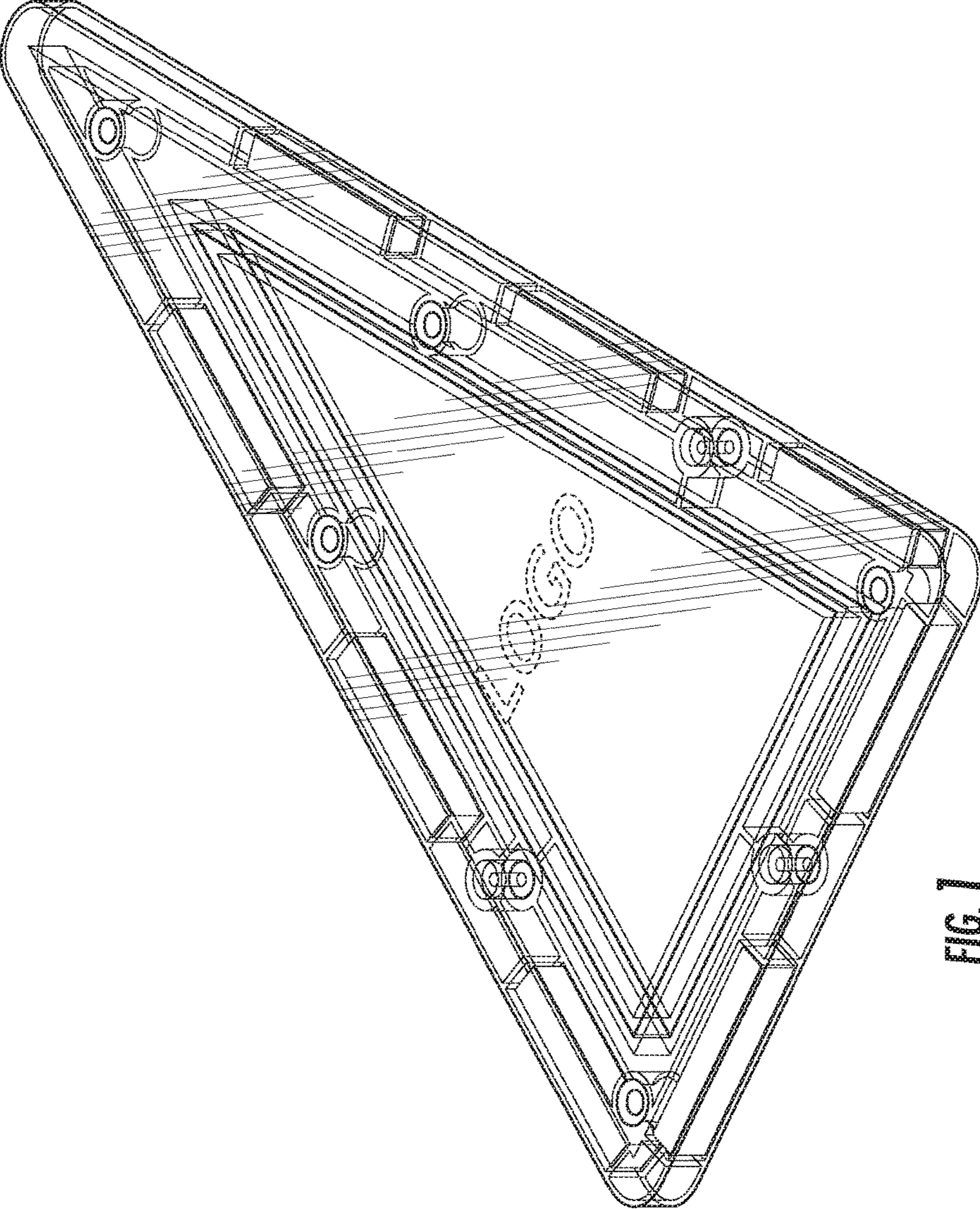


FIG. 1

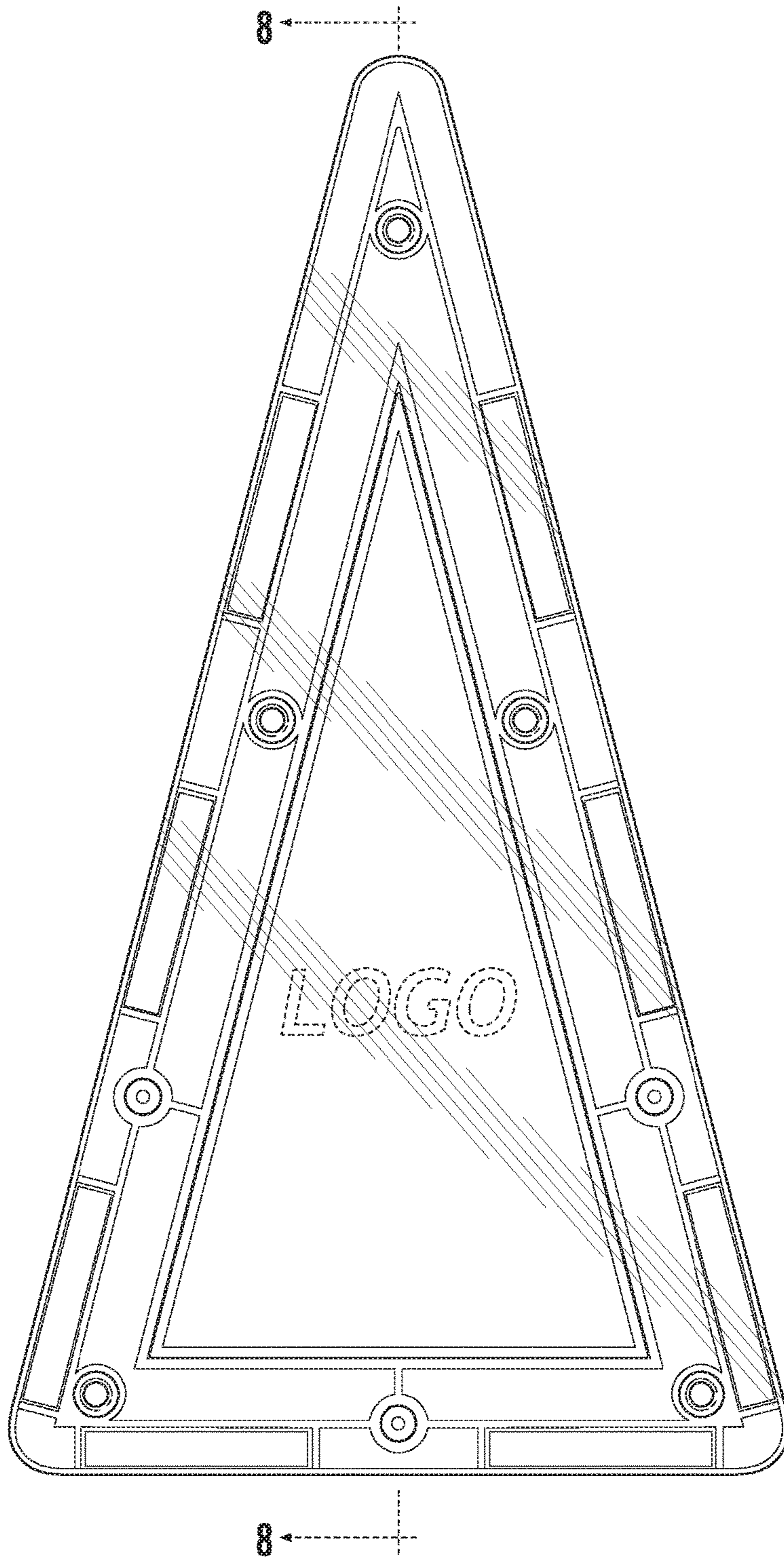


FIG. 2

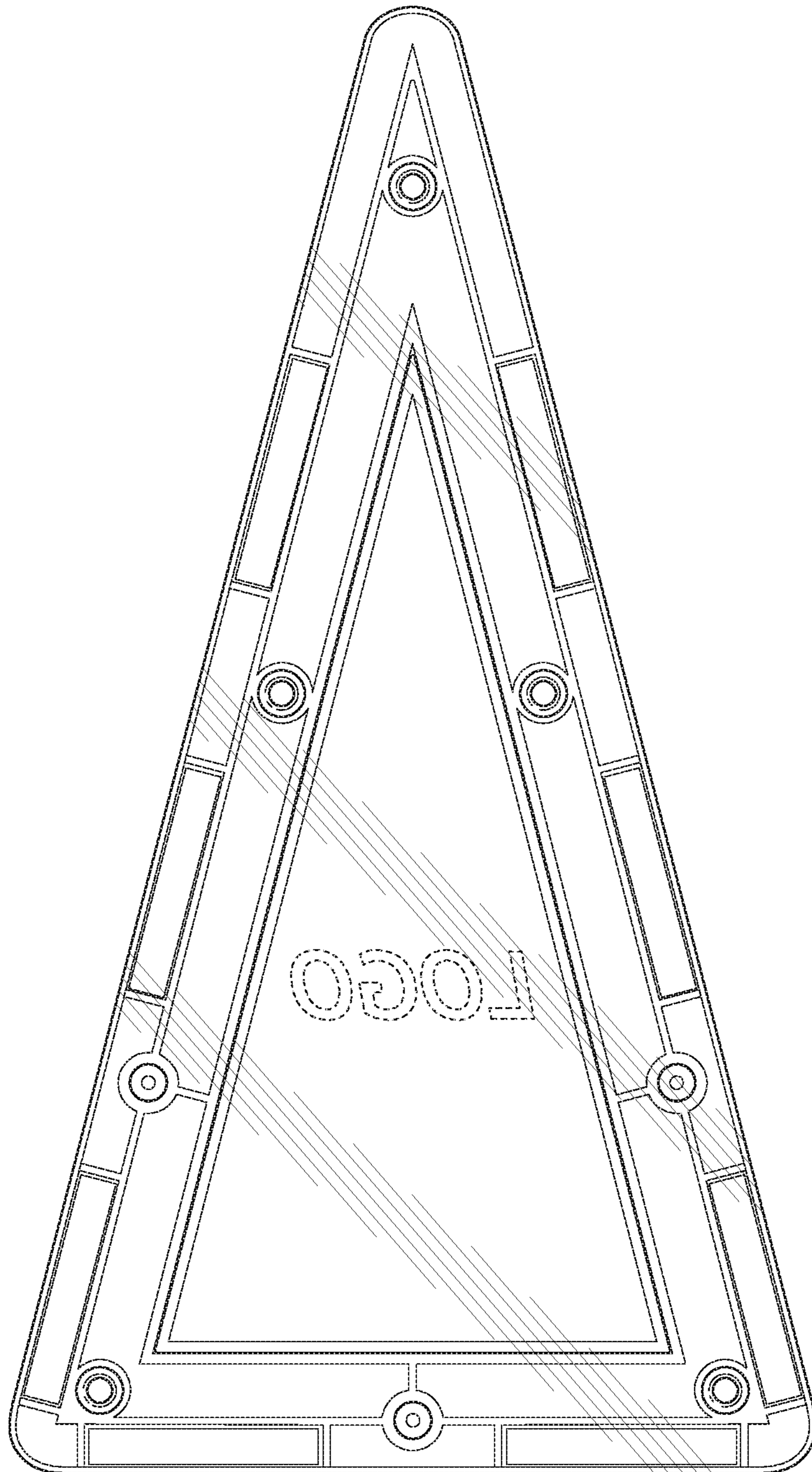


FIG. 3

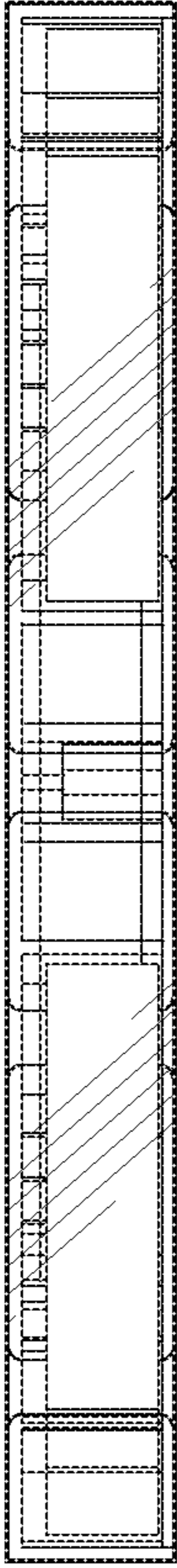


FIG. 4

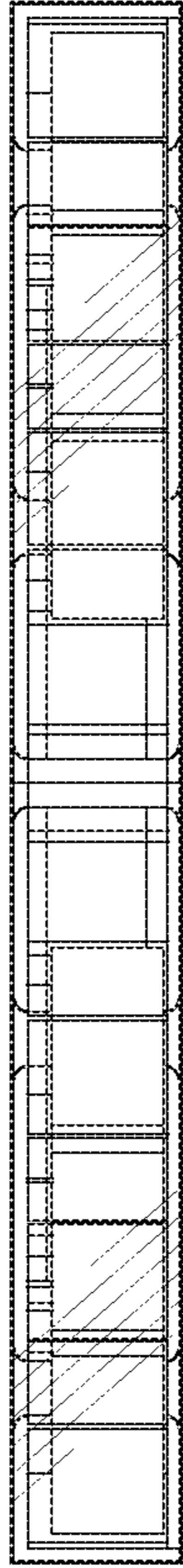


FIG. 5

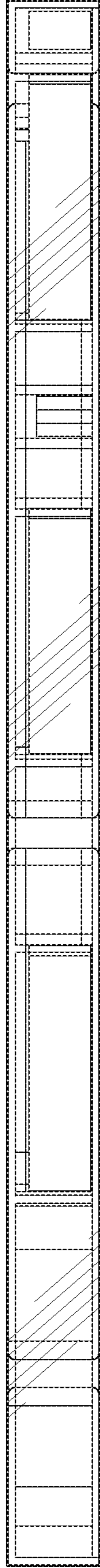


FIG. 6

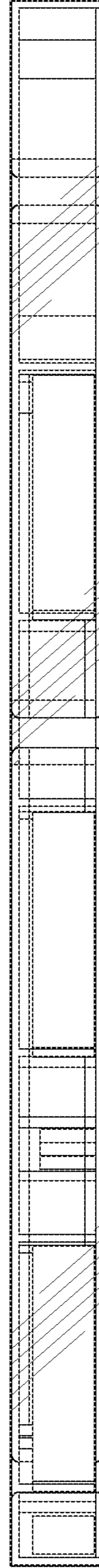


FIG. 7

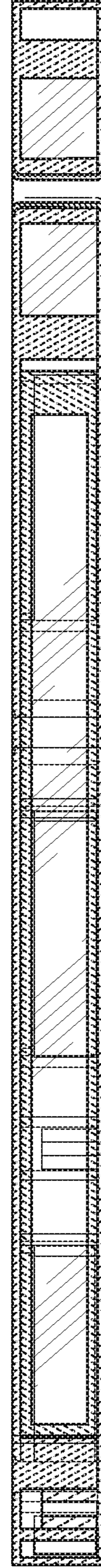


FIG. 8