



US00D823945S

(12) **United States Design Patent**  
**Falc et al.**

(10) **Patent No.: US D823,945 S**  
(45) **Date of Patent: \*\* Jul. 24, 2018**

(54) **VIDEO GAME CONTROLLER FOR ELECTRONIC GAME**

(71) Applicant: **BIGBEN INTERACTIVE**, Fretin (FR)

(72) Inventors: **Alain Falc**, Fretin (FR); **Yannick Allaert**, Fretin (FR); **Valentin Delrue**, Fretin (FR)

(\*\*) Term: **15 Years**

(21) Appl. No.: **35/502,593**

(22) Filed: **Feb. 16, 2017**

(80) **Hague Agreement Data**

Int. Filing Date: **Feb. 16, 2017**

Int. Reg. No.: **DM/094926**

Int. Reg. Date: **Feb. 16, 2017**

Int. Reg. Pub. Date: **Mar. 10, 2017**

(51) **LOC (11) Cl.** ..... **21-01**

(52) **U.S. Cl.**  
USPC ..... **D21/333**; D14/401; D14/400; D14/416

(58) **Field of Classification Search**  
USPC ..... D21/324, 328, 333; D14/399-401, D14/412-418  
CPC .. A63F 13/02; A63F 13/12; A63F 9/00; A63F 9/24; A63F 11/00; A63F 71/00; G06F 3/02; G06F 3/033; G06G 5/00  
See application file for complete search history.

(56) **References Cited**

U.S. PATENT DOCUMENTS

D772,988 S *	11/2016	Kujawski .....	D14/401
D780,180 S *	2/2017	Ironmonger .....	D14/401
D786,981 S *	5/2017	Strahle .....	D14/401
D795,961 S *	8/2017	Chatterjee .....	D14/401
D797,197 S *	9/2017	Buller .....	D21/333
D798,954 S *	10/2017	Chatterjee .....	D21/333
D799,599 S *	10/2017	Kujawski .....	D21/333
D799,600 S *	10/2017	Chatterjee .....	D21/333
D803,837 S *	11/2017	Kumar .....	D14/401
D805,518 S *	12/2017	Goldman .....	D14/401
D806,078 S *	12/2017	Goldman .....	D14/401
D810,831 S *	2/2018	Ali .....	D21/333

\* cited by examiner

*Primary Examiner* — Zenia I Bennett

(57) **CLAIM**

The ornamental design for a video game controller for electronic game, as shown and described.

**DESCRIPTION**

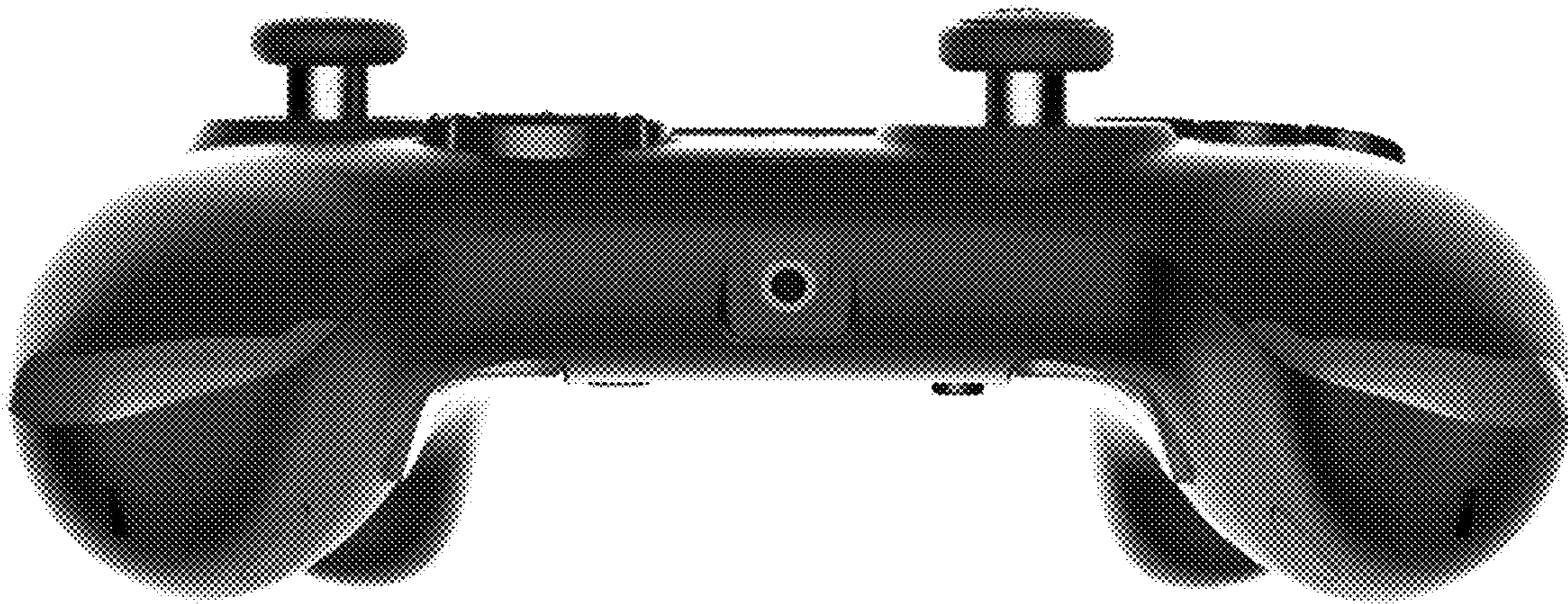
- 1. Video game controller for electronic game
- 1.1 : Back
- 1.2 : Left
- 1.3 : Perspective
- 1.4 : Front
- 1.5 : Bottom
- 1.6 : Perspective
- 1.7 : Right

**1 Claim, 7 Drawing Sheets**





1.1



1.2



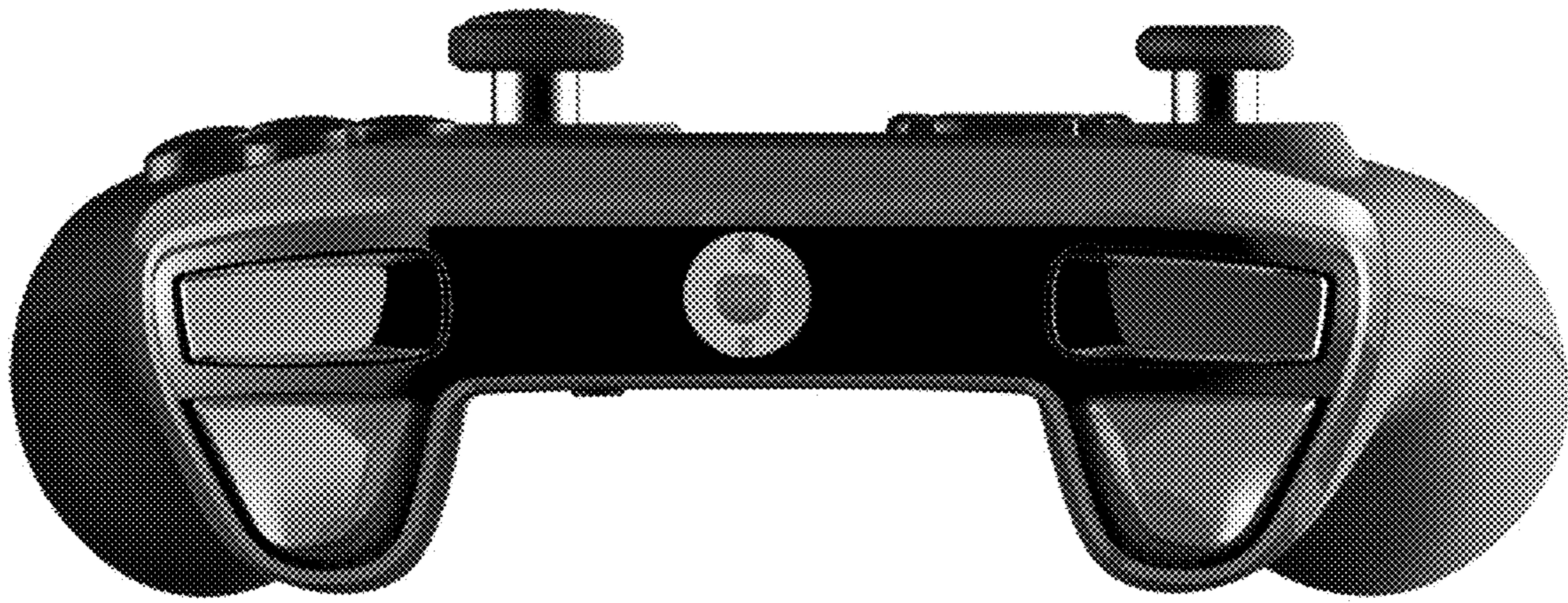


1.3





1.4



1.5





1.6



1.7

