

US00D823944S

(12) **United States Design Patent**
Bohrer et al.

(10) **Patent No.:** **US D823,944 S**
(45) **Date of Patent:** **** Jul. 24, 2018**

- (54) **PEN**
- (71) Applicant: **stilform GmbH**, Munich (DE)
- (72) Inventors: **Christoph Bohrer**, Munich (DE);
Martin Wagner, Munich (DE)
- (73) Assignee: **stilform GmbH**, Munich (DE)
- (**) Term: **15 Years**
- (21) Appl. No.: **29/605,014**
- (22) Filed: **May 23, 2017**
- (51) **LOC (11) Cl.** **19-06**
- (52) **U.S. Cl.**
USPC **D19/179**; D19/176
- (58) **Field of Classification Search**
USPC D14/411; D19/115–204
CPC . B43K 5/005; B43K 7/12; B43K 8/04; B43K
8/06; B43K 19/00; B43K 19/02; B43K
19/14; B43K 21/006; B43K 21/06
See application file for complete search history.

(56) **References Cited**

U.S. PATENT DOCUMENTS

- D39,560 S * 9/1908 Heyman D19/179
- 2,109,342 A * 2/1938 Rebl B43K 29/013
101/103
- 2,377,117 A * 5/1945 Watkins A61F 17/00
206/225
- D141,588 S * 6/1945 Kahn D19/179
- D144,534 S * 4/1946 Beckstrom D19/179
- D145,587 S * 9/1946 Reynolds D19/179
- D146,806 S * 5/1947 Moholy-Nagy D19/179
- 2,456,904 A * 12/1948 Wahlstrom B41K 1/006
101/333
- 2,467,608 A * 4/1949 Bischof B43K 29/10
362/118
- 2,479,414 A * 8/1949 Sanbonmatsu B43K 5/17
401/107
- 2,483,329 A * 9/1949 Wahl B43K 7/12
401/110
- 2,620,143 A * 12/1952 Armelin B43K 29/12
206/38

- 2,646,777 A * 7/1953 Zarur B43K 5/06
401/177
 - D172,929 S * 8/1954 Kahla D19/179
 - D178,033 S * 6/1956 Young D19/179
- (Continued)

FOREIGN PATENT DOCUMENTS

DE 4020162022360001 1/2017

OTHER PUBLICATIONS

Christoph Borer and Martin Wagner, “Kosmos | The World’s Best Pen in 2016”, published Aug. 10, 2016 at <https://www.kickstarter.com/projects/stilform/kosmos/>, retrieved May 15, 2017.

Kogogo, “Kogogo Full Metal Gel Ink Rollerball Pens Clean and Minimalist Design(Black)”, Date First Available Jan. 18, 2017, retrieved May 15, 2017.

Michael, “Kosmos—An Award Winning Pen With the Most Intuitive Design”, published Aug. 13, 2016 at <http://thegadgetflow.com/portfolio/kosmos-an-award-winning-pen/>, retrieved May 15, 2017.

(Continued)

Primary Examiner — Elizabeth A Albert

(74) *Attorney, Agent, or Firm* — Smartpat PLC

(57) **CLAIM**

We claim the ornamental design for a pen, as shown and described.

DESCRIPTION

FIG. 1 is a perspective view of a pen showing our new design in a storage state;

FIG. 2 is a front view thereof, the rear view, left side view, and right side view being identical;

FIG. 3 is a top view thereof;

FIG. 4 is a bottom view thereof;

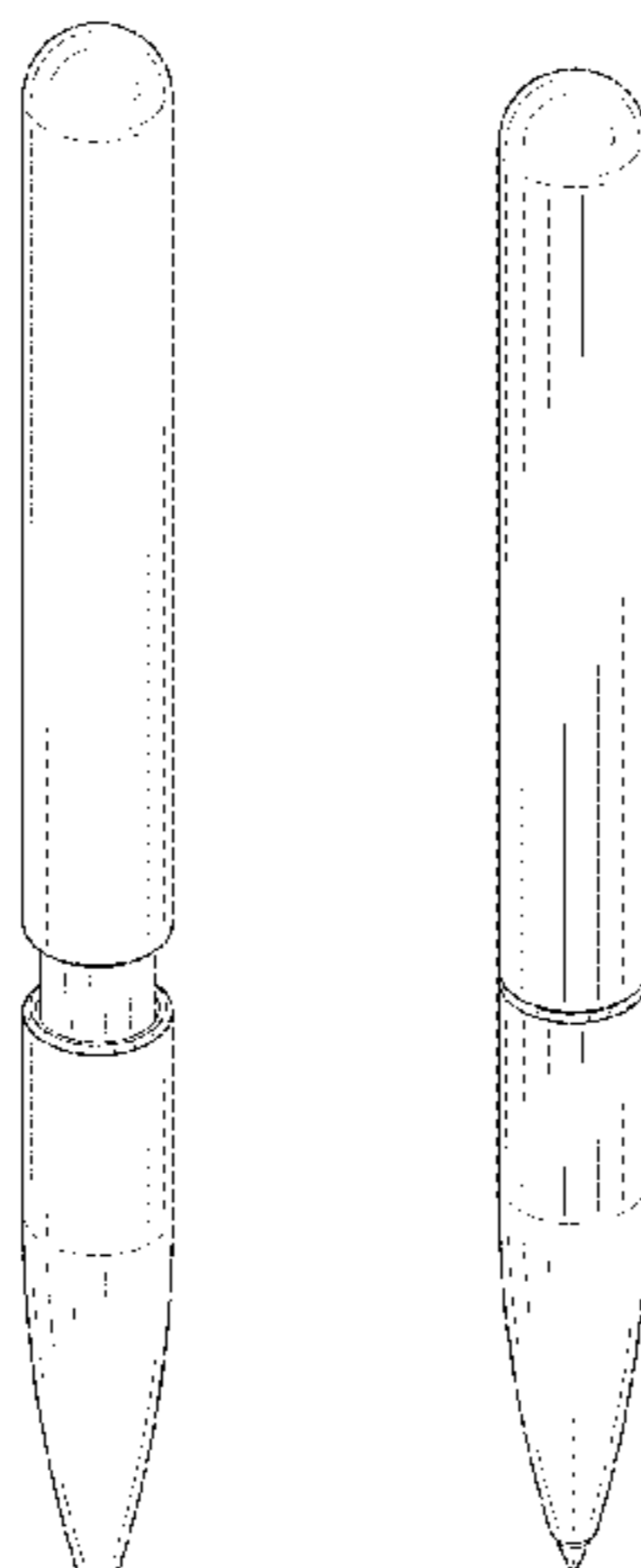
FIG. 5 is a perspective view of the pen in a writing state and the tip of the pen being exposed;

FIG. 6 is a front view thereof, the rear view, left side view, and right side view being identical;

FIG. 7 is a top view thereof; and,

FIG. 8 is a bottom view thereof.

1 Claim, 4 Drawing Sheets



(56)

References Cited

U.S. PATENT DOCUMENTS

D181,705 S * 12/1957 Bruce D19/179
 D188,266 S * 6/1960 Bunn et al. D19/179
 5,967,684 A * 10/1999 Huang B43K 24/082
 24/11 F
 D436,624 S * 1/2001 Zier D19/176
 D449,339 S * 10/2001 Chan D19/174
 D467,613 S * 12/2002 Indegno D19/185
 D488,509 S * 4/2004 Pellissa Beneyto D19/176
 D497,389 S * 10/2004 Katami D19/184
 D562,896 S * 2/2008 Delaney D19/176
 7,377,709 B2 * 5/2008 Butler A45D 40/18
 401/17
 D589,558 S * 3/2009 Avenatti D19/176
 D675,621 S * 2/2013 Fletcher D14/411

OTHER PUBLICATIONS

Sarang Sheth, "Pentastic and Pencredible!", published Sep. 7, 2016 at <http://www.yankodesign.com/2016/09/07/kosmos-pen-is-pentastic-and-pencredible/>, retrieved May 15, 2017.
 Stilform GmbH, "Kosmos Pen", published Aug. 10, 2016 at <https://www.stilform-design.de>, retrieved May 15, 2017.
 Stilform, "Our pen Kosmos—Soon on Kickstarter. ", Jul. 8, 2016, Facebook.com, <https://www.facebook.com/stilform.design/photos/a.208605512645998.1073741828.204927343013815/591175341055678/?type=3>, retrieved May 22, 2017.
 Unknown Author, "usus.io meteor", unknown publication date, <http://www.usus-shop.de/usus-io/usus-io-meteor/a-379911>, retrieved May 22, 2017.
 Unknown, "Kosmos Pen", published Jan. 3, 2017 at <http://www.blessthisstuff.com/stuff/wear/acessories/kosmos-pen/>, retrieved May 15, 2017.

* cited by examiner

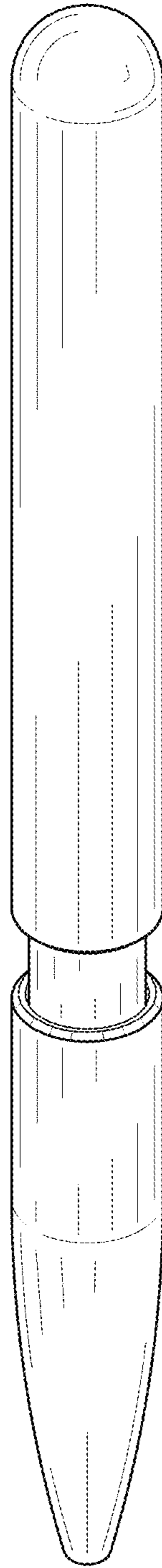


FIG. 1

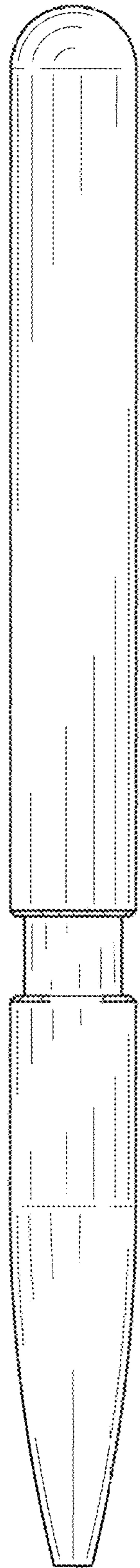


FIG. 2

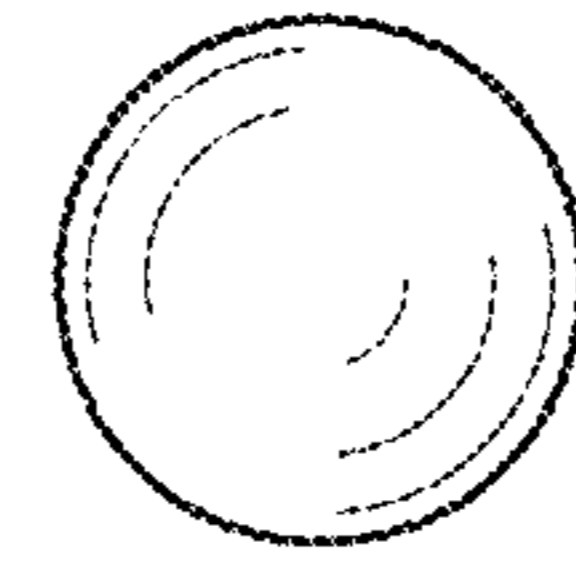


FIG. 3

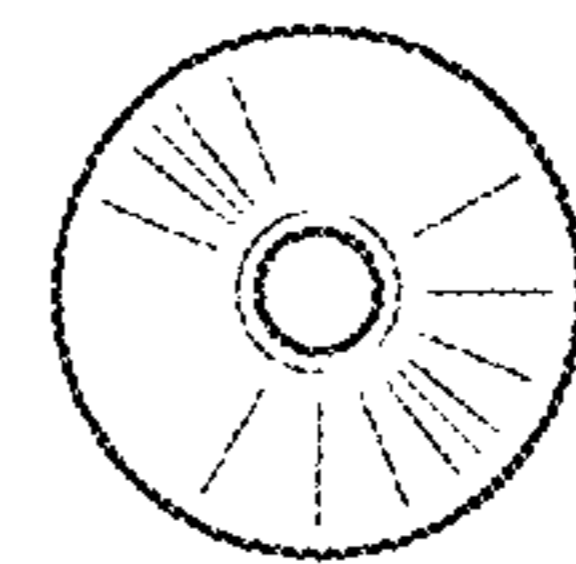


FIG. 4

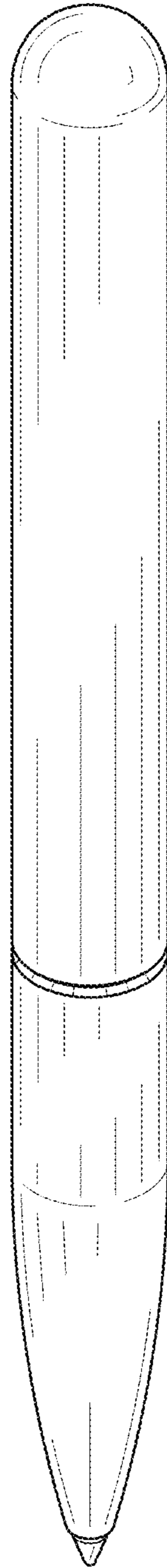


FIG. 5

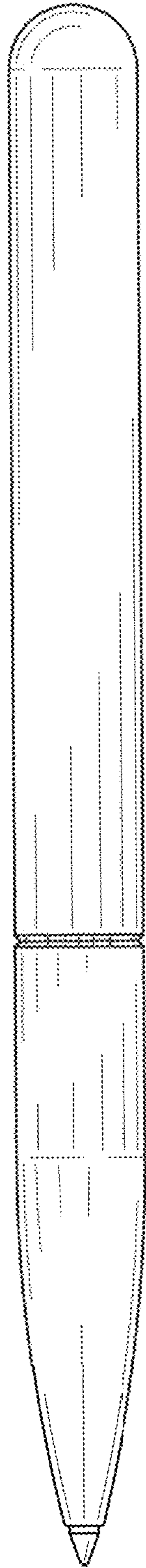


FIG. 6

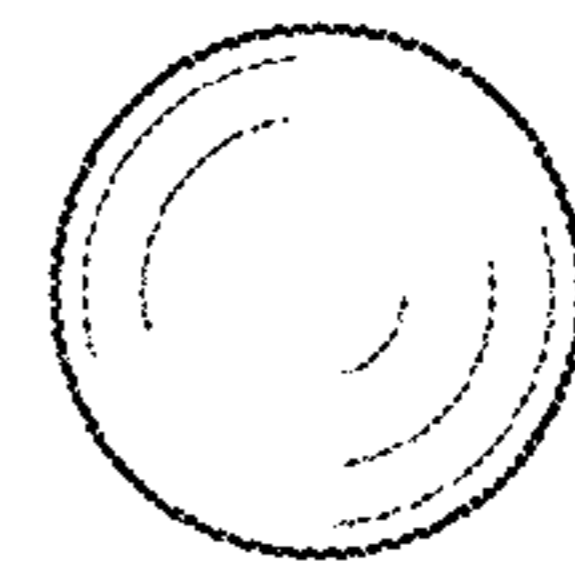


FIG. 7

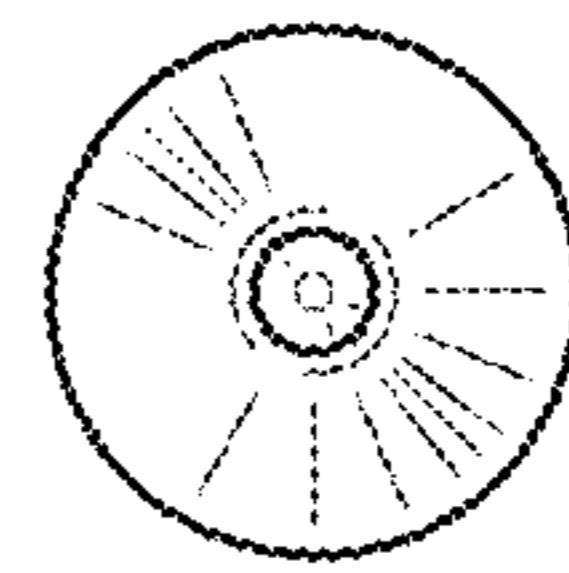


FIG. 8