



US00D823943S

(12) **United States Design Patent** (10) **Patent No.:** **US D823,943 S**
Turner et al. (45) **Date of Patent:** **** Jul. 24, 2018**

(54) **NOTE DISPENSER**

FOREIGN PATENT DOCUMENTS

(71) Applicant: **3M INNOVATIVE PROPERTIES COMPANY**, St. Paul, MN (US)
(72) Inventors: **Traxton J. Turner**, Maplewood, MN (US); **Alonso M. Hernandez**, St. Paul, MN (US); **James E. Nash**, Bloomington, MN (US); **Matt R. Branscomb**, Lakeville, MN (US); **Jennifer L. Lindberg**, Willernie, MN (US)

DE M8803773 6/1989
JP 822391 11/1991
JP 848975 10/1992
JP D1596774 * 7/2017

(73) Assignee: **3M INNOVATIVE PROPERTIES COMPANY**, St. Paul, MN (US)

OTHER PUBLICATIONS

BU roproduktedatalog95-96, P7, Jan. 17, 1997, (JPO Reference No. HD09000434).
Sticky MEM, ZW802, P3, Aug. 31, 2005, (JPO Reference No. HD17017574).

(**) Term: **15 Years**

* cited by examiner

Primary Examiner — Cynthia Ramirez

Assistant Examiner — Laura H Yu

(74) *Attorney, Agent, or Firm* — Irina Hass

(21) Appl. No.: **29/591,256**

(57) **CLAIM**

The ornamental design for a note dispenser, as shown and described.

(22) Filed: **Jan. 18, 2017**

(51) **LOC (11) Cl.** **19-02**

(52) **U.S. Cl.**
USPC **D19/86**

DESCRIPTION

(58) **Field of Classification Search**
USPC D19/86, 75; D14/217, 240, 253;
D13/108; 221/45
CPC B42D 5/005
See application file for complete search history.

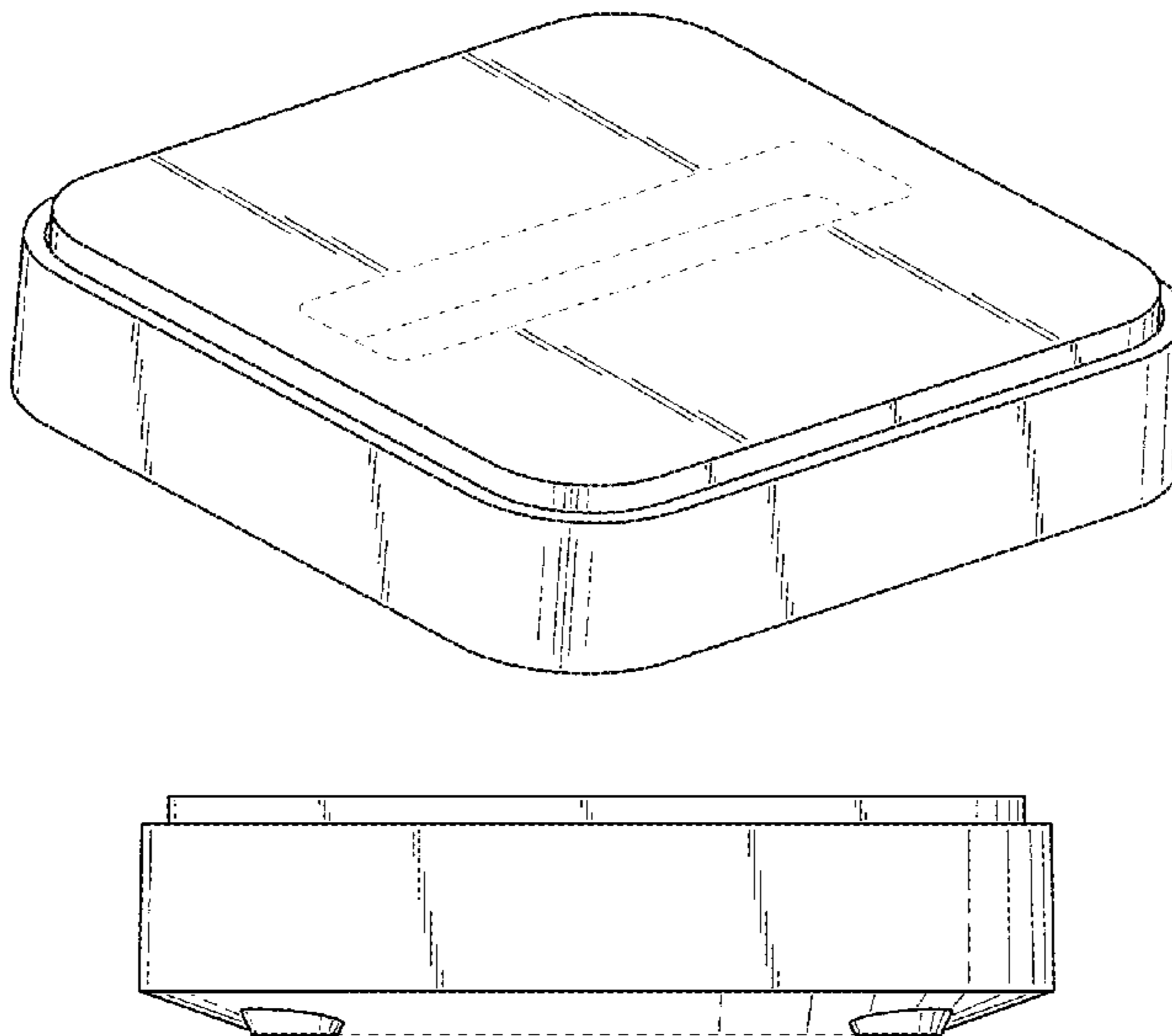
FIG. 1 is a perspective view of a note dispenser showing our new design;
FIG. 2 is a top view thereof;
FIG. 3 is a bottom view thereof;
FIG. 4 is a front view thereof, a rear view being a mirror image thereof;
FIG. 5 is a left side view thereof, a right side view being a mirror image thereof; and,
FIG. 6 is a perspective view thereof in condition of use.
The broken lines showing a note in FIG. 6 are environment and form no part of the claimed design. All other broken lines illustrate portions of the note dispenser that form no part of the claimed design.

(56) **References Cited**

U.S. PATENT DOCUMENTS

D357,938 S * 5/1995 Wolff D19/86
D374,858 S * 10/1996 Chu D13/108
D662,491 S * 6/2012 Andre D13/108
D686,595 S * 7/2013 Andre D14/217
D709,553 S 7/2014 Yao
D718,386 S * 11/2014 Packard D19/86

1 Claim, 3 Drawing Sheets



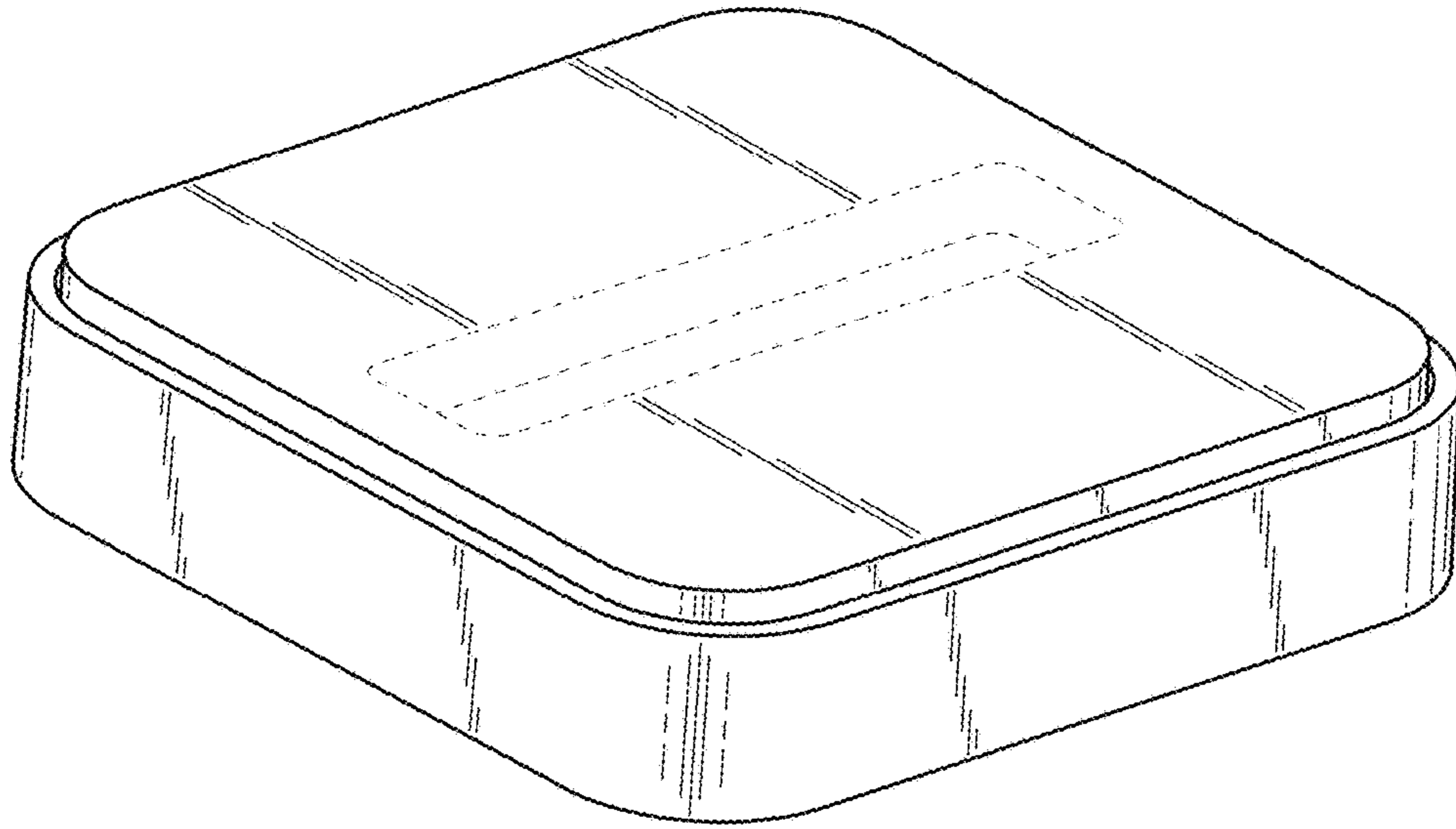


Fig. 1

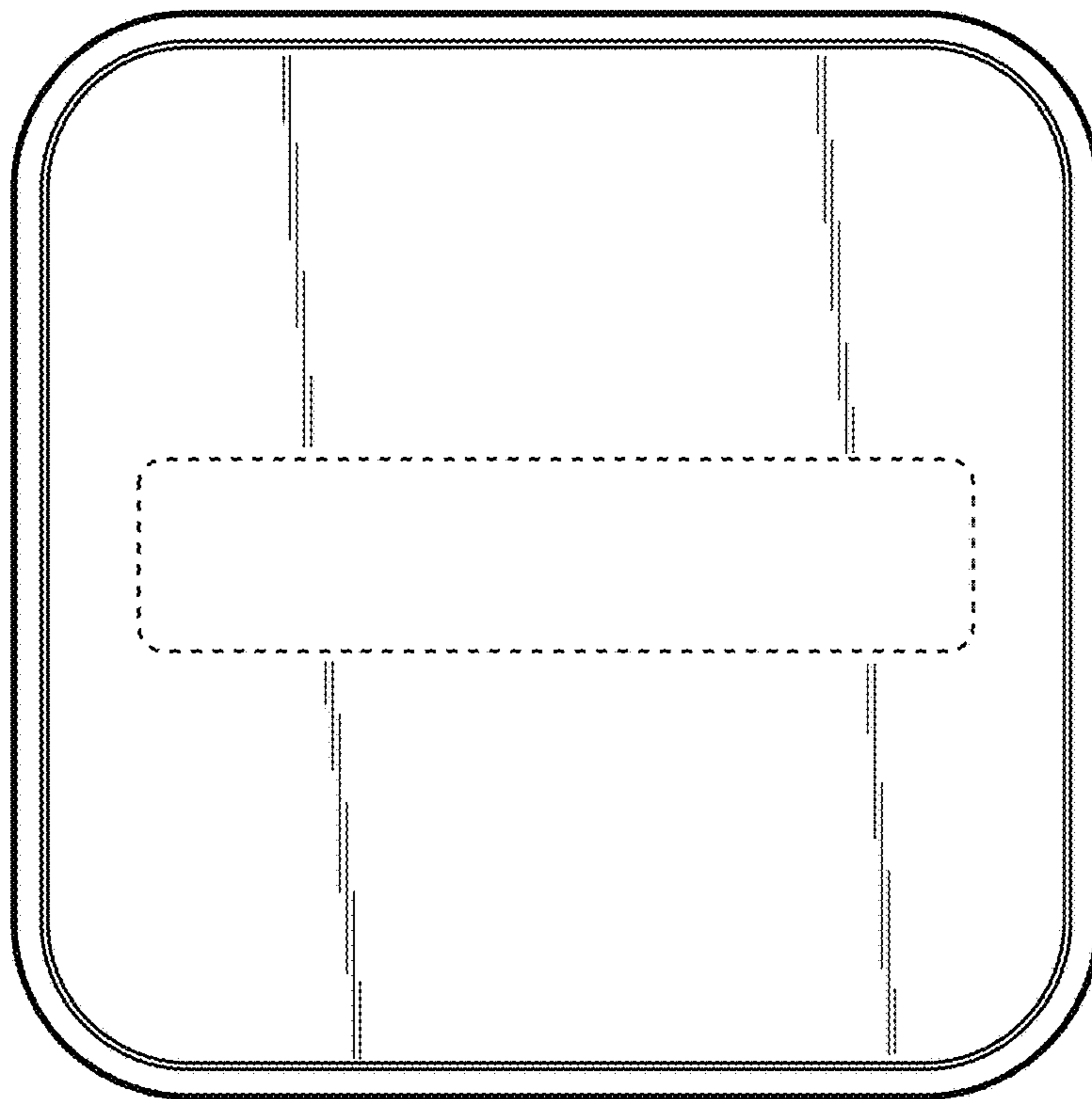


Fig. 2

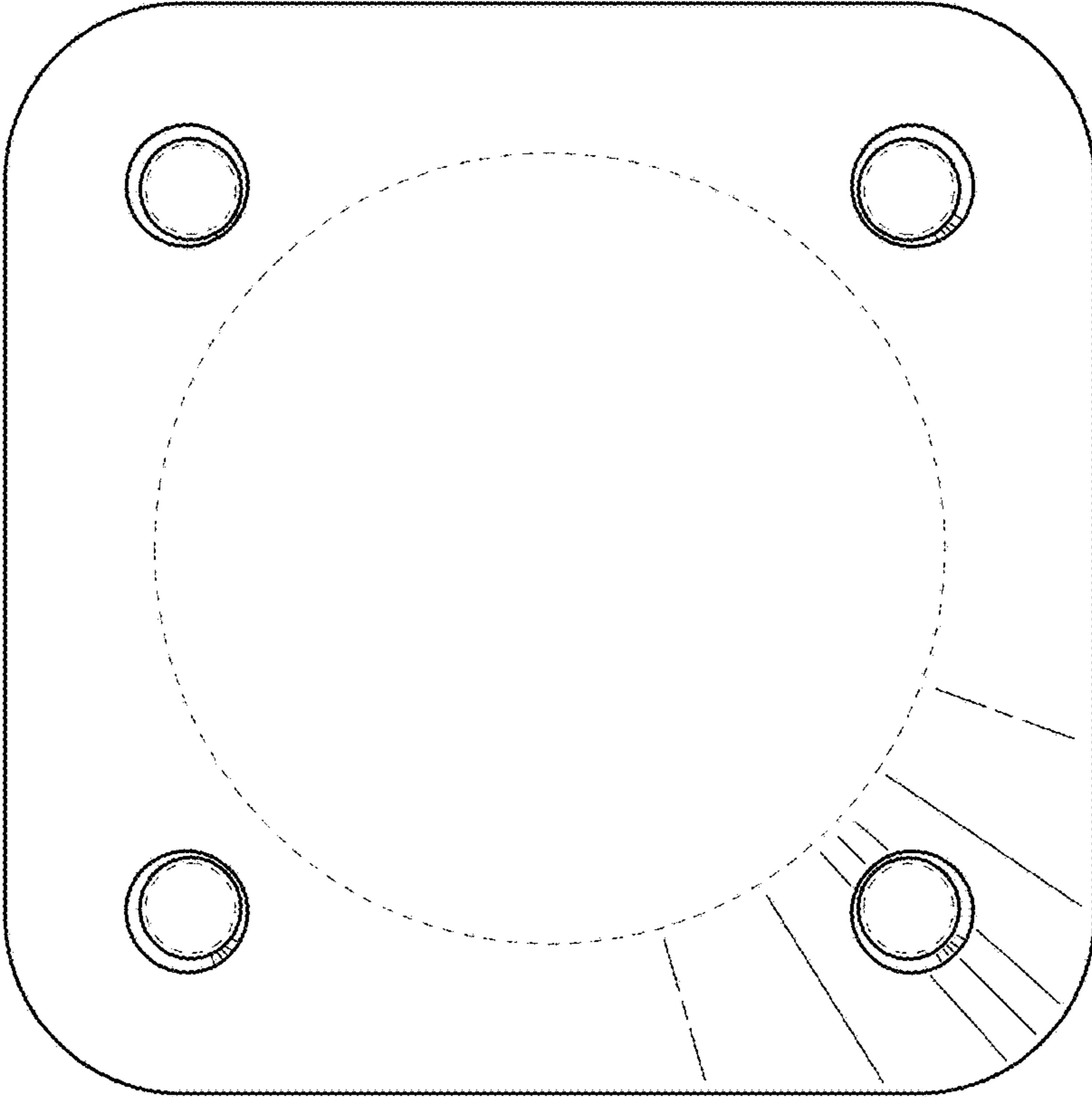


Fig. 3

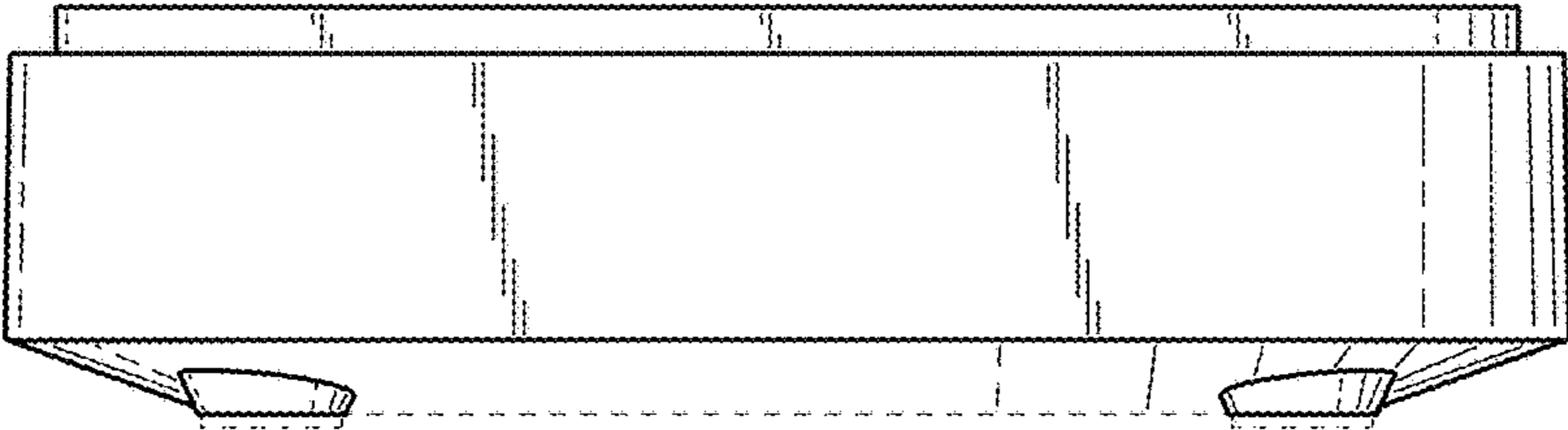


Fig. 4

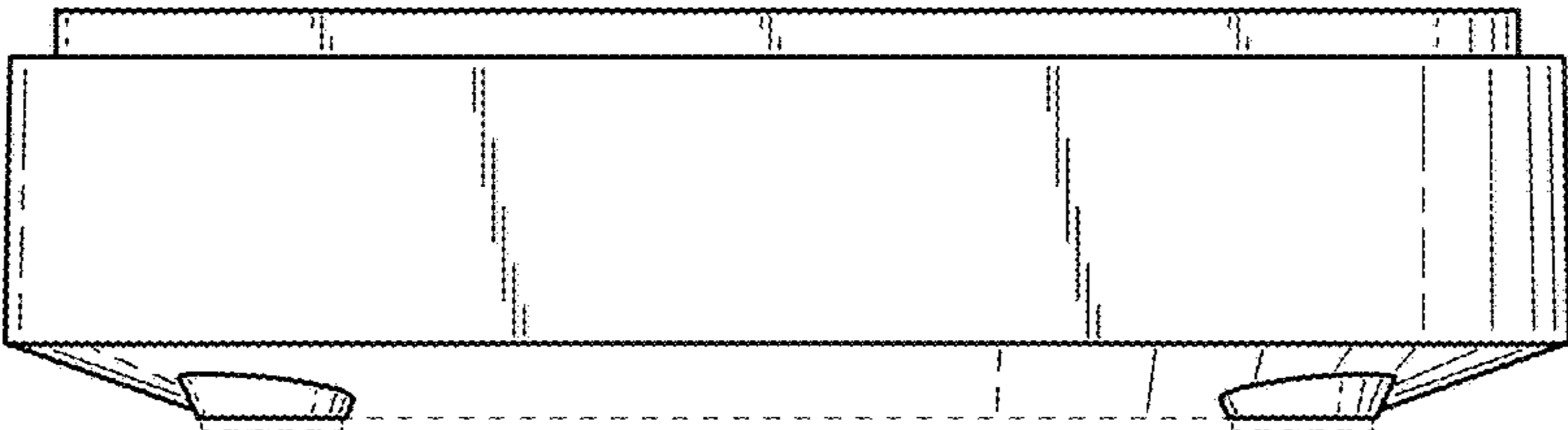


Fig. 5

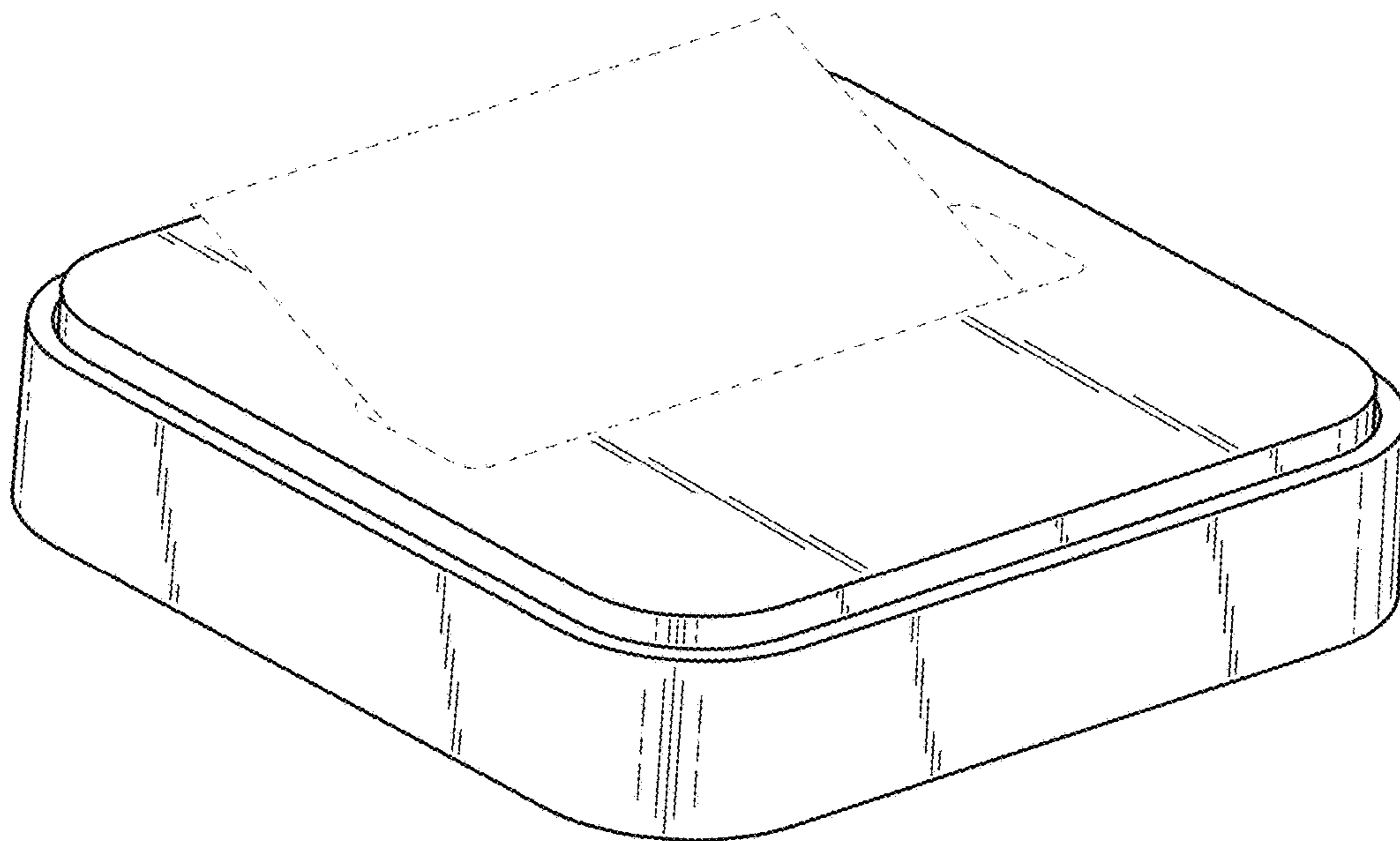


Fig. 6