

US00D823941S

(12) **United States Design Patent**
Pomfret

(10) **Patent No.:** **US D823,941 S**

(45) **Date of Patent:** **** Jul. 24, 2018**

(54) **POSTAGE METER PRINTER MODULE**

(71) Applicant: **DATAPRINT TECHNOLOGY, INC.**,
Woodside, NY (US)

(72) Inventor: **John A. Pomfret**, East Lyme, CT (US)

(73) Assignee: **DATAPRINT TECHNOLOGY, INC.**,
Woodside, NY (US)

(**) Term: **15 Years**

(21) Appl. No.: **29/620,213**

(22) Filed: **Aug. 16, 2016**

Related U.S. Application Data

(63) Continuation-in-part of application No. 14/999,036,
filed on Mar. 22, 2016, now Pat. No. 9,427,973.

(51) **LOC (11) Cl.** **18-02**

(52) **U.S. Cl.**
USPC **D18/56**

(58) **Field of Classification Search**
USPC D18/56, 51, 18, 40, 99, 44
CPC B41J 2/00; B41J 32/00; B41J 27/00; B41J
15/044; B41J 33/00
See application file for complete search history.

(56) **References Cited**

U.S. PATENT DOCUMENTS

5,280,300	A	1/1994	Fong et al.	
5,422,667	A *	6/1995	Daggs	B41J 2/17526 347/50
5,440,333	A	8/1995	Sykora	
5,917,527	A	6/1999	Boyd	
6,234,626	B1	5/2001	Axtell et al.	
6,238,038	B1	5/2001	Gilham et al.	
6,378,978	B1	4/2002	Chang et al.	
6,409,326	B1	6/2002	Giles et al.	

D481,756	S *	11/2003	Shinada	347/86
7,048,366	B2	5/2006	Alexia et al.	
D529,084	S *	9/2006	Myers	D18/56
D534,582	S *	1/2007	Tajima	347/86
D535,688	S *	1/2007	Tajima	347/86
D537,875	S *	3/2007	Yamada	347/86
D538,335	S *	3/2007	Chang	D18/56
D571,396	S *	6/2008	Nip	347/86
D586,388	S *	2/2009	Pomfret	D18/56
D627,818	S *	11/2010	Ishizawa	347/86
8,262,178	B2	9/2012	Muhl	
8,544,988	B1	10/2013	Hooker et al.	
D699,785	S *	2/2014	Harvey	D18/56
D707,290	S *	6/2014	Harvey	D18/56
D712,464	S *	9/2014	Harvey	D18/56
8,894,192	B2	11/2014	Hooker et al.	
9,427,973	B1 *	8/2016	Pomfret	B41J 2/1752

(Continued)

Primary Examiner — Robin V Webster

Assistant Examiner — James C Thorn, Sr.

(74) *Attorney, Agent, or Firm* — Ira S. Dorman

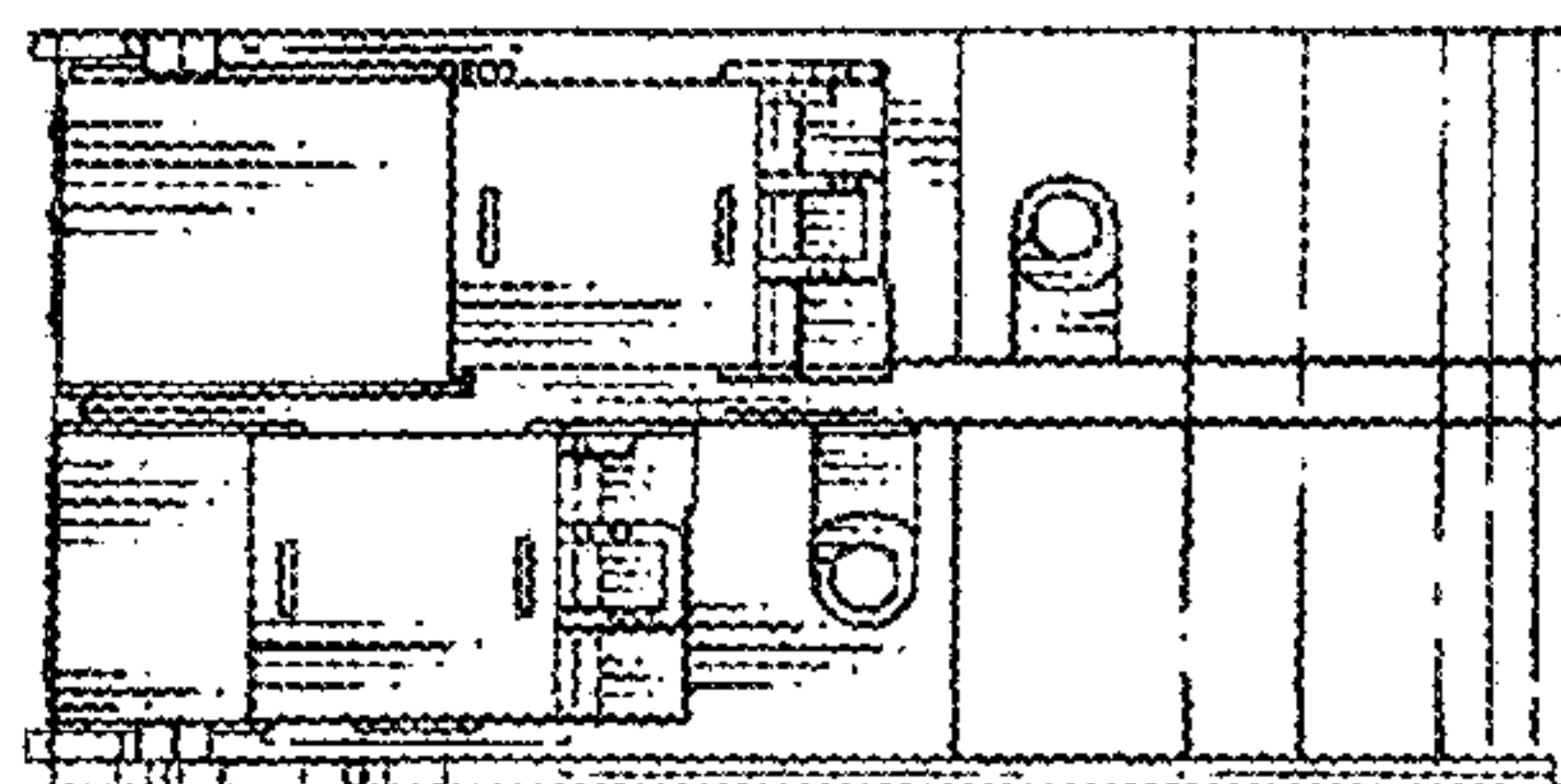
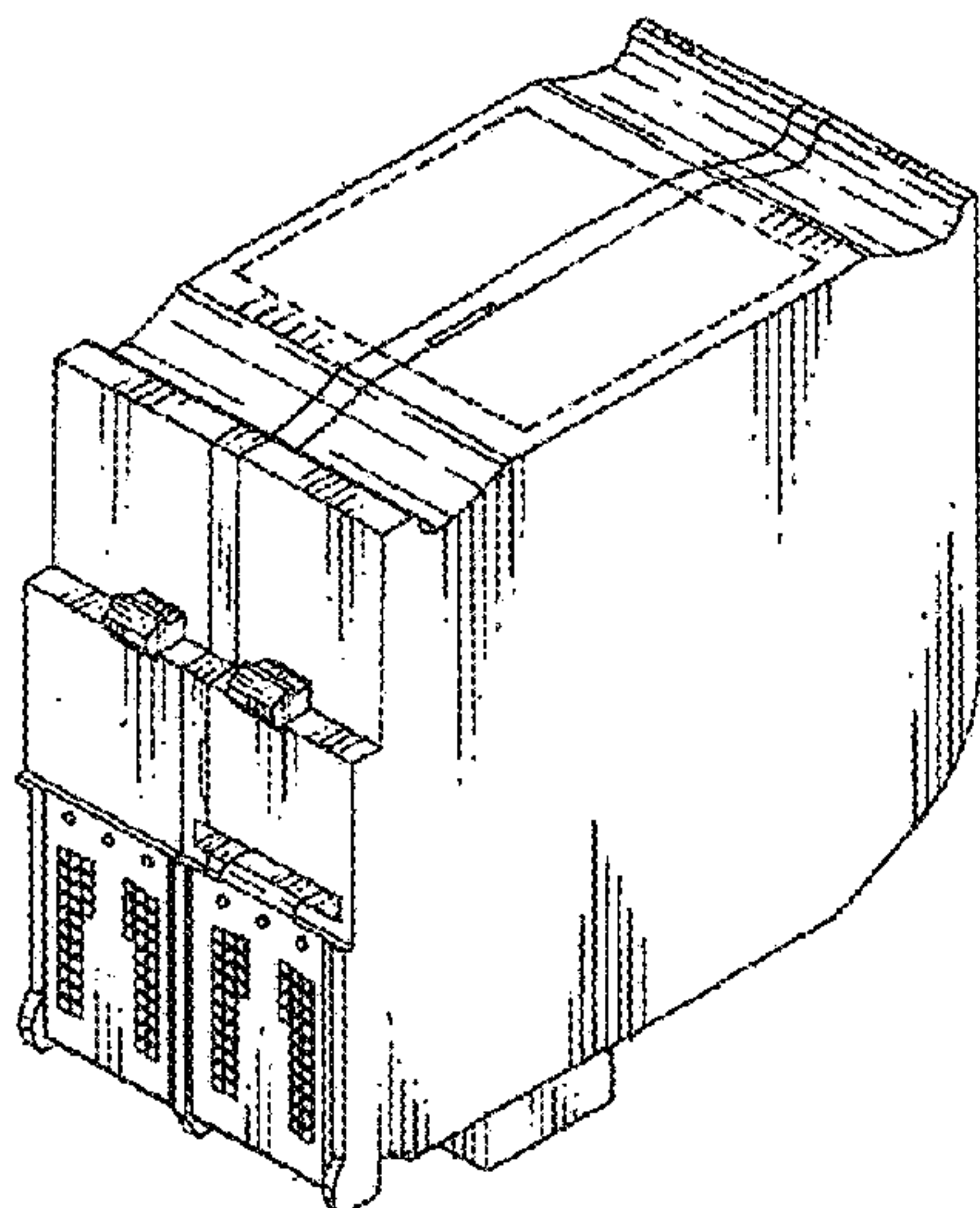
(57) **CLAIM**

The ornamental design for a postage meter printer module,
as shown and described.

DESCRIPTION

FIG. 1 is a perspective view of a postage meter printer module showing my new design, taken from the upper left; FIG. 2 is a perspective view thereof, taken from the lower left; FIG. 3 is a left side elevational view thereof; FIG. 4 is a front elevational view thereof; FIG. 5 is a right side elevational view thereof; FIG. 6 is a rear elevational view thereof; FIG. 7 is a top view thereof; and, FIG. 8 is a bottom view thereof. The broken-line disclosure in FIG. 1 and 7 is for illustrative purposes only, and forms no part of the claimed design.

1 Claim, 4 Drawing Sheets



(56)

References Cited

U.S. PATENT DOCUMENTS

D783,090 S * 4/2017 Okazaki D18/56
D786,347 S * 5/2017 Okazaki D18/56
D791,230 S * 7/2017 Nakai D18/56
D794,708 S * 8/2017 Inuma D18/56
D800,123 S * 10/2017 Tashima D14/421
D809,596 S * 2/2018 Ishizawa D18/56
2008/0084494 A1* 4/2008 Pomfret B41J 32/00
348/345
2014/0063151 A1 3/2014 Hooker et al.
2017/0142826 A1* 5/2017 Takahashi B41J 2/01
2017/0151800 A1* 6/2017 Nagashima B41J 2/17503

* cited by examiner

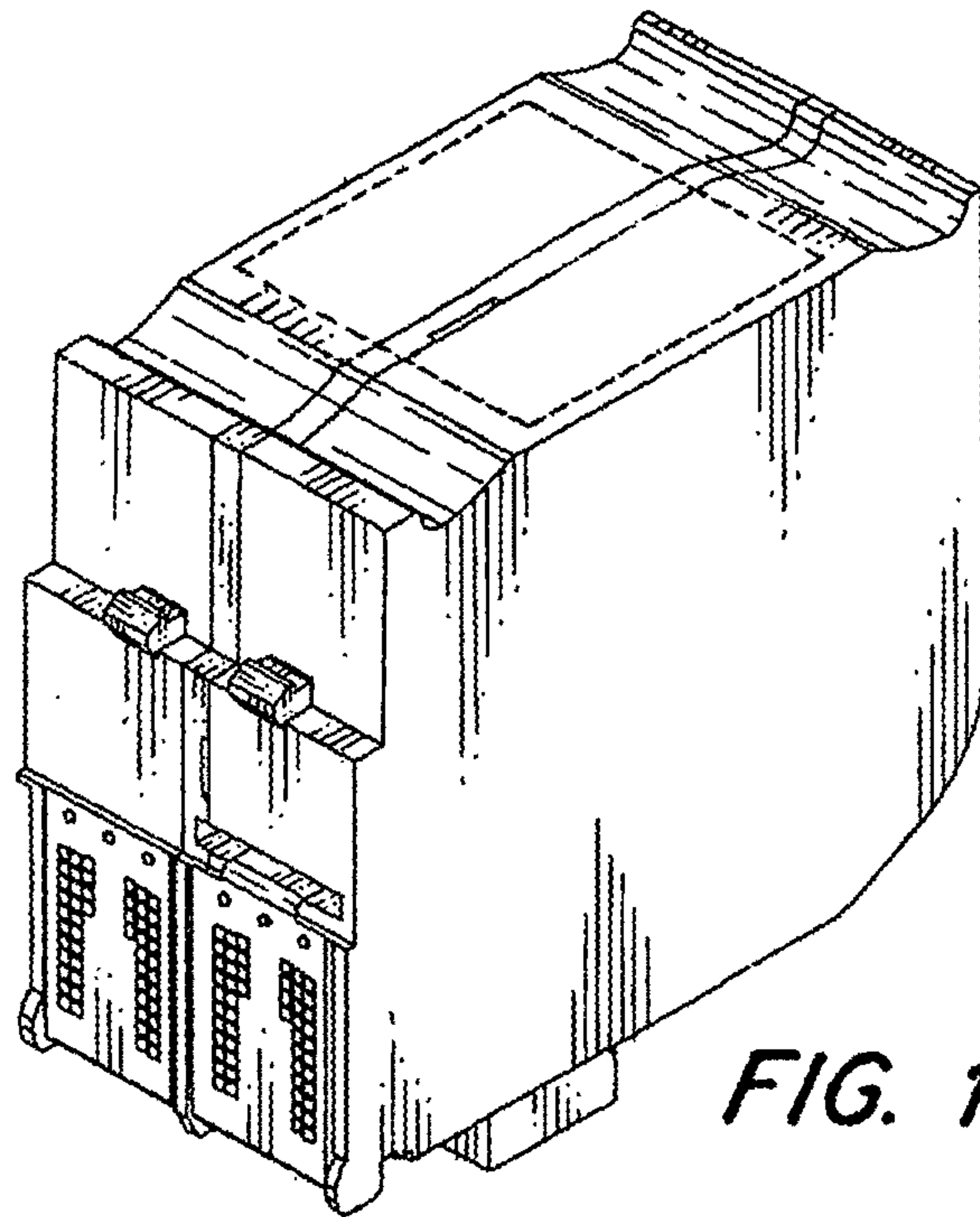


FIG. 1

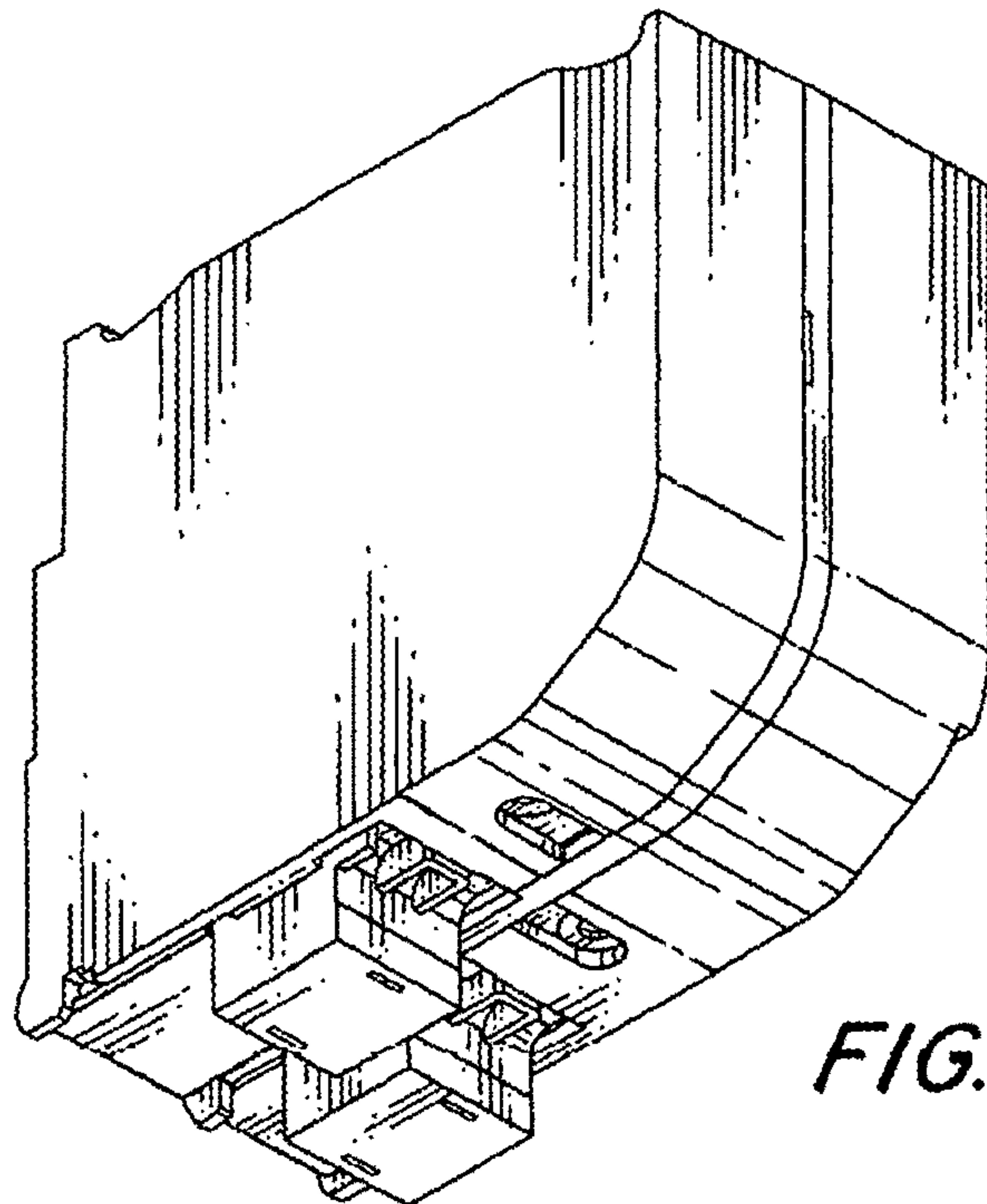


FIG. 2

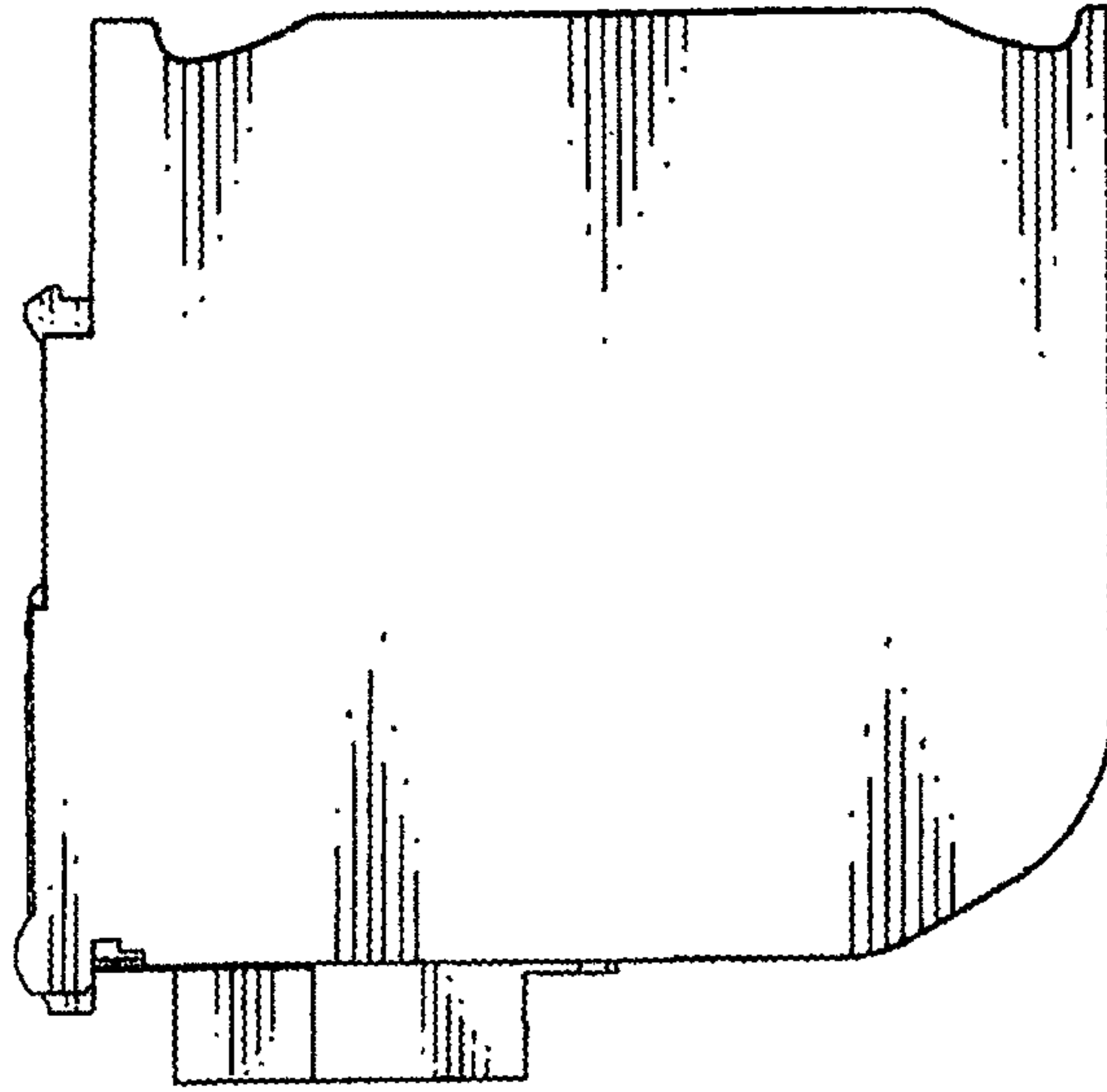


FIG. 3

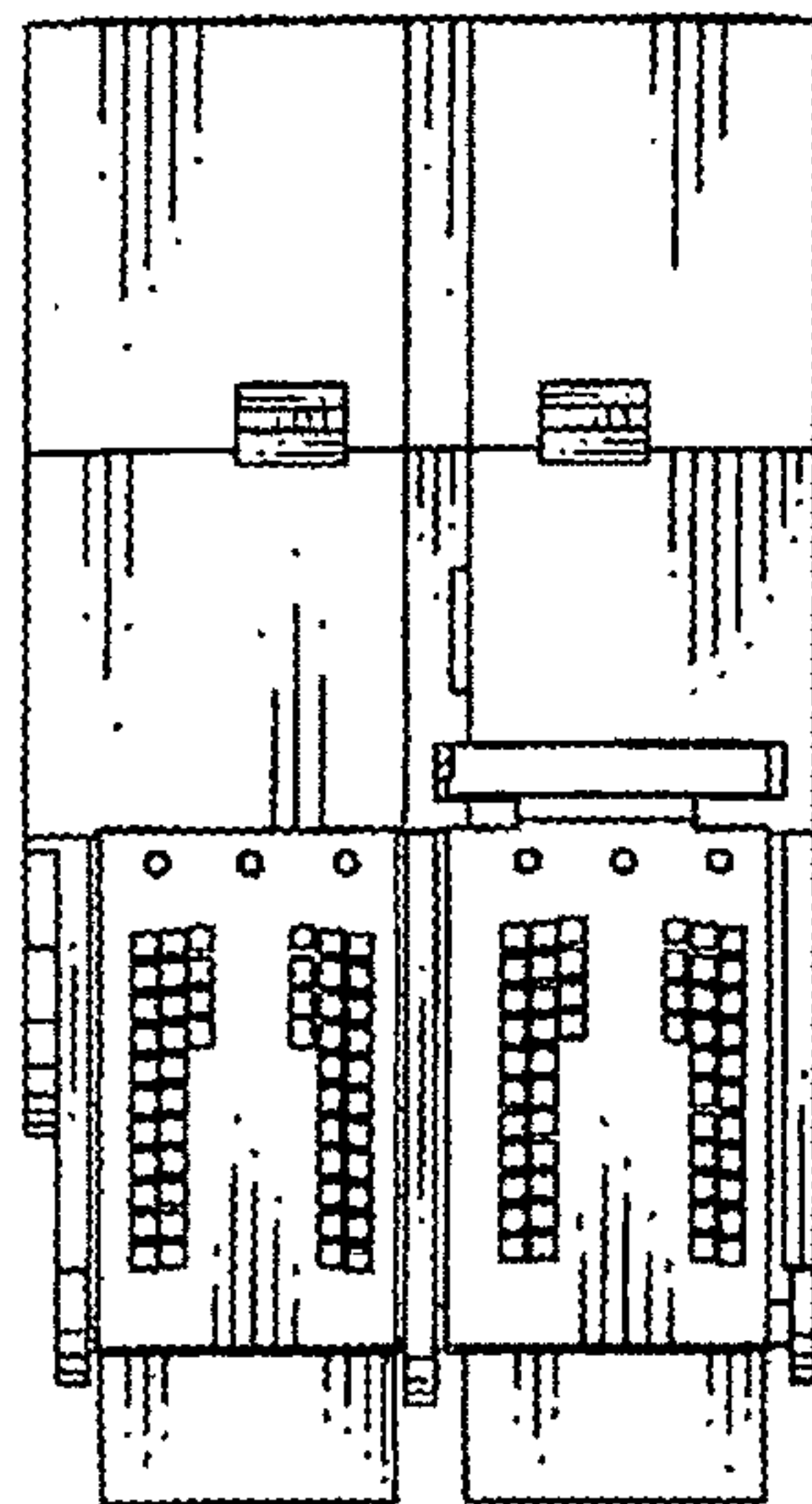


FIG. 4

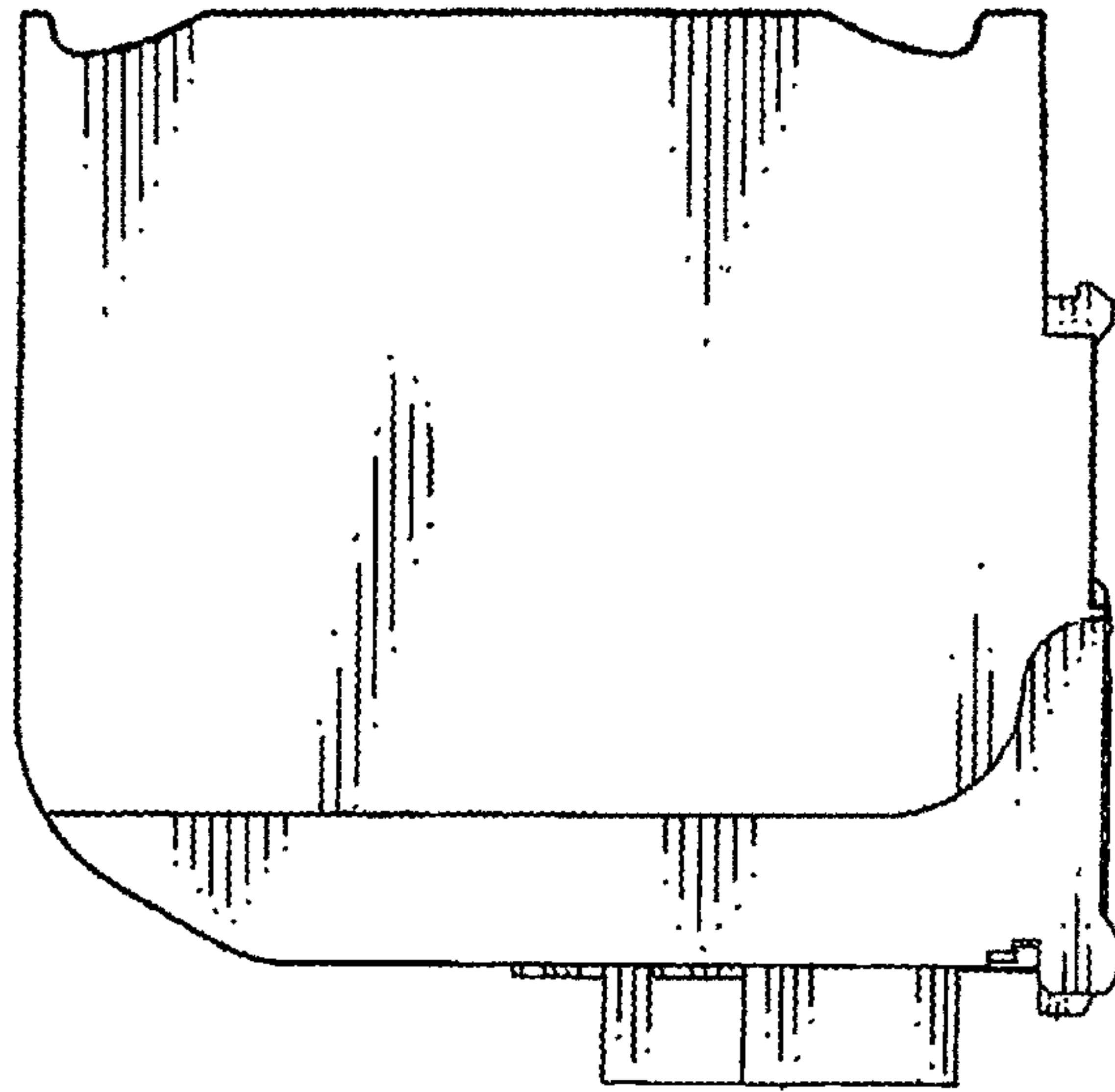


FIG. 5

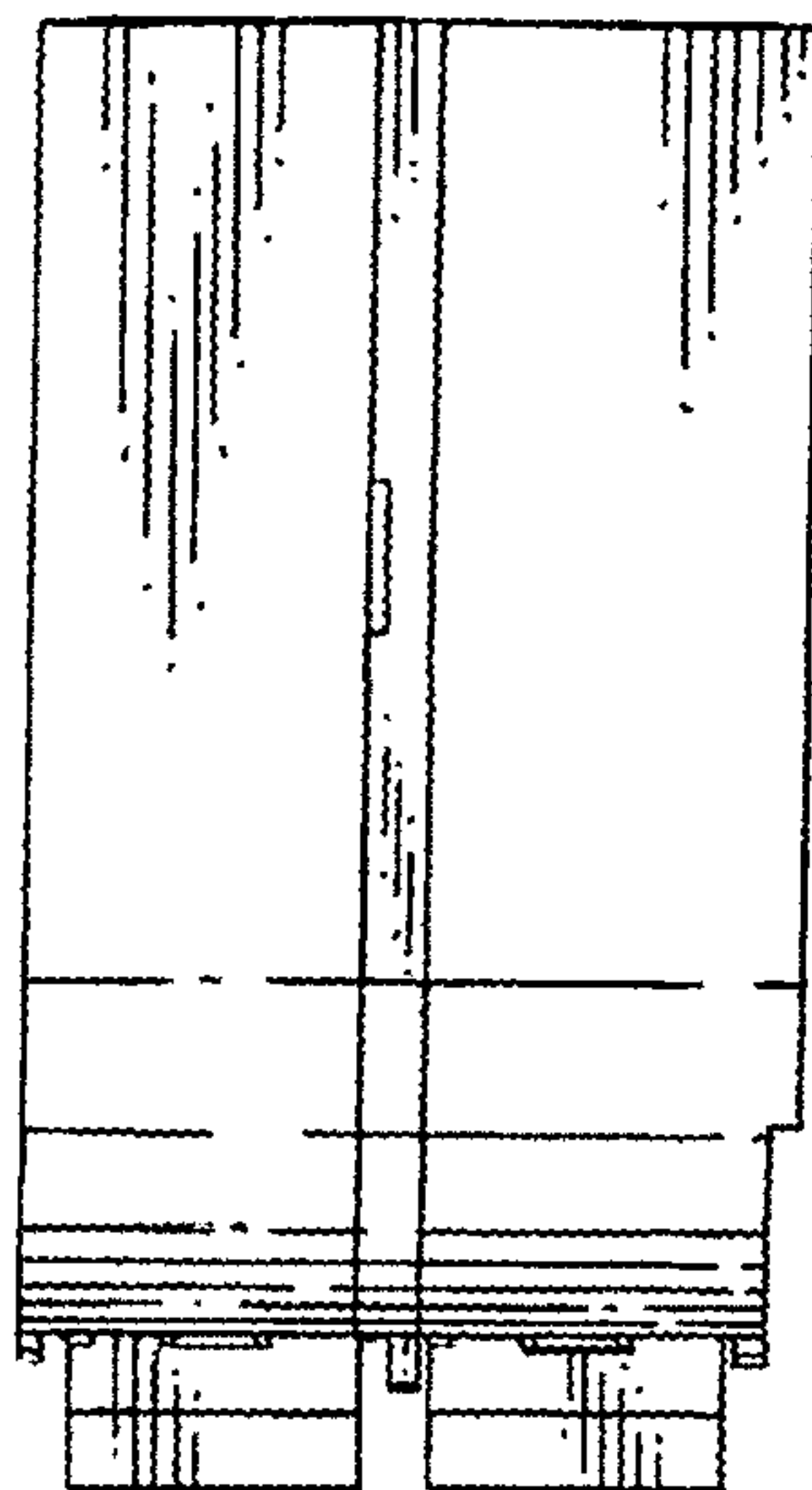


FIG. 6

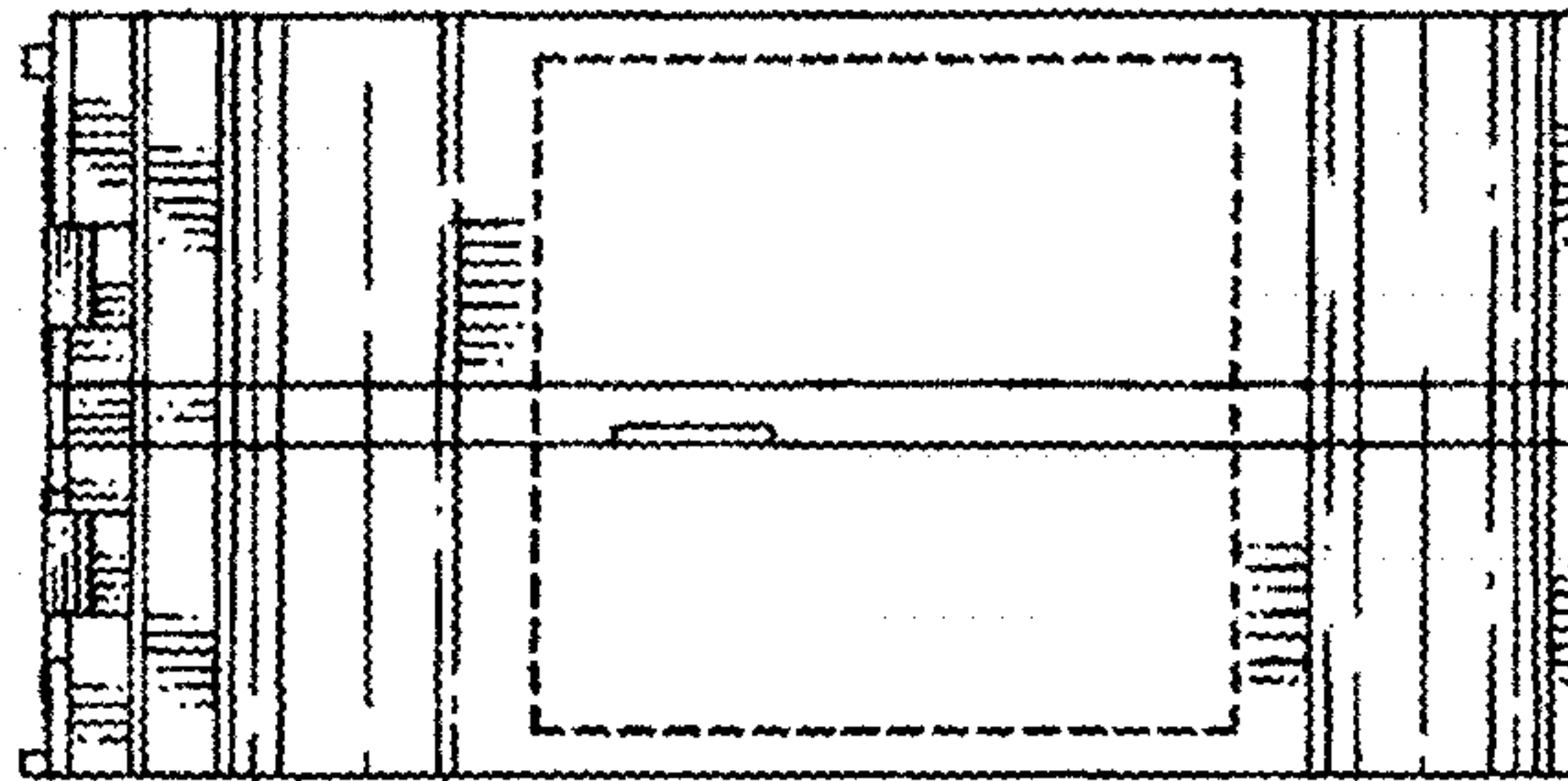


FIG. 7

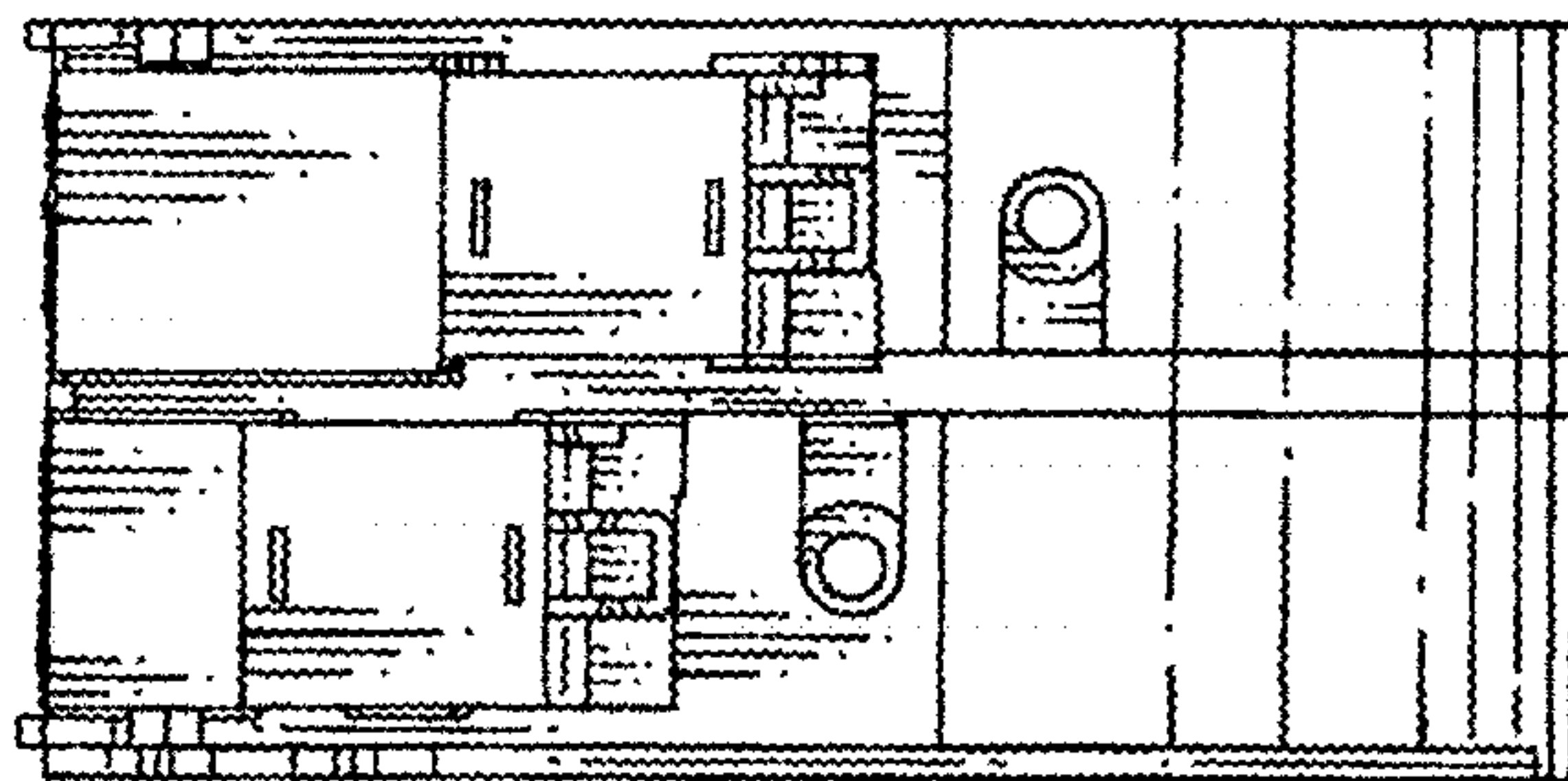


FIG. 8