



US00D823940S

(12) **United States Design Patent**
Himeno et al.

(10) **Patent No.:** **US D823,940 S**
(45) **Date of Patent:** **** Jul. 24, 2018**

(54) **PRINTER**

(71) Applicant: **SEIKO EPSON CORPORATION,**
Tokyo (JP)

(72) Inventors: **Tsuyoshi Himeno,** Shiojiri (JP); **Ichiro Yoshioka,** Matsumoto (JP)

(73) Assignee: **SEIKO EPSON CORPORATION,**
Tokyo (JP)

(**) Term: **15 Years**

(21) Appl. No.: **29/604,663**

(22) Filed: **May 19, 2017**

(30) **Foreign Application Priority Data**

Nov. 22, 2016 (JP) 2016-025384

(51) **LOC (11) Cl.** **18-02**

(52) **U.S. Cl.**
USPC **D18/50**

(58) **Field of Classification Search**
USPC D18/50, 54.1, 54, 36-37, 40, 55;
D14/498, 502
CPC . B41J 3/4075; B41J 11/58; B41J 15/12; B41J
15/42; B41J 29/02; B41J 25/304
See application file for complete search history.

(56) **References Cited**

U.S. PATENT DOCUMENTS

D217,104 S * 4/1970 Gianfagna D18/36
D506,734 S * 6/2005 Oikawa D14/506

D527,416 S * 8/2006 Hattori D18/54
D529,077 S * 9/2006 Takahashi D18/40
D585,037 S * 1/2009 Drozdenko D14/203.1
D614,234 S * 4/2010 Ishikawa D18/55
D712,960 S * 9/2014 Tsuruoka D18/55
D715,357 S * 10/2014 Kim D18/55
D747,356 S * 1/2016 Jou D14/203.1
D754,787 S * 4/2016 Yoshioka D18/50
2016/0037007 A1* 2/2016 Yamashita H04N 1/00551
347/110
2017/0217222 A1* 8/2017 Sugiyama B65H 31/02

* cited by examiner

Primary Examiner — Robin Valery Webster

Assistant Examiner — James C. Thorn, Sr.

(57) **CLAIM**

The ornamental design for a printer, as shown and described.

DESCRIPTION

FIG. 1 is a front, top, and right side perspective view of a printer showing our new design;
FIG. 2 is a rear, top, and left side perspective view thereof;
FIG. 3 is a front view thereof;
FIG. 4 is a rear view thereof;
FIG. 5 is a top plan view thereof;
FIG. 6 is a bottom plan view thereof;
FIG. 7 is a right side view thereof; and,
FIG. 8 is a left side view thereof.

The broken lines illustrate portions of the printer and form no part of the claimed design.

1 Claim, 8 Drawing Sheets

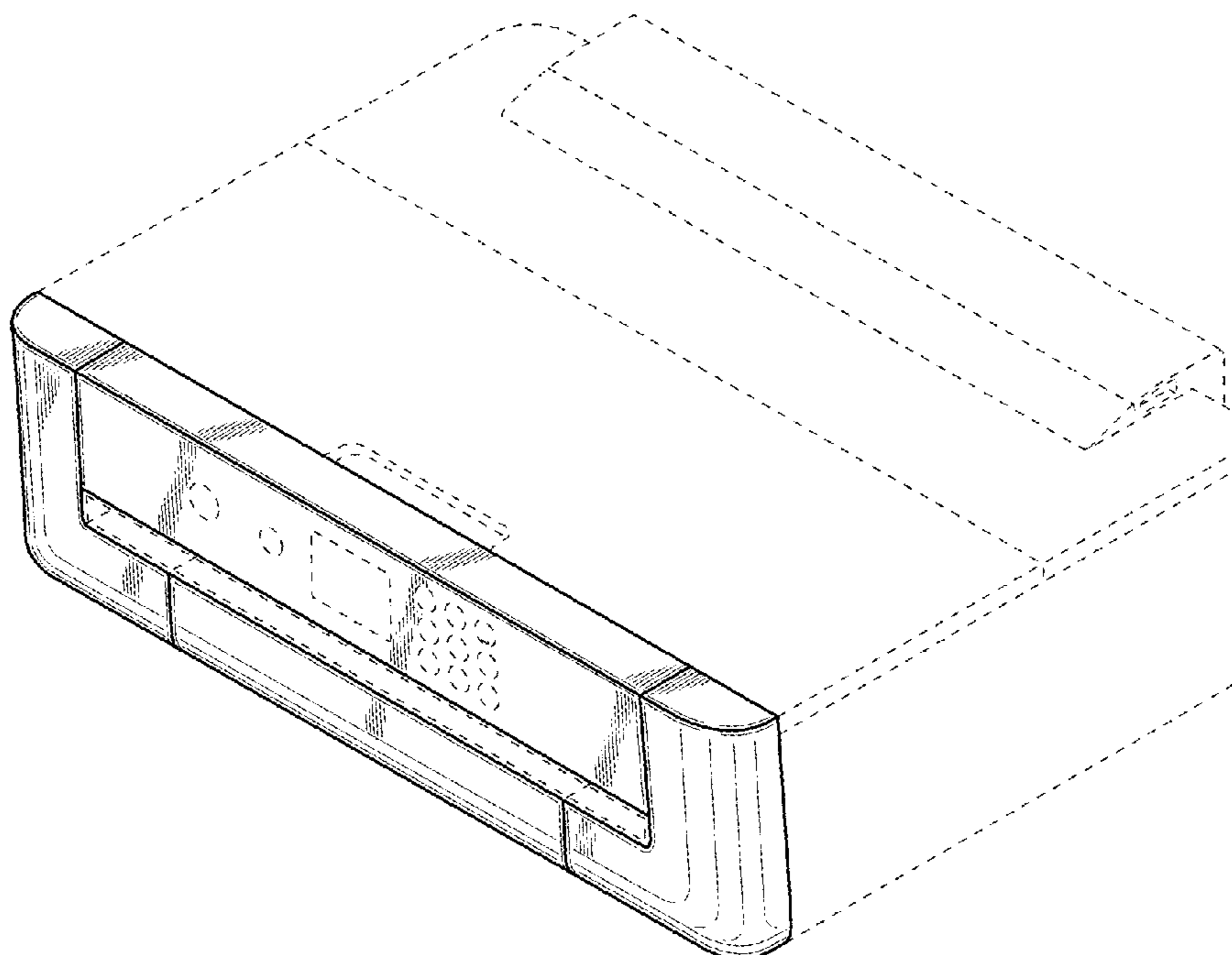


FIG. 1

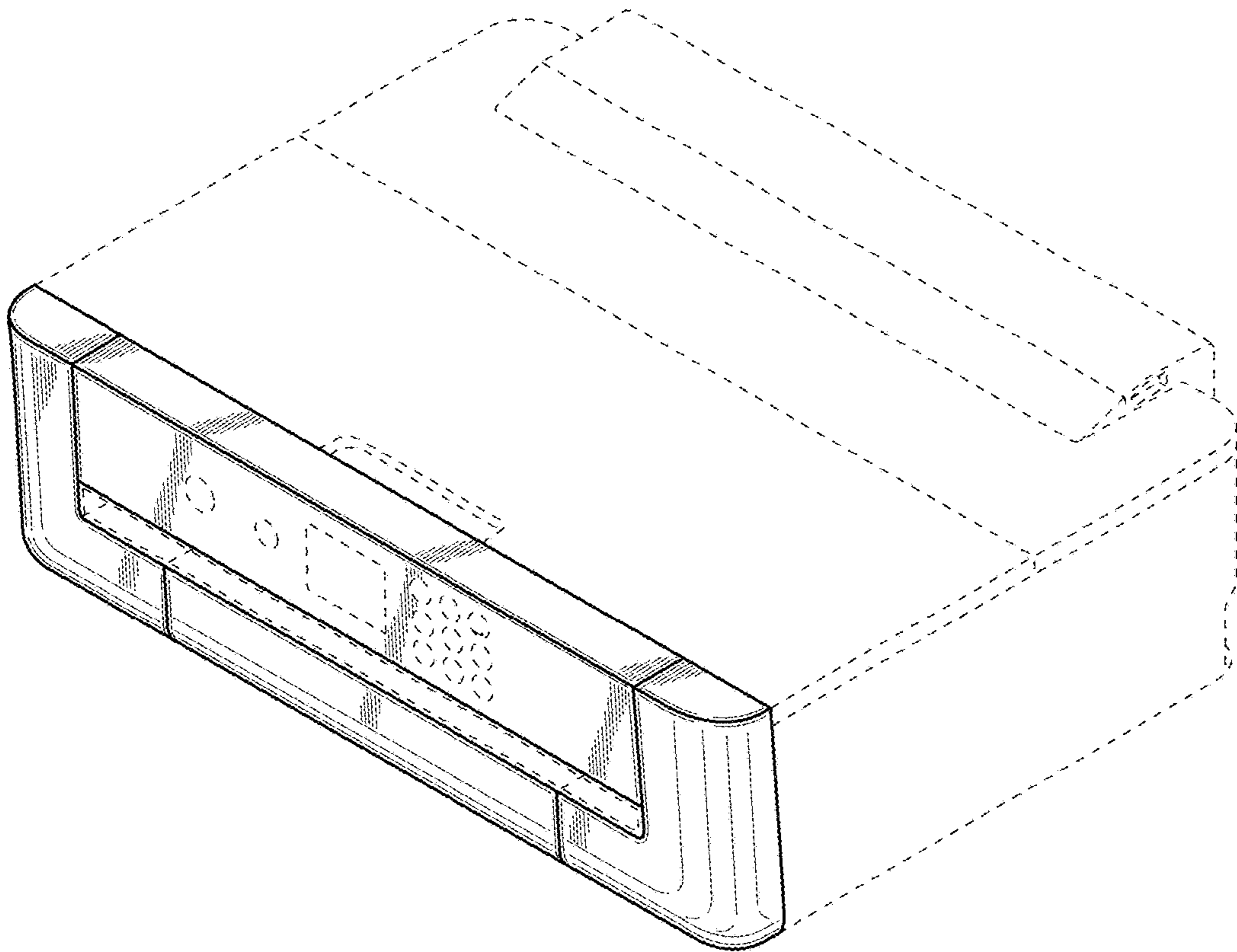


FIG. 2

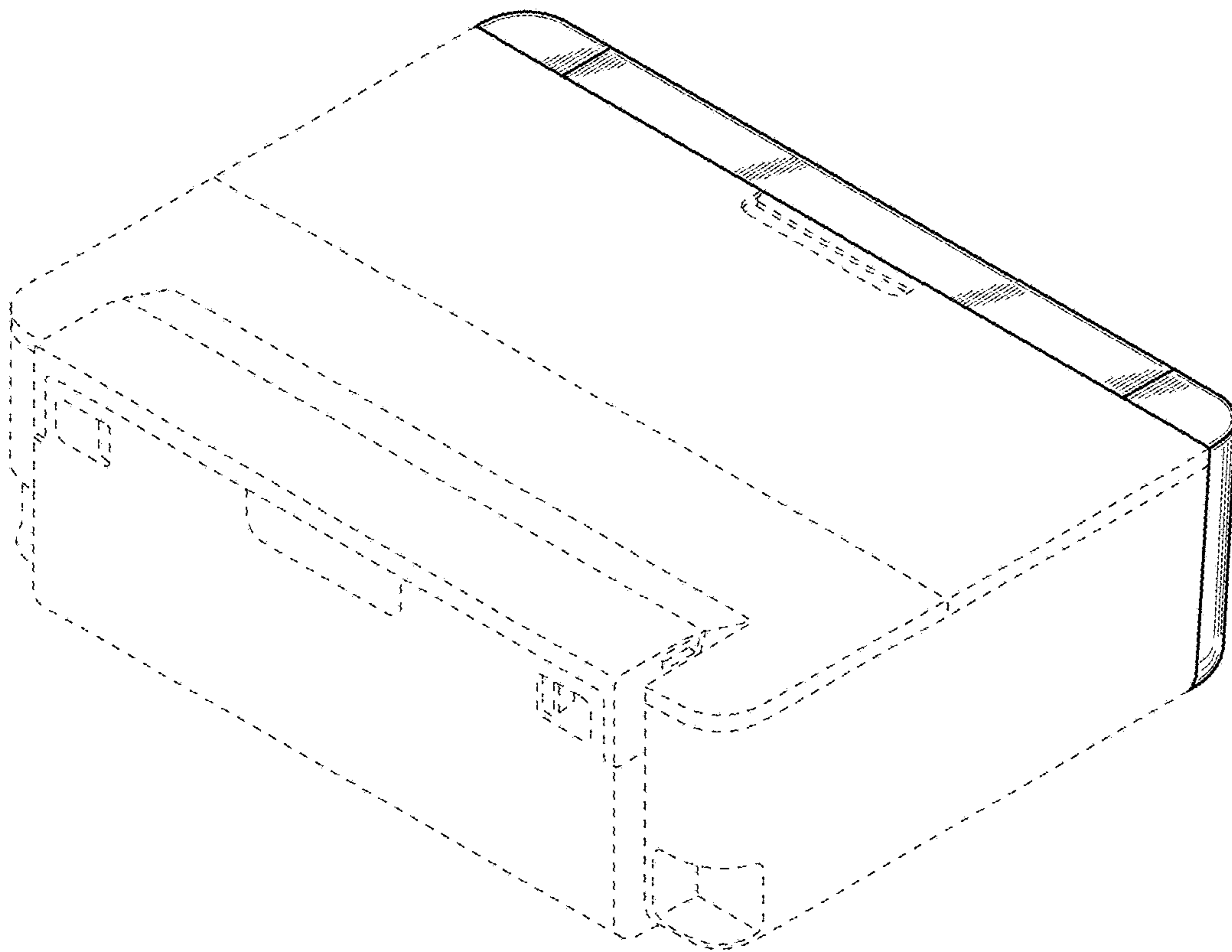


FIG. 3

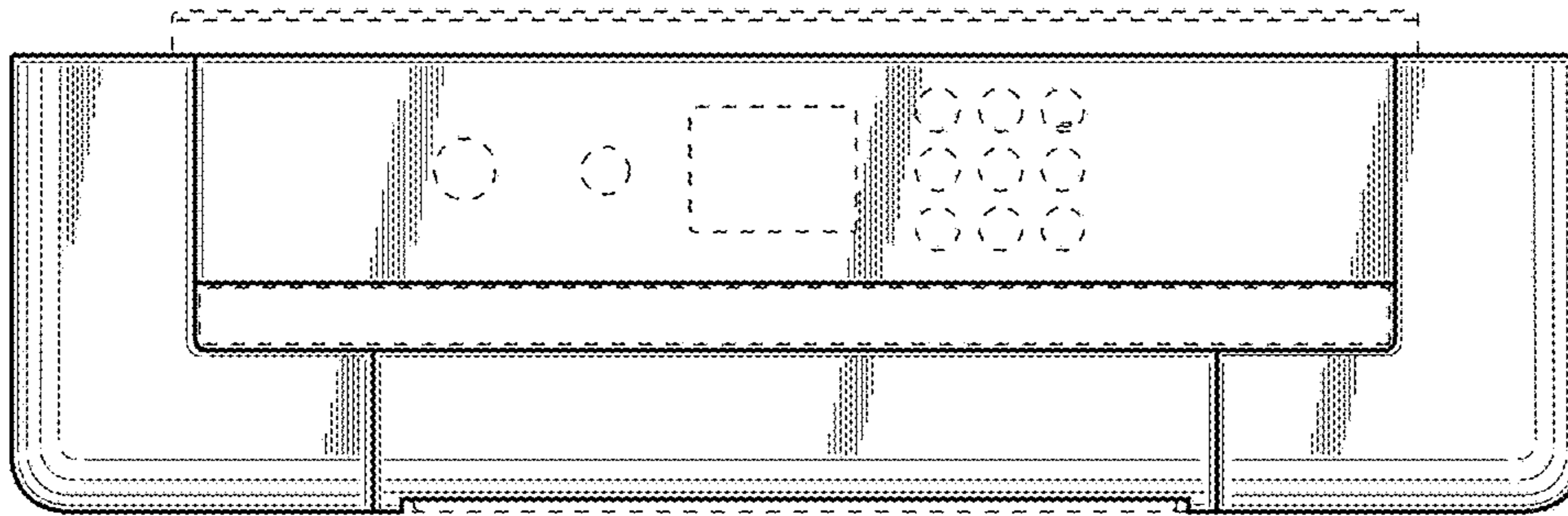


FIG. 4

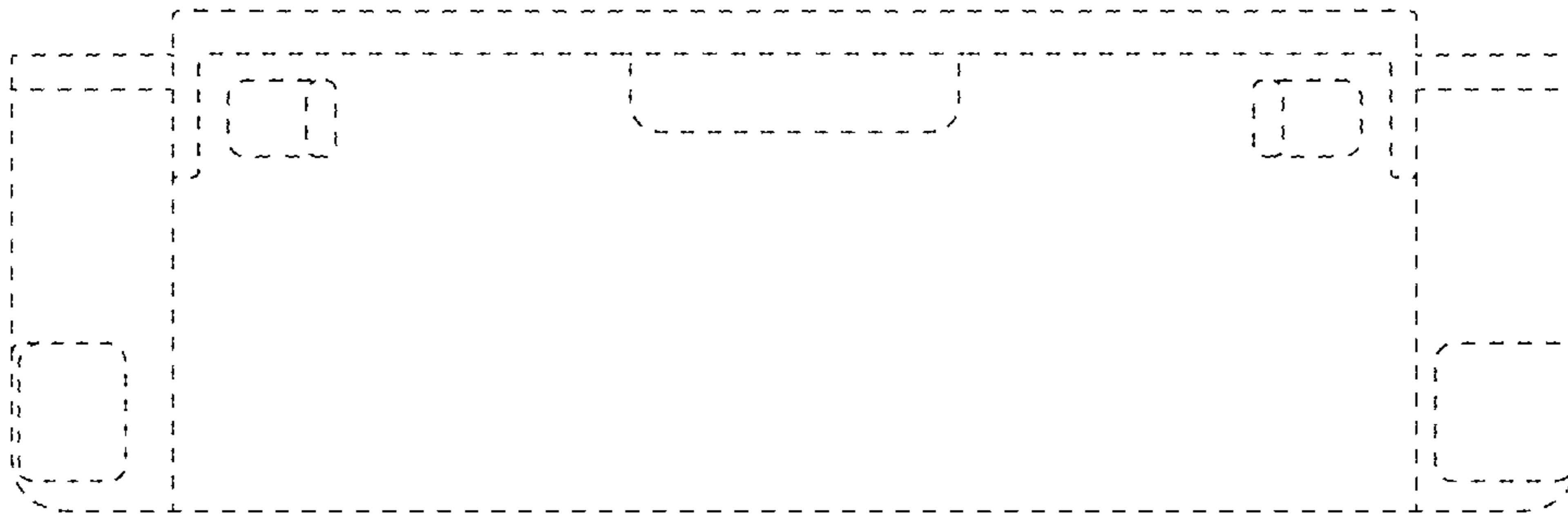


FIG. 5

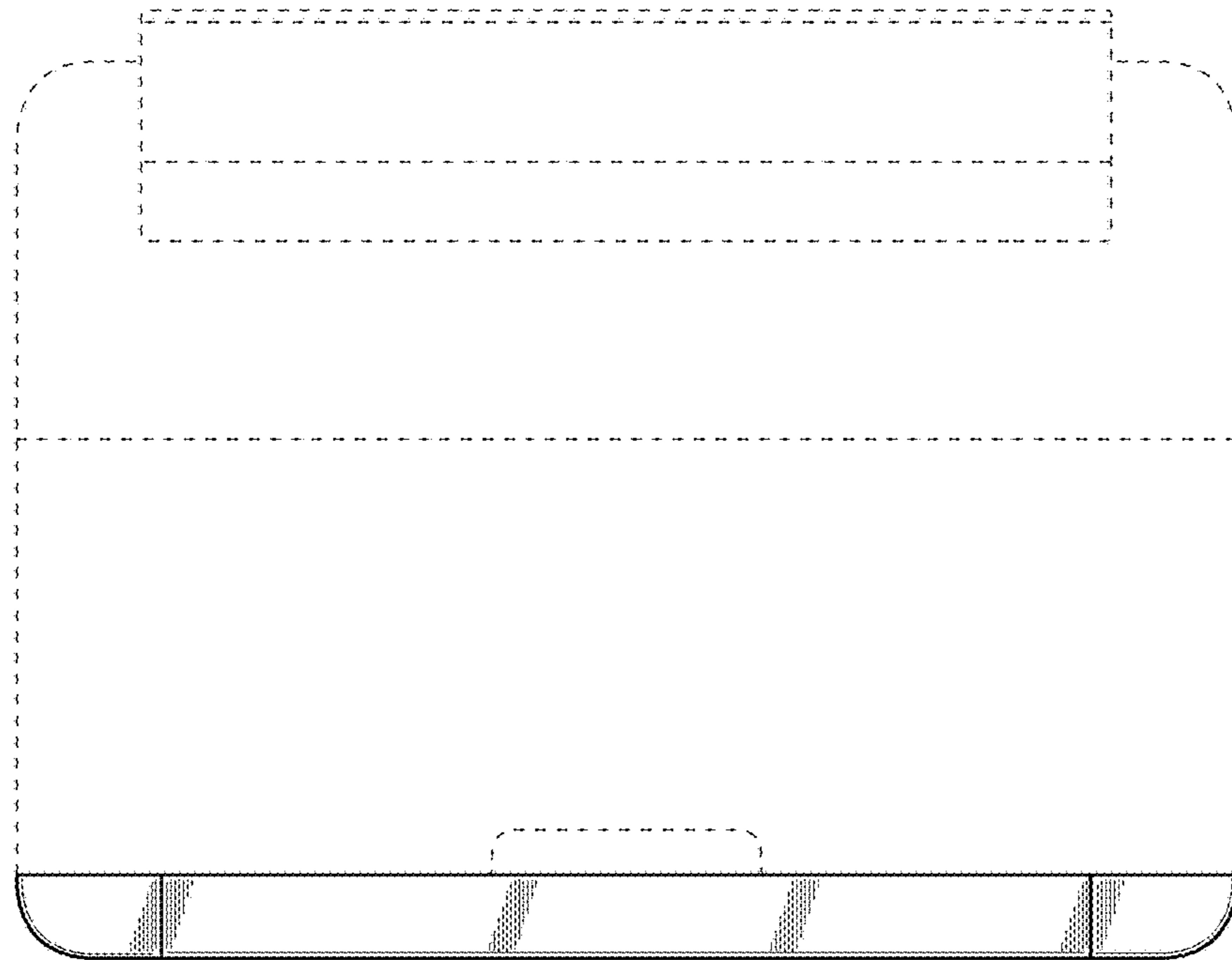


FIG. 6

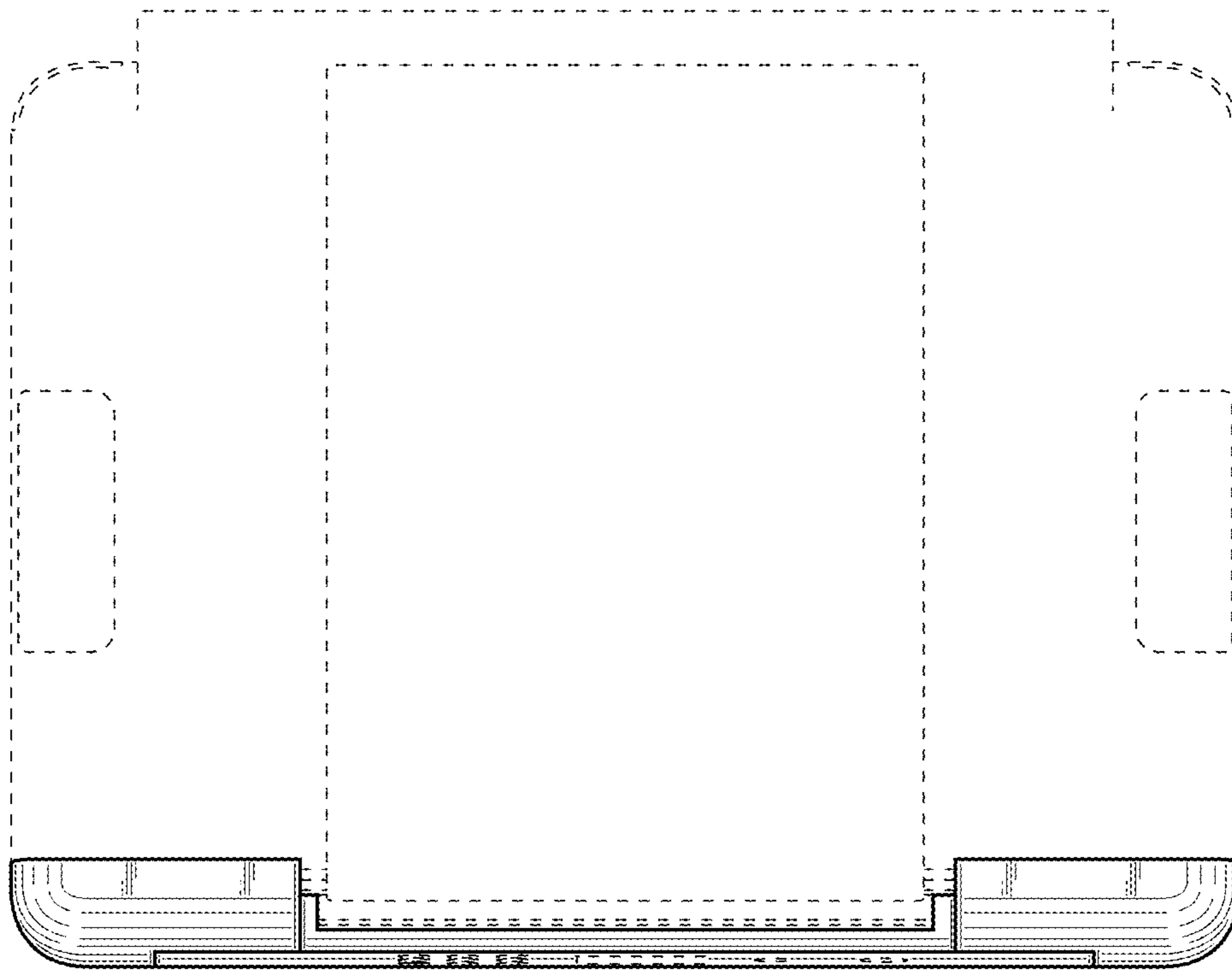


FIG. 7

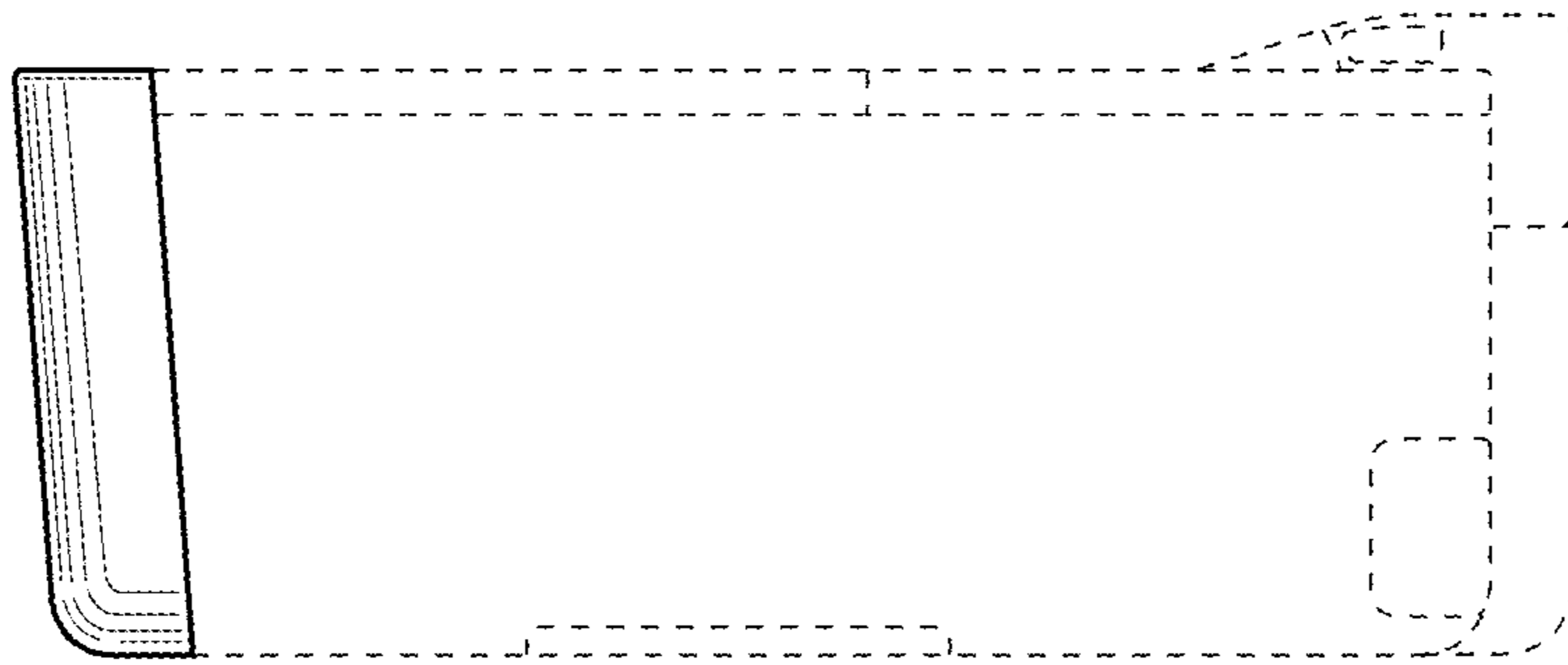


FIG. 8

