



US00D823939S

(12) **United States Design Patent**  
**Inada**

(10) **Patent No.:** **US D823,939 S**

(45) **Date of Patent:** **\*\* Jul. 24, 2018**

(54) **PRINTER**

(71) Applicant: **BROTHER INDUSTRIES, LTD.**,  
Nagoya-shi, Aichi-ken (JP)

(72) Inventor: **Toshiya Inada**, Nagoya (JP)

(73) Assignee: **BROTHER INDUSTRIES, LTD.**,  
Nagoya (JP)

(\*\*) Term: **15 Years**

(21) Appl. No.: **29/579,348**

(22) Filed: **Sep. 29, 2016**

(30) **Foreign Application Priority Data**

Apr. 1, 2016 (JP) ..... 2016-007294

(51) **LOC (11) Cl.** ..... **18-02**

(52) **U.S. Cl.**  
USPC ..... **D18/50**

(58) **Field of Classification Search**  
USPC ..... D18/50, 55, 36-37, 39; 347/3  
CPC ..... B41J 11/58; B41J 15/12; B41J 15/042;  
G06K 15/12; G06K 15/14  
See application file for complete search history.

(56) **References Cited**

**U.S. PATENT DOCUMENTS**

D697,965 S \* 1/2014 Fukasawa ..... D18/55  
D749,169 S \* 2/2016 Kil ..... D18/55

D786,965 S \* 5/2017 Huang ..... D18/55  
D800,125 S \* 10/2017 Yin ..... D14/422  
D807,426 S \* 1/2018 Brown ..... D18/50  
D807,428 S \* 1/2018 Brown ..... D18/55  
D811,473 S \* 2/2018 Brown ..... D18/50  
D816,155 S \* 4/2018 Brown ..... D18/50  
2017/0217699 A1 \* 8/2017 Washino ..... B65H 1/30  
2017/0217702 A1 \* 8/2017 Ozeki ..... B65H 1/04

\* cited by examiner

*Primary Examiner* — Robin V Webster

*Assistant Examiner* — James C Thorn, Sr.

(74) *Attorney, Agent, or Firm* — Oliff PLC

(57) **CLAIM**

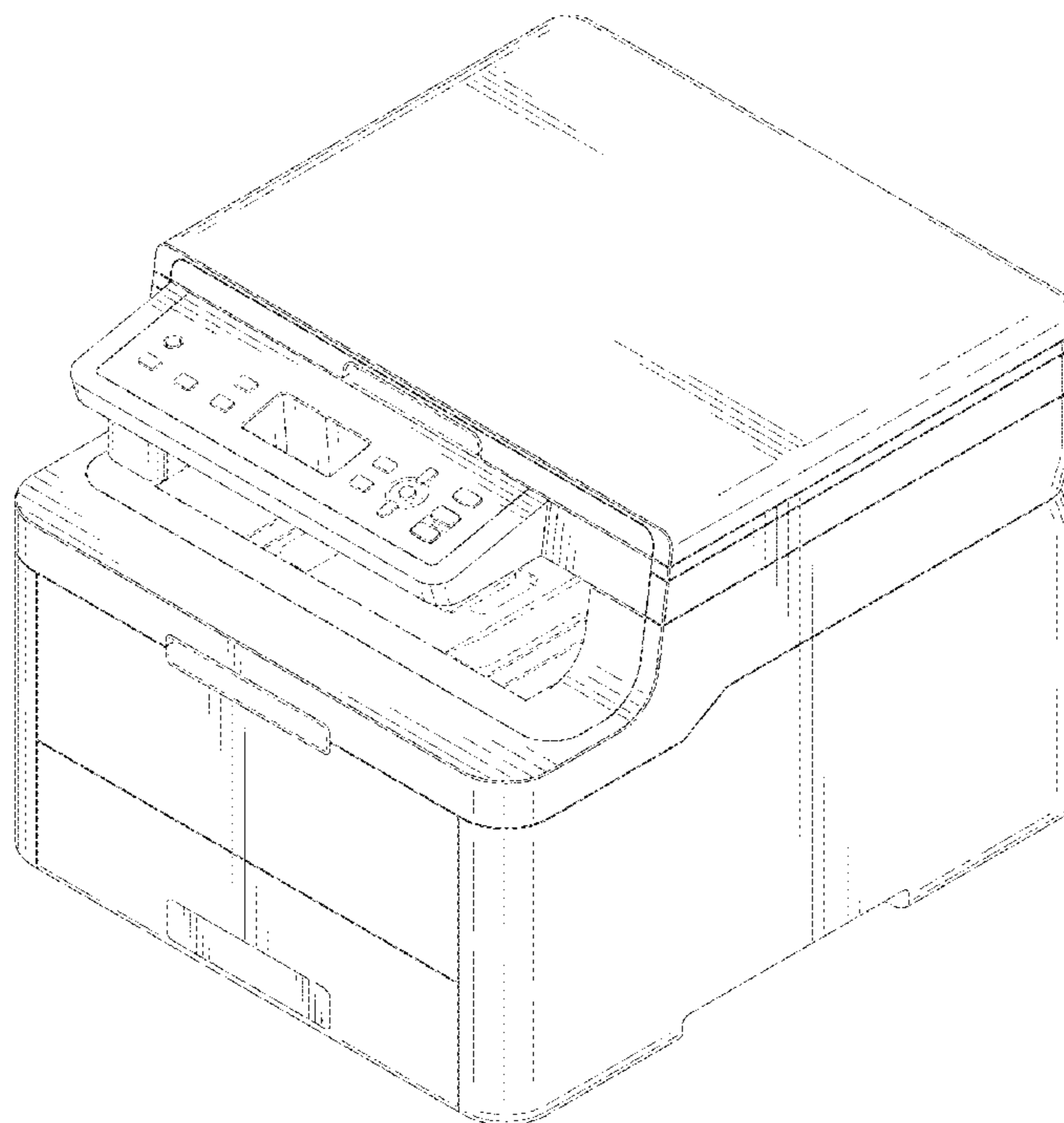
The ornamental design for a printer, as shown and described.

**DESCRIPTION**

FIG. 1 is a perspective view of a printer;  
FIG. 2 is a front view thereof;  
FIG. 3 is a top view thereof;  
FIG. 4 is a right-side view thereof;  
FIG. 5 is a left-side view thereof;  
FIG. 6 is a rear view thereof; and,  
FIG. 7 is a bottom view thereof.

The broken lines depict environmental subject matter only and form no part of the claimed design. The dot-dash chain lines depict a boundary of the claimed subject matter and form no part of the claimed design.

**1 Claim, 7 Drawing Sheets**



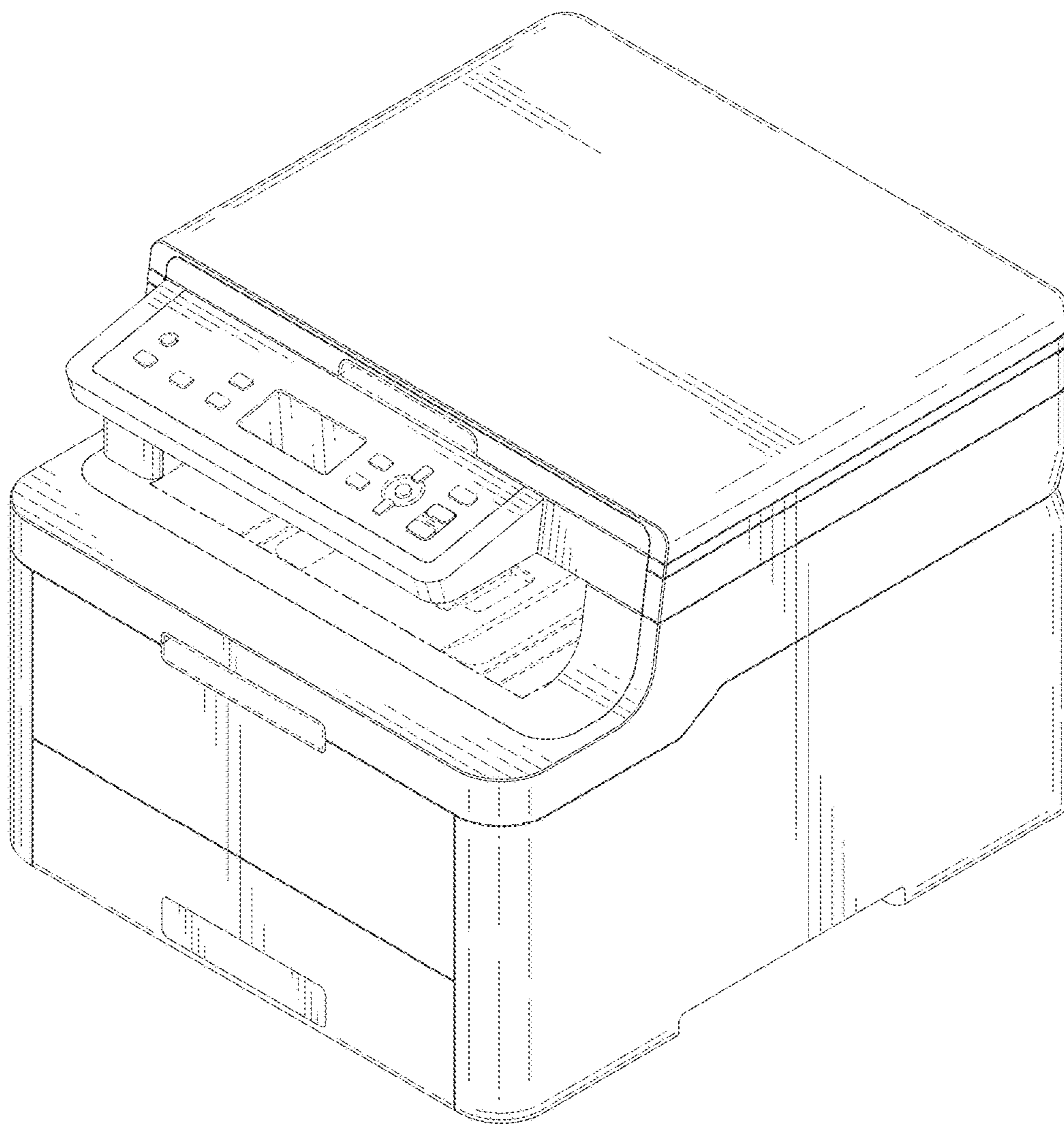


FIG. 1

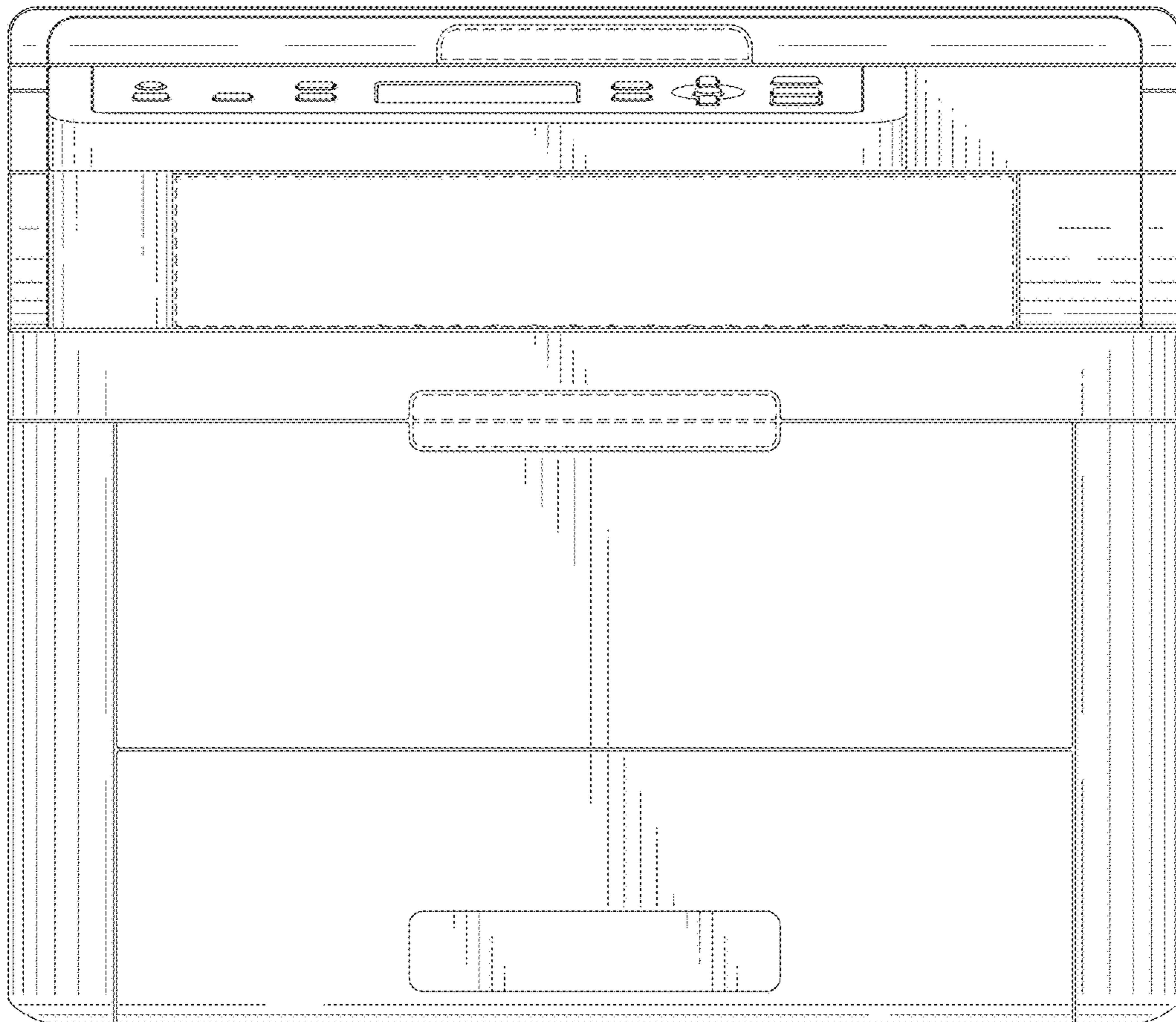


FIG. 2

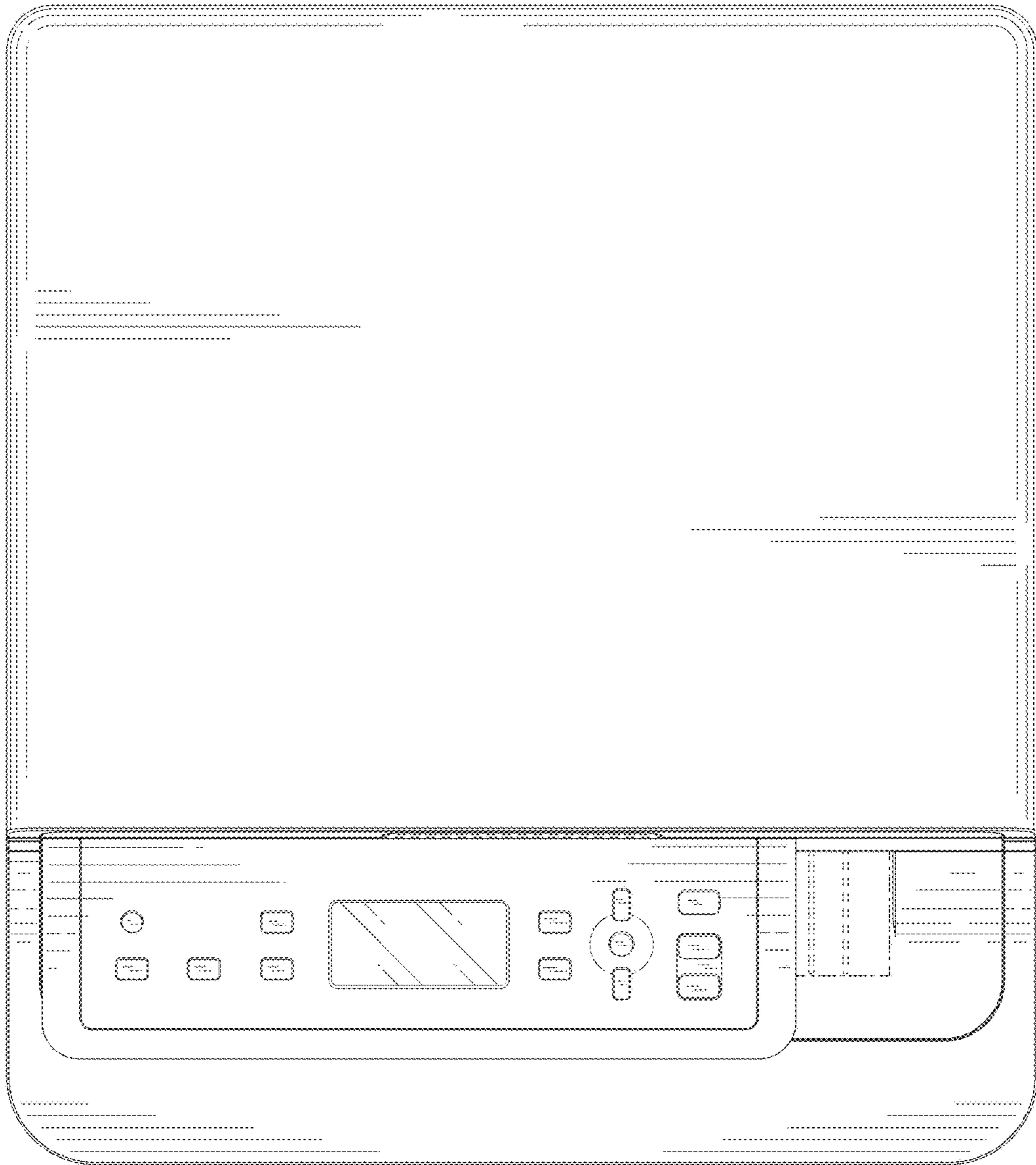


FIG. 3

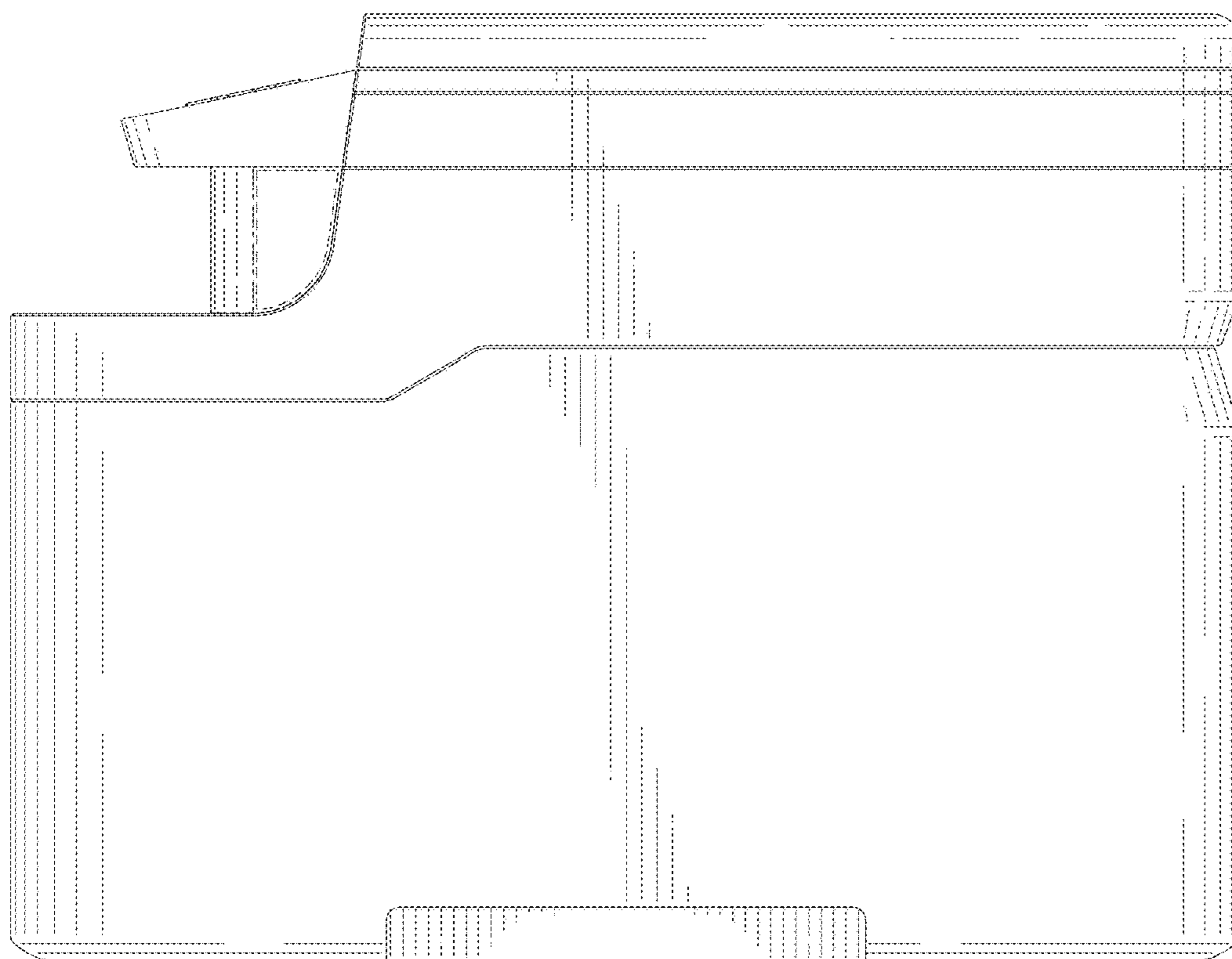


FIG. 4

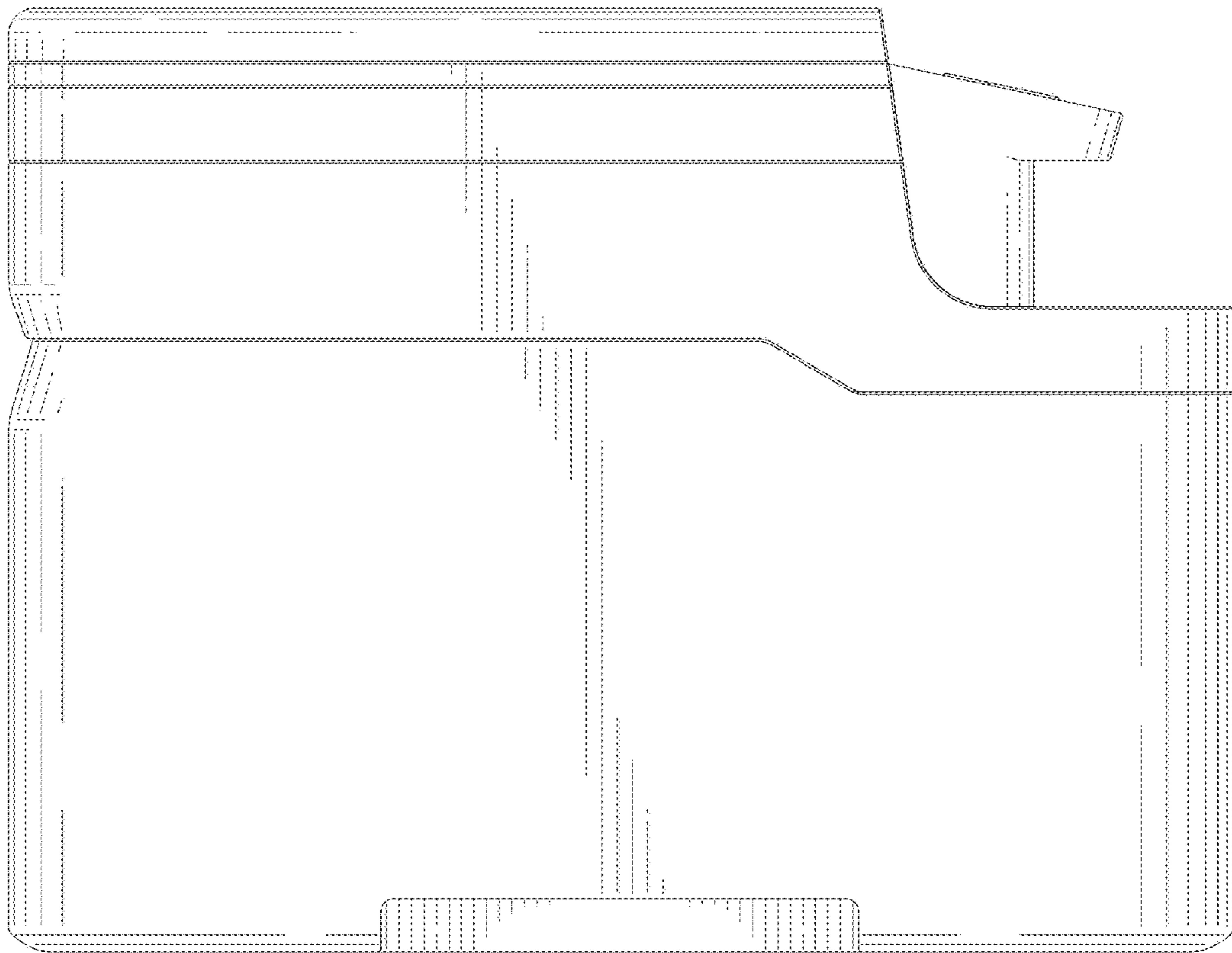


FIG. 5



FIG. 6

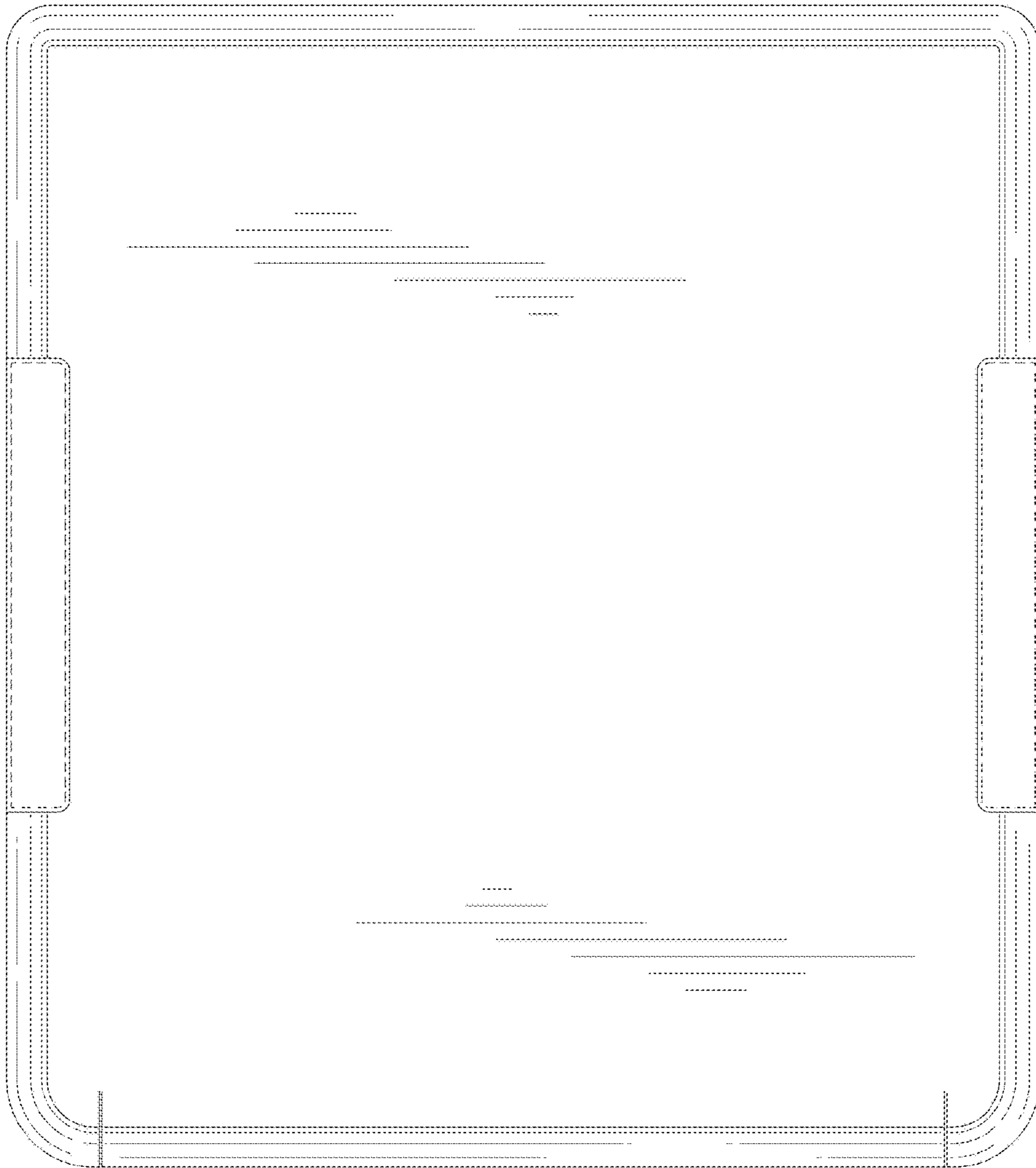


FIG. 7