



US00D823938S

(12) **United States Design Patent**  
**Uratani et al.**

(10) **Patent No.:** **US D823,938 S**  
(45) **Date of Patent:** **\*\* Jul. 24, 2018**

(54) **CARTRIDGE**

- (71) Applicant: **Canon Kabushiki Kaisha**, Ohta-ku, Tokyo (JP)
- (72) Inventors: **Shunsuke Uratani**, Mishima (JP); **Takeshi Arimitsu**, Odawara (JP); **Ryoji Kusudo**, Yokohama (JP); **Isao Koishi**, Yokohama (JP); **Yu Fukasawa**, Nagareyama (JP); **Shigemi Kamoshida**, Tokyo (JP); **Ryota Shibuya**, Yokohama (JP); **Shohei Katsuya**, Tokyo (JP); **Naoki Hayashi**, Kawasaki (JP)

(73) Assignee: **Canon Kabushiki Kaisha**, Tokyo (JP)

(\*\*) Term: **15 Years**

(21) Appl. No.: **29/552,142**

(22) Filed: **Jan. 20, 2016**

(30) **Foreign Application Priority Data**

Jul. 22, 2015 (JP) ..... 2015-016288  
 Jul. 22, 2015 (JP) ..... 2015-016289

(51) **LOC (11) Cl.** ..... **16-03**

(52) **U.S. Cl.**  
USPC ..... **D18/43**

(58) **Field of Classification Search**

USPC ..... D18/36, 37, 39, 40, 41, 44, 45, 46, 47,  
 D18/48, 49, 50, 51, 52, 53, 54, 55, 56;

(Continued)

(56) **References Cited**

**U.S. PATENT DOCUMENTS**

- 5,873,012 A \* 2/1999 Miyabe ..... G03G 21/1825  
399/111
- 5,966,568 A \* 10/1999 Numagami ..... G03G 21/1825  
222/DIG. 1

(Continued)

**OTHER PUBLICATIONS**

AM7850i Intelligent Copier, announced May 26, 2016 [online], [retrieved Sep. 28, 2016] Available from Internet, URL: <http://www.computex.biz/computextaipei/CompanyInterviewDetail.aspx?index=39275>.\*

(Continued)

*Primary Examiner* — Barbara Fox

*Assistant Examiner* — Mary C Ramirez

(74) *Attorney, Agent, or Firm* — Fitzpatrick, Cella, Harper & Scinto

(57) **CLAIM**

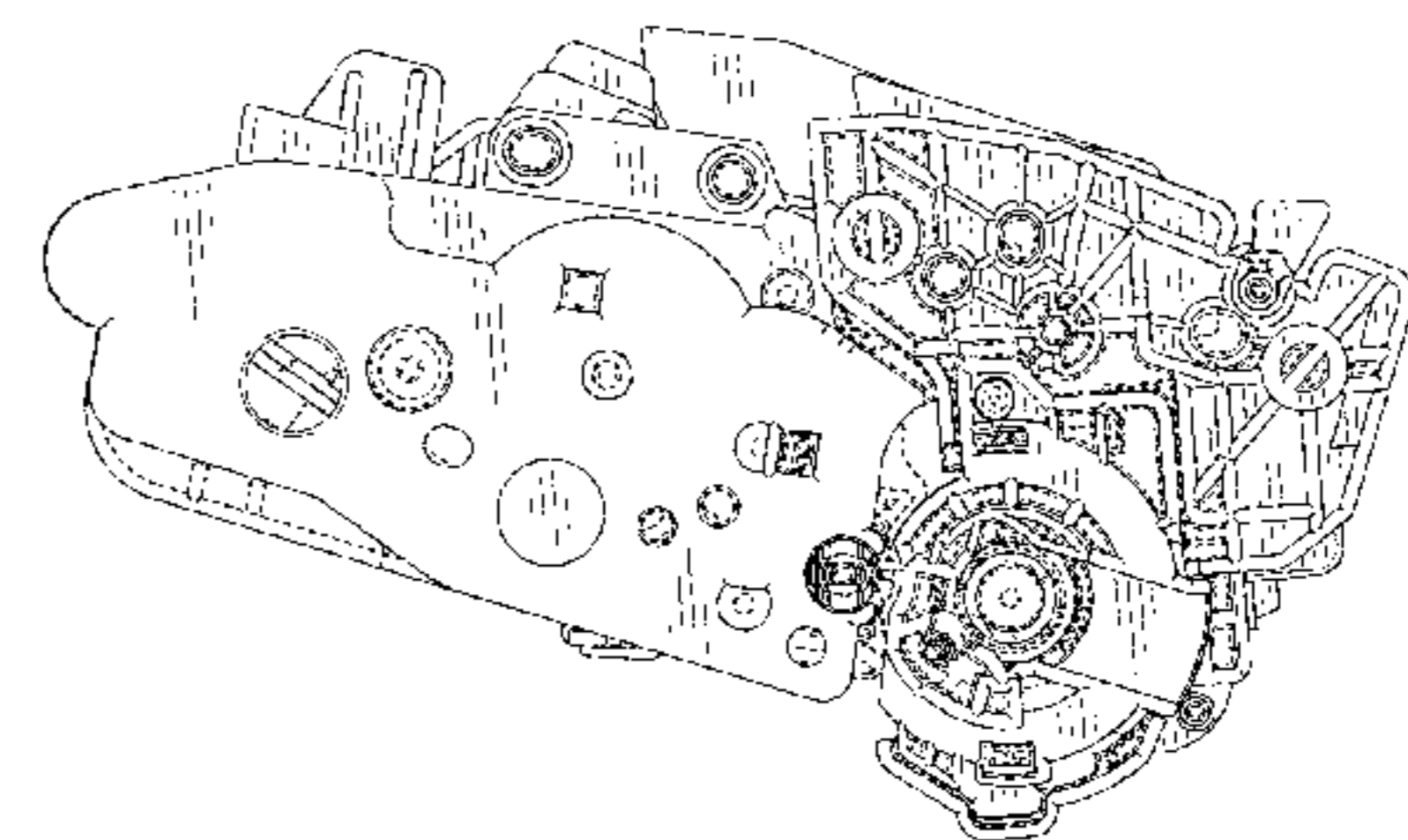
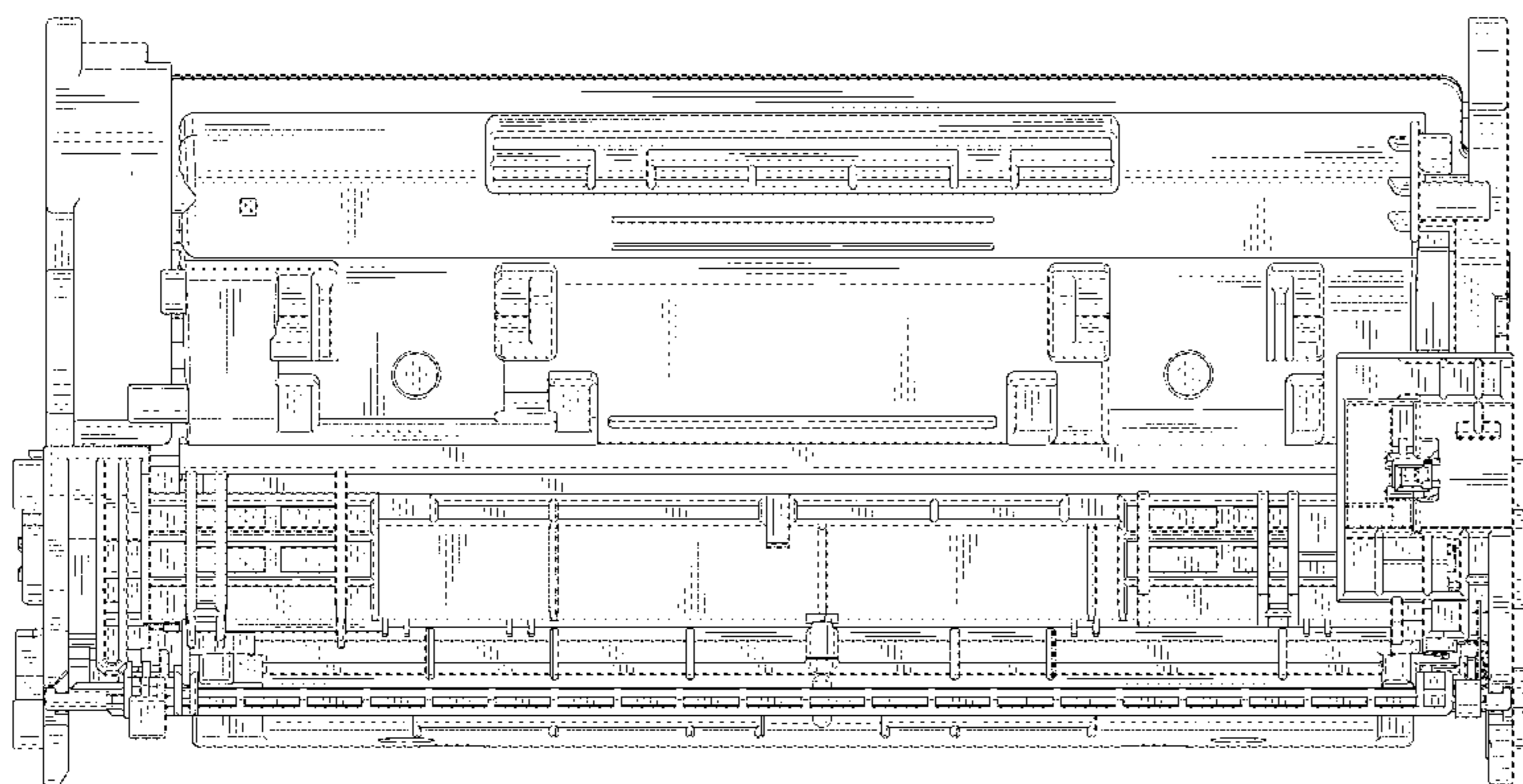
The ornamental design for a cartridge, as shown and described.

**DESCRIPTION**

FIG. 1 is a front view of a first embodiment of a cartridge; FIG. 2 is a rear view thereof; FIG. 3 is a top plan view thereof; FIG. 4 is a bottom plan view thereof; FIG. 5 is a left side view thereof; FIG. 6 is a right side view thereof; FIG. 7 is a front, top perspective view thereof; FIG. 8 is a rear, bottom perspective view thereof; FIG. 9 is a front view of a second embodiment of a cartridge; FIG. 10 is a rear view thereof; FIG. 11 is a top plan view thereof; FIG. 12 is a bottom plan view thereof; FIG. 13 is a left side view thereof; FIG. 14 is a right side view thereof; FIG. 15 is a front, top perspective view thereof; and, FIG. 16 is a rear, bottom perspective view thereof.

The broken lines shown in the drawings illustrate portions of the cartridge that form no part of the claimed design.

**1 Claim, 16 Drawing Sheets**



(58) **Field of Classification Search**

USPC ..... D14/462, 463, 464, 465, 466, 467, 468,  
 D14/469, 470, 471, 301, 307, 129, 130  
 CPC ..... B41J 3/00; B41J 3/28; B41J 3/445; B41J  
 3/46; B65H 11/00; B65H 11/002; B65H  
 2301/331; B65H 29/46; G03B 27/04;  
 G03B 27/08; G03B 27/14; G03B 27/16;  
 G03G 15/00; G03G 15/04; G03G 15/23;  
 G03G 15/28; G03G 15/50; G03G 15/55;  
 G03G 15/60; G03G 15/65; G03G 15/221;  
 G03G 15/5075; G03G 15/6558; G03G  
 15/0832; G03G 15/0834; G03G 15/0836;  
 G03G 15/0837; G03G 15/0877; G03G  
 15/0867; G03G 15/0868; G03G 15/0872;  
 G03G 15/0898; G03G 15/5016; G03G  
 15/0841; G03G 21/1853; G03G 21/20;  
 G03G 21/18; G03G 21/08; G03G 21/16;  
 G03G 2221/1654; G03G 2221/183; G03G  
 2221/1684; G03G 2221/1645; G03F  
 7/70716; G06K 15/12; G06K 15/14;  
 H04N 1/00204; H04N 1/00249; H04N  
 1/00278; H04N 1/00602; H04N 1/00631

See application file for complete search history.

D477,631 S *	7/2003	Mori .....	D18/40
D478,615 S *	8/2003	Karakama .....	D18/40
D489,752 S *	5/2004	Yamaguchi .....	D18/40
D489,753 S	5/2004	Batori et al. ....	D18/40
D500,335 S *	12/2004	Karakama .....	D18/40
D508,074 S	8/2005	Batori et al. ....	D18/40
D519,150 S *	4/2006	Kojima .....	D18/40
D523,894 S *	6/2006	Ishii .....	D18/40
D524,359 S *	7/2006	Karakama .....	D18/40
D555,717 S *	11/2007	Batori .....	D18/43
D555,718 S *	11/2007	Miyabe .....	D18/43
D565,094 S *	3/2008	Sasaki .....	D18/43
D583,860 S *	12/2008	Kubota .....	D18/43
D585,482 S *	1/2009	Kubota .....	D18/43
D594,899 S *	6/2009	Ogasawara .....	D18/43
D614,691 S *	4/2010	Abe .....	D18/43
D622,308 S	8/2010	Kubota et al. ....	D18/43
D622,309 S *	8/2010	Kubota .....	D18/43
D631,088 S *	1/2011	Chadani .....	D18/43
D631,089 S *	1/2011	Chadani .....	D18/43
D631,090 S *	1/2011	Chadani .....	D18/43
D632,731 S *	2/2011	Abe .....	D18/43
D694,814 S *	12/2013	Fukamachi .....	D18/40
D724,139 S *	3/2015	Shimizu .....	D18/43
D728,014 S *	4/2015	Lee .....	D18/56

(56) **References Cited**

U.S. PATENT DOCUMENTS

6,070,028 A \* 5/2000 Odagawa ..... G03G 21/1832  
 399/104  
 D433,441 S \* 11/2000 Yonekawa ..... D18/43

OTHER PUBLICATIONS

S. Uratani, U.S. Appl. No. 29/552,146, filed Jan. 20, 2016.  
 S. Uratani, U.S. Appl. No. 29/552,153, filed Jan. 20, 2016.

\* cited by examiner

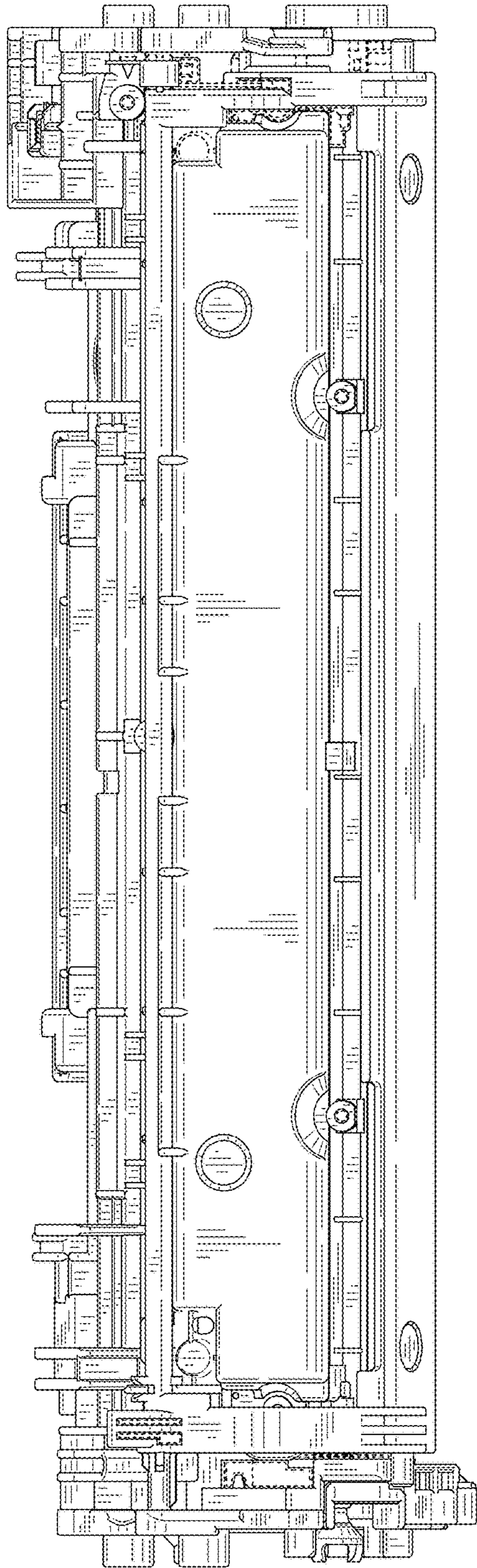


FIG. 1

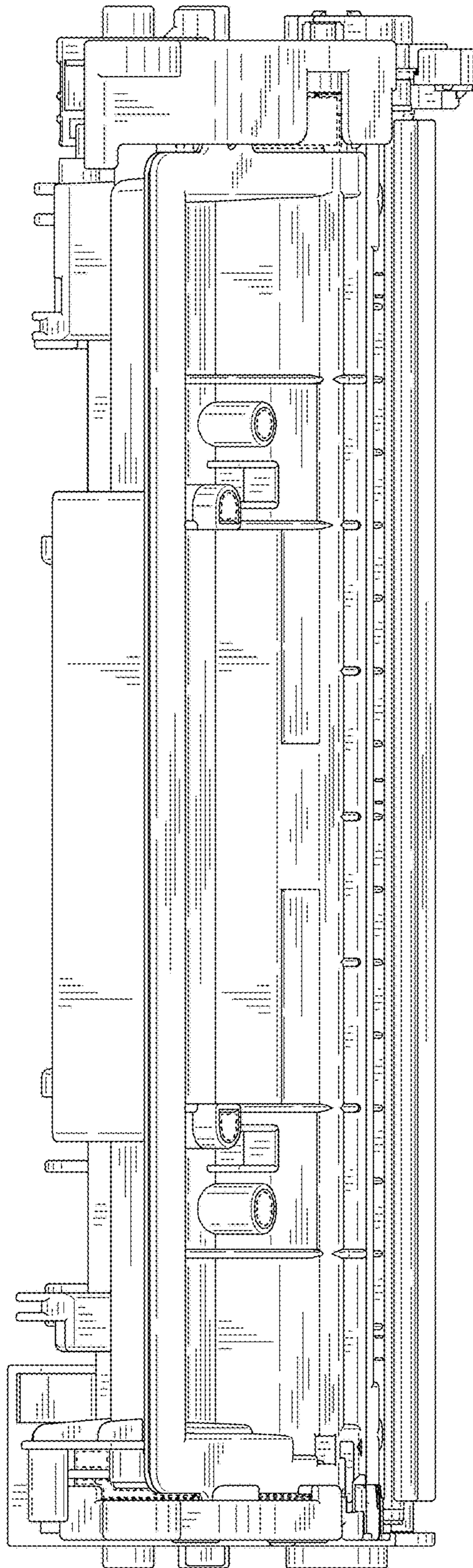


FIG. 2

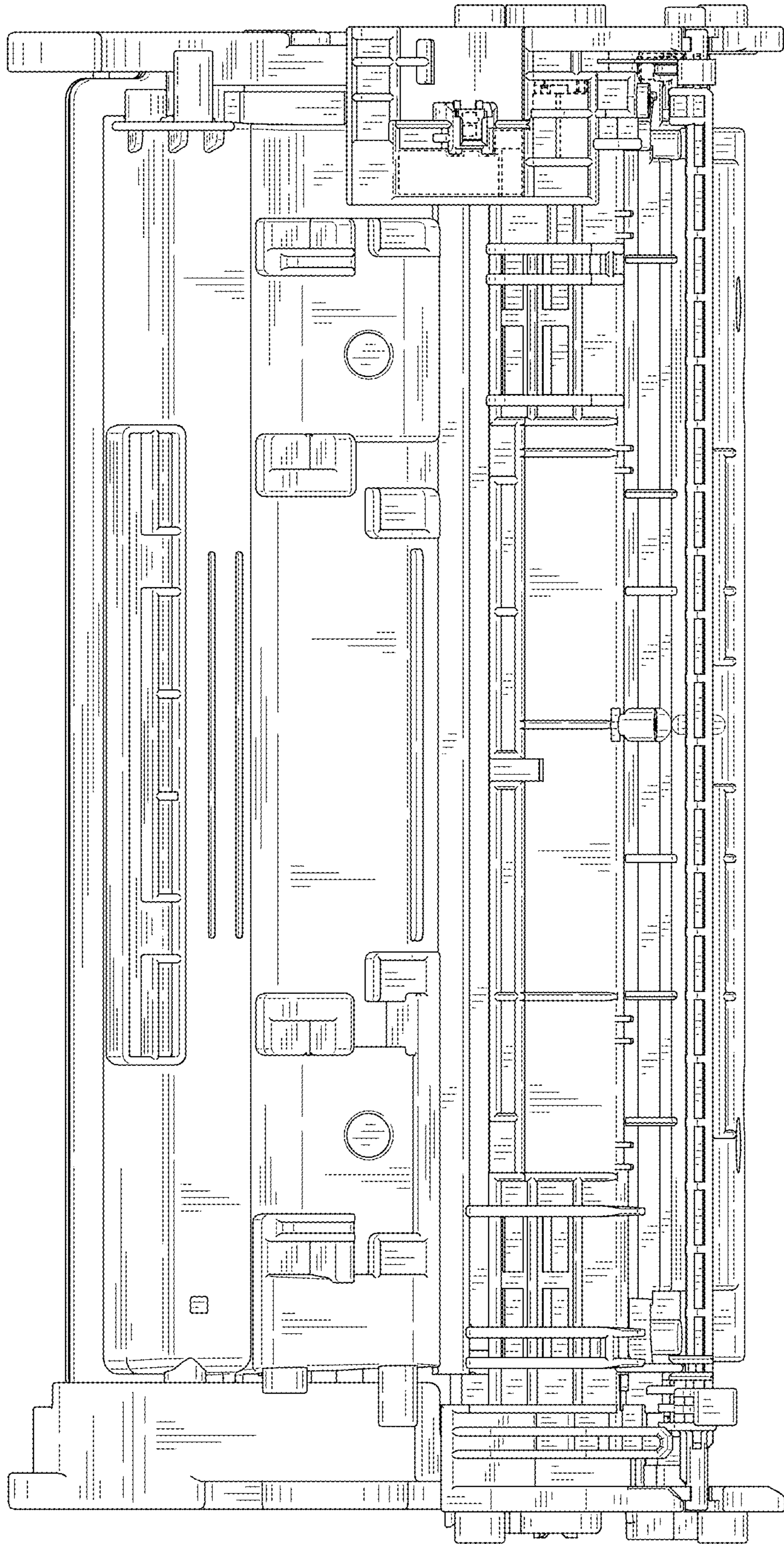


FIG. 3

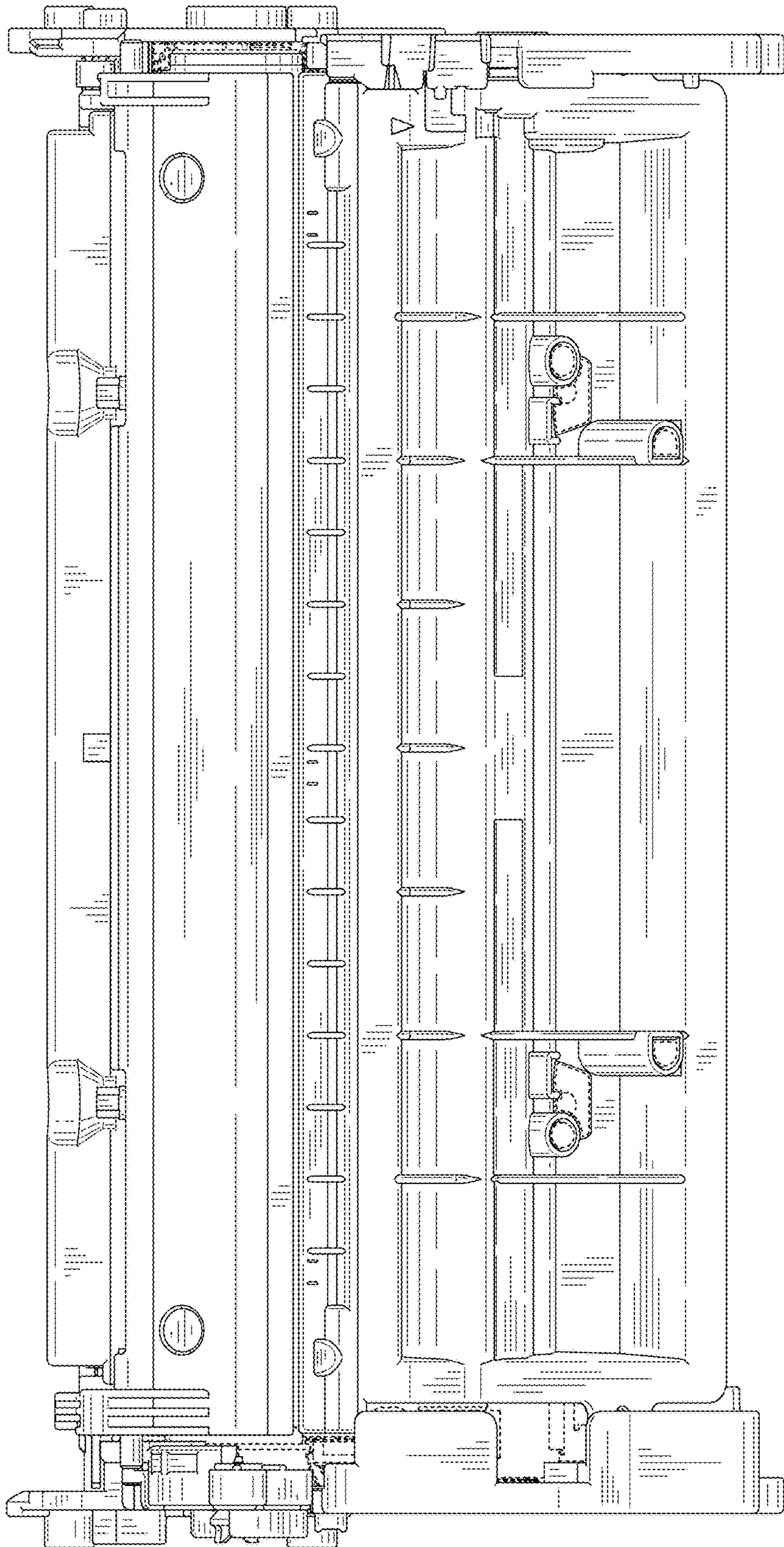


FIG. 4

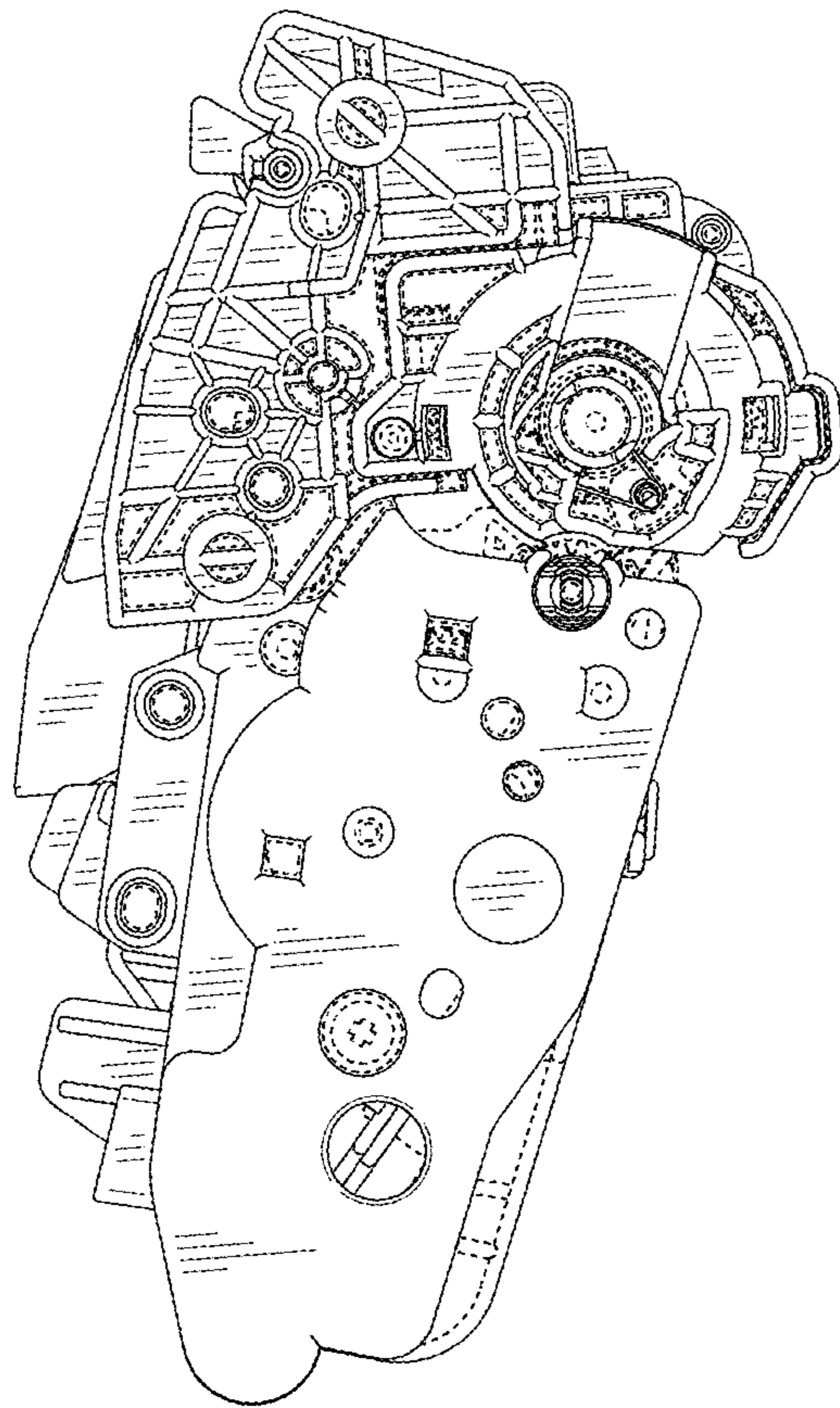


FIG. 5

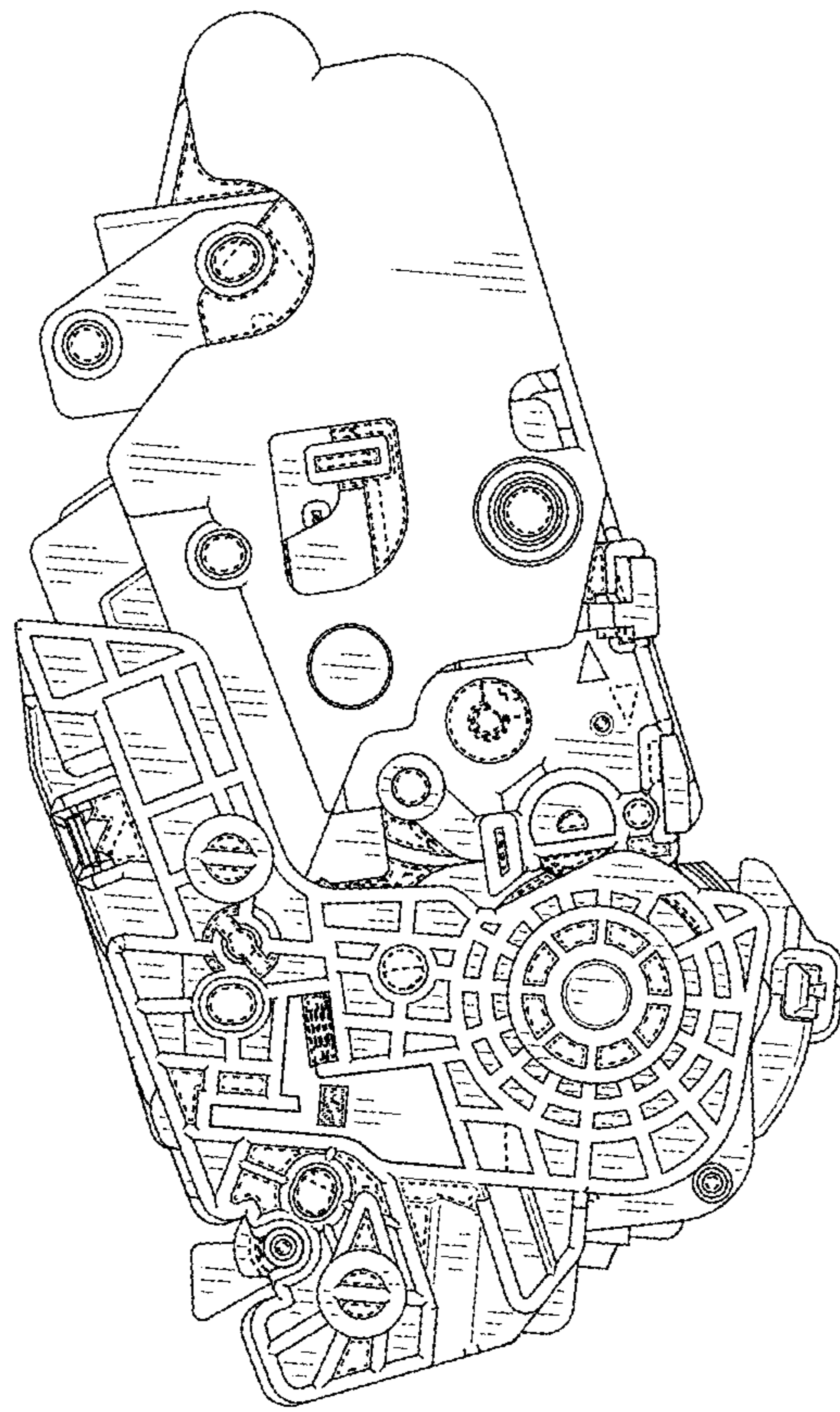


FIG. 6



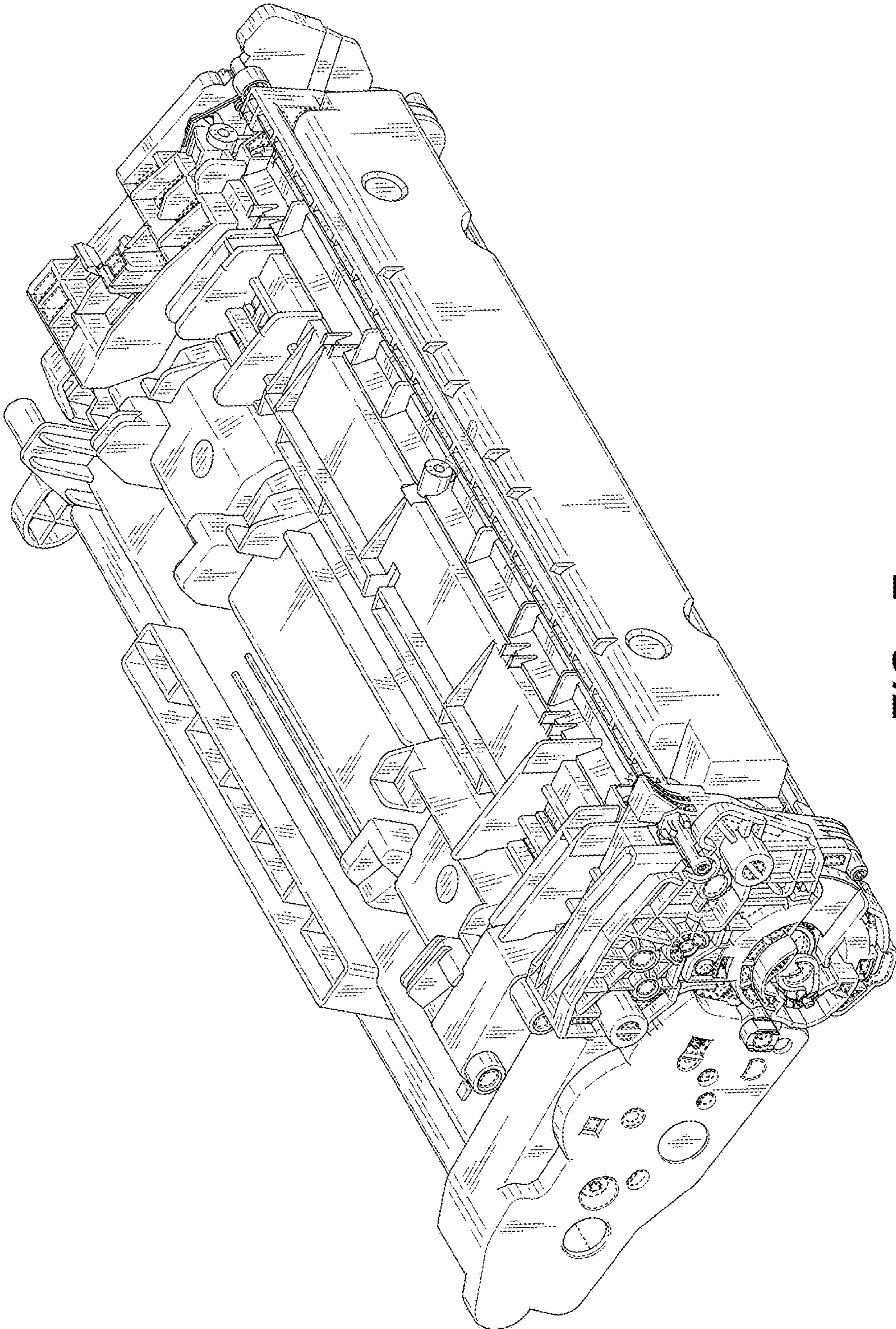


FIG. 7

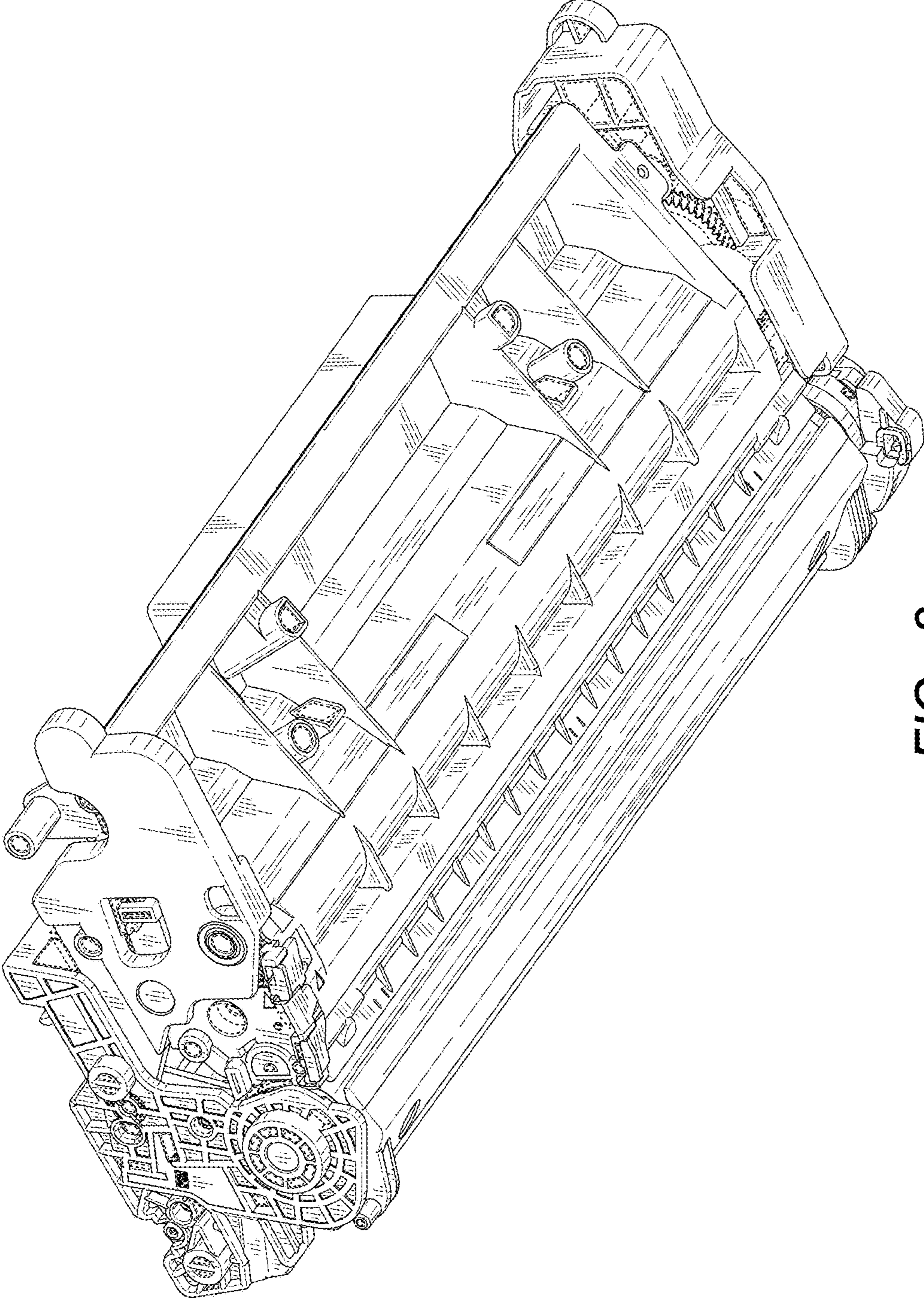


FIG. 8

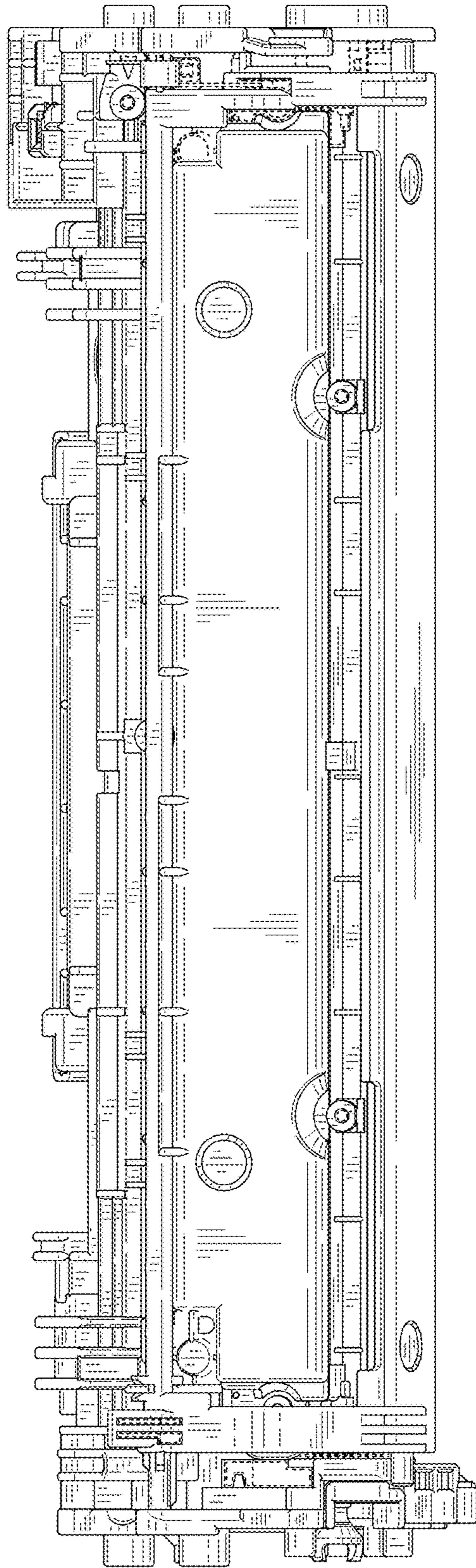


FIG. 9

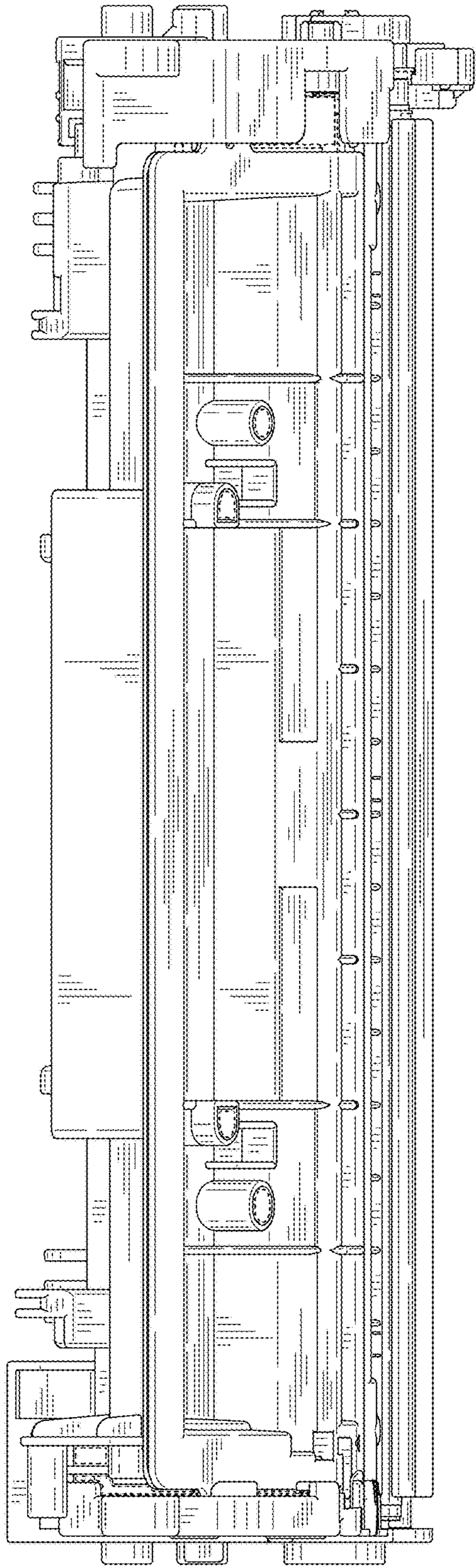


FIG. 10

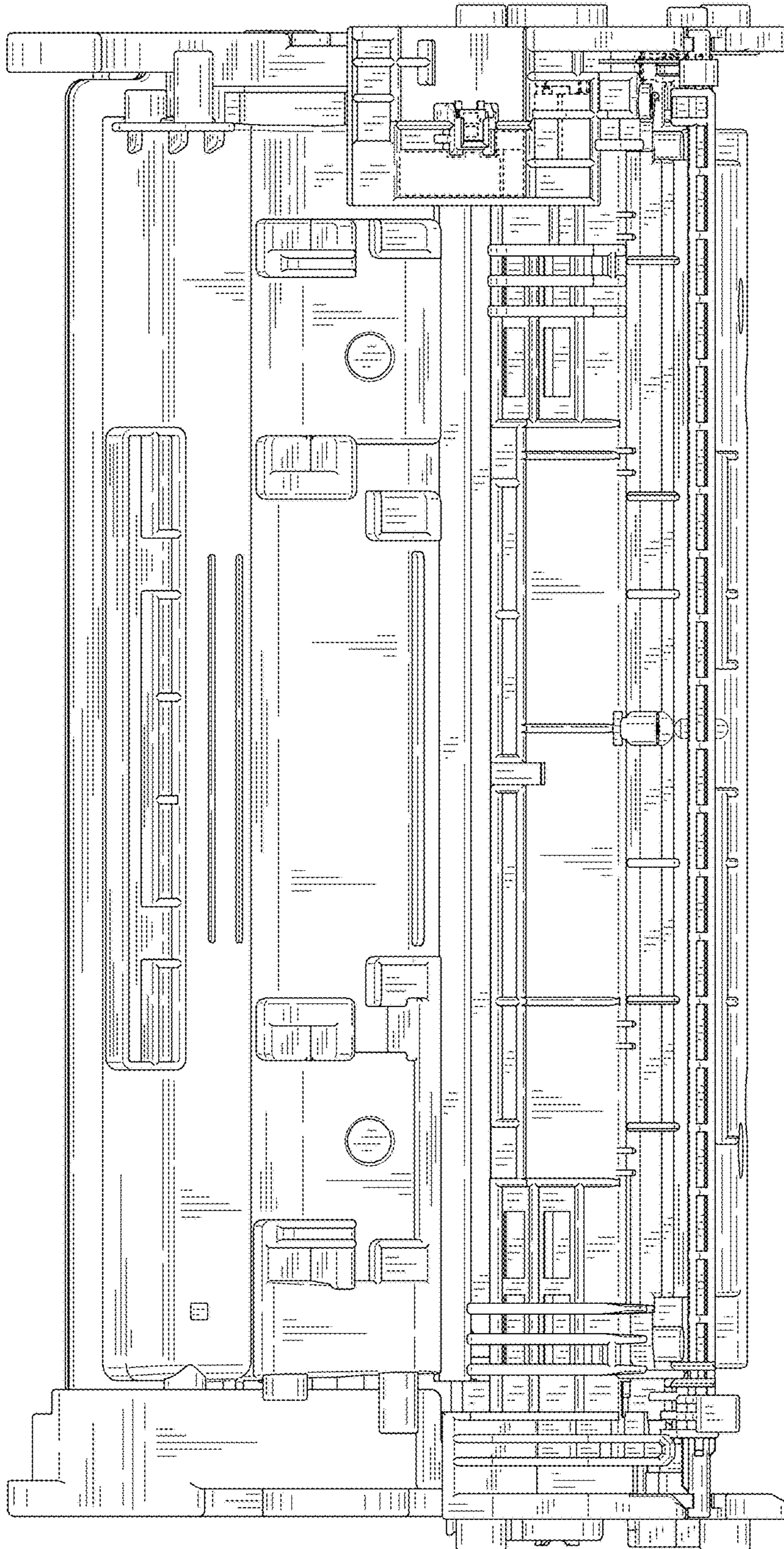


FIG. 11

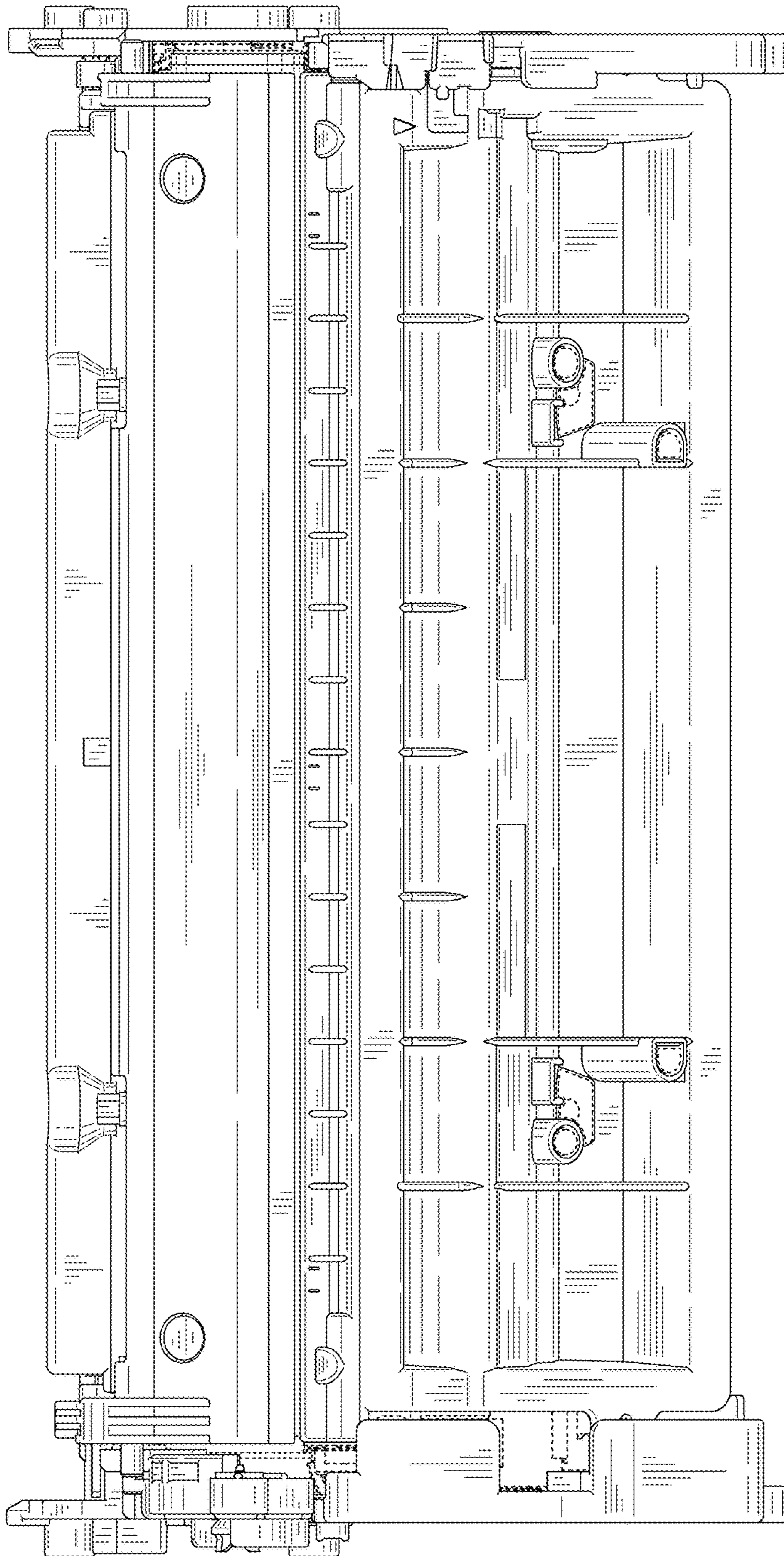


FIG. 12

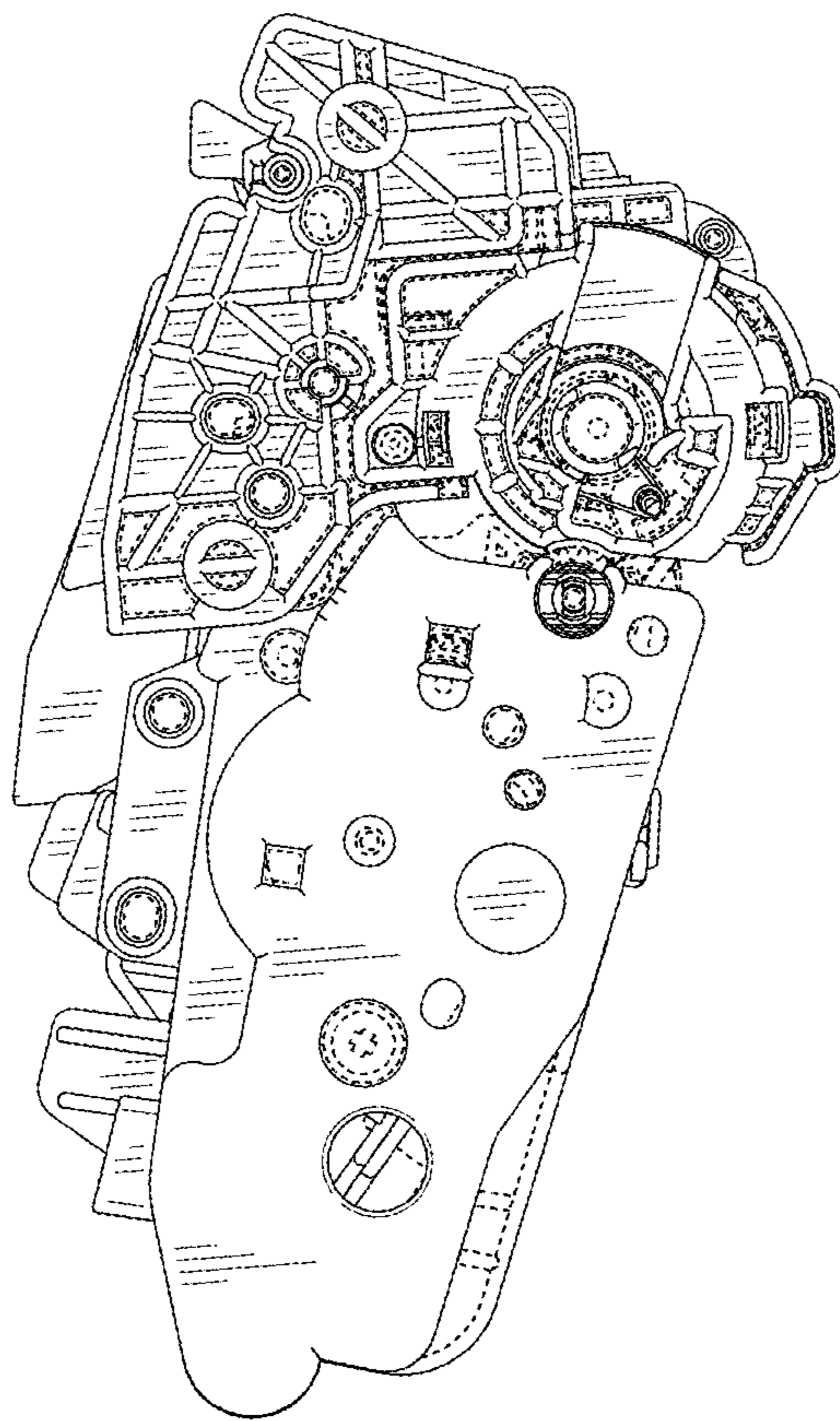


FIG. 13

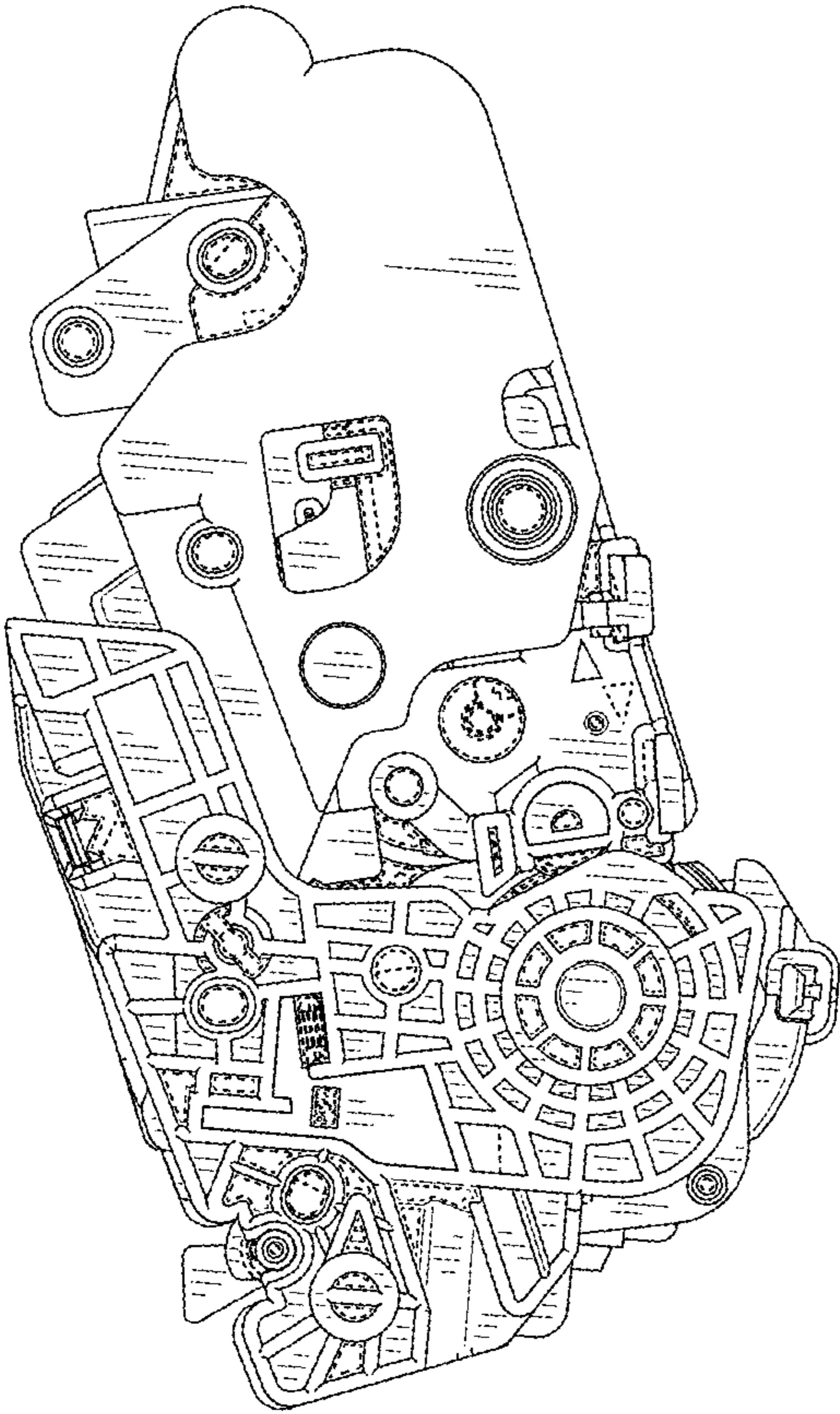


FIG. 14



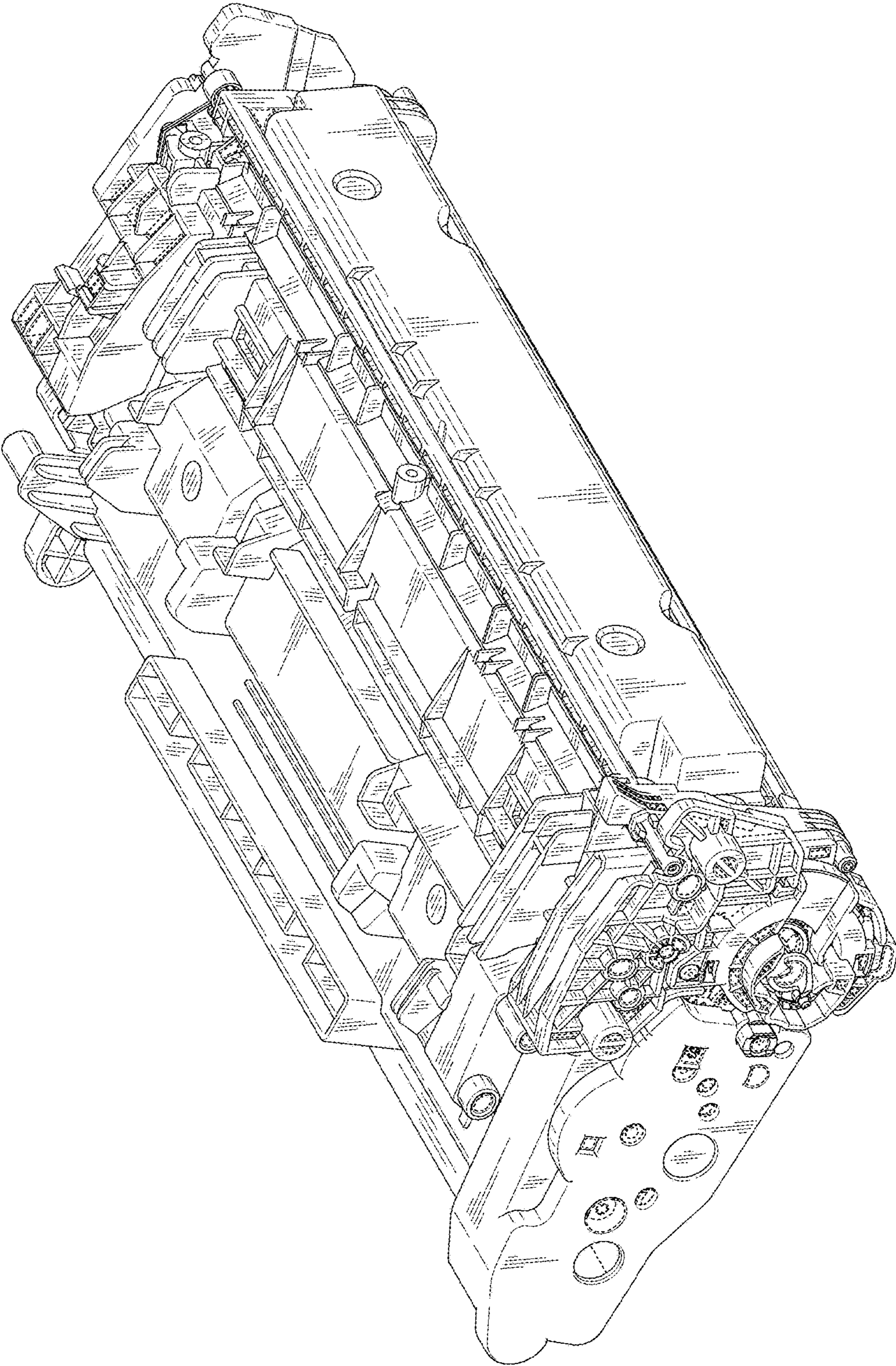


FIG. 15

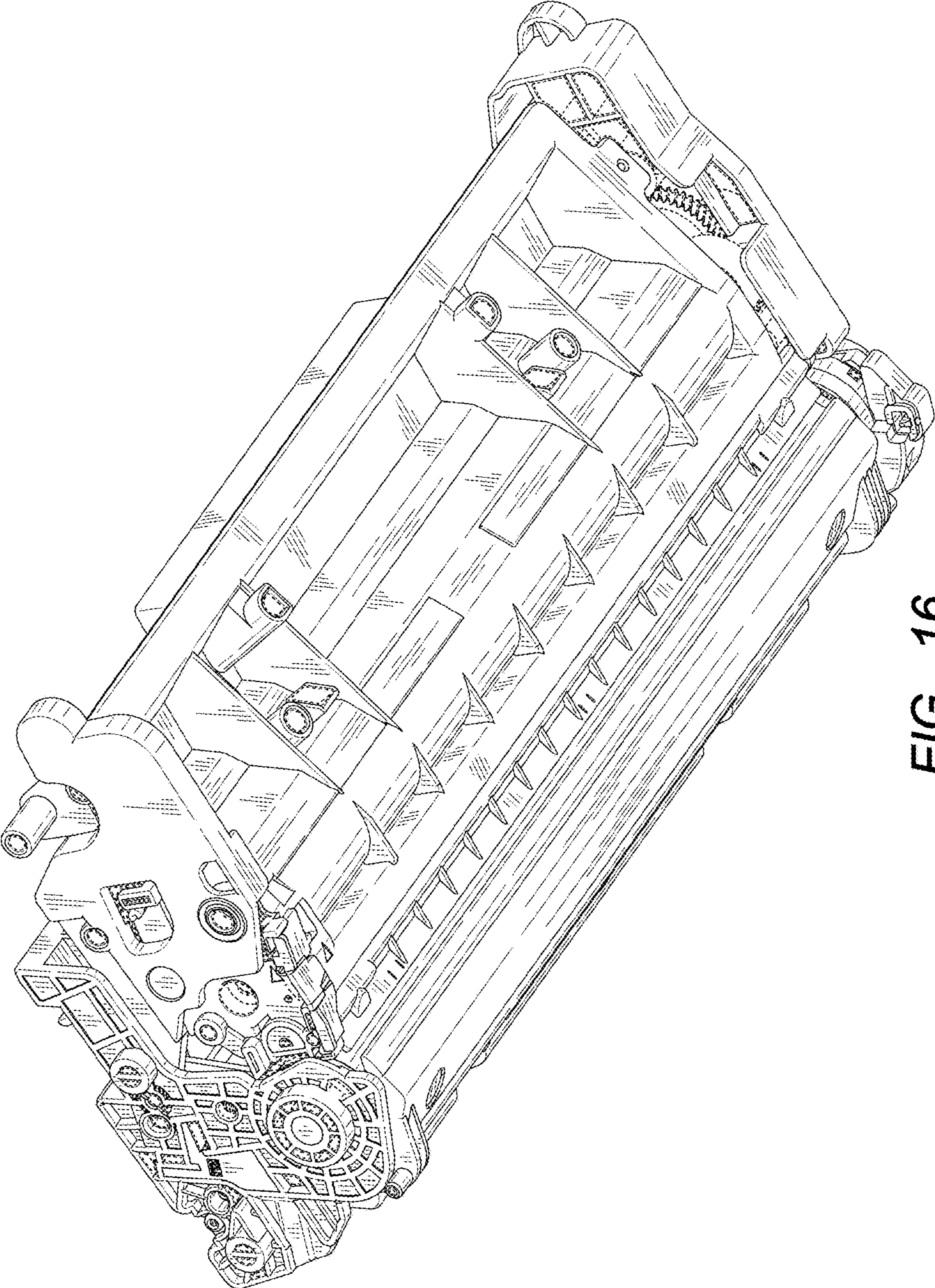


FIG. 16