



US00D823936S

(12) **United States Design Patent**  
**Nanno et al.**

(10) **Patent No.:** **US D823,936 S**  
(45) **Date of Patent:** **\*\* Jul. 24, 2018**

(54) **ELECTRONIC CUTTER**

- (71) Applicant: **BROTHER INDUSTRIES, LTD.**,  
Nagoya-shi, Aichi-ken (JP)
- (72) Inventors: **Ai Nanno**, Nagoya (JP); **Jiro Suzuki**,  
Kariya (JP)
- (73) Assignee: **BROTHER INDUSTRIES, LTD.**,  
Nagoya (JP)
- (\*\*) Term: **15 Years**
- (21) Appl. No.: **29/595,223**
- (22) Filed: **Feb. 27, 2017**
- (30) **Foreign Application Priority Data**

Sep. 7, 2016 (JP) ..... 2016-019301

(51) **LOC (11) Cl.** ..... **18-04**

(52) **U.S. Cl.**  
USPC ..... **D18/34.3**

(58) **Field of Classification Search**  
USPC ..... D18/34.1, 34.2, 34.3, 34.4, 34.5, 34.6,  
D18/34.7, 34.8, 34.9; D15/127  
CPC ..... B26D 2007/005; B26D 2007/0087; B26D  
2001/0053; B26D 1/025; B26D 1/035;  
B26D 1/045; B26D 1/065; B26D 1/08;  
B26D 1/085; B26D 1/10; B26D 1/105;  
B26D 1/125; B26D 1/147; B26D 1/1475;  
B26D 1/15; B26D 1/151; B26D 1/153;  
B26D 1/1535; B26D 1/185; B26D 1/305;  
B26D 1/34; B26D 1/345; B26D 1/36;  
B26D 1/365; B26D 1/38; B26D 1/385;  
B26D 1/56; B26D 1/565; B26D 1/58;  
B26D 1/585; B26D 5/083; B26D 7/015;  
B26D 7/025; B26D 7/22; B26D 1/0006;  
B26D

(Continued)

(56) **References Cited**

**U.S. PATENT DOCUMENTS**

D240,162 S \* 6/1976 Matwey ..... D18/36  
D466,552 S \* 12/2002 Hwang ..... D18/55

(Continued)

**FOREIGN PATENT DOCUMENTS**

JP D1462077 \* 2/2013  
JP D1462078 \* 2/2013  
JP D1569585 \* 2/2018

**OTHER PUBLICATIONS**

YouTube. <URL: [https://www.youtube.com/watch?v=\\_RVuua9Tlc](https://www.youtube.com/watch?v=_RVuua9Tlc)> Jul. 11, 2017. Brother DesignNCut Bundle with Embossing Kit.\*

*Primary Examiner* — Bridget L Eland  
*Assistant Examiner* — Lauren McVey  
(74) *Attorney, Agent, or Firm* — Oliff PLC

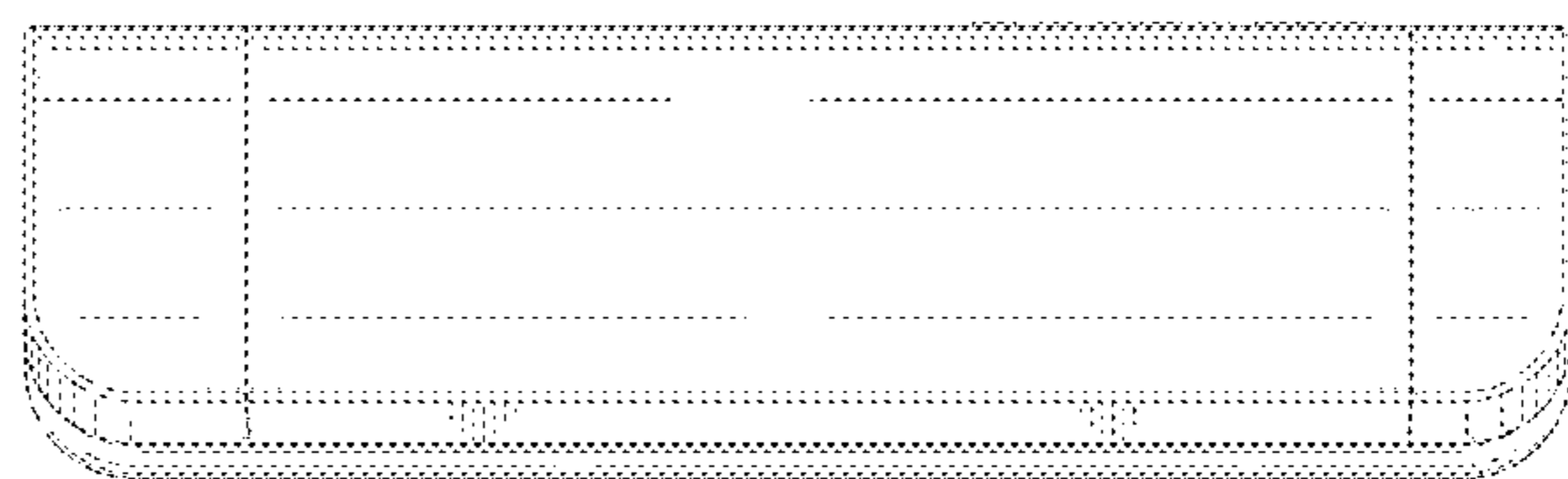
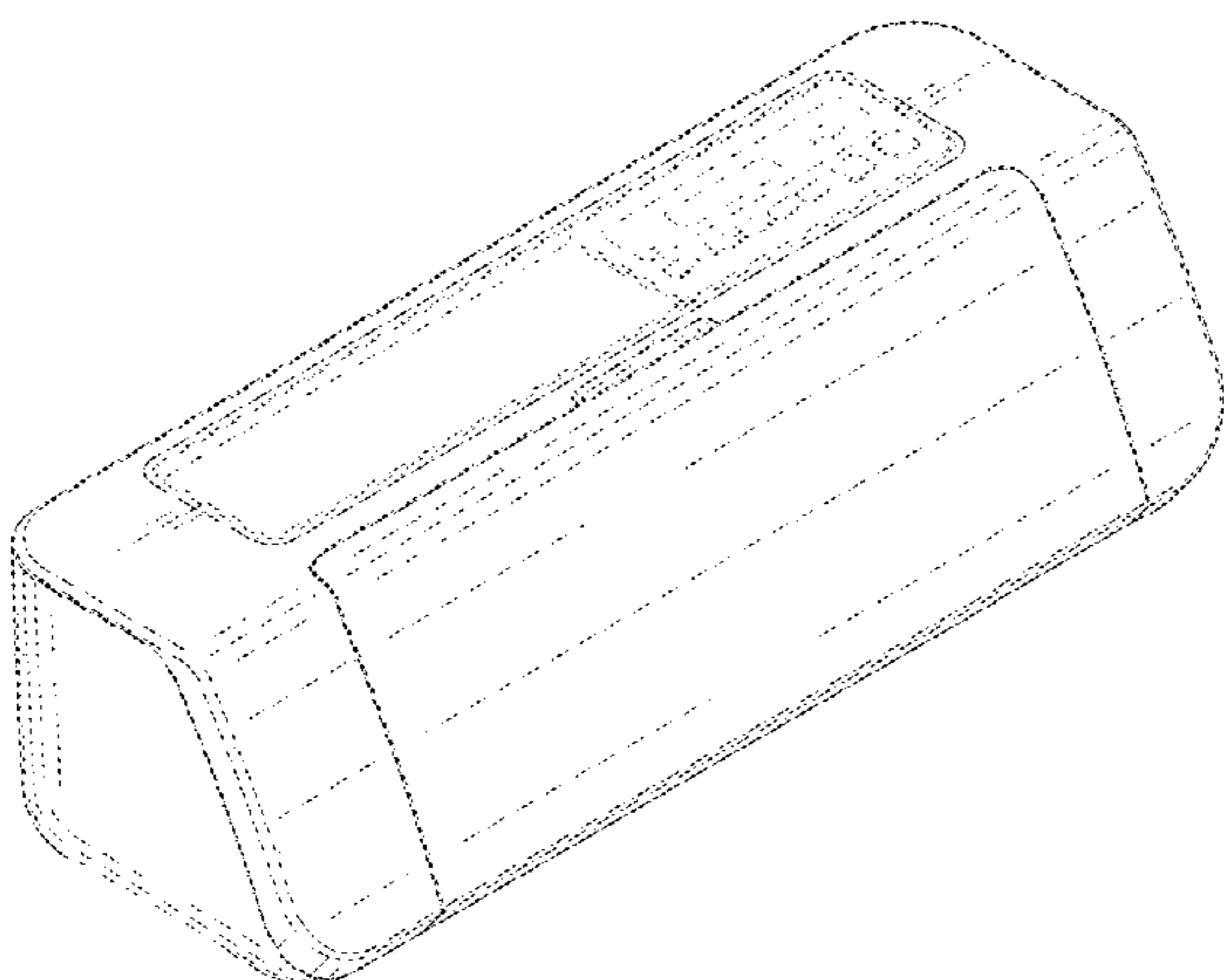
(57) **CLAIM**

The ornamental design for an electronic cutter, as shown and described.

**DESCRIPTION**

FIG. 1 is a perspective view of an electronic cutter, showing our new design;  
FIG. 2 is a front elevation view thereof;  
FIG. 3 is a top plan view thereof;  
FIG. 4 is a right-side elevation view thereof;  
FIG. 5 is a left-side elevation view thereof;  
FIG. 6 is a rear elevation view thereof;  
FIG. 7 is a bottom plan view thereof; and,  
FIG. 8 is a perspective view thereof in an open position in order to show aspects of the design not otherwise apparent. The broken lines immediately adjacent to the shaded areas represent the bounds of the claimed design, while all other broken lines are directed to environment. In addition, the unshaded surface that directly adjoins the solid line edge in FIGS. 6 and 8 forms no part of the claimed design. The broken lines form no part of the claimed design.

**1 Claim, 7 Drawing Sheets**



(58) **Field of Classification Search**

CPC ..... 5/16; B26D 7/2614; B23D 35/008; Y10T  
83/7763; Y10T 83/8822; Y10T 83/885;  
Y10T 83/8851; Y10T 83/7507; Y10T  
83/8874; Y10T 83/8814; Y10T 83/9493;  
Y10T 83/7533; Y10T 83/8821; Y10T  
83/828; Y10T 83/872; Y10T 83/8841;  
Y10S 83/955

See application file for complete search history.

(56) **References Cited**

U.S. PATENT DOCUMENTS

D483,059	S	*	12/2003	Goh	.....	D18/50
D497,940	S	*	11/2004	Hwang	.....	D18/50
D523,469	S	*	6/2006	Hwang	.....	D18/50
D533,897	S	*	12/2006	Workman	.....	D18/34.3
D534,204	S	*	12/2006	Workman	.....	D18/34.3
D543,583	S	*	5/2007	Workman	.....	D18/34.3
D656,180	S	*	3/2012	Corcoran	.....	D18/34.3
D680,157	S	*	4/2013	Umezawa	.....	D18/34.3
D696,339	S		12/2013	Hasui et al.		
D699,781	S	*	2/2014	Hasui	.....	D18/34.3
D720,395	S	*	12/2014	Umezawa	.....	D18/34.3
D795,338	S	*	8/2017	Umezawa	.....	D18/34.3

\* cited by examiner

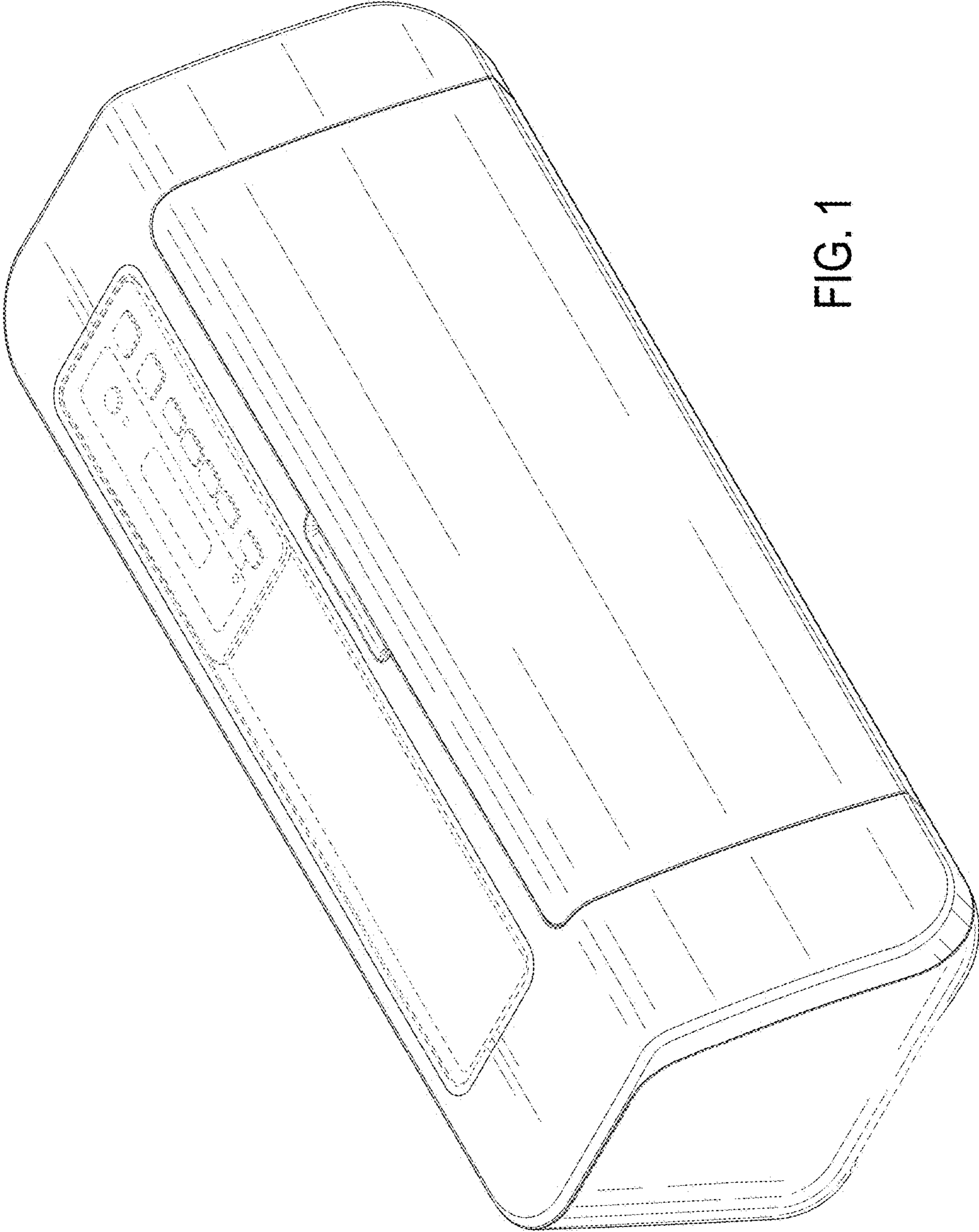


FIG. 1

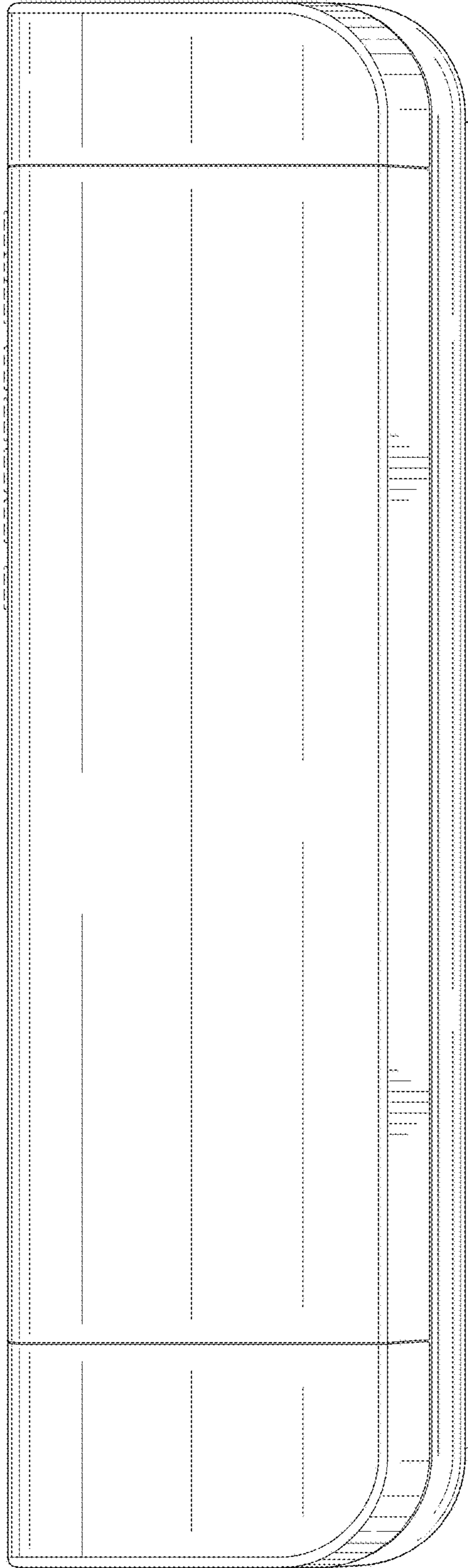


FIG. 2

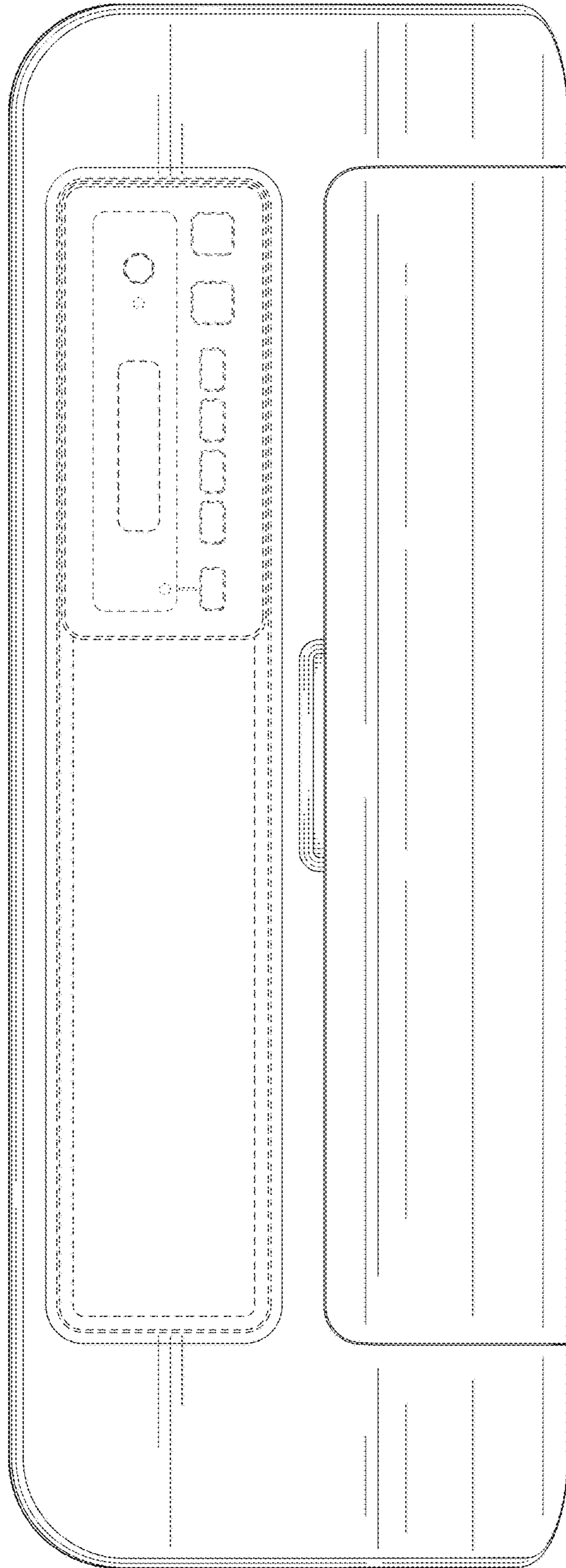


FIG. 3

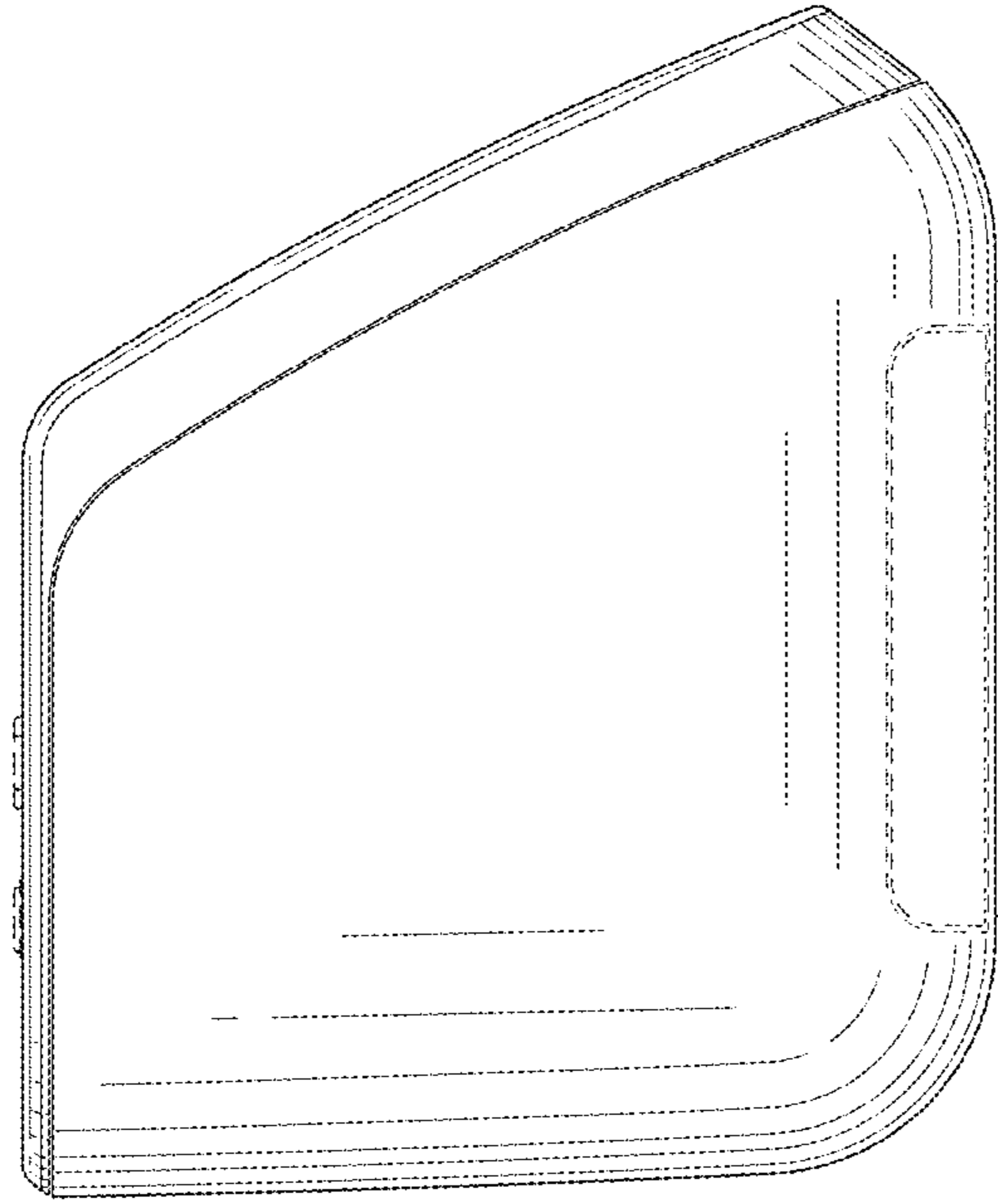


FIG. 5

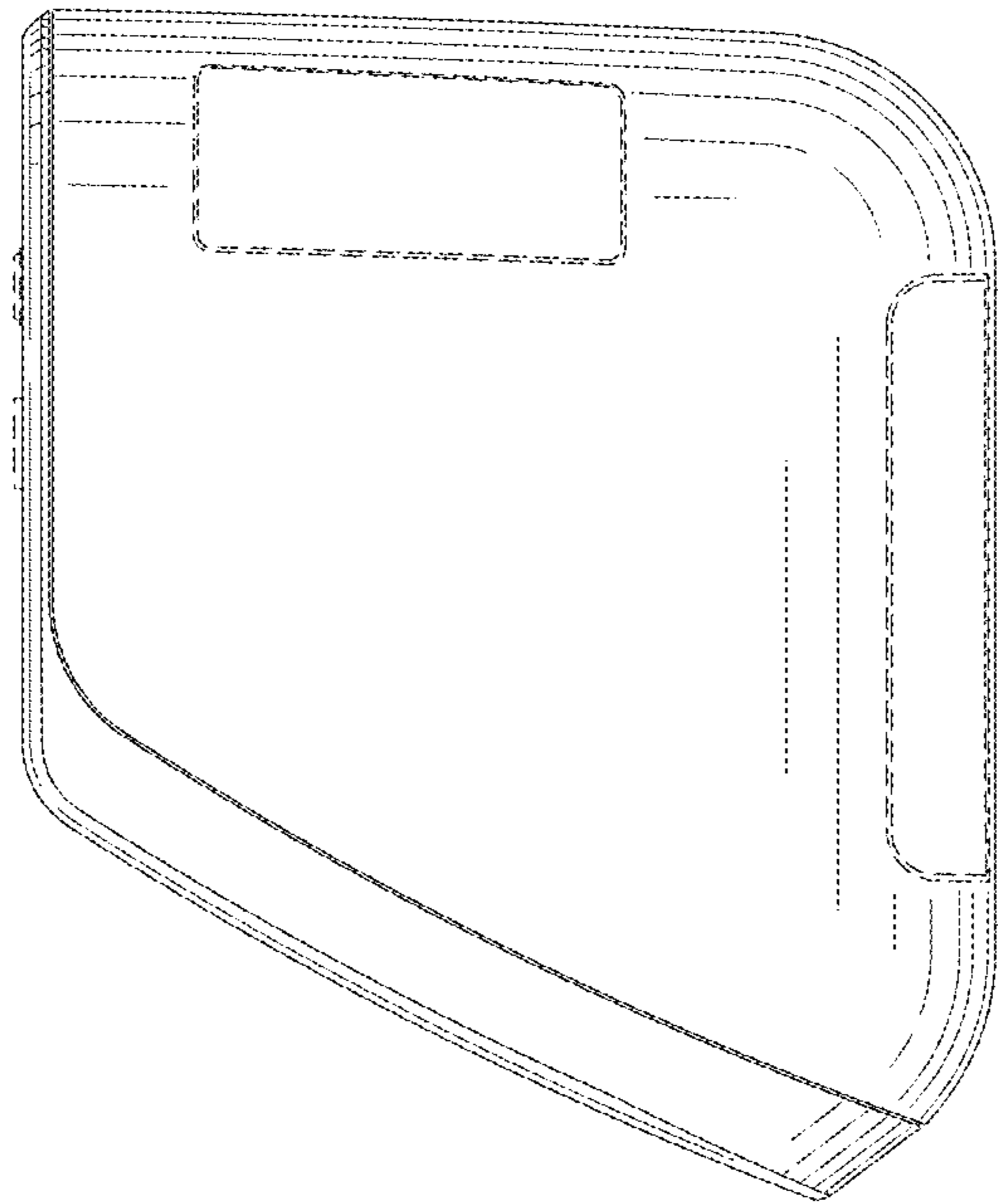


FIG. 4

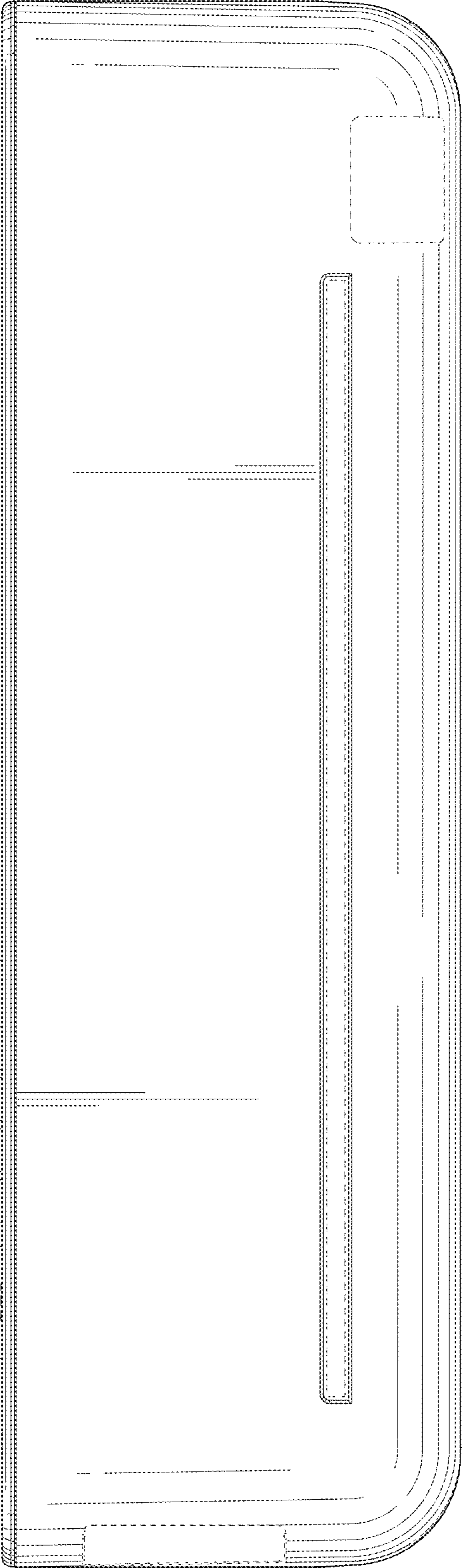


FIG. 6

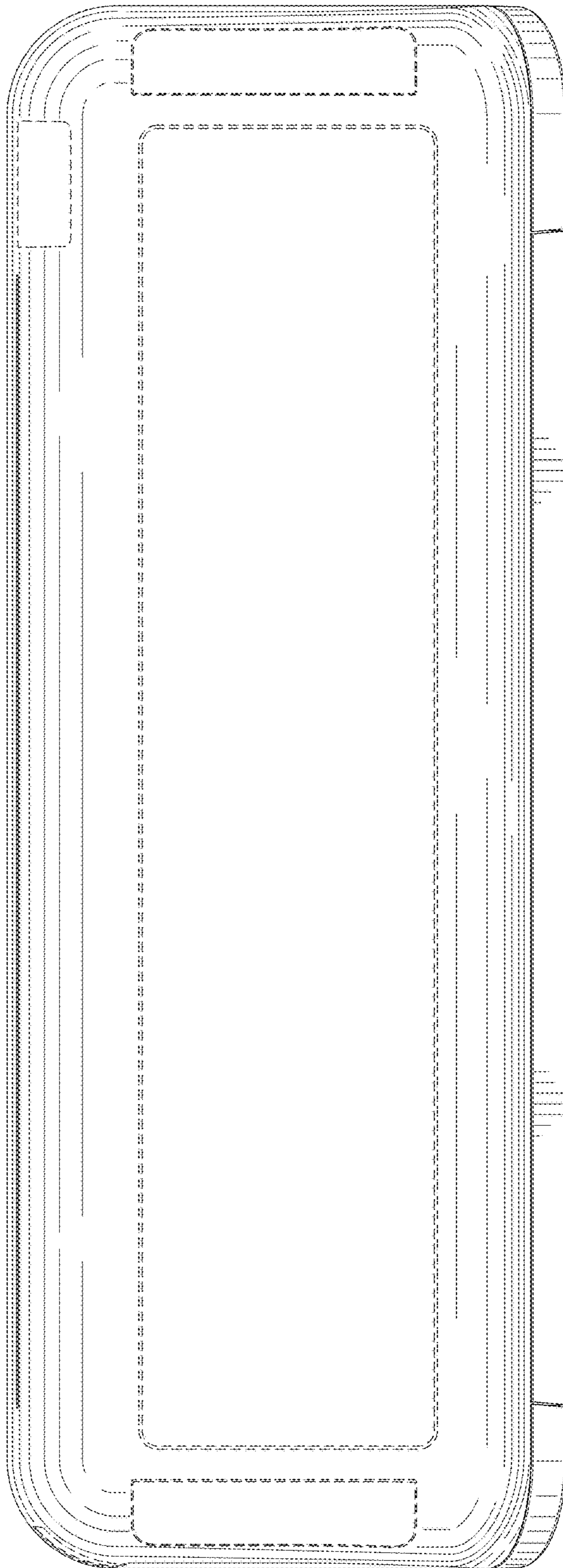


FIG. 7



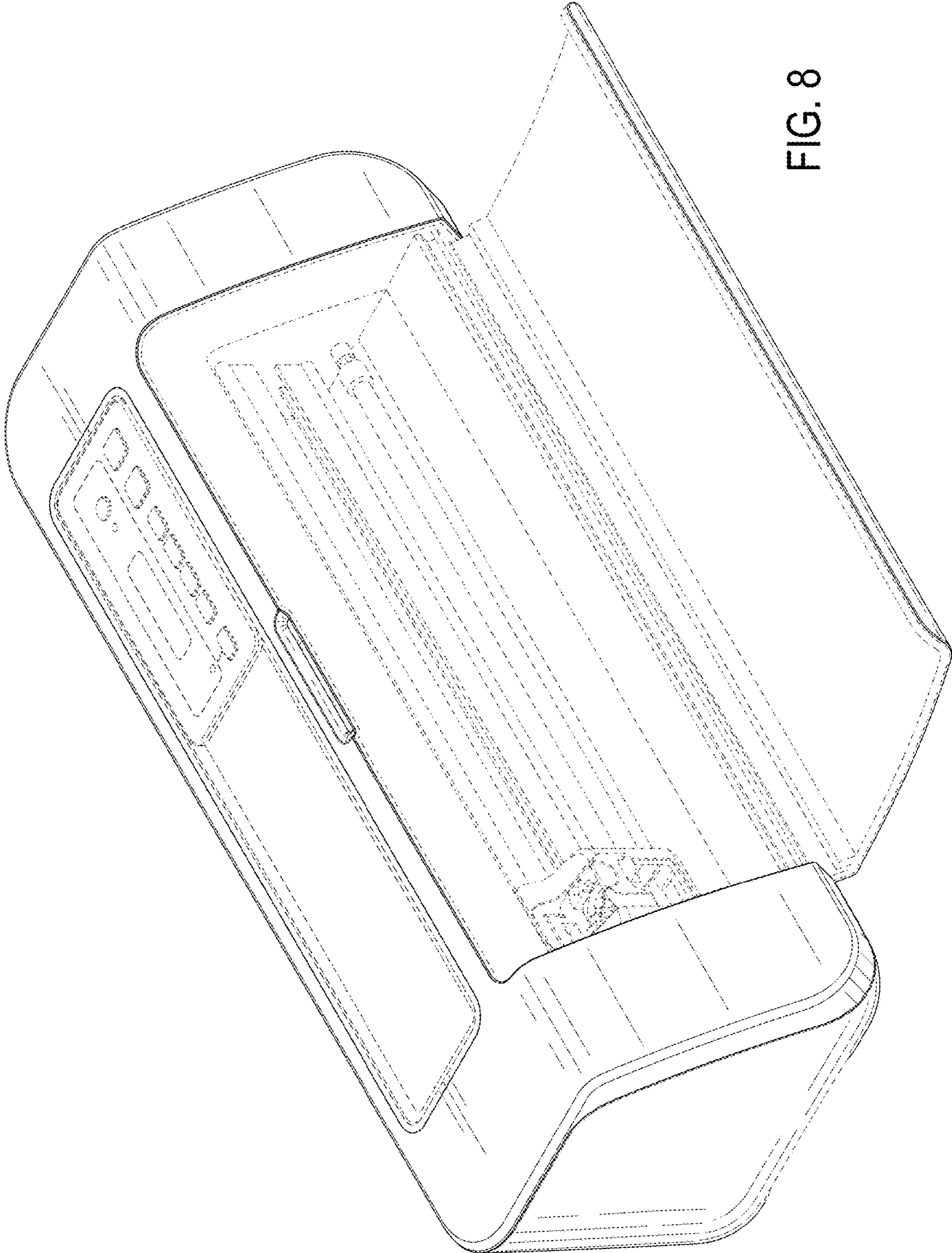


FIG. 8