



US00D823935S

(12) **United States Design Patent**
Wang et al.

(10) **Patent No.:** **US D823,935 S**
(45) **Date of Patent:** **** Jul. 24, 2018**

(54) **SMART PAYMENT TERMINAL**

(71) Applicant: **PAX COMPUTER TECHNOLOGY (SHENZHEN) CO., LTD.**, Shenzhen (CN)

(72) Inventors: **Yuzhuo Wang**, Shenzhen (CN);
Zhiqiang Huang, Shenzhen (CN);
Xiaojun Huang, Shenzhen (CN)

(73) Assignee: **PAX COMPUTER TECHNOLOGY (SHENZHEN) CO., LTD.**, Shenzhen, Guangdong (CN)

(**) Term: **15 Years**

(21) Appl. No.: **29/533,257**

(22) Filed: **Jul. 15, 2015**

(30) **Foreign Application Priority Data**

May 29, 2015 (CN) 2015 3 0171288

(51) **LOC (11) Cl.** **18-01**

(52) **U.S. Cl.**
USPC **D18/4.6; D14/385**

(58) **Field of Classification Search**
USPC D18/1–12.3, 46–49; D14/125–127, 230,
D14/307, 314, 323, 336, 345, 385, 422,
(Continued)

(56) **References Cited**

U.S. PATENT DOCUMENTS

D287,591 S * 1/1987 Kaplan D14/387
5,164,576 A * 11/1992 Anglin G06K 13/06
235/449

(Continued)

Primary Examiner — Susan Bennett Hattan

Assistant Examiner — Brett Miller

(74) *Attorney, Agent, or Firm* — Hamre, Schumann,
Mueller & Larson, P.C.

(57) **CLAIM**

The ornamental design for a smart payment terminal, as shown and described.

DESCRIPTION

FIG. 1 is a perspective view of a smart payment terminal according to a first embodiment;
FIG. 2 is a front view of the smart payment terminal according to the first embodiment;
FIG. 3 is a rear view of the smart payment terminal according to the first embodiment;
FIG. 4 is a left side view of the smart payment terminal according to the first embodiment;
FIG. 5 is a right side view of the smart payment terminal according to the first embodiment;
FIG. 6 is a top view of the smart payment terminal according to the first embodiment;
FIG. 7 is a bottom view of the smart payment terminal according to the first embodiment;
FIG. 8 is a first perspective view of a smart payment terminal according to a second embodiment;
FIG. 9 is a front view of the smart payment terminal according to the second embodiment;
FIG. 10 is a rear view of the smart payment terminal according to the second embodiment;
FIG. 11 is a left side view of the smart payment terminal according to the second embodiment;
FIG. 12 is a right side view of the smart payment terminal according to the second embodiment;
FIG. 13 is a top view of the smart payment terminal according to the second embodiment;
FIG. 14 is a bottom view of the smart payment terminal according to the second embodiment;
FIG. 15 is a first perspective view of a smart payment terminal according to a third embodiment;
FIG. 16 is a front view of the smart payment terminal according to the third embodiment;
FIG. 17 is a rear view of the smart payment terminal according to the third embodiment;
FIG. 18 is a left side view of the smart payment terminal according to the third embodiment;
FIG. 19 is a right side view of the smart payment terminal according to the third embodiment;

(Continued)

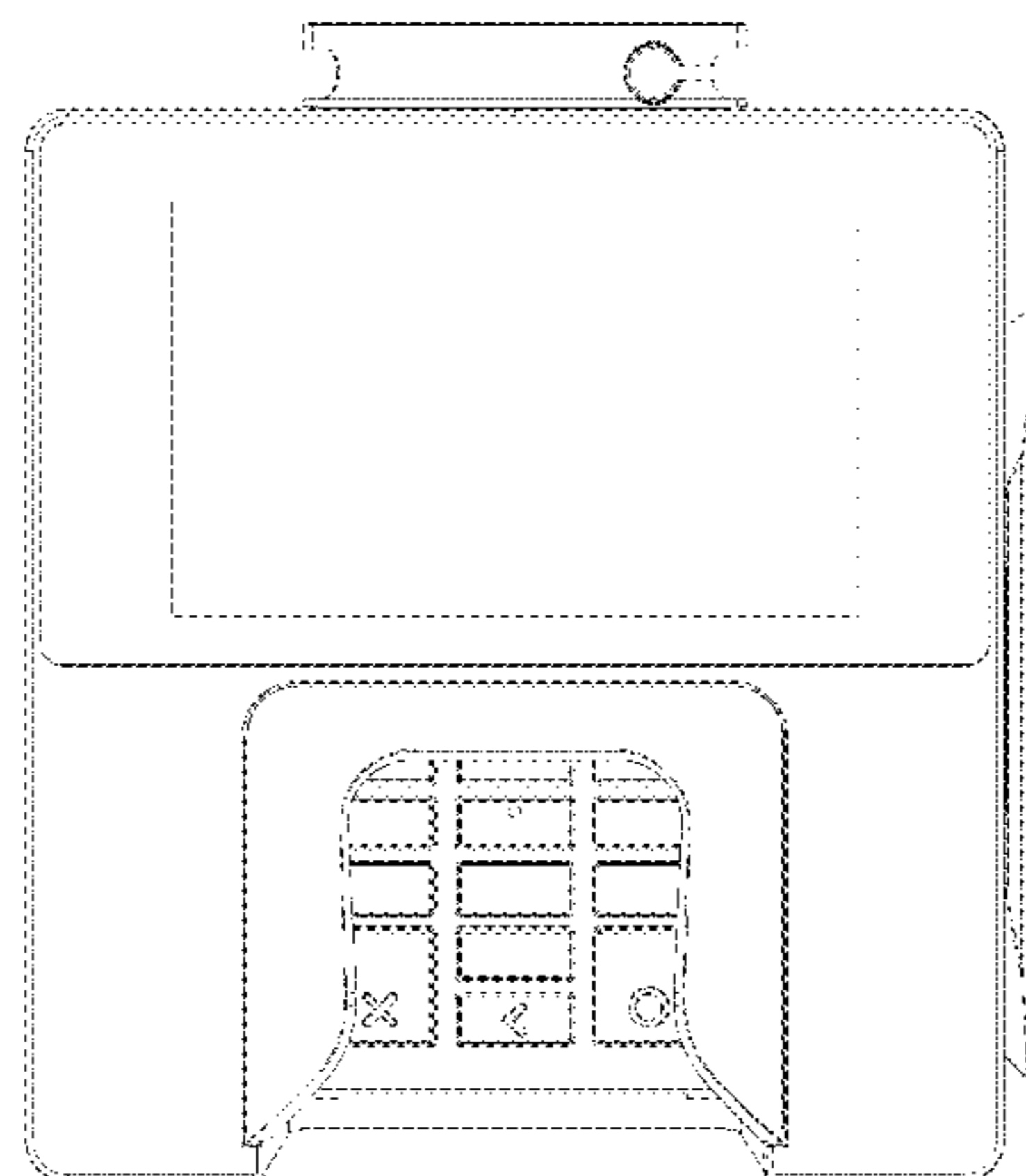
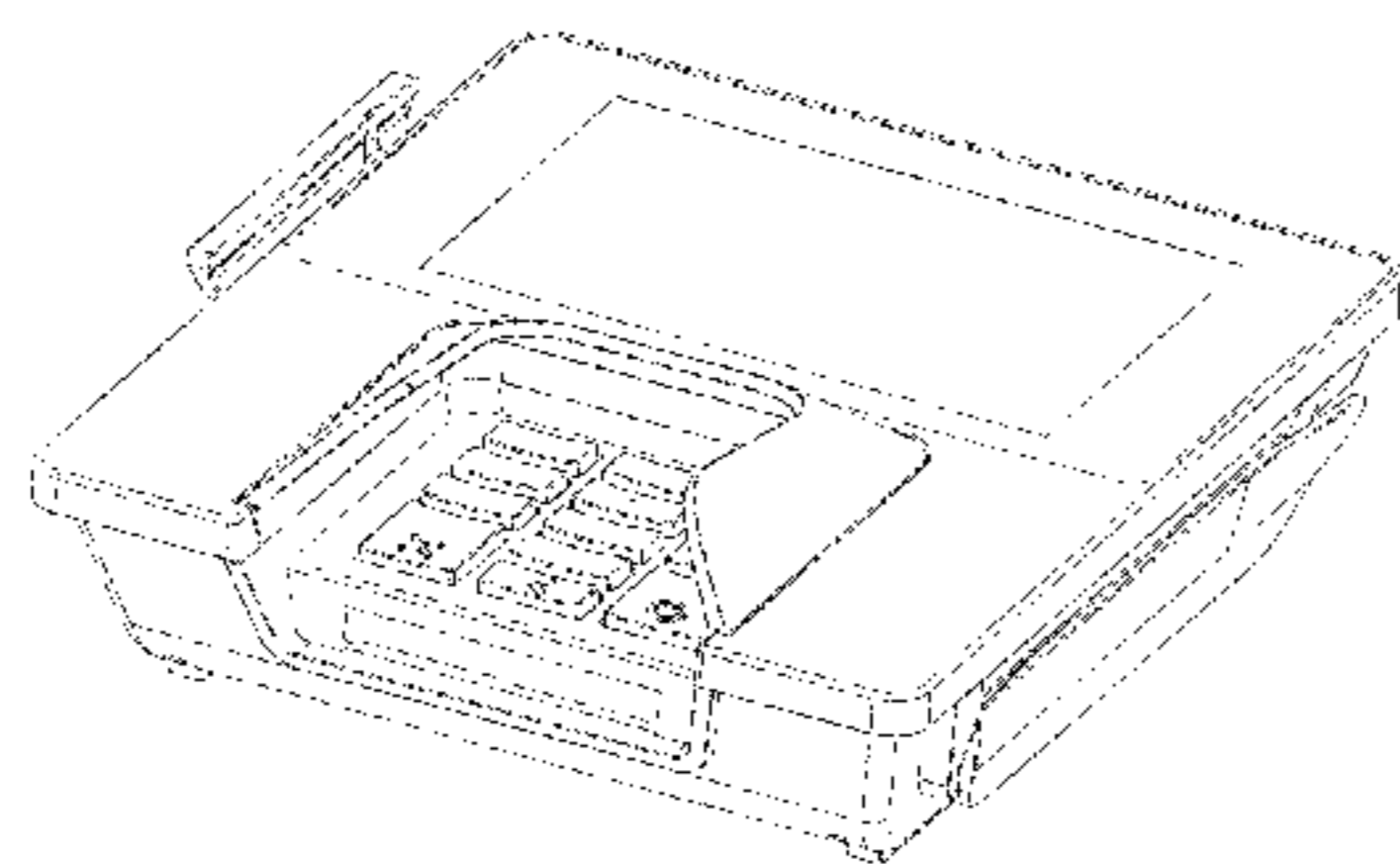


FIG. 20 is a top view of the smart payment terminal according to the third embodiment;
 FIG. 21 is a bottom view of the smart payment terminal according to the third embodiment;
 FIG. 22 is a second perspective view of the smart payment terminal according to the third embodiment;
 FIG. 23 is a second perspective view of the smart payment terminal according to the second embodiment; and,
 FIG. 24 is a partially enlarged view of the second perspective view of the smart payment terminal according to the second embodiment.
 The broken lines in the drawings depict portions of the smart payment terminal that form no part of the claimed design.

1 Claim, 24 Drawing Sheets

(58) **Field of Classification Search**

USPC D14/496, 373, 371, 374–377, 341, 389;
 705/16, 17; D99/34, 43; 235/449
 CPC G07G 1/0018; G07G 1/12; G06F 21/86
 See application file for complete search history.

(56) **References Cited**

U.S. PATENT DOCUMENTS

D367,044 S * 2/1996 Arakaki D18/4.6
 D367,647 S * 3/1996 Faggard D14/387

D409,650 S * 5/1999 Hanna D18/4.6
 D455,889 S * 4/2002 Jobin D99/43
 6,991,159 B2 * 1/2006 Zenou G07G 1/0018
 235/383
 D525,410 S * 7/2006 Colley D99/43
 D544,903 S * 6/2007 Henry D18/4.6
 D590,575 S * 4/2009 Bleck D14/399
 D672,778 S * 12/2012 Bousfield D14/385
 8,665,229 B2 * 3/2014 Fukuda G07G 1/0018
 235/2
 D730,355 S * 5/2015 Daniel D14/307
 D765,767 S * 9/2016 Yeruva D18/12.2
 D768,766 S * 10/2016 Demange D18/4.4
 2001/0039533 A1 * 11/2001 Pare, Jr. G01F 19/005
 705/39
 2008/0135617 A1 * 6/2008 Aviv G06K 7/0091
 235/449
 2012/0018288 A1 * 1/2012 Rollet G06F 21/86
 200/5 A
 2013/0225075 A1 * 8/2013 Schmid G07G 1/12
 455/41.1
 2016/0111232 A1 * 4/2016 Wolfe G07F 19/2055
 200/5 A
 2016/0133103 A1 * 5/2016 Kanomata G07G 1/12
 705/16
 2017/0046678 A1 * 2/2017 Demir G07G 1/0018
 2017/0061746 A1 * 3/2017 Tanaka G07G 1/0018
 2017/0098104 A1 * 4/2017 Matsumoto G06F 21/86
 2017/0140179 A1 * 5/2017 Neo G06K 7/0008

* cited by examiner

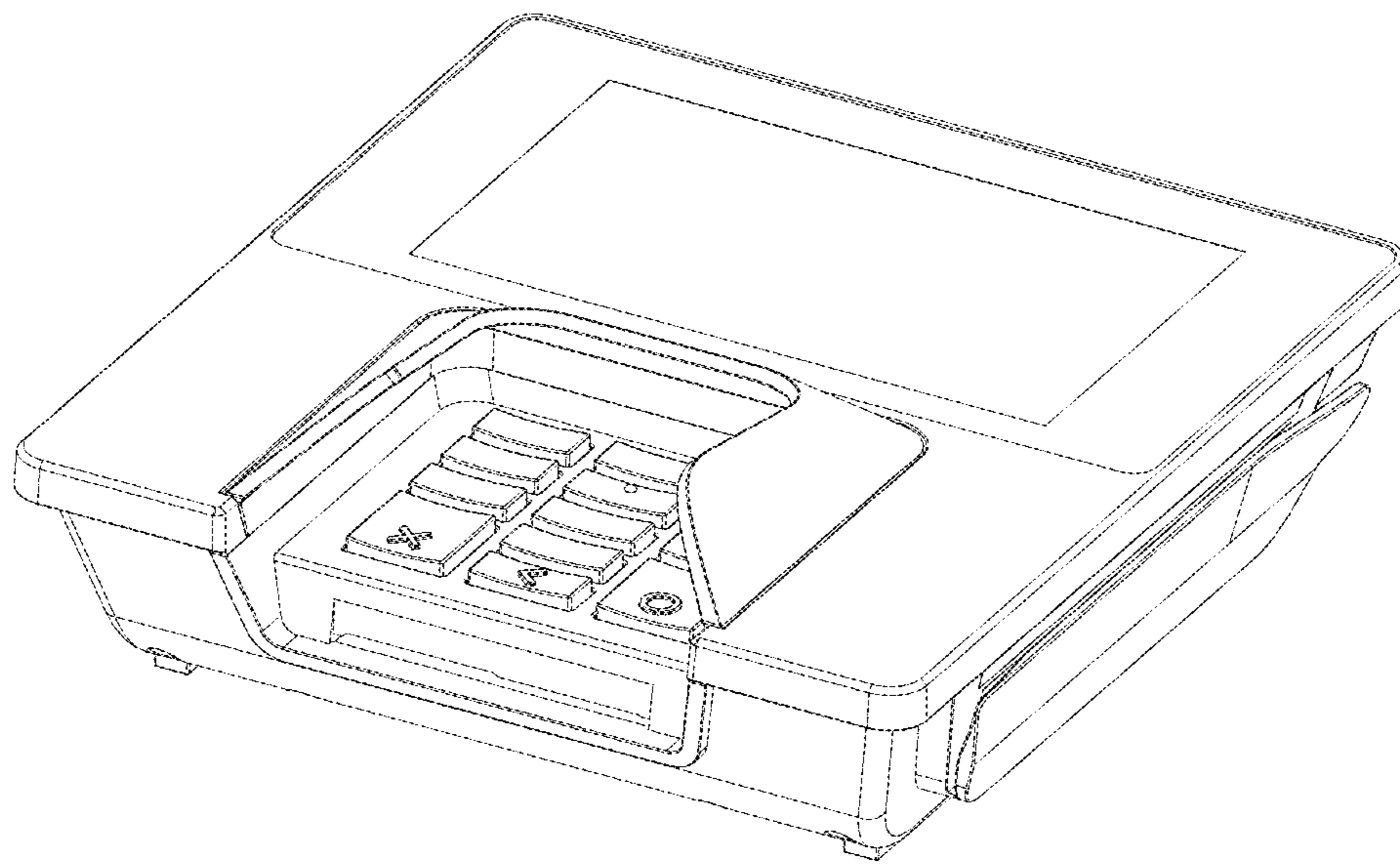


FIG.1

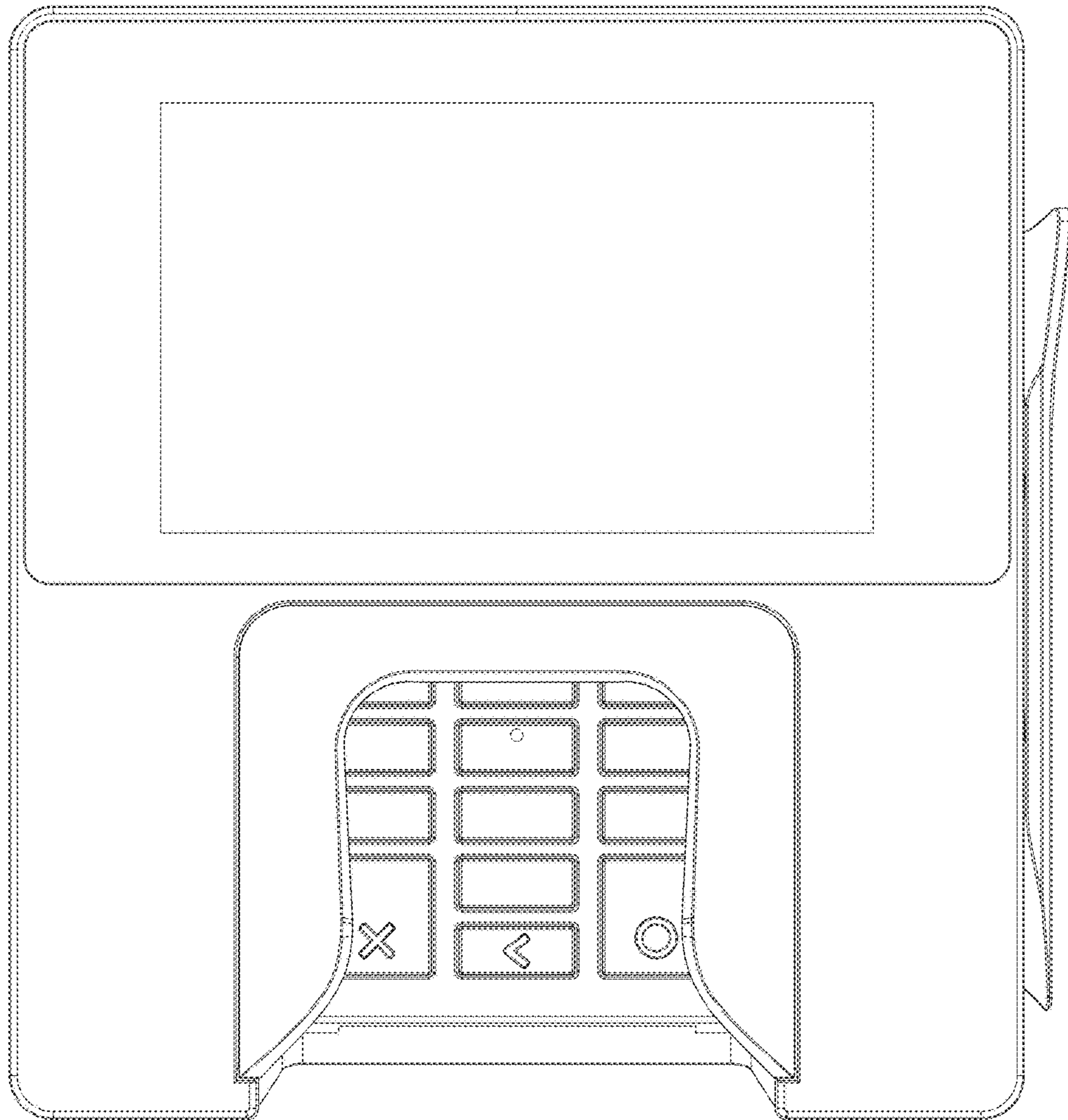


FIG. 2

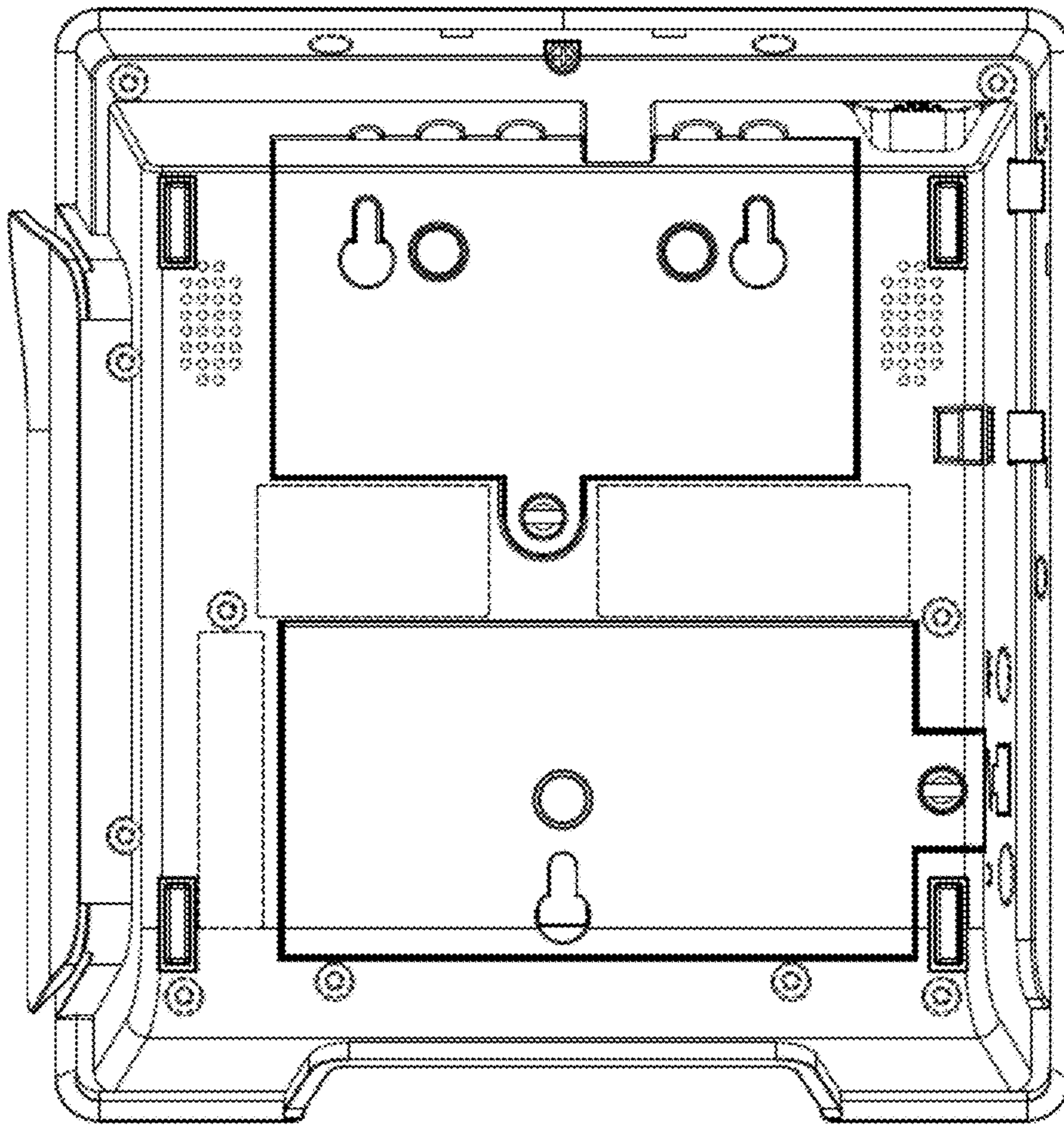


FIG.3

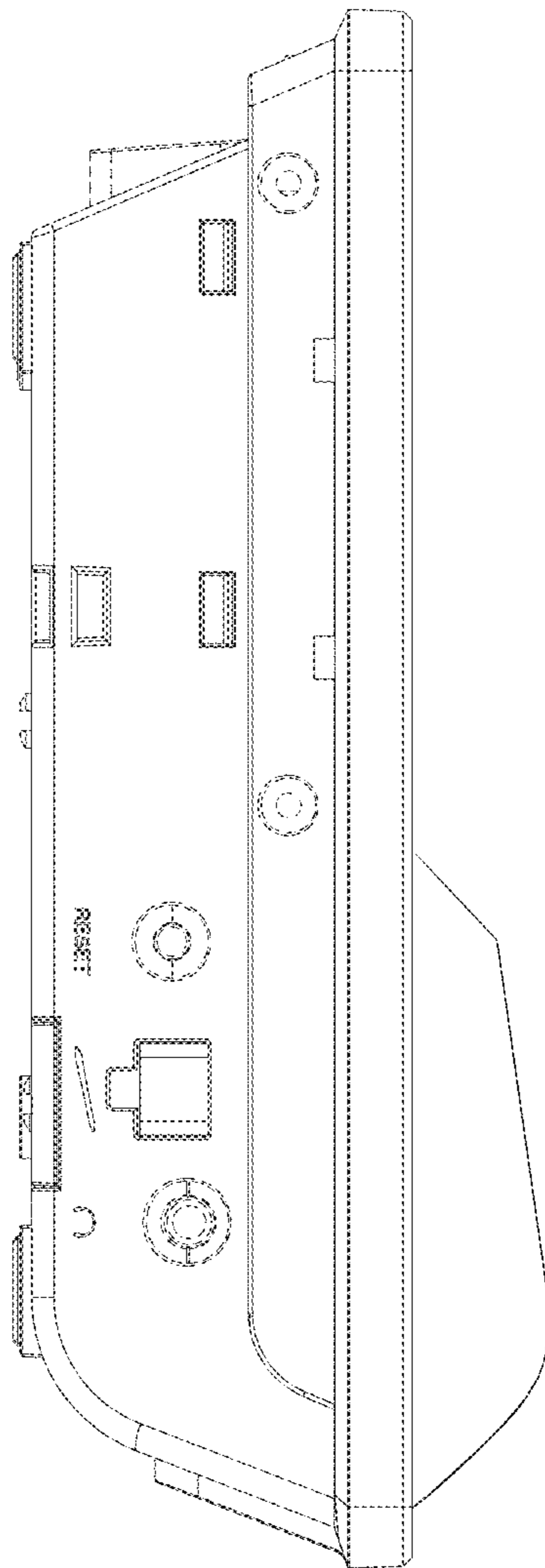


FIG.4

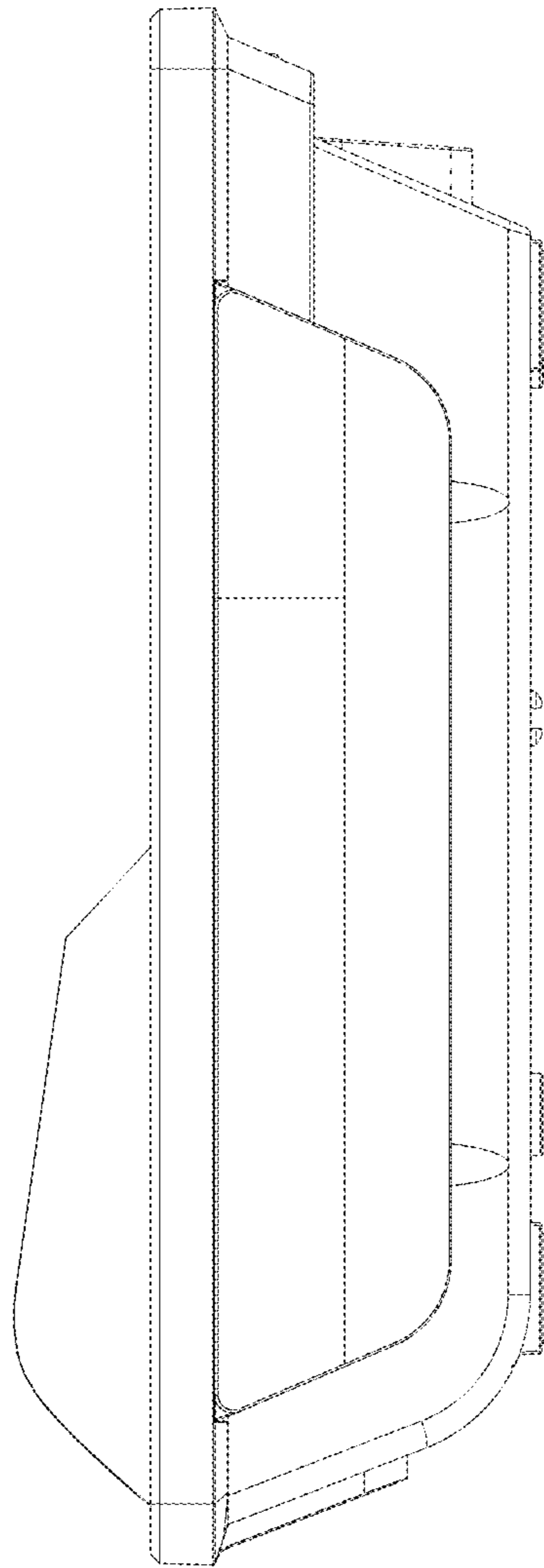


FIG.5

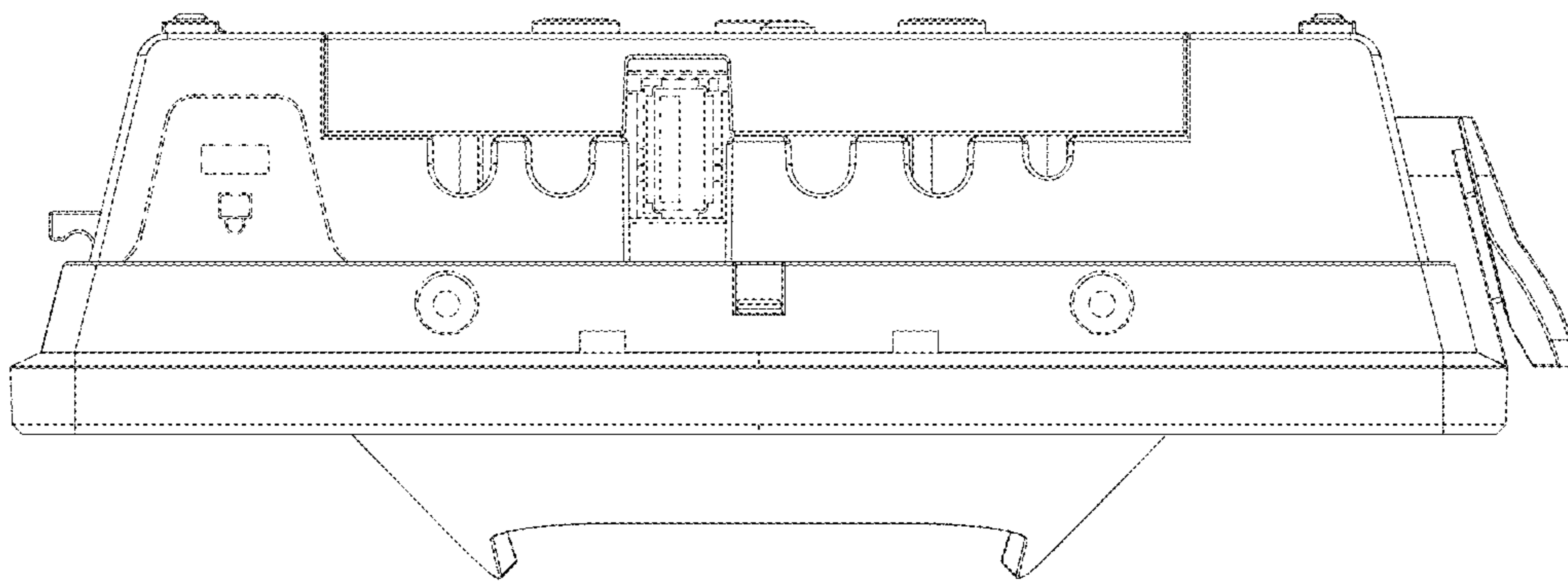


FIG. 6

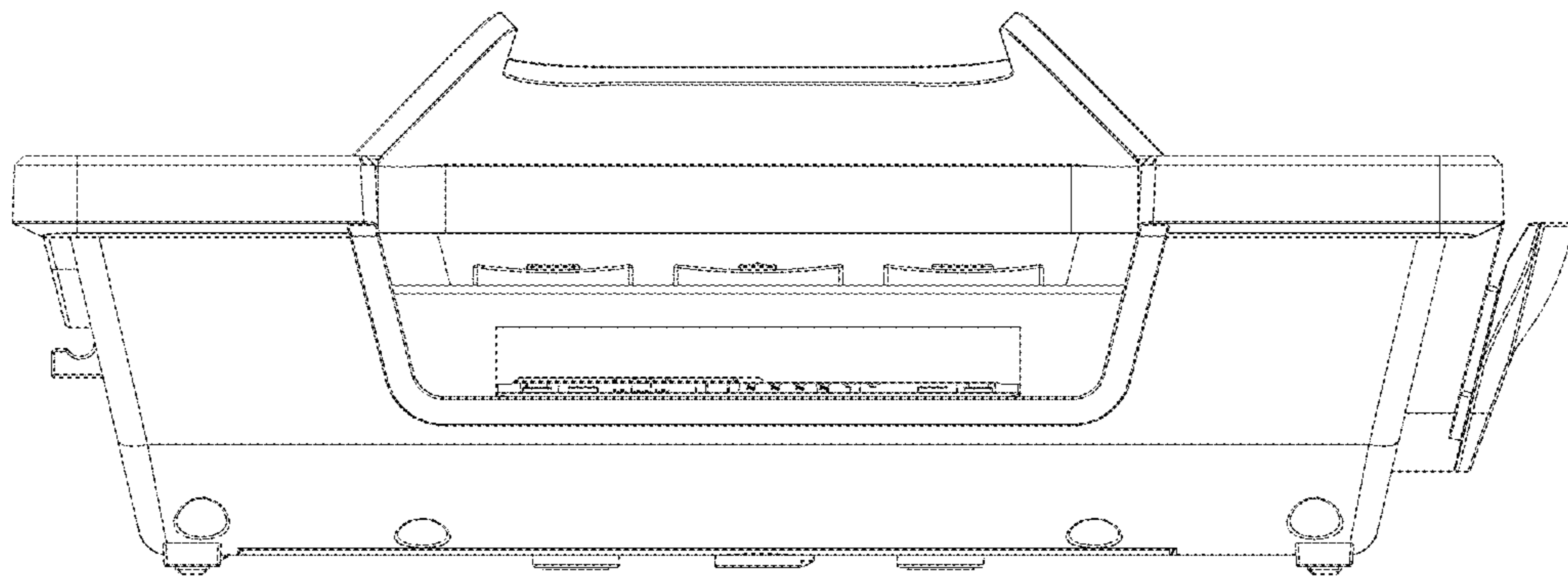


FIG.7

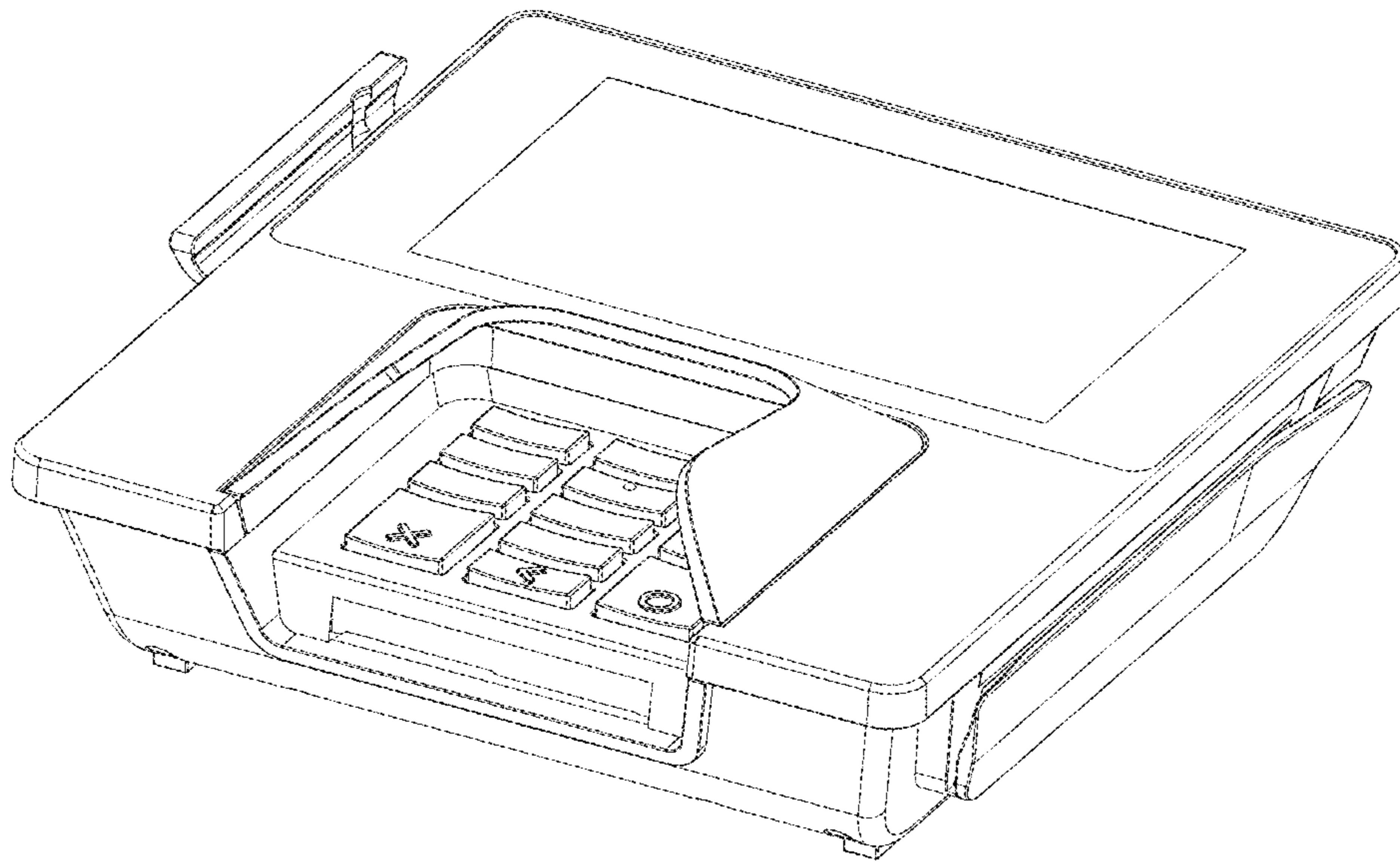


FIG.8

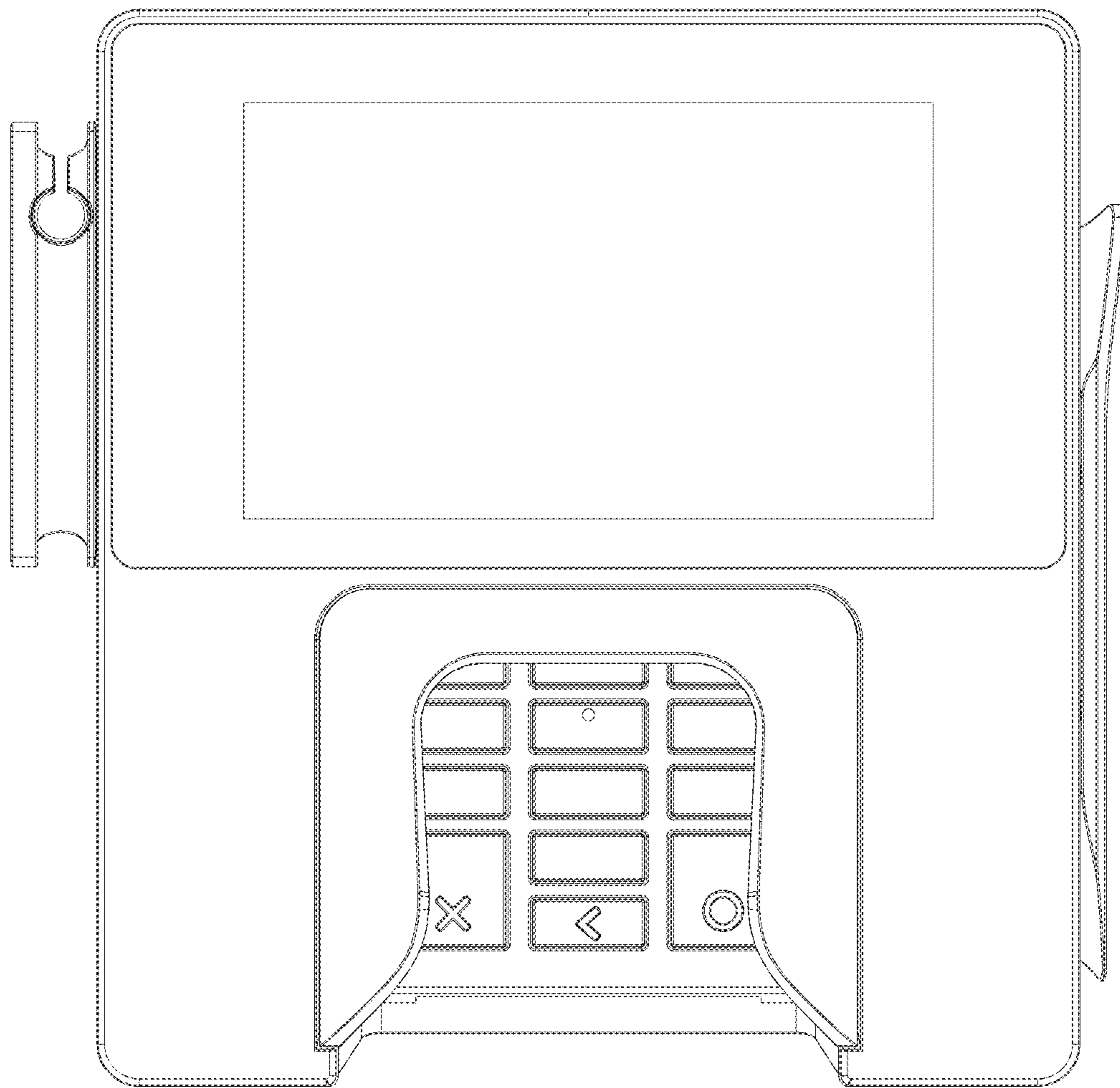


FIG. 9

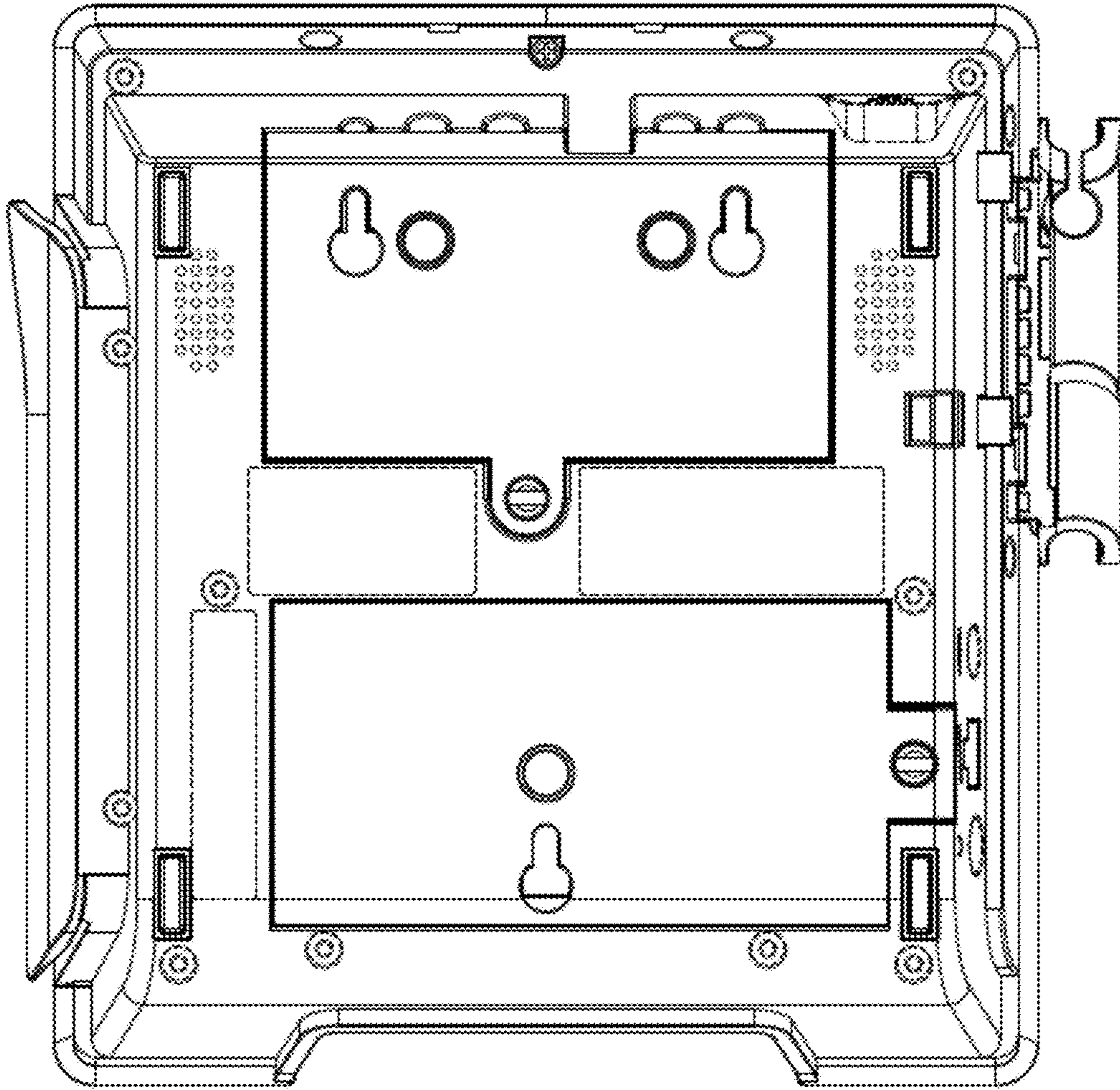


FIG.10

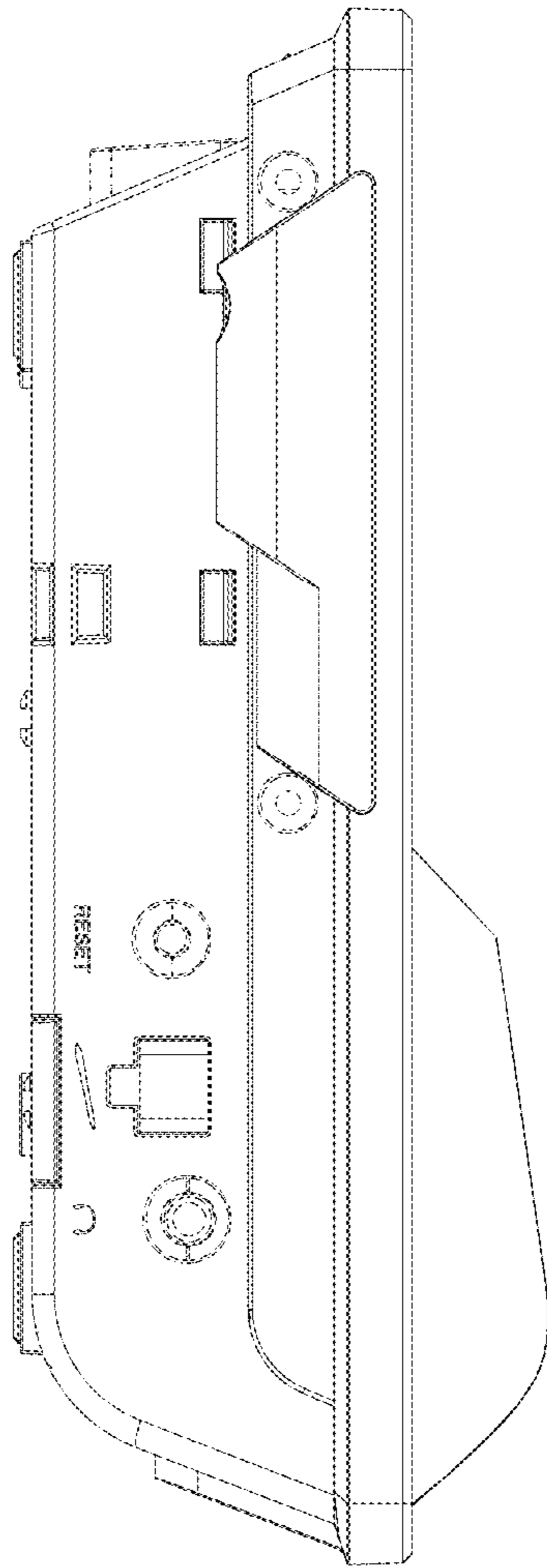


FIG.11

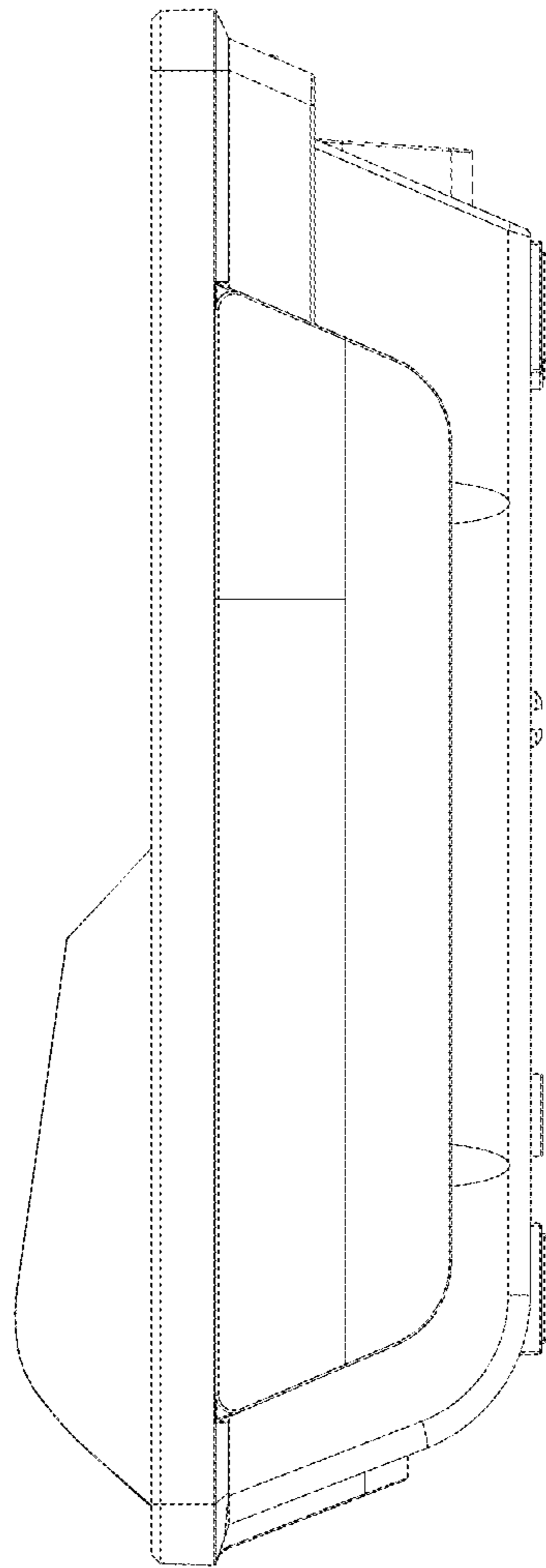


FIG.12

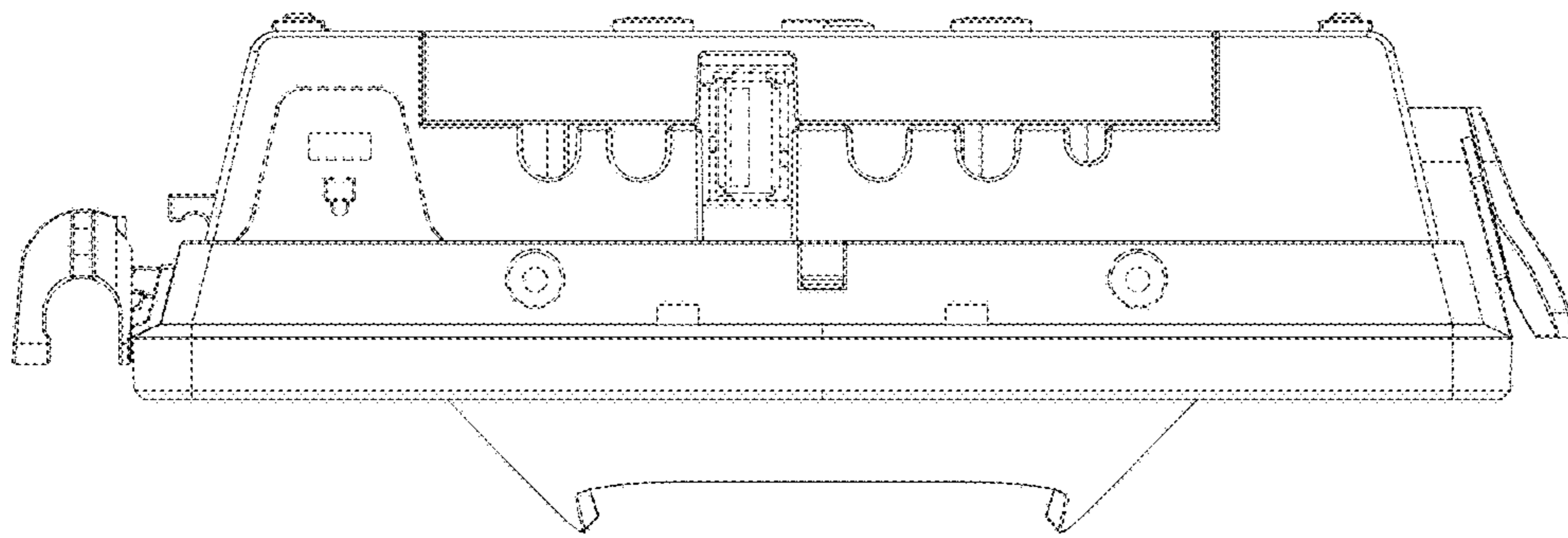


FIG.13

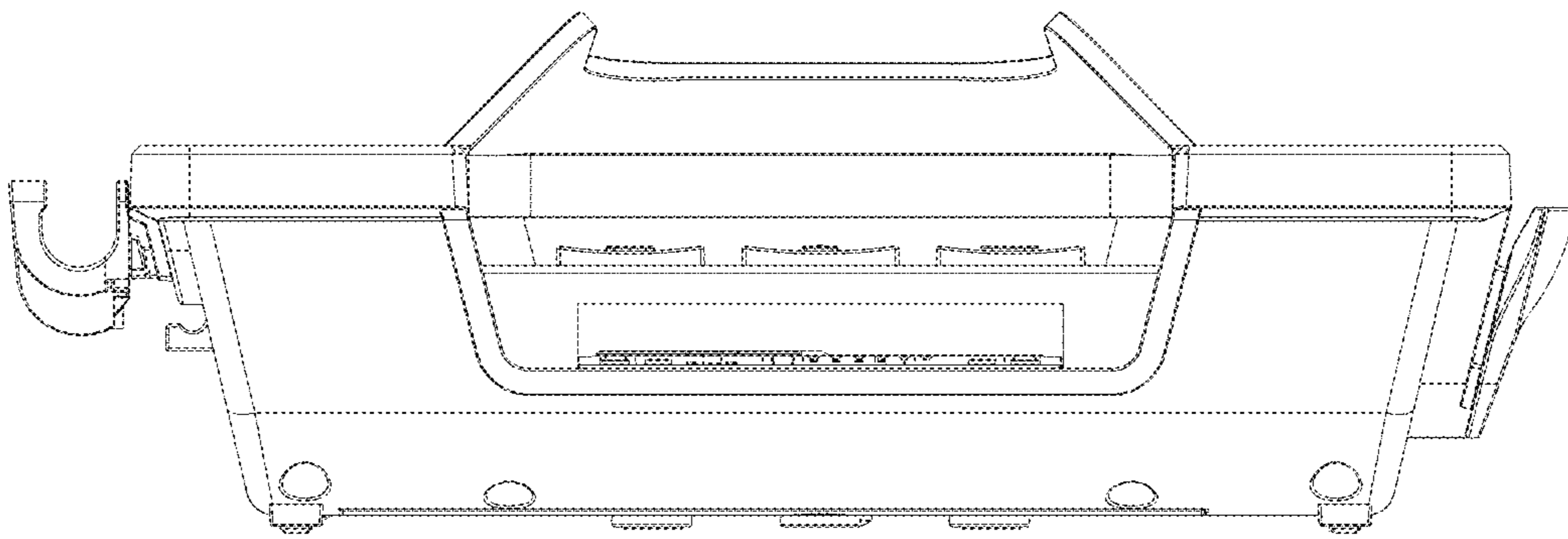


FIG.14

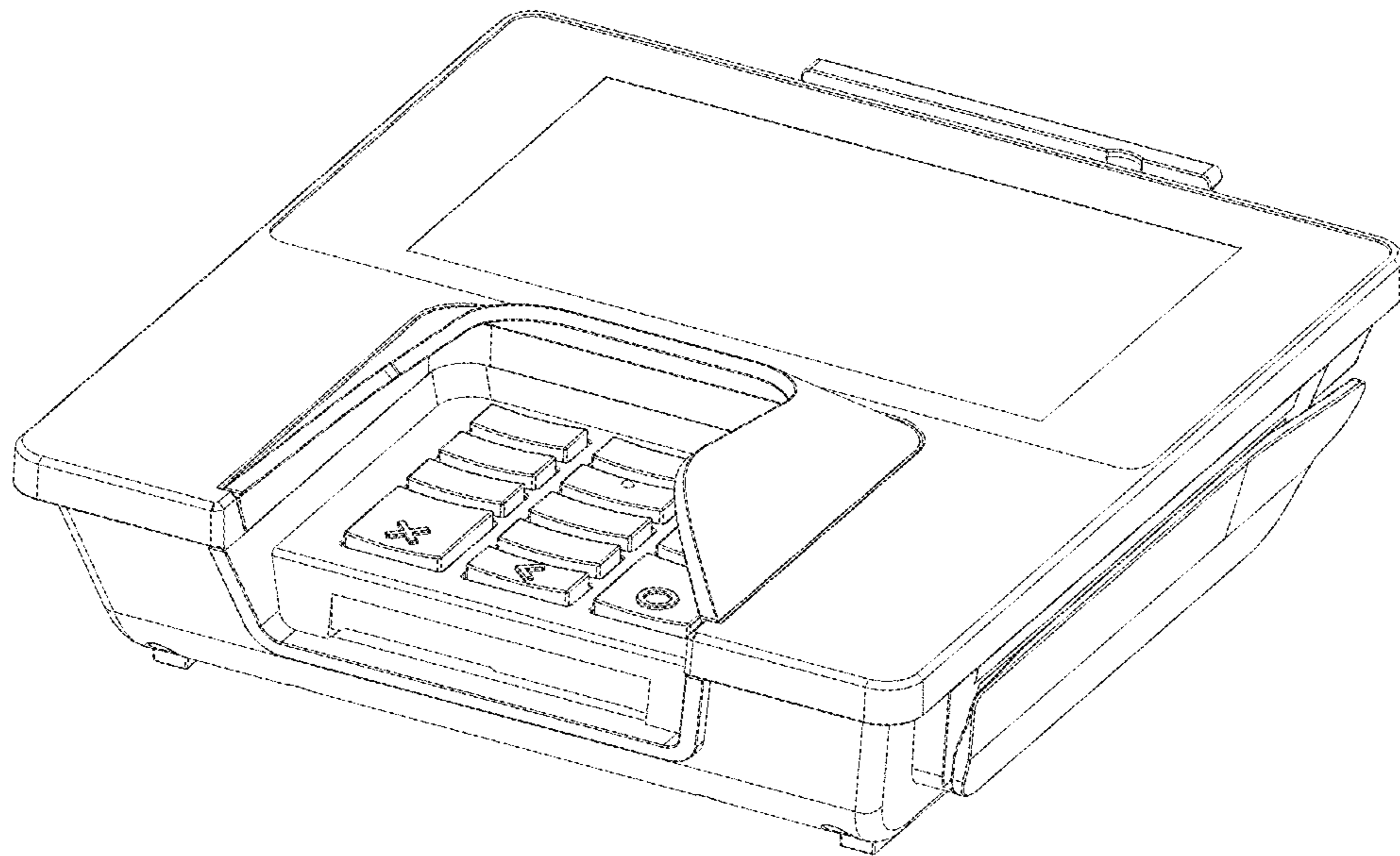


FIG.15

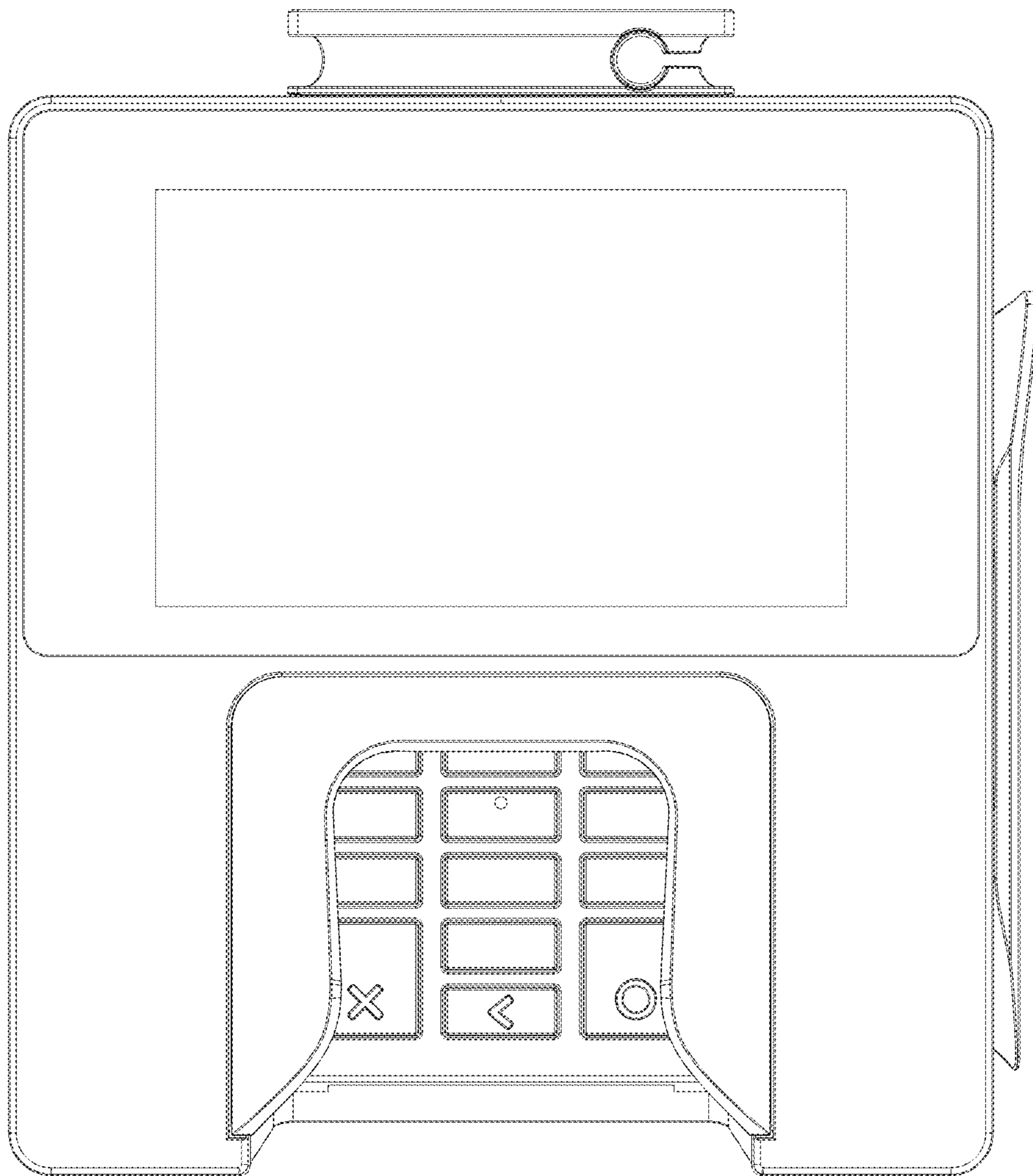


FIG. 16

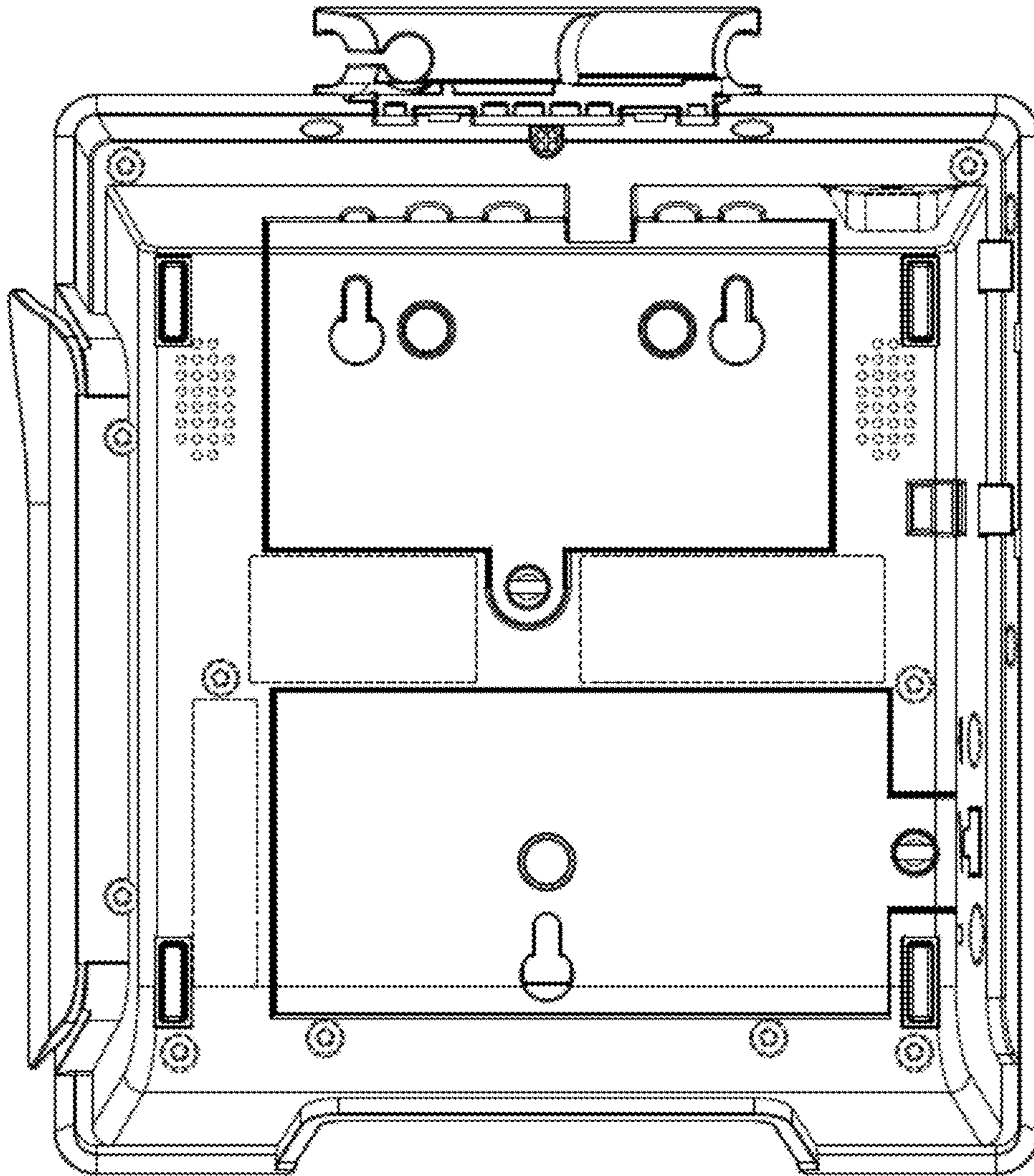


FIG.17

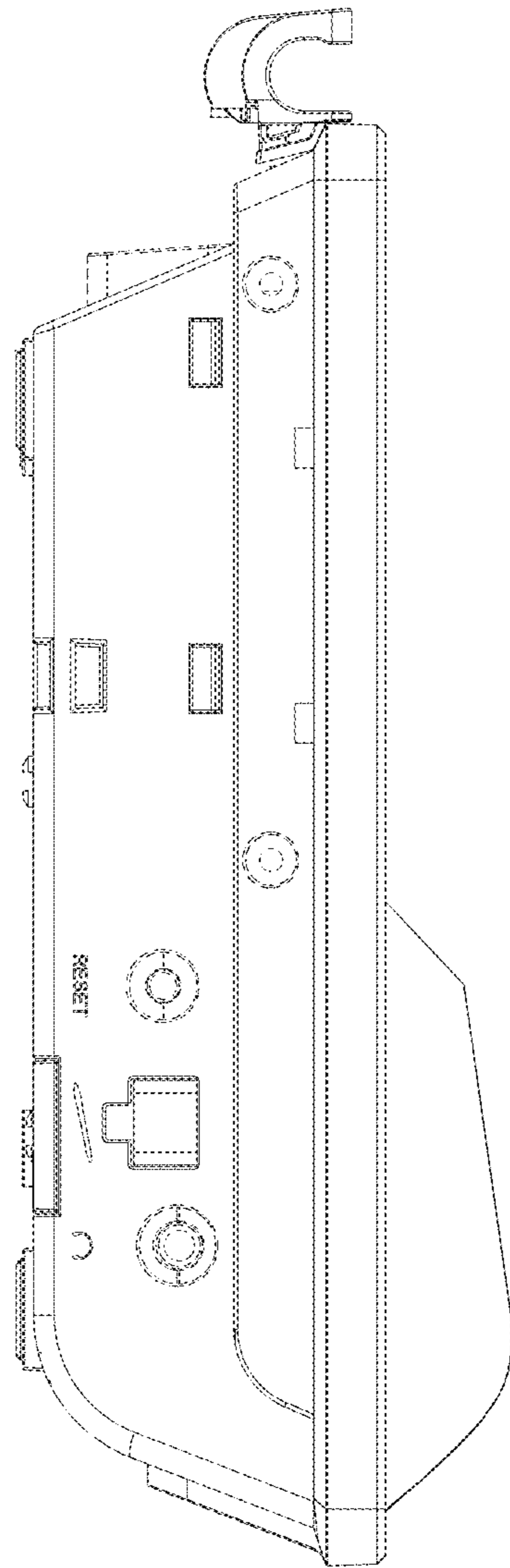


FIG.18

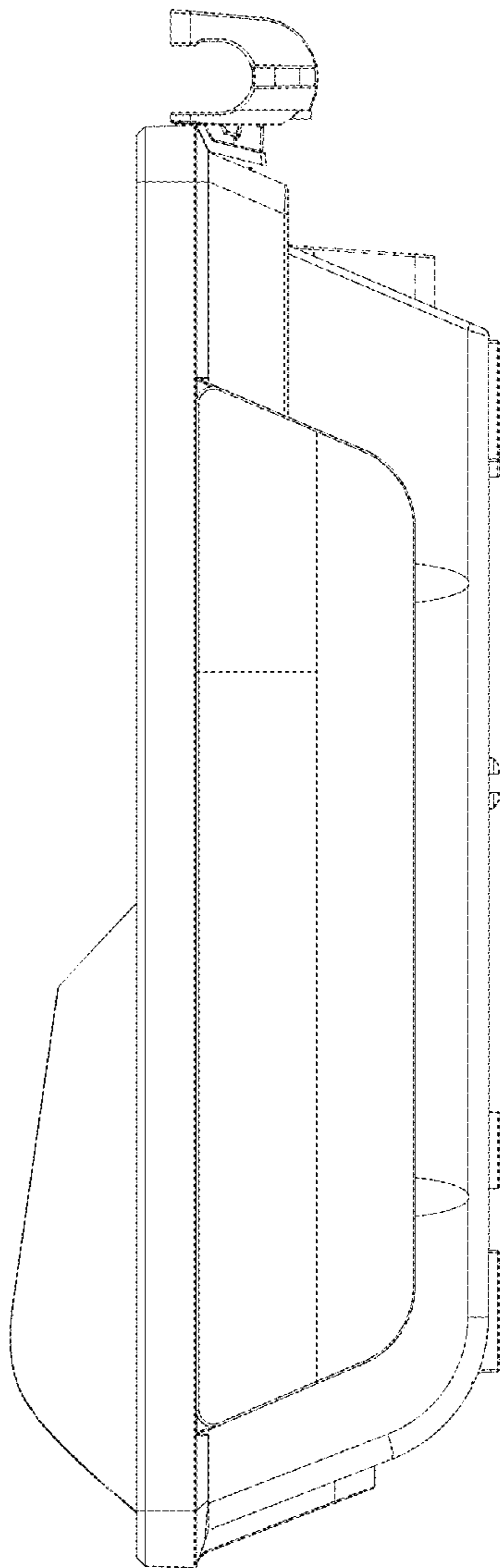


FIG.19

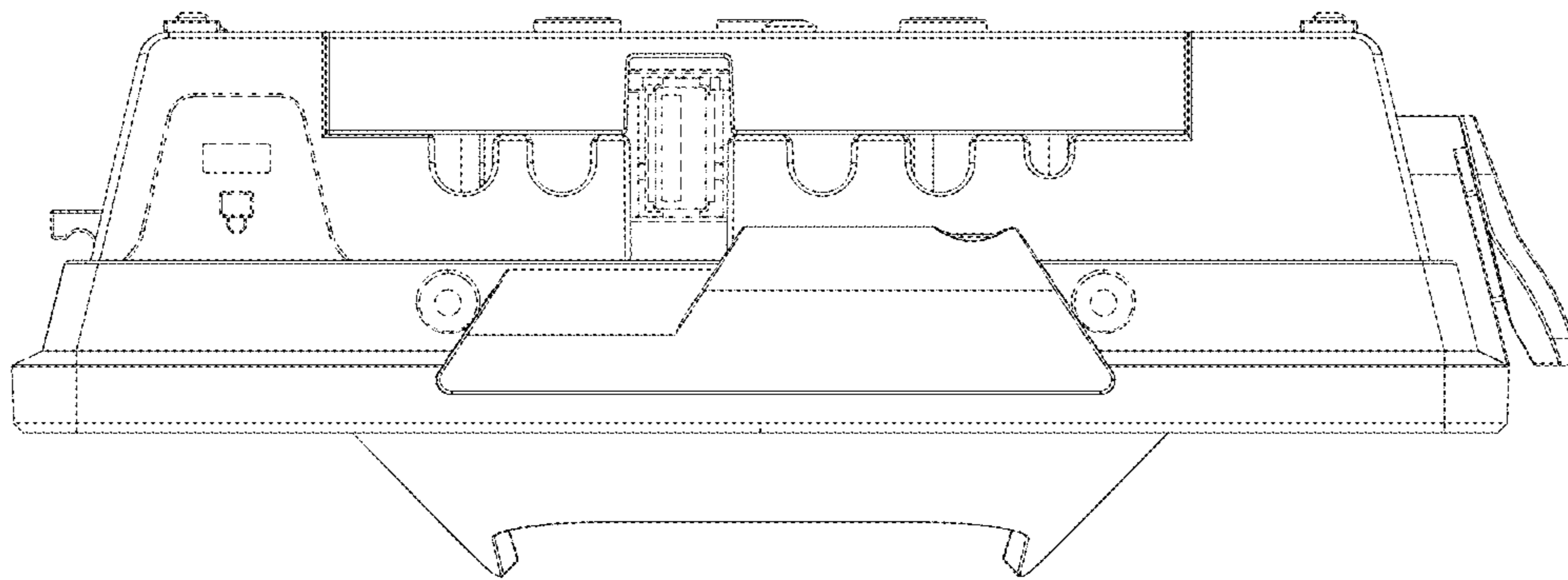


FIG.20

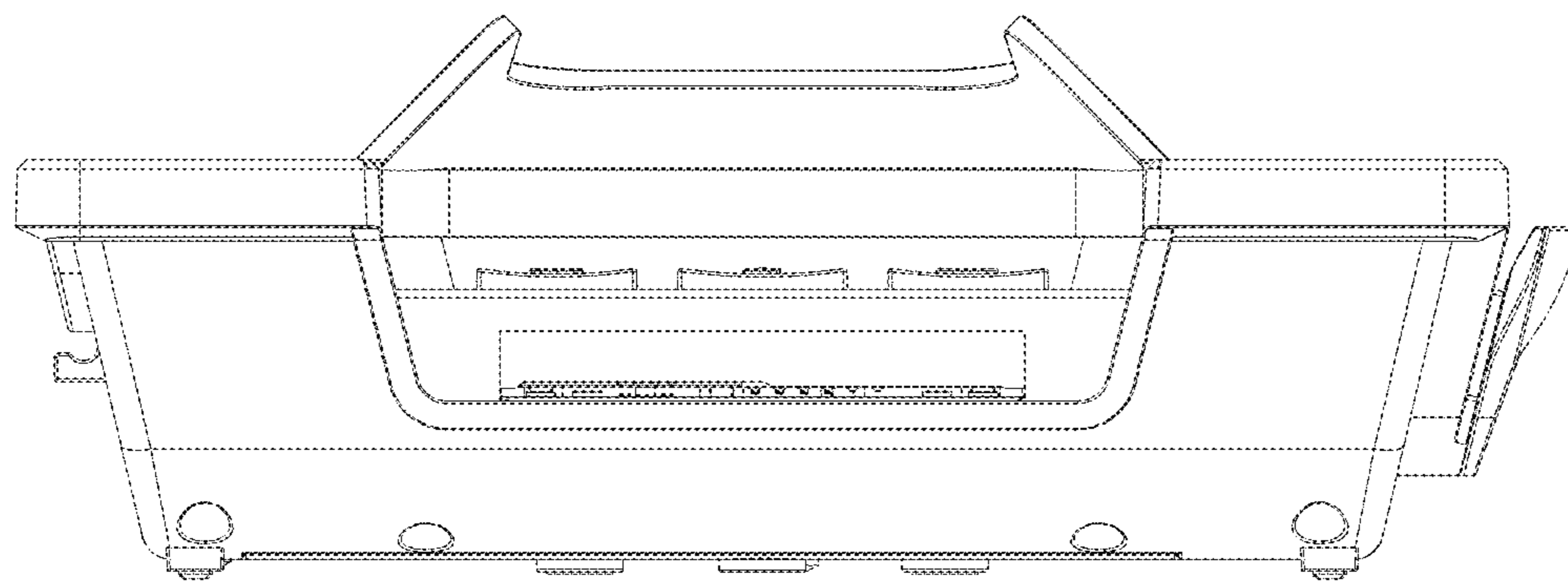


FIG.21

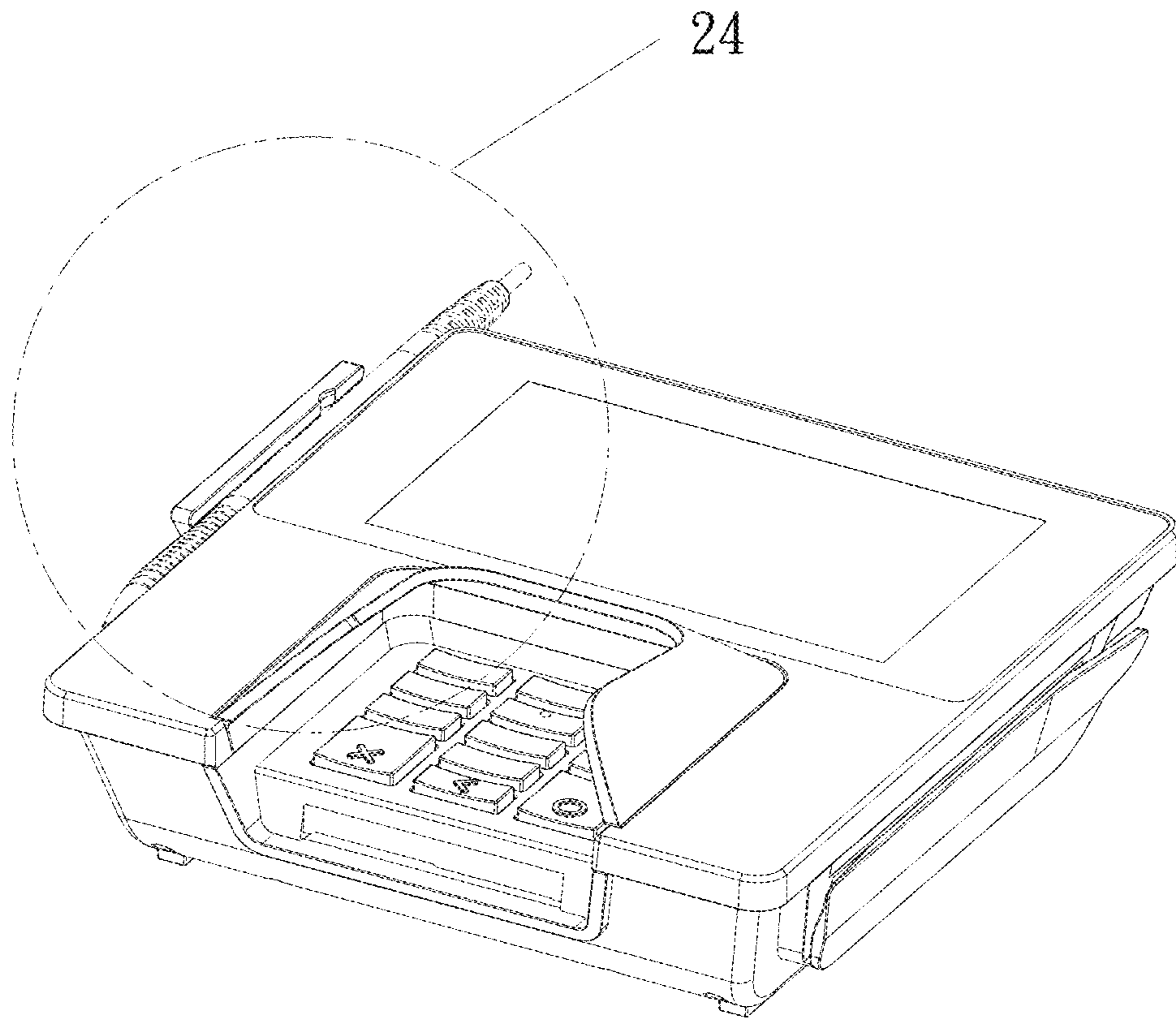


FIG.22

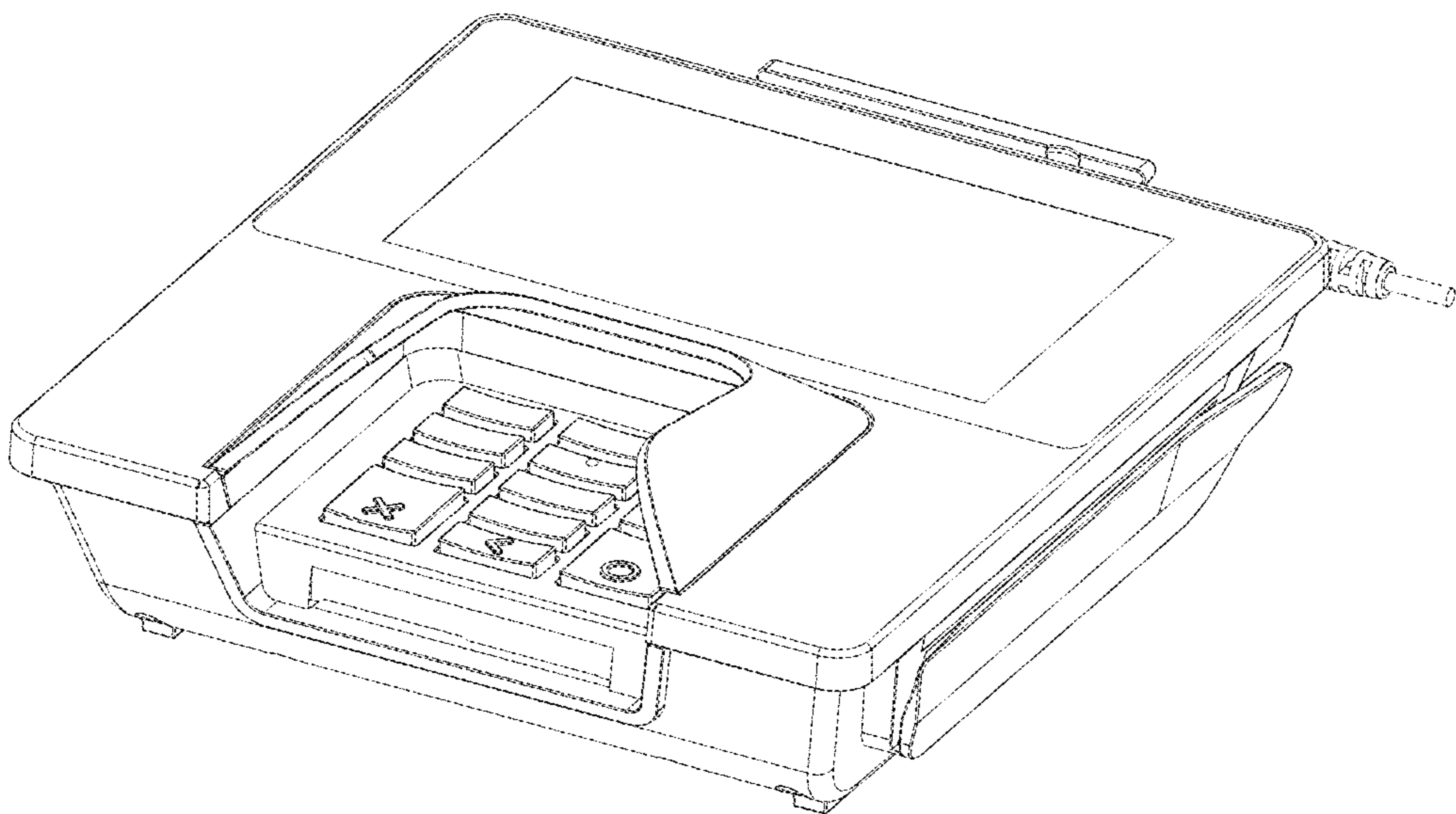


FIG.23

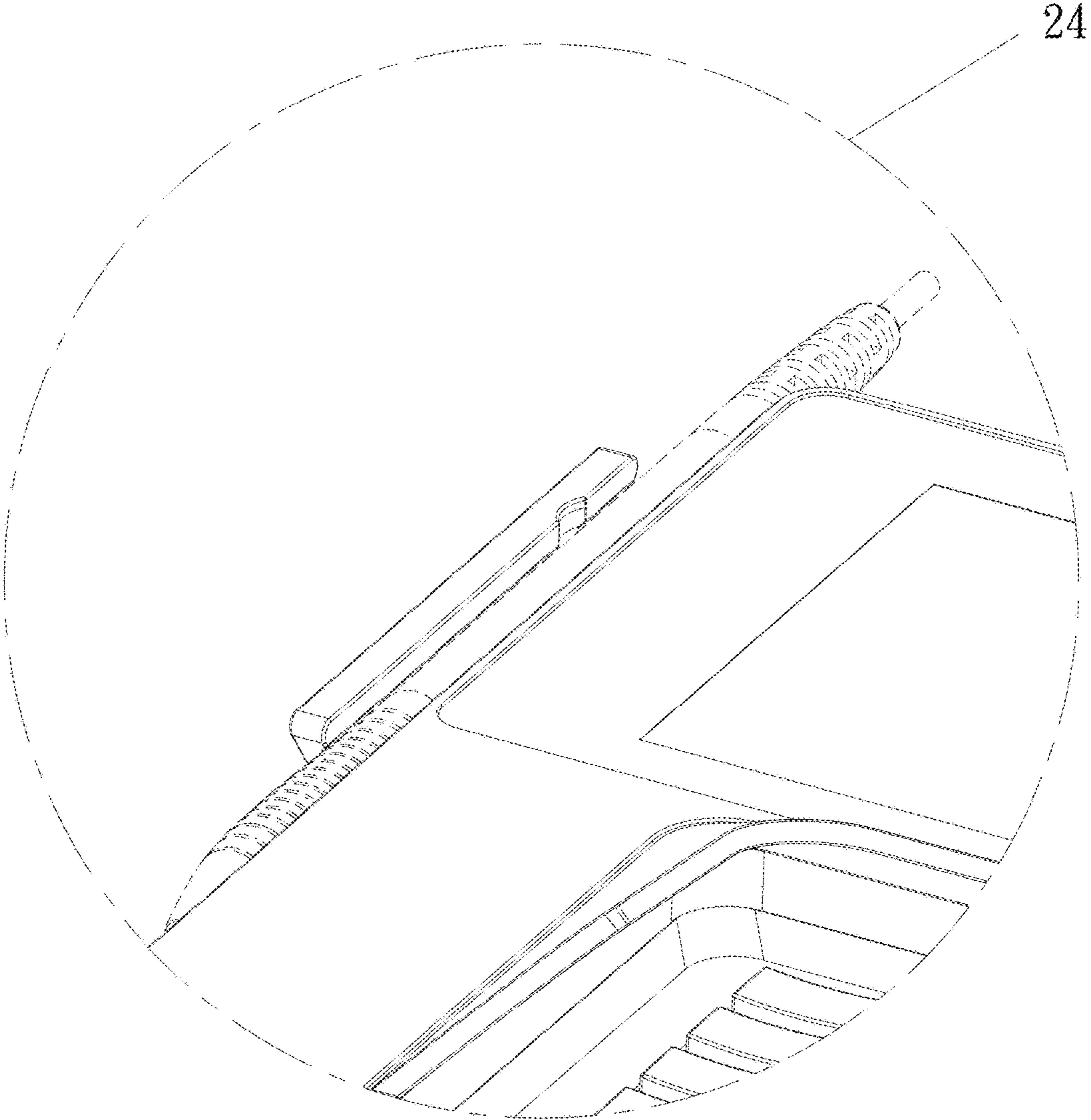


FIG.24