



US00D823934S

(12) **United States Design Patent**
Togai et al.

(10) **Patent No.:** **US D823,934 S**
(45) **Date of Patent:** **** Jul. 24, 2018**

(54) **ELECTRONIC WIND INSTRUMENT**

(71) Applicant: **Roland Corporation**, Shizuoka (JP)

(72) Inventors: **Hidemasa Togai**, Shizuoka (JP);
Fumihiko Miura, Shizuoka (JP)

(73) Assignee: **Roland Corporation**, Shizuoka (JP)

(**) Term: **15 Years**

(21) Appl. No.: **29/576,891**

(22) Filed: **Sep. 8, 2016**

(51) **LOC (11) Cl.** **17-02**

(52) **U.S. Cl.**
USPC **D17/10**

(58) **Field of Classification Search**
USPC D17/10, 13, 99; D21/405, 406, 409, 411
CPC G10D 7/00; G10D 7/023; G10D 7/026;
G10D 7/066; G10D 7/063; G10D 9/00;
G10D 9/02; G10D 9/023; G10D 9/04;
G10D 9/043; G10D 9/046
See application file for complete search history.

(56) **References Cited**

U.S. PATENT DOCUMENTS

- 4,038,895 A * 8/1977 Clement G10H 5/002
4/558
- D310,679 S * 9/1990 Kira D17/10
- D323,340 S * 1/1992 Sato D17/10
- 5,300,729 A * 4/1994 Tokunaga G10H 1/02
84/619
- 5,403,966 A * 4/1995 Kawashima G10H 1/0553
84/612
- D403,695 S * 1/1999 Katsumata D17/10
- 5,929,361 A * 7/1999 Tanaka G09B 15/003
84/380 R

- D427,228 S * 6/2000 Light 84/384
- 2014/0305279 A1* 10/2014 Russell G10D 9/02
84/380 R
- 2016/0171958 A1* 6/2016 Rovner G10D 7/08
84/383 A

FOREIGN PATENT DOCUMENTS

- CN 89302183.0 10/1990
- EP 0509963 A2 * 10/1992 G10D 7/066
- FR 20151813-0001 7/2015
- GB 1049946 4/1988

OTHER PUBLICATIONS

Matrix Synth, Akai EWV2000/EWI1000 Analog Synth Saxophone, posted on Jul. 2, 2014, [online], [site visited on Dec. 12, 2017]. Available from Internet, URL: <http://www.matrixsynth.com/2014/07/akai-ewv2000ewi1000-analog-synth.html> (Year: 2014).*

(Continued)

Primary Examiner — Sheryl Lane
Assistant Examiner — Samantha N Wood
(74) *Attorney, Agent, or Firm* — JCIPRNET

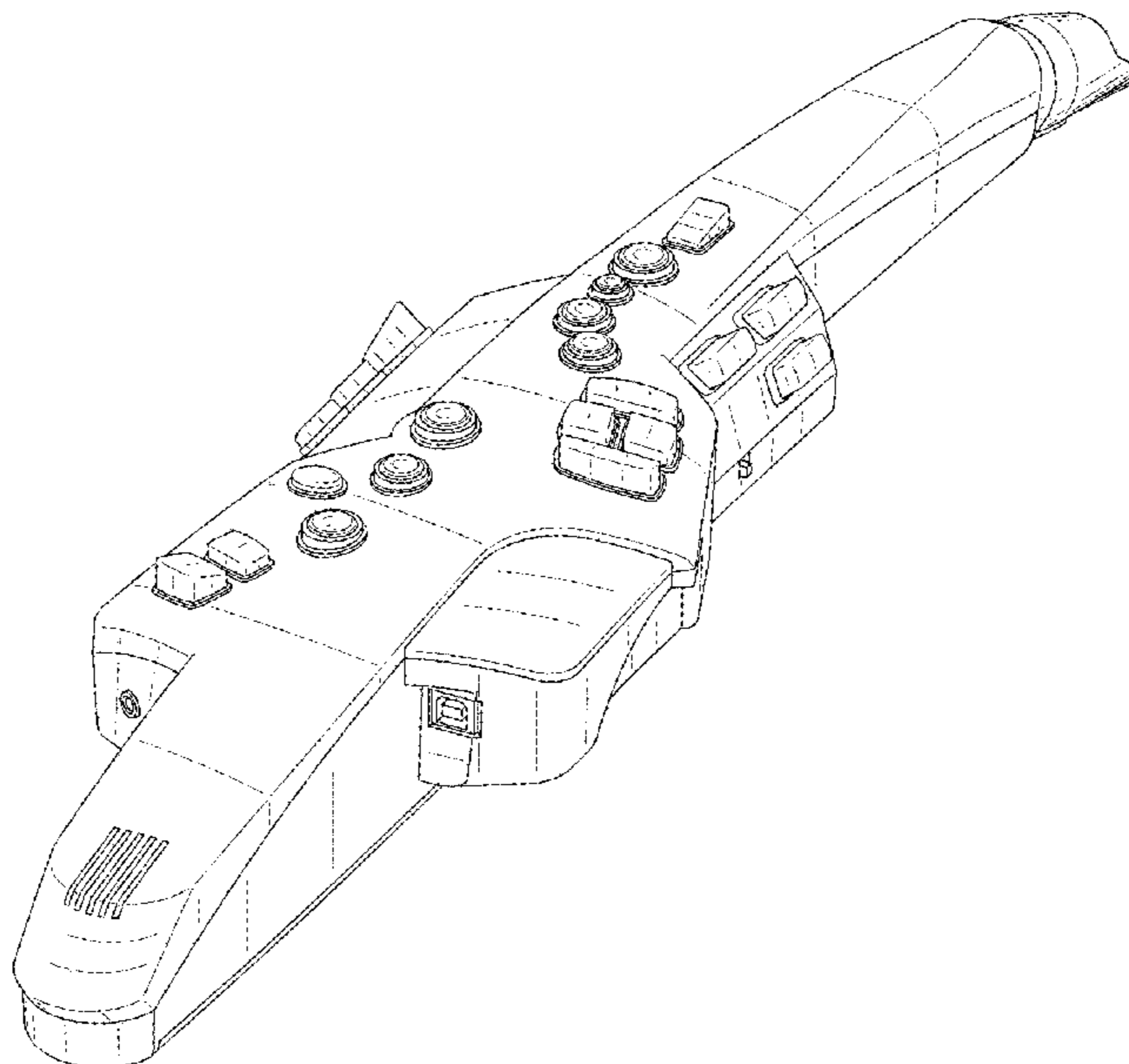
(57) **CLAIM**

The ornamental design for an electronic wind instrument, as shown and described.

DESCRIPTION

FIG. 1 is a perspective view of an electronic wind instrument showing our new design;
FIG. 2 is a front view thereof;
FIG. 3 is a rear view thereof;
FIG. 4 is a left side view thereof;
FIG. 5 is a right side view thereof;
FIG. 6 is a top view thereof; and,
FIG. 7 is a bottom view thereof.

1 Claim, 6 Drawing Sheets



(56)

References Cited

OTHER PUBLICATIONS

Amazon, Akai Professional EWI USB, first available on Jul. 16, 2004, [online], [site visited on Dec. 12, 2017]. Available from Internet, URL: https://www.amazon.com/Akai-Professional-EWI-USB-Electronic/dp/B001MTKAD0/ref=sr_1_12?ie=UTF8&gid=1513113424&sr=8-12&keywords=aerophone (Year: 2004).*

Amazon, Nuvo jSax Plastic Saxophone, posted on Jun. 5, 2016, [online], [site visited on Dec. 12, 2017]. Available from Internet, URL: https://www.amazon.com/Nuvo-jSax-Plastic-Saxophone-Black/dp/B01E5C1SL8/ref=sr_1_7?ie=UTF8&gid=1513113876&sr=8-7&keywords=venova (Year: 2016).*

Akai Professional, "EWI5000—Electronic Wind Instrument," Retrieved on Nov. 8, 2016, Available at: <http://www.akaipro.com/product/ewi-5000>.

Akai Professional, "EWI5000—Electronic Wind Instrument," Retrieved on Oct. 2016, Available at: <http://ewi.akai-projp/ewi5000/>.

* cited by examiner

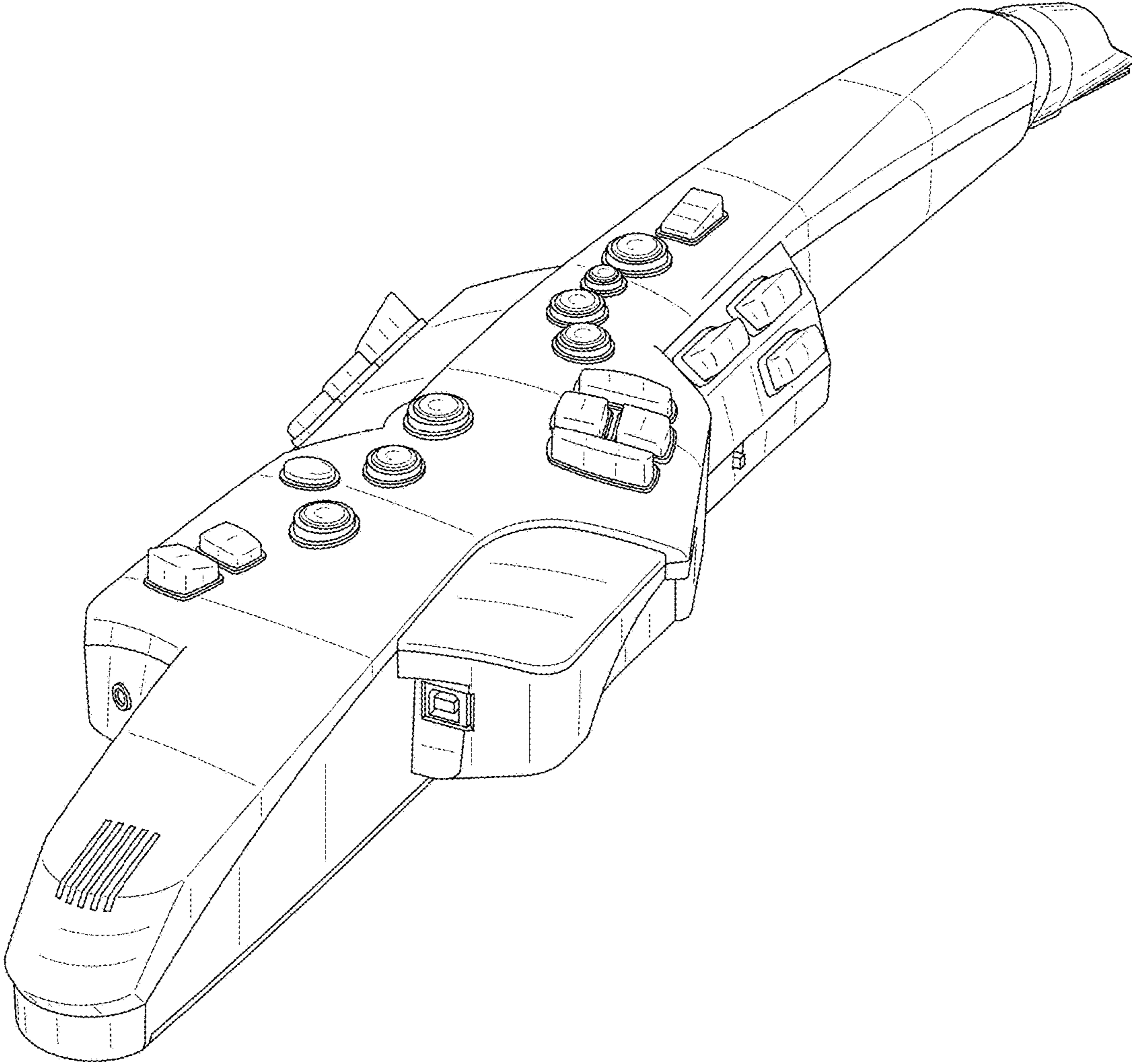


FIG. 1

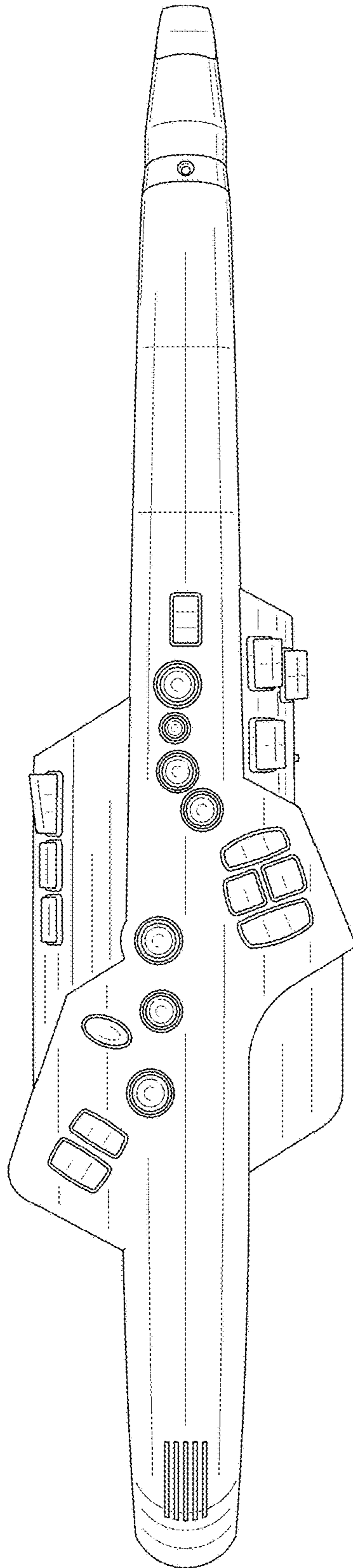


FIG. 2

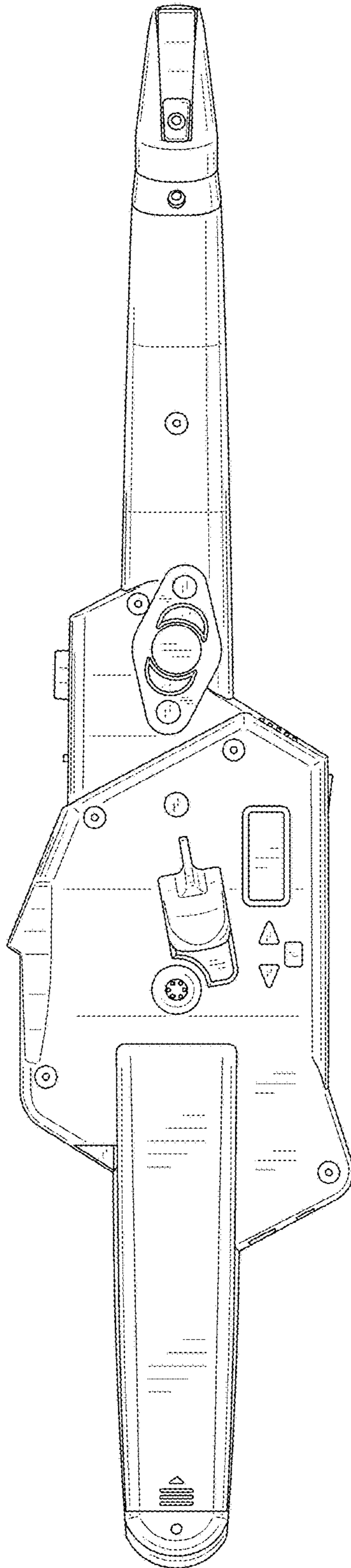


FIG. 3

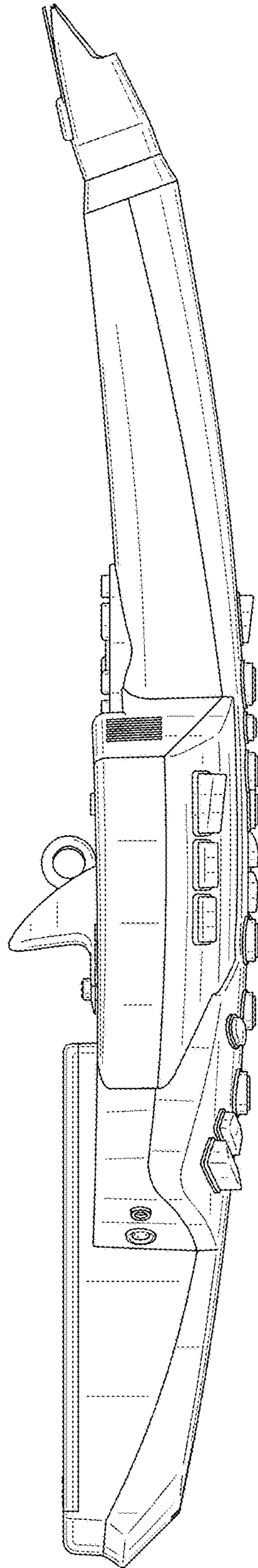


FIG. 4

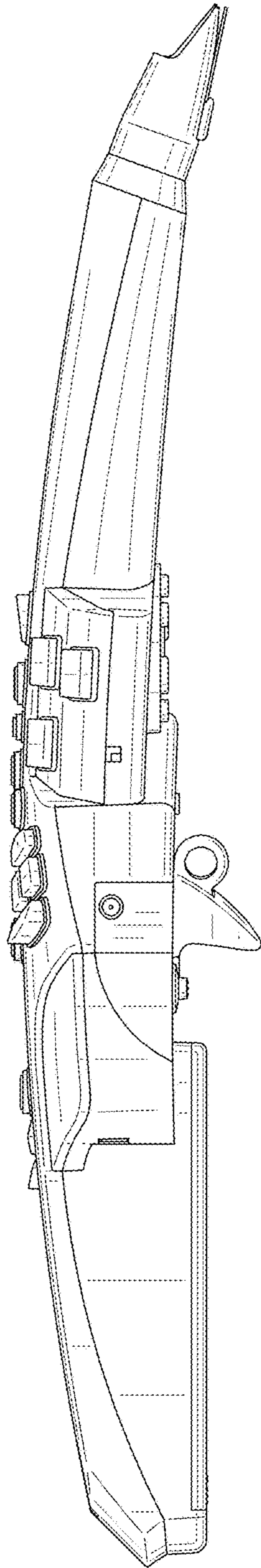


FIG. 5

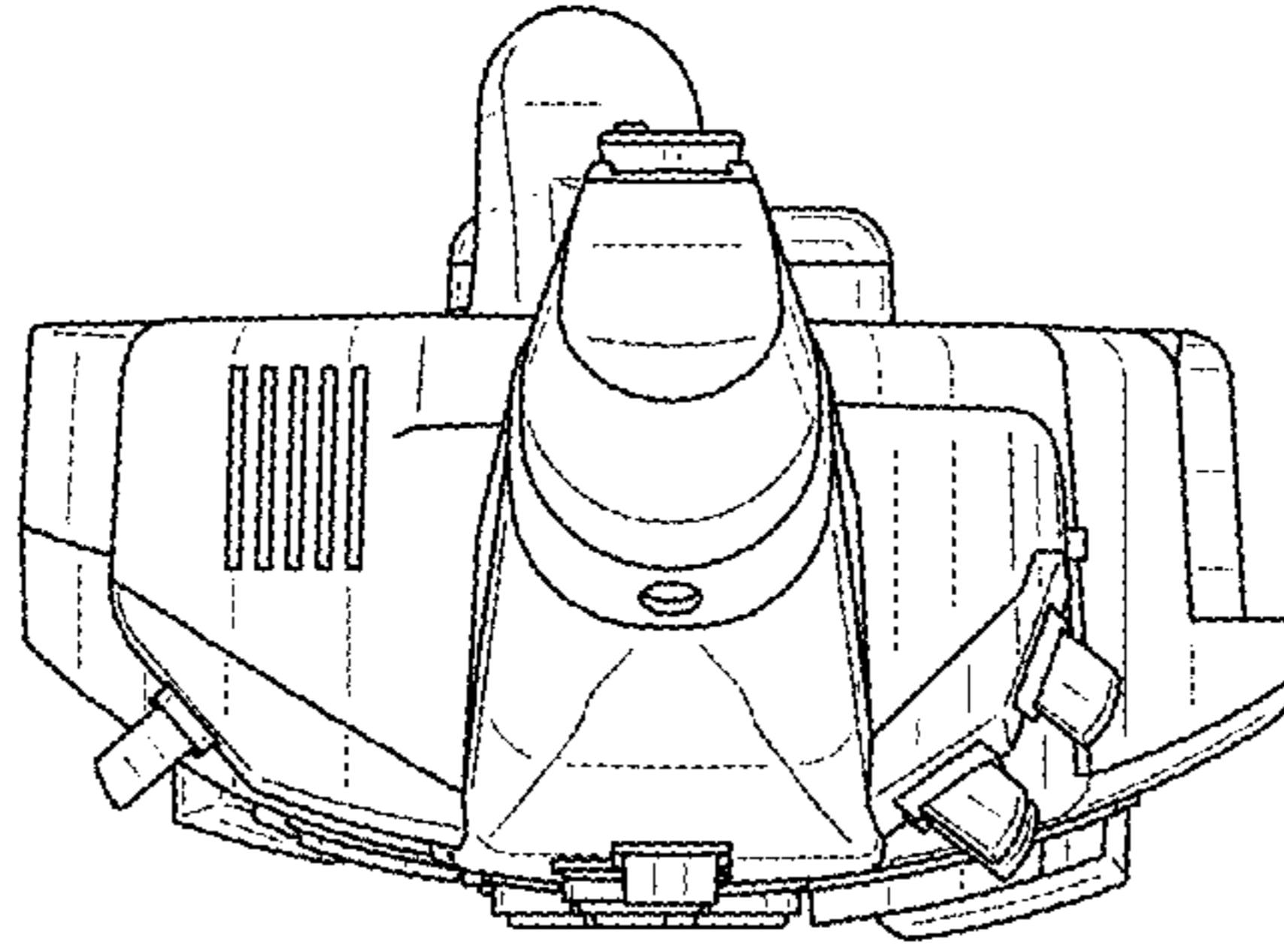


FIG. 6

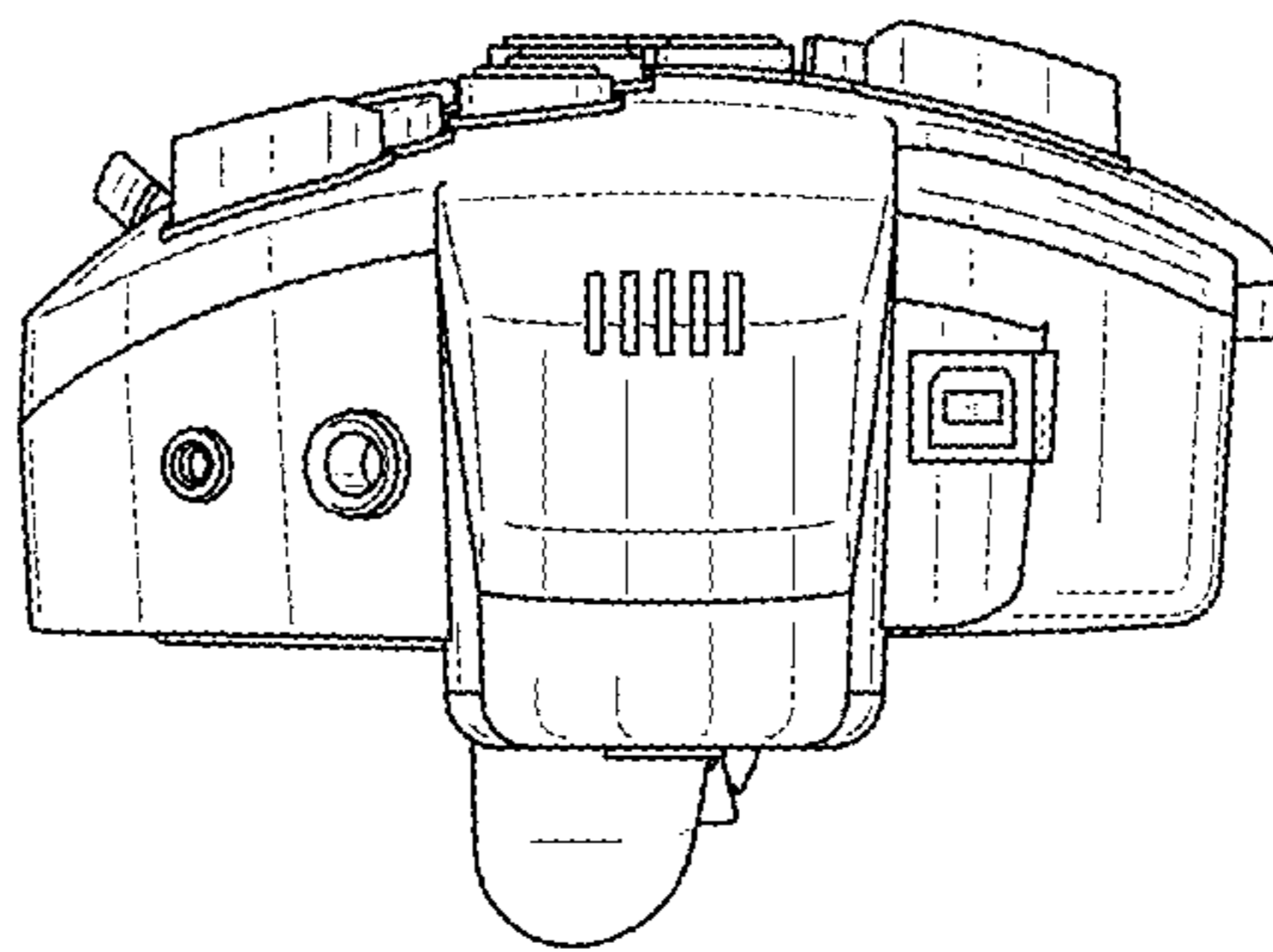


FIG. 7