



US00D823927S

(12) **United States Design Patent**
Hatcher et al.

(10) **Patent No.:** **US D823,927 S**

(45) **Date of Patent:** **** Jul. 24, 2018**

(54) **BASE FOR A CAMERA MOUNT**

(71) Applicant: **Axon Enterprise, Inc.**, Scottsdale, AZ (US)

(72) Inventors: **Jonathan R. Hatcher**, Phoenix, AZ (US); **Craig R. Williams**, Phoenix, AZ (US); **Kevin Walsh**, Scottsdale, AZ (US); **Nathan A. Patulski**, Scottsdale, AZ (US)

(73) Assignee: **AXON ENTERPRISE, INC.**, Scottsdale, AZ (US)

(**) Term: **15 Years**

(21) Appl. No.: **29/612,513**

(22) Filed: **Aug. 1, 2017**

(51) **LOC (11) Cl.** **16-05**

(52) **U.S. Cl.**
USPC **D16/242**

(58) **Field of Classification Search**
USPC D16/219, 237-250; D14/224, 229, 238, D14/251, 447, 451, 457; D8/354, 355, D8/363, 373, 382, 383, 394, 395, 396
(Continued)

(56) **References Cited**

U.S. PATENT DOCUMENTS

D544,787 S * 6/2007 Dash D8/395
D564,006 S * 3/2008 Stephens D16/208
(Continued)

OTHER PUBLICATIONS

Quick Clip Hat Mount Bag Belt Clip. [online] Published on Feb. 5, 2015. Retrieved Apr. 24, 2018 from URL: <https://www.tvc-mall.com/details/quick-clip-hat-mount-bag-belt-clip-for-gopro-hero-camera-3-3-2-skuhhc-3916.html>. *

(Continued)

Primary Examiner — Vy N Koenig

(74) *Attorney, Agent, or Firm* — Lawrence Letham; Andrew Graham; Mitch Chase

(57) **CLAIM**

The ornamental design for a base for a camera mount, as shown and described.

DESCRIPTION

FIG. 1 is a top, front and left side perspective view of a base for a camera mount showing our new design, with the bottom of the base oriented downward toward the figure number;

FIG. 2 is a front view of the base for a camera mount with the bottom oriented downward with respect to the page;

FIG. 3 is a rear view of the base for a camera mount with the bottom of the base oriented downward;

FIG. 4 is a left view of the base for a camera mount with the bottom oriented downward, the right view being a mirror image thereof;

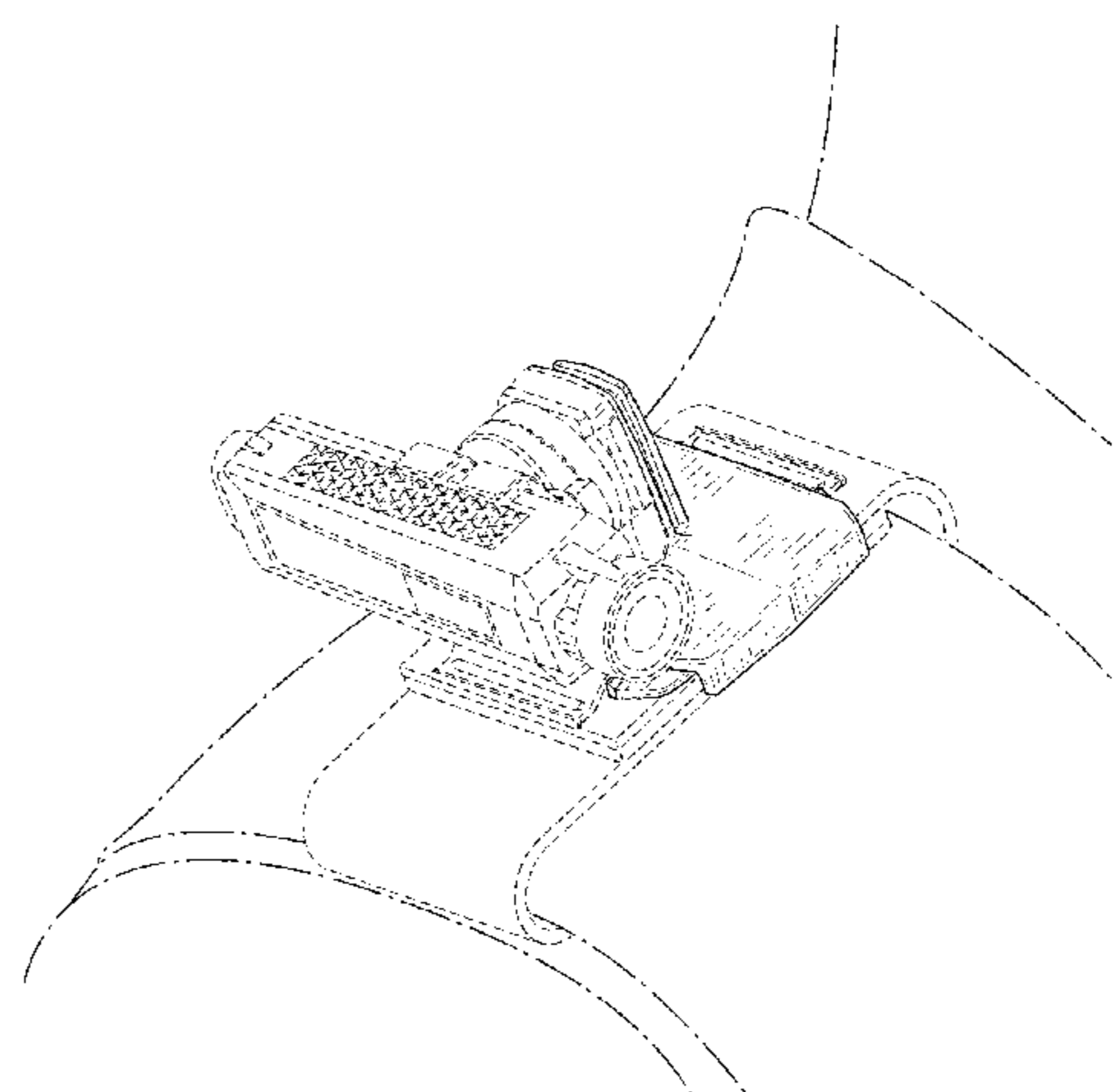
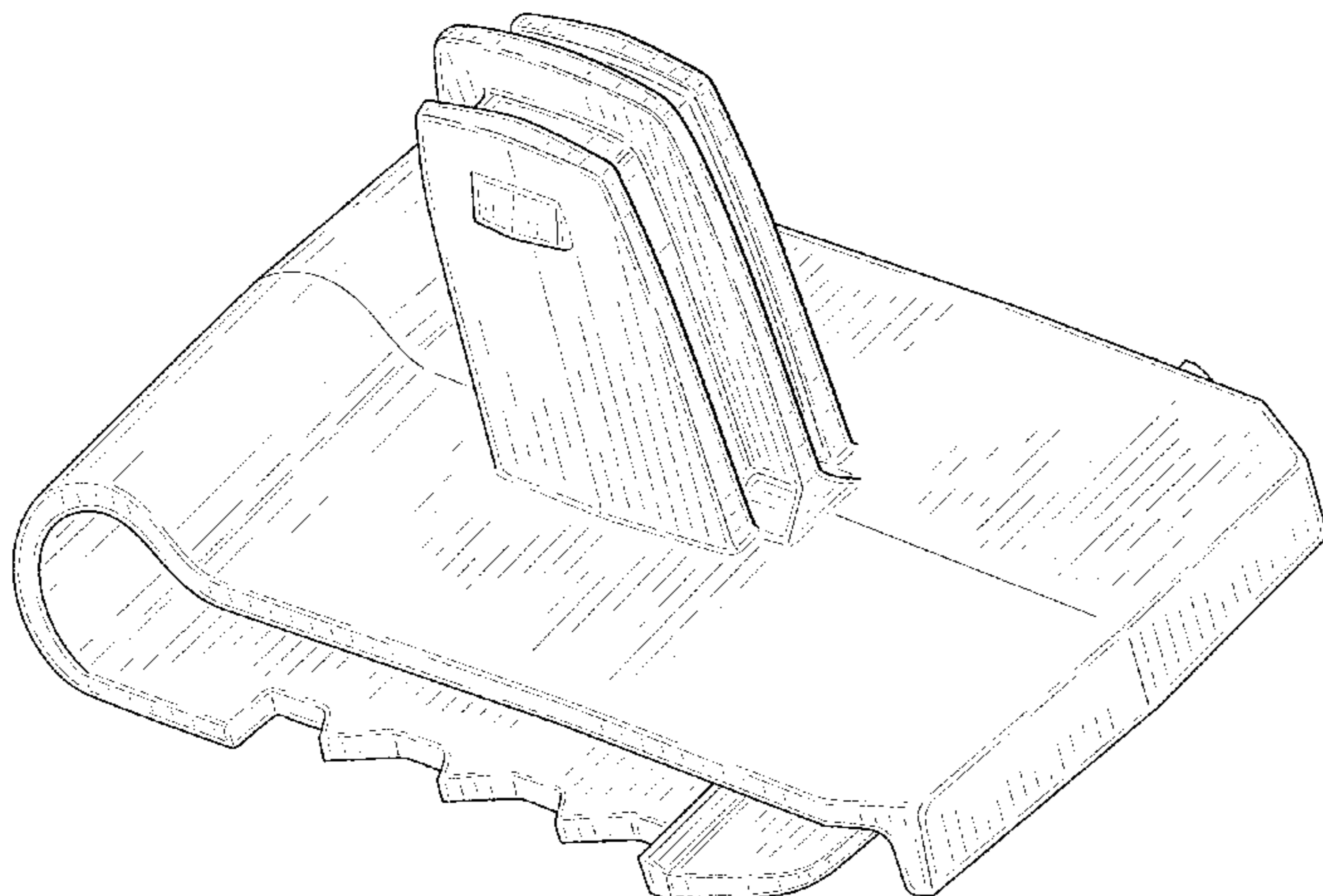
FIG. 5 is a top view of the base for a camera mount with the rear oriented downward;

FIG. 6 is a bottom view of the base for a camera mount with the rear oriented downward;

FIG. 7 is a perspective view of the base for a camera mount coupled to an epaulet, the perspective view showing the top, and the front of the base for a camera mount, the left side of the base coupled to a camera mount and obscured by the camera mount, the camera mount coupled to a camera; and,

FIG. 8 is a perspective view of the base for a camera mount coupled to another epaulet, the perspective view showing the top, and the front of the base for a camera mount, the left side of the base coupled to a camera mount and obscured by the camera mount, the camera mount coupled to a camera. The dashed lines in the drawing show environment structure and form no part of the claimed design.

1 Claim, 7 Drawing Sheets



(58) **Field of Classification Search**

CPC G03B 17/56; G03B 17/561–17/568; G02B
 7/00–7/002; H04N 5/2253–5/2254; F16M
 11/06–11/10; F16M 11/14; A45F 5/10
 See application file for complete search history.

(56) **References Cited**

U.S. PATENT DOCUMENTS

D564,559	S *	3/2008	Stephens	D16/208
D633,376	S *	3/2011	Heath	D8/383
D659,526	S *	5/2012	Boucher-Gagne	D8/395
D689,114	S *	9/2013	Green	D16/242
D710,836	S *	8/2014	Wengreen	D14/238
D712,951	S *	9/2014	Chou	D16/202
D715,630	S *	10/2014	Szymanski	D8/395
D732,927	S *	6/2015	Booth	D8/349
D739,387	S *	9/2015	Fujioka	D14/224
9,596,926	B1 *	3/2017	Volmer	A45F 5/02
D800,823	S *	10/2017	Druker	D16/242
D810,179	S *	2/2018	Harms	D16/237
2003/0101551	A1 *	6/2003	Levesque	A44B 99/00
				24/545
2007/0264169	A1 *	11/2007	Chen	A61L 9/12
				422/124

OTHER PUBLICATIONS

Action Camera Backpack Clip Mount Rucksack. [online] Published on May 16, 2016. Retrieved Apr. 24, 2018 from URL: <https://www.amazon.co.uk/Fantaseal%C2%AE-Backpack-Rucksack-SJ4000WIFI-GoPro-Like/dp/B01FQGTBRK>. *

* cited by examiner

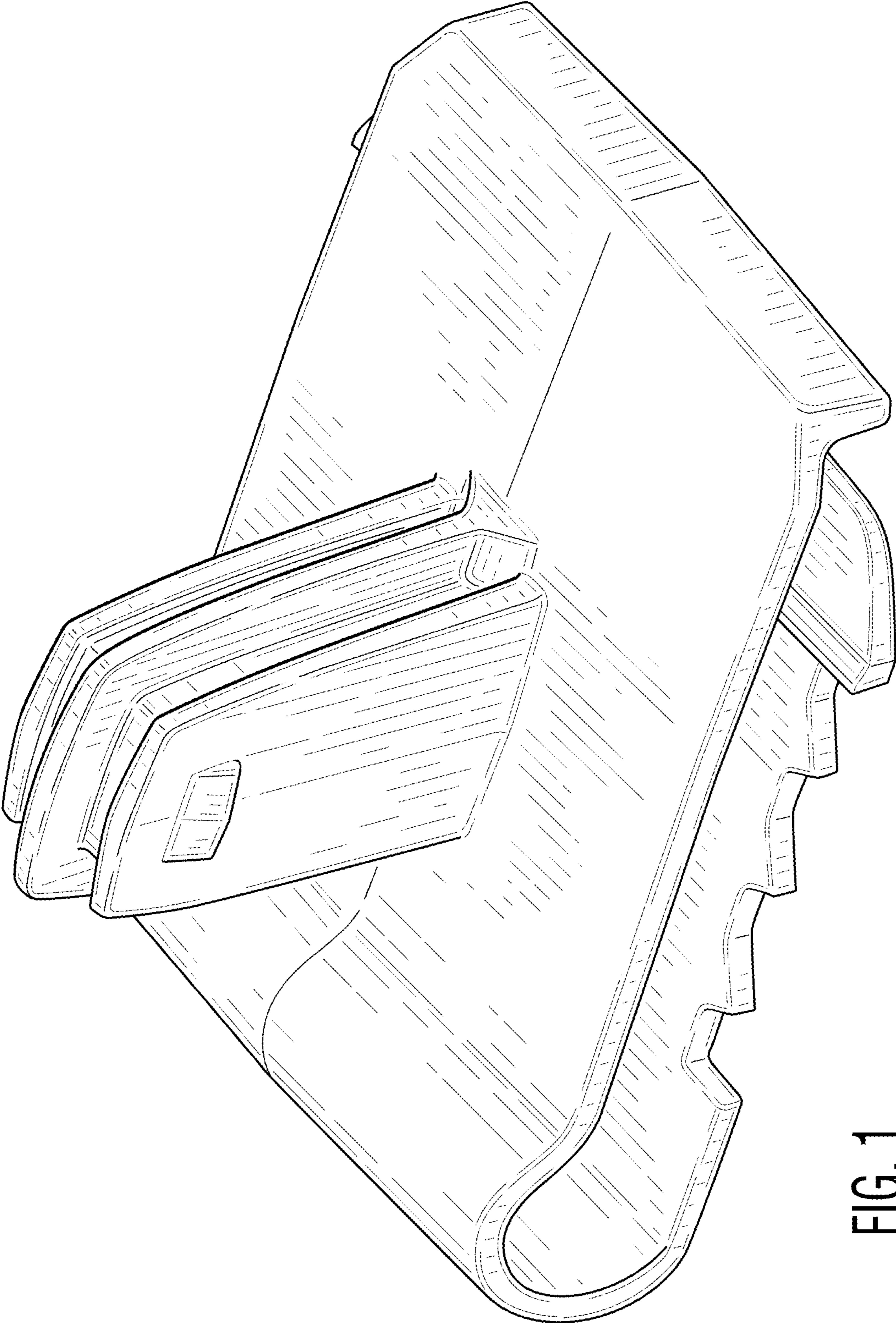


FIG. 1

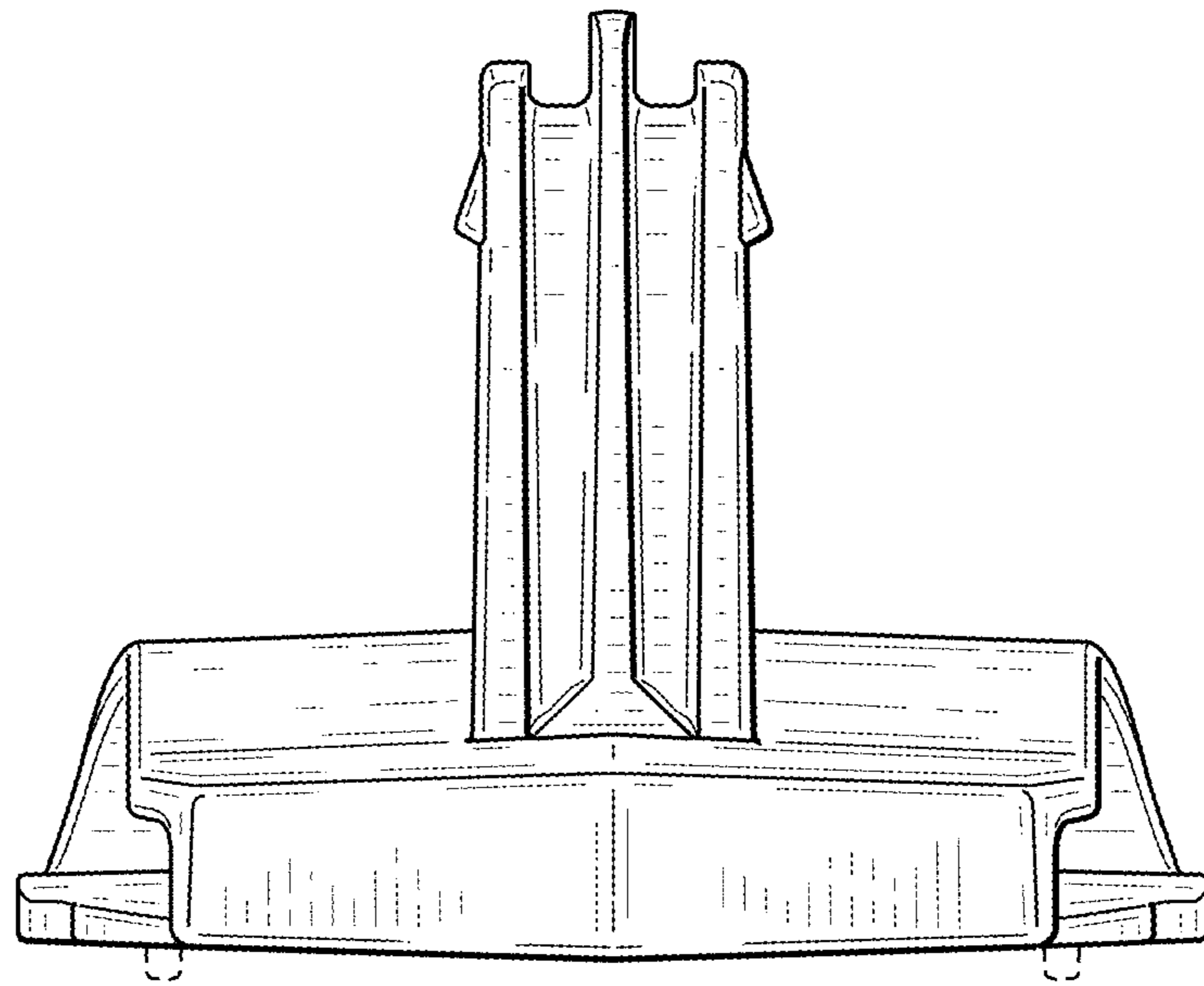


FIG. 2

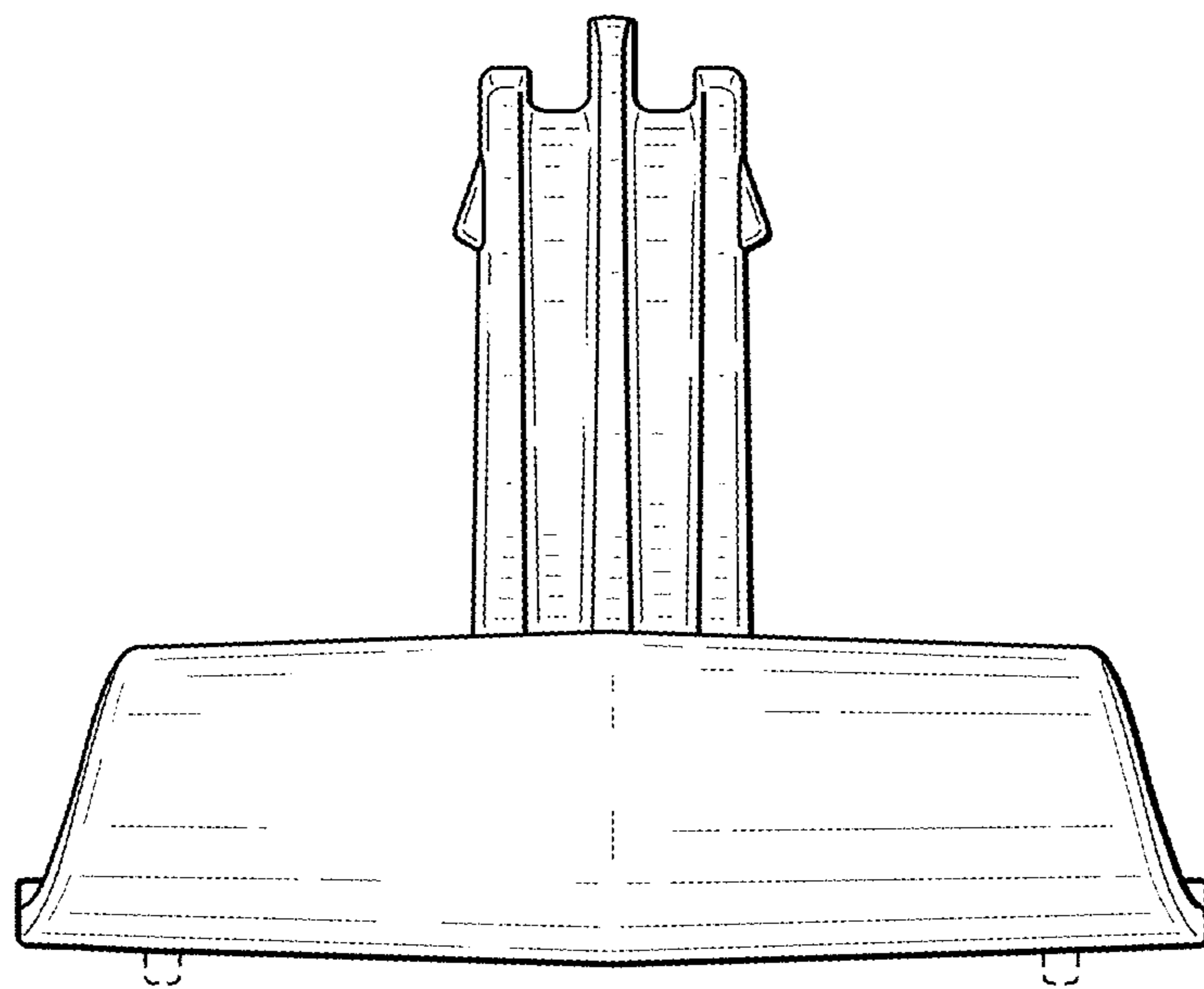


FIG. 3

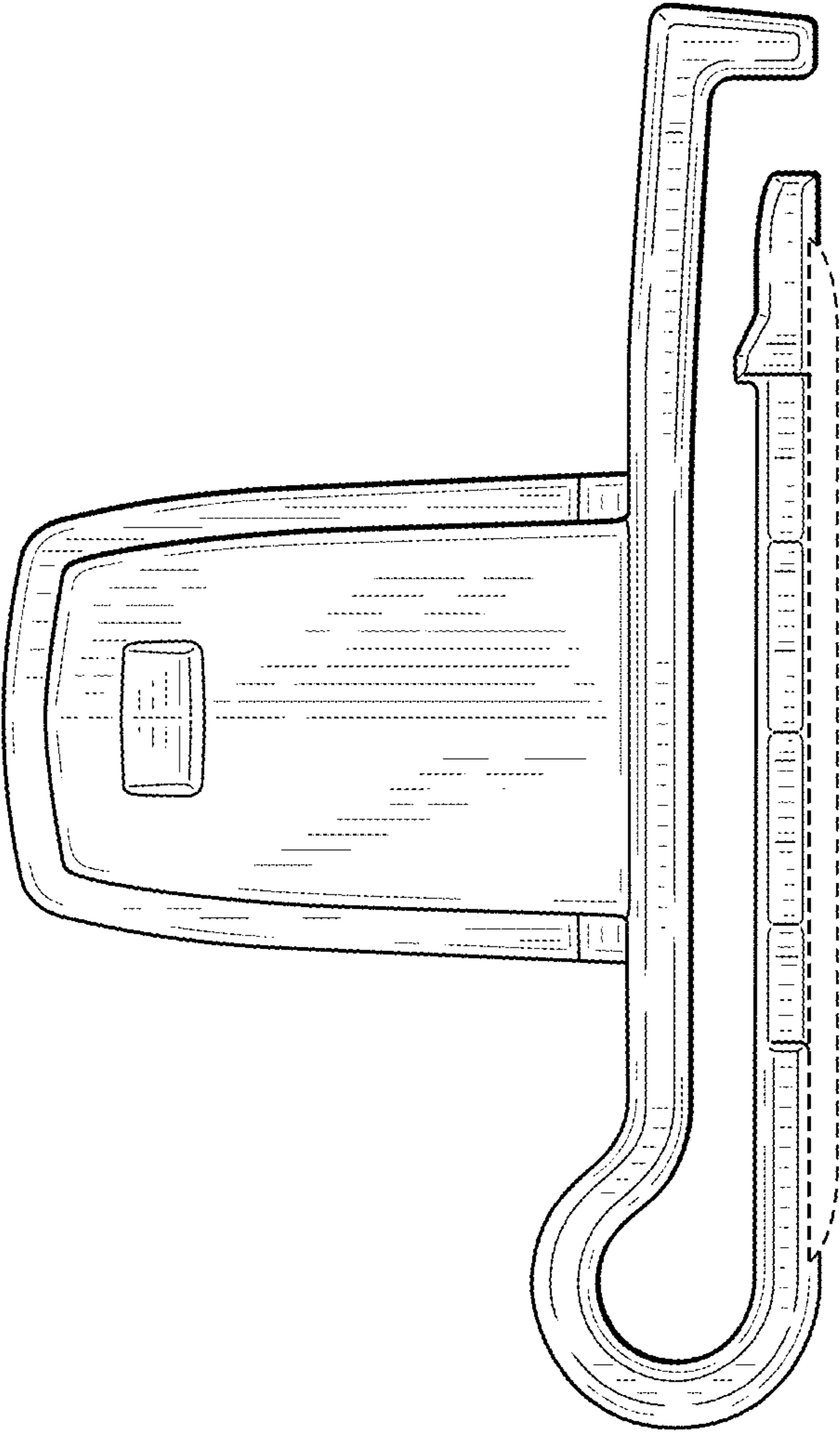


FIG. 4

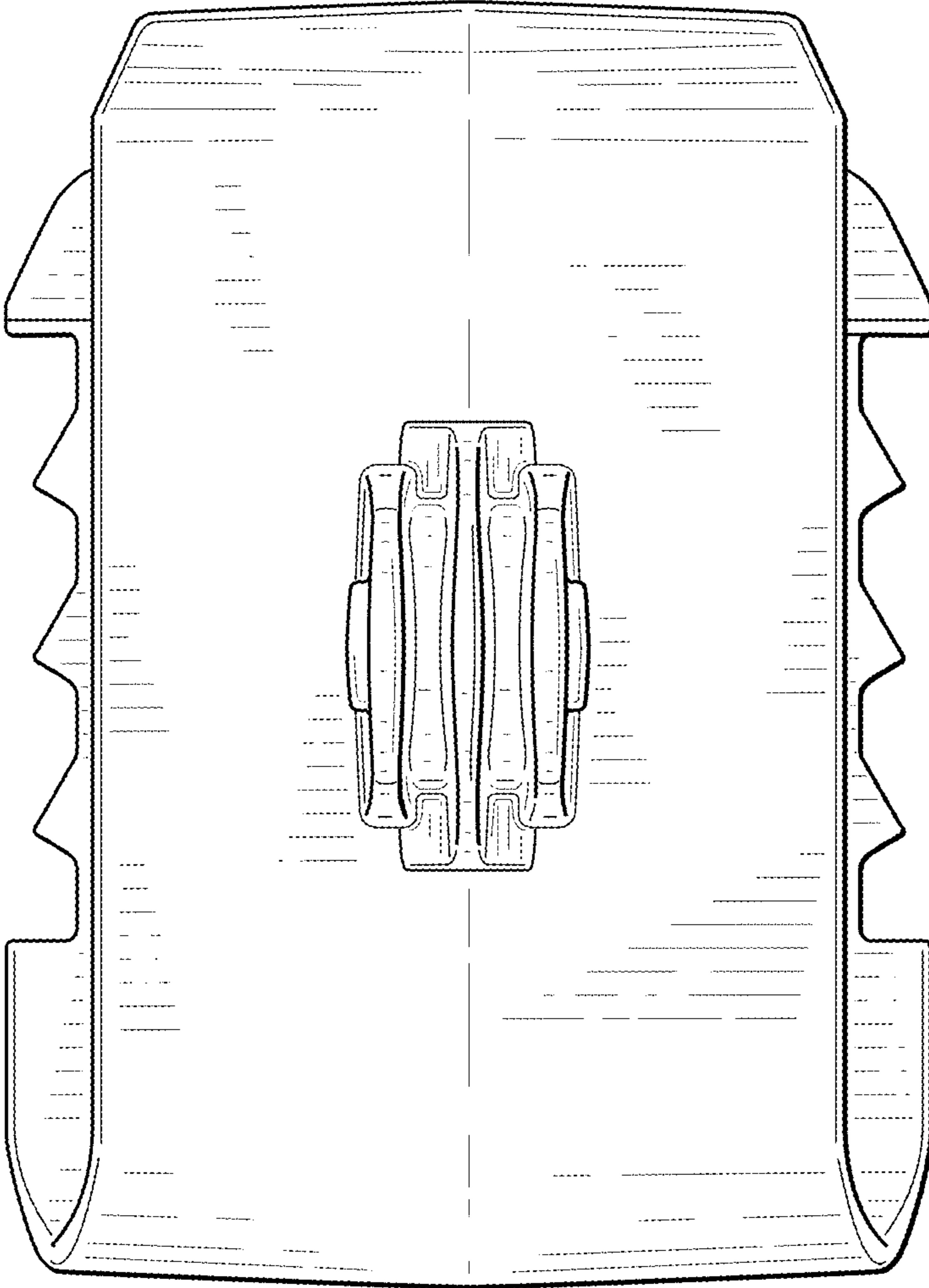


FIG. 5

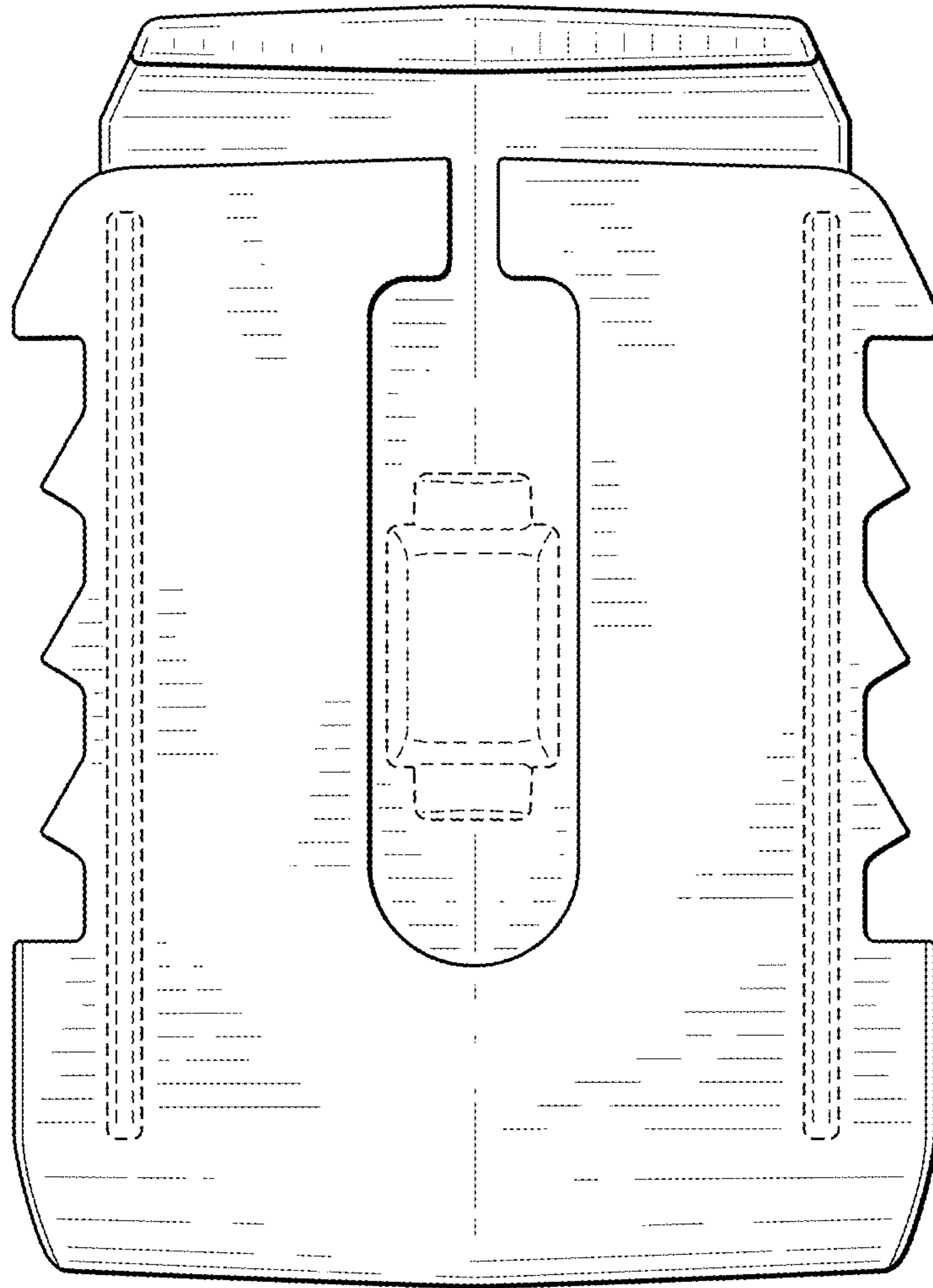


FIG. 6

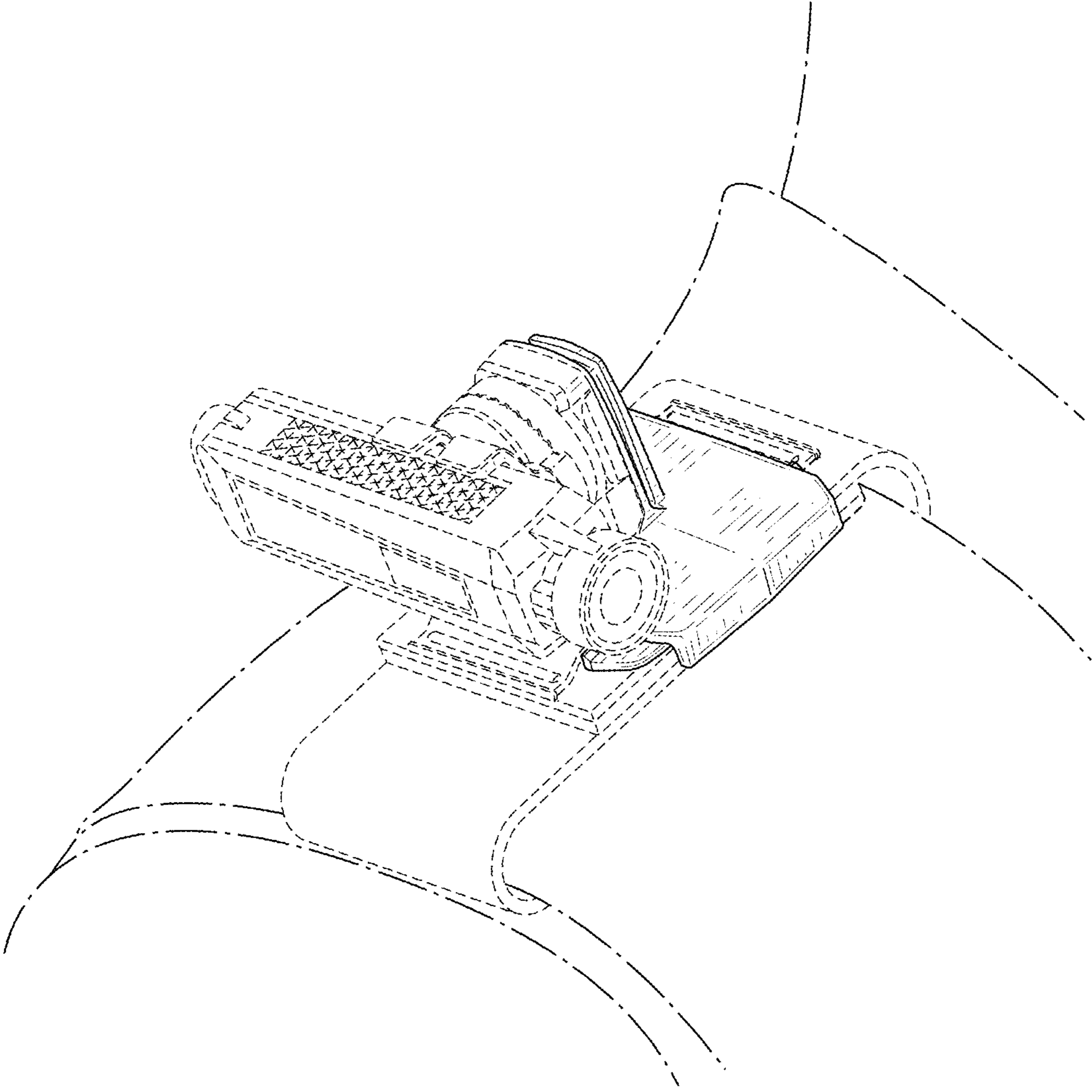


FIG. 7

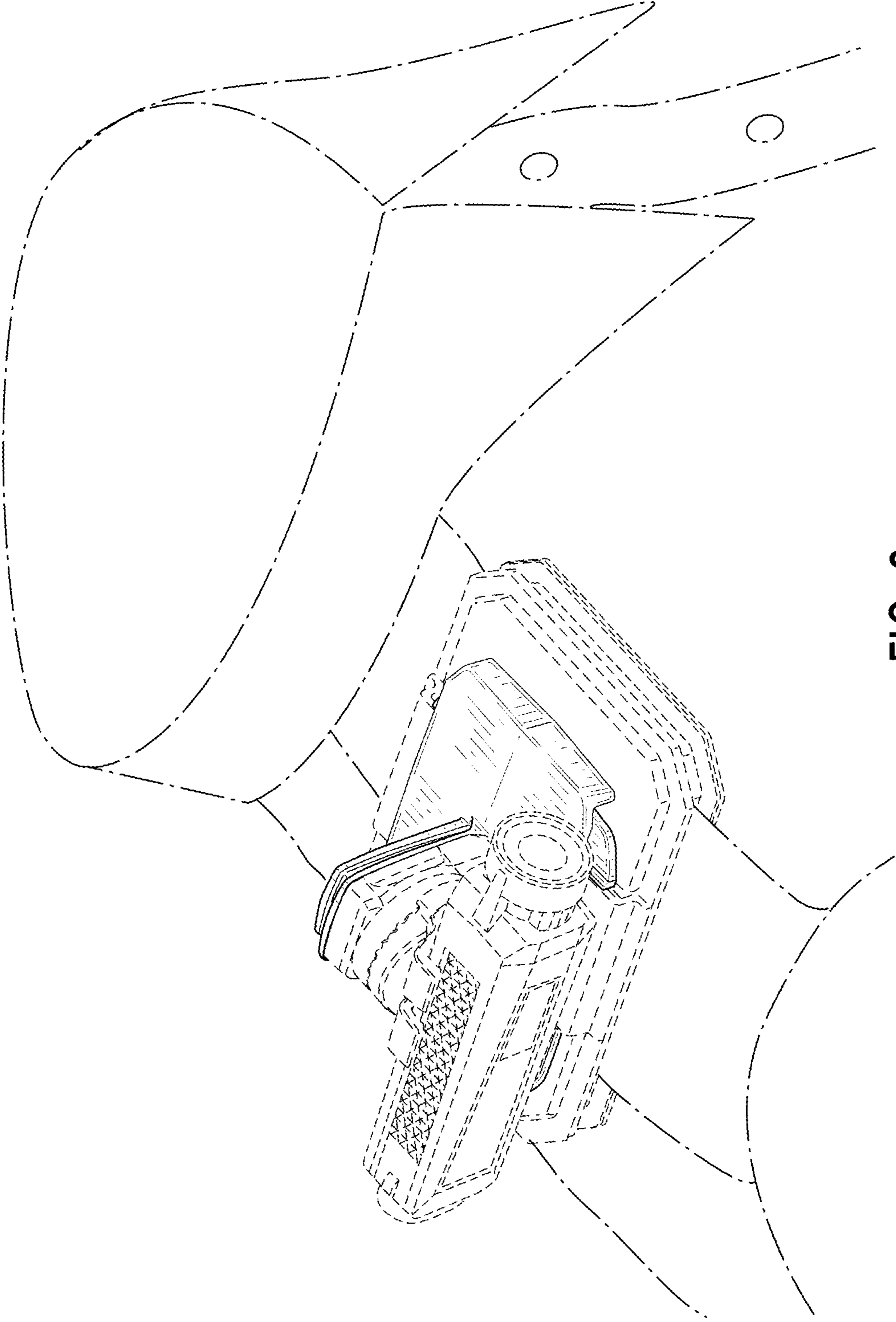


FIG. 8