



US00D823926S

(12) **United States Design Patent** (10) **Patent No.:** **US D823,926 S**  
**Grover et al.** (45) **Date of Patent:** **\*\* Jul. 24, 2018**

(54) **BASE FOR A CAMERA MOUNT**

(71) Applicant: **Axon Enterprise, Inc.**, Scottsdale, AZ (US)

(72) Inventors: **Benjamin A. Grover**, Phoenix, AZ (US); **Johnathan R. Hatcher**, Phoenix, AZ (US); **Craig R. Williams**, Phoenix, AZ (US); **Kevin Walsh**, Scottsdale, AZ (US); **Nathan A. Patulski**, Scottsdale, AZ (US)

(73) Assignee: **AXON ENTERPRISE, INC.**, Scottsdale, AZ (US)

(\*\*) Term: **15 Years**

(21) Appl. No.: **29/612,509**

(22) Filed: **Aug. 1, 2017**

(51) **LOC (11) Cl.** ..... **16-05**

(52) **U.S. Cl.**  
USPC ..... **D16/242**

(58) **Field of Classification Search**  
USPC ..... D16/219, 237-250; D14/224, 229, 238, D14/251, 447, 451, 457; D8/354, 355, D8/363, 373, 382, 383, 394, 395, 396  
CPC ..... G03B 17/56; G03B 17/561-17/568; G02B 7/00-7/002; H04N 5/2253-5/2254; F16M 11/06-11/10; F16M 11/14; A45F 5/10  
See application file for complete search history.

(56) **References Cited**

U.S. PATENT DOCUMENTS

D377,600 S \* 1/1997 Sacks ..... D8/373  
D411,209 S \* 6/1999 Richter ..... D14/253  
D441,277 S \* 5/2001 Bosgoed ..... D8/373

(Continued)

OTHER PUBLICATIONS

Axon Products and Accessories. [online] Retrieved Apr. 24, 2018 from URL: <https://www.axon.com/products>.\*

(Continued)

*Primary Examiner* — Vy N Koenig

(74) *Attorney, Agent, or Firm* — Lawrence Letham; Mitch Chase

(57) **CLAIM**

The ornamental design for a base for a camera mount, as shown and described.

**DESCRIPTION**

FIG. 1 is a top, front and left side perspective view of a base for a camera mount showing our new design, with the bottom of the base oriented downward with respect to the page;

FIG. 2 is a left side view of the base with the bottom oriented downward;

FIG. 3 is a right view of the base with the bottom oriented downward;

FIG. 4 is a front view of the base with the bottom oriented downward, the rear view being a mirror image thereof;

FIG. 5 is a top view of the base with the left side oriented downward;

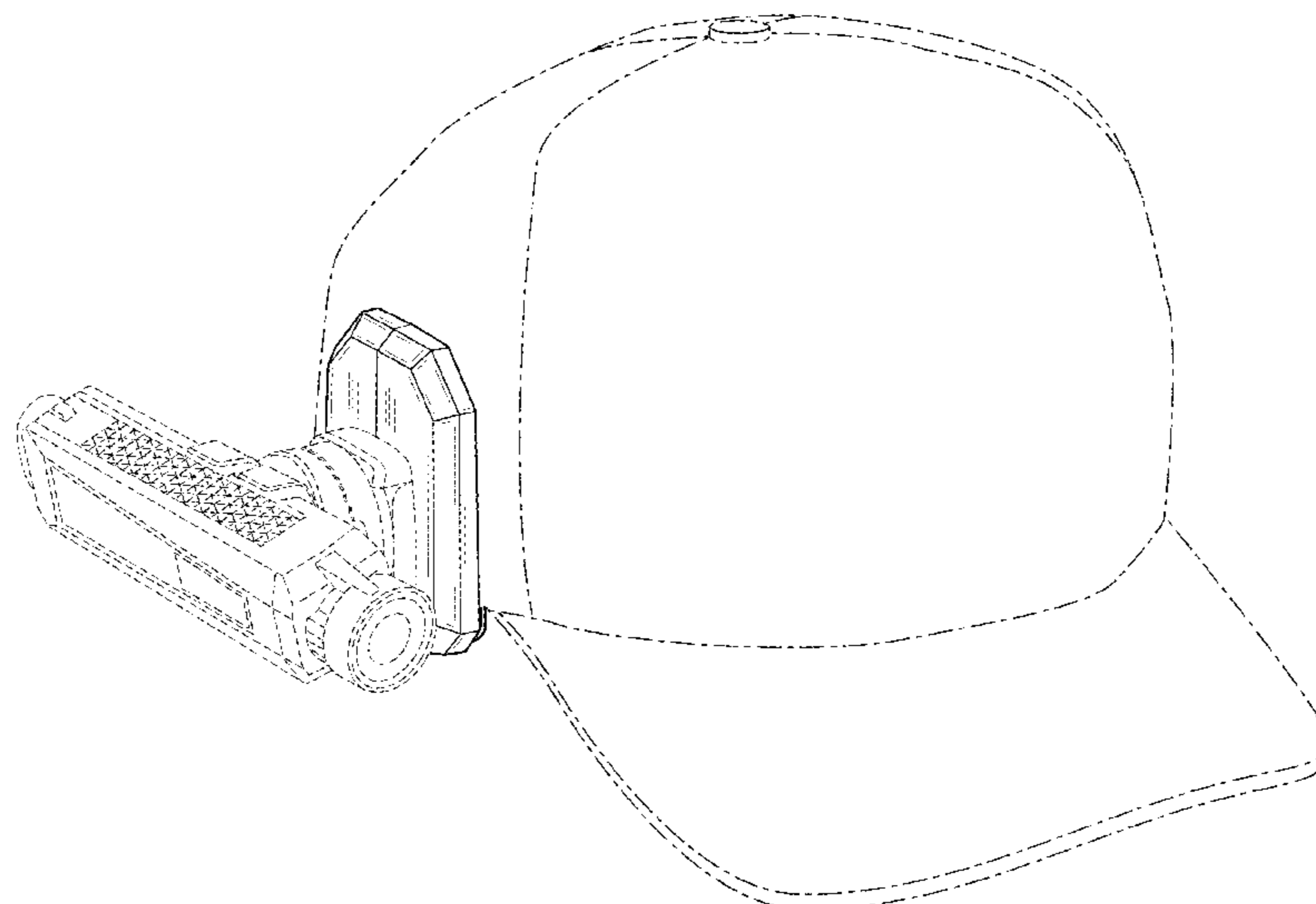
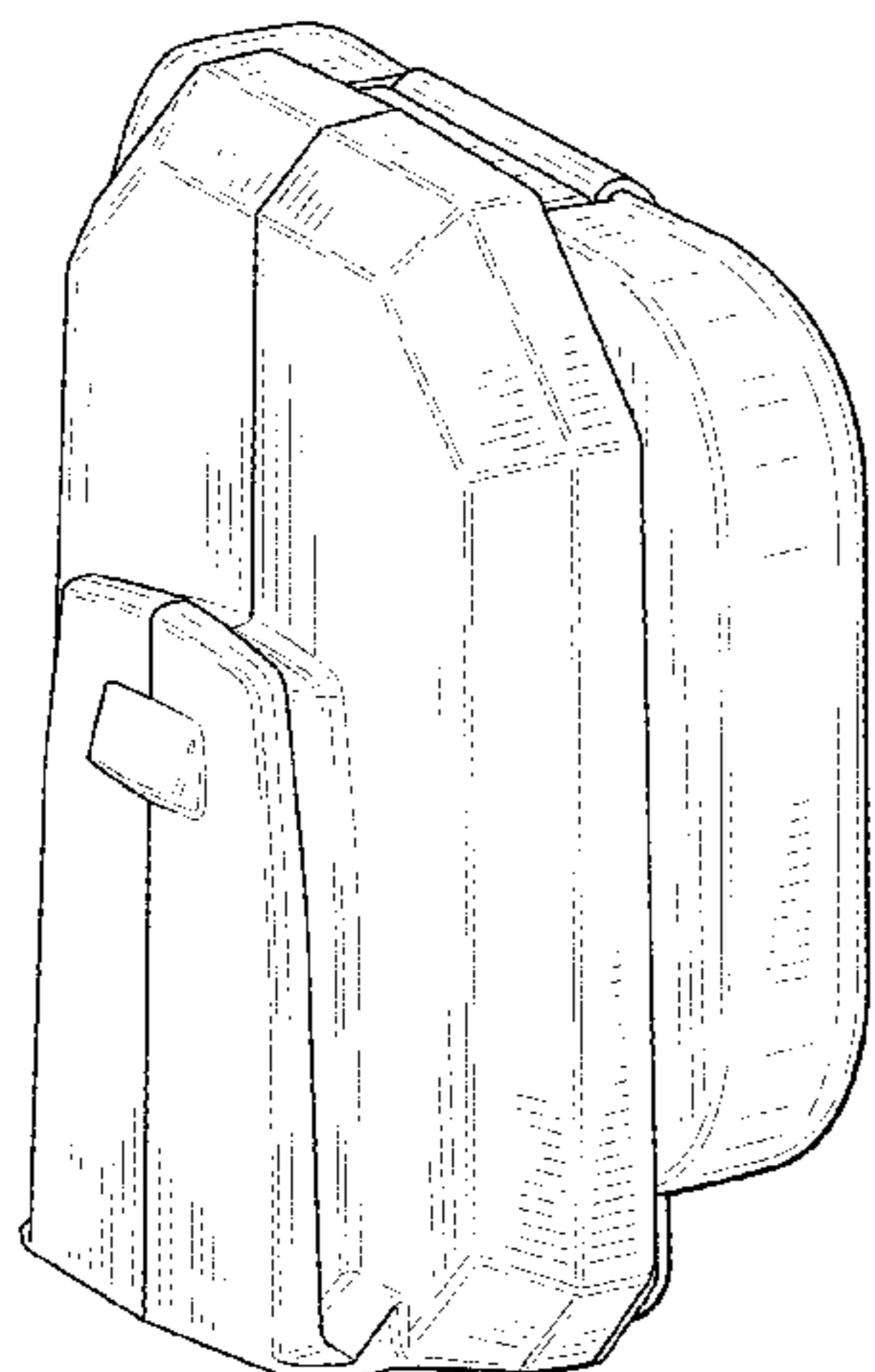
FIG. 6 is a bottom view of the base with the right side oriented downward;

FIG. 7 is a perspective view of the base showing the left side, the top, and the front of the base, a camera mount coupled to the left side of the base, the camera mount obscuring a portion of the left side; and,

FIG. 8 is a perspective view of the base coupled to a cap, the perspective view showing the front, the left side, and the top of the base, the left side of the base coupled to a camera mount and the camera mount coupled to a camera, the camera mount obscuring a portion of the left side and the cap obscuring a portion of the top.

The dashed lines in the drawing show structure of the environment and form no part of the claimed design.

**1 Claim, 7 Drawing Sheets**



(56)

**References Cited**

U.S. PATENT DOCUMENTS

D564,006 S \* 3/2008 Stephens ..... D16/208  
D564,559 S \* 3/2008 Stephens ..... D16/208  
D628,615 S \* 12/2010 Siegel ..... D16/237  
D642,164 S \* 7/2011 Liner ..... D14/223  
D715,630 S \* 10/2014 Szymanski ..... D8/395  
D732,927 S \* 6/2015 Booth ..... D8/349  
D757,533 S \* 5/2016 Ormsbee ..... D8/395  
D795,844 S \* 8/2017 Harper ..... D14/223  
D796,945 S \* 9/2017 Stokeley ..... D8/395  
D800,823 S \* 10/2017 Druker ..... D16/242  
D810,179 S \* 2/2018 Harms ..... D16/237  
D813,656 S \* 3/2018 Kremer ..... D8/373  
2007/0264169 A1 \* 11/2007 Chen ..... A61L 9/12  
422/124  
2016/0223806 A1 \* 8/2016 Mochinushi ..... G02B 23/105  
2016/0369944 A1 \* 12/2016 Kremer ..... F16M 13/022

OTHER PUBLICATIONS

Police Body Cameras. Yes or No. [online] Published on Feb. 12, 2015. Retrieved Apr. 24, 2018 from URL: <https://policedeviance.wordpress.com/2015/02/12/police-body-cameras-yes-or-no/>.\*

\* cited by examiner

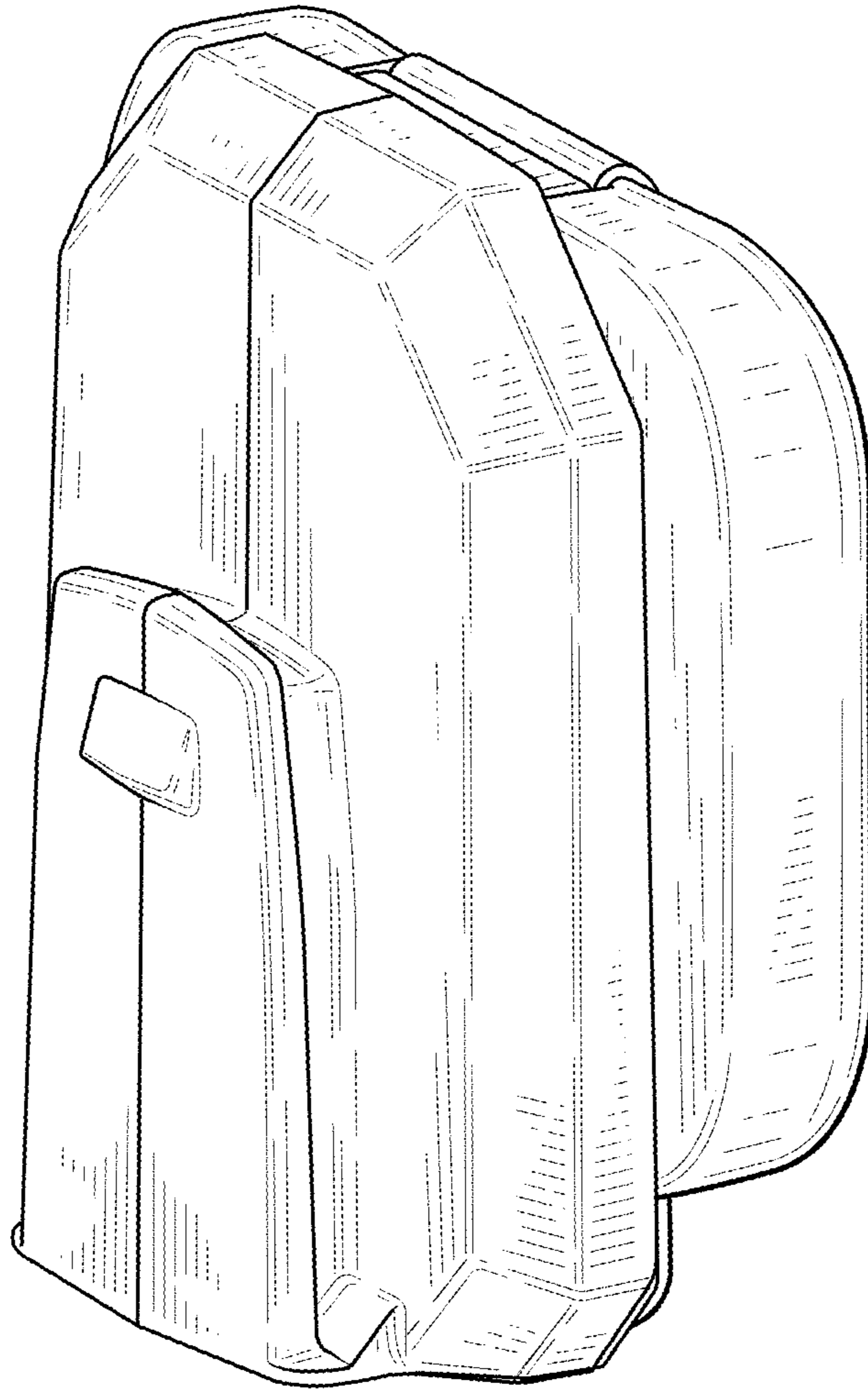


FIG. 1

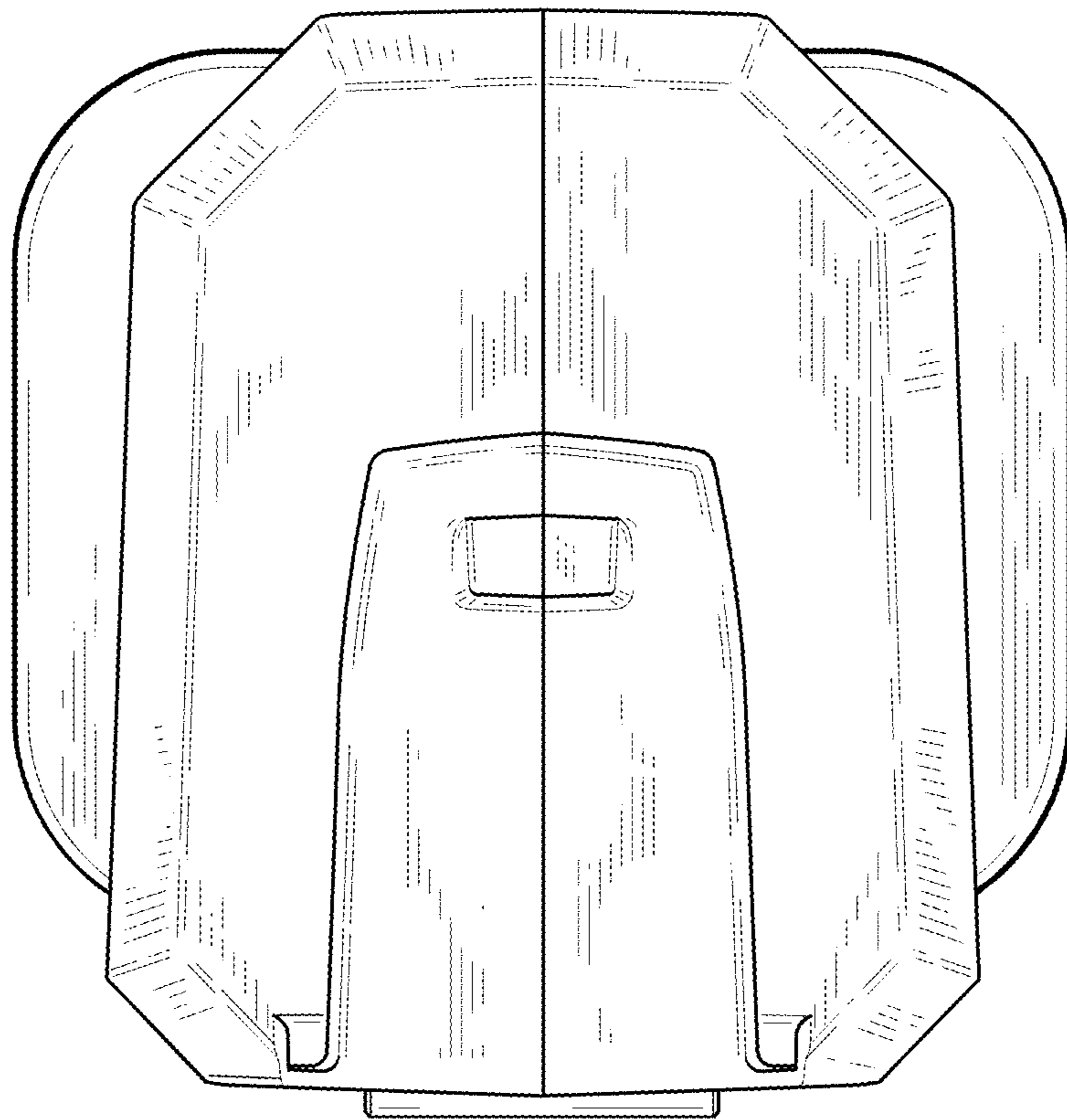


FIG. 2

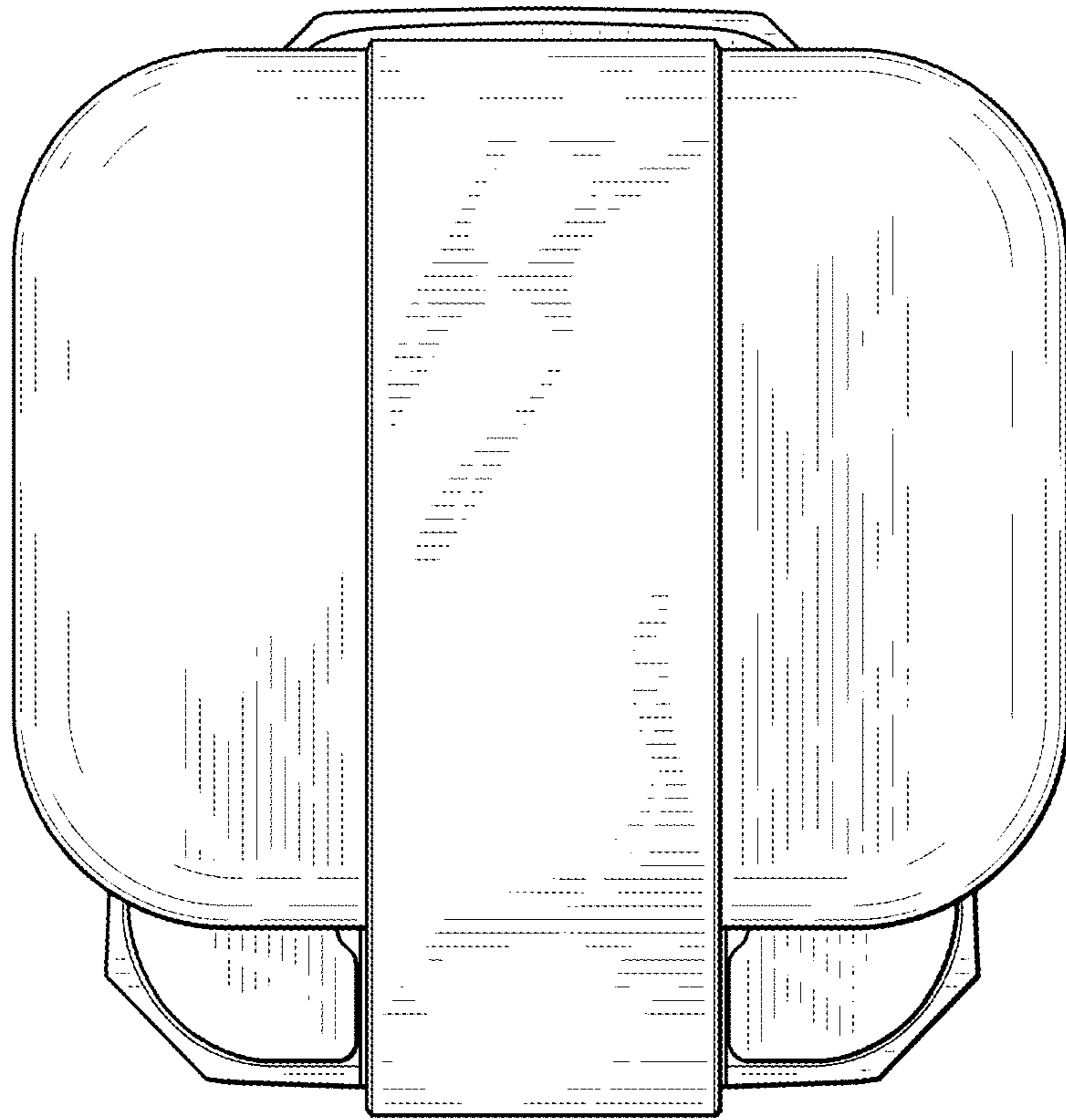


FIG. 3

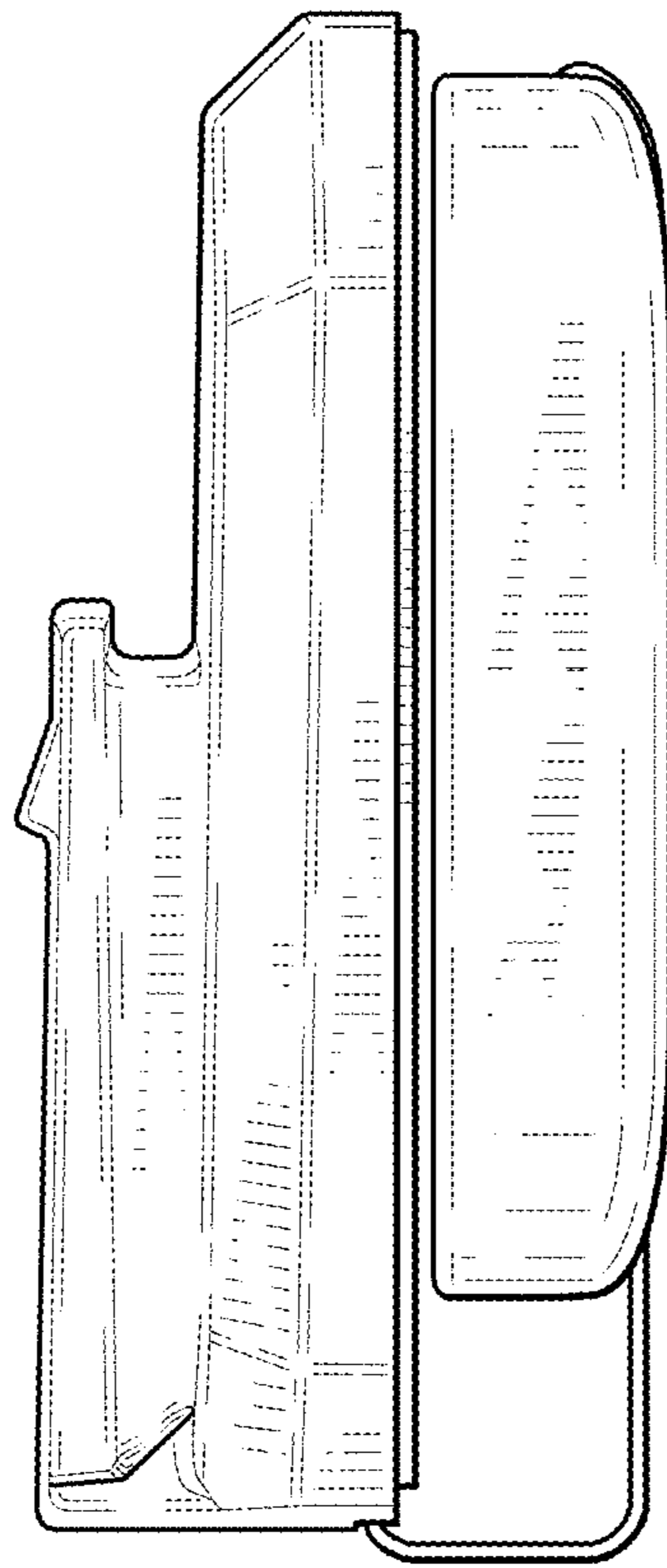


FIG. 4

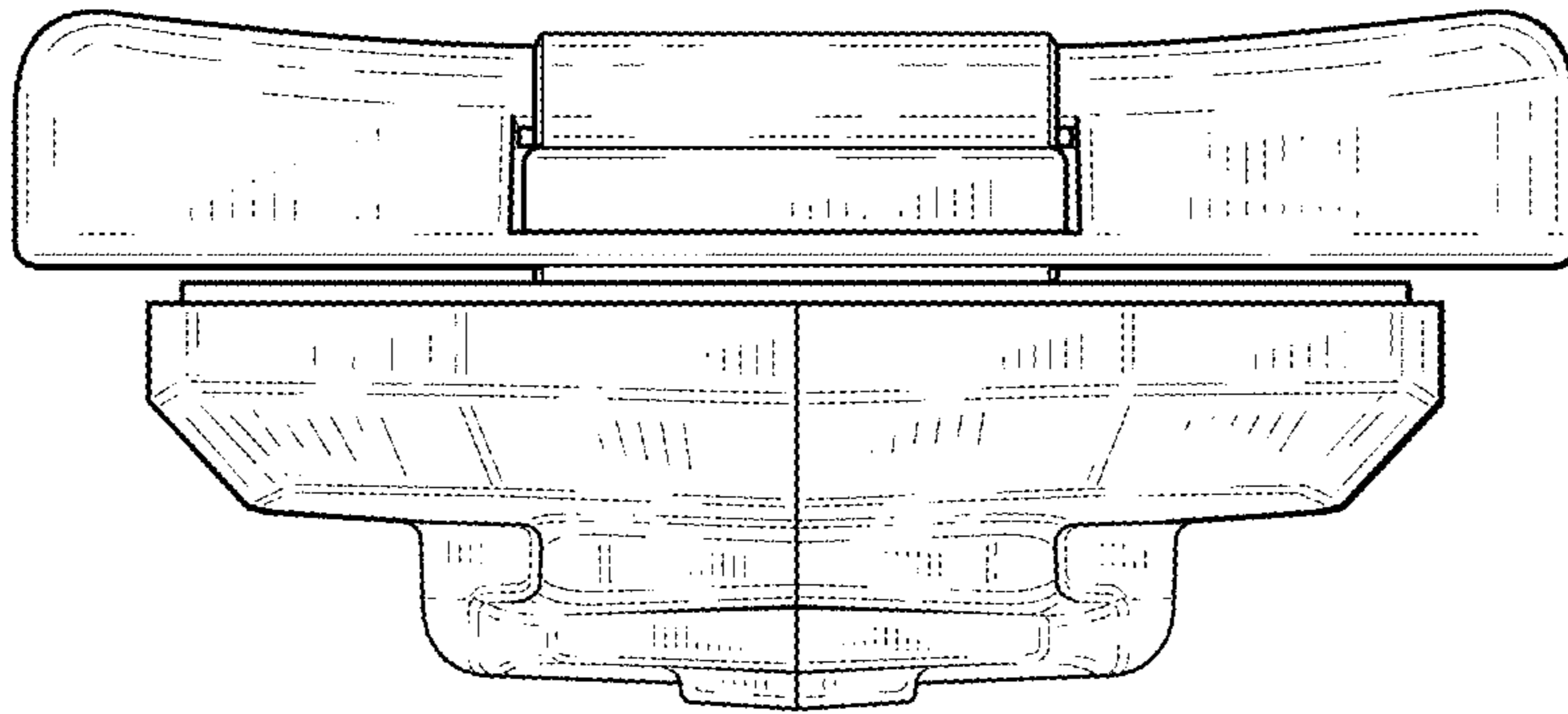


FIG. 5

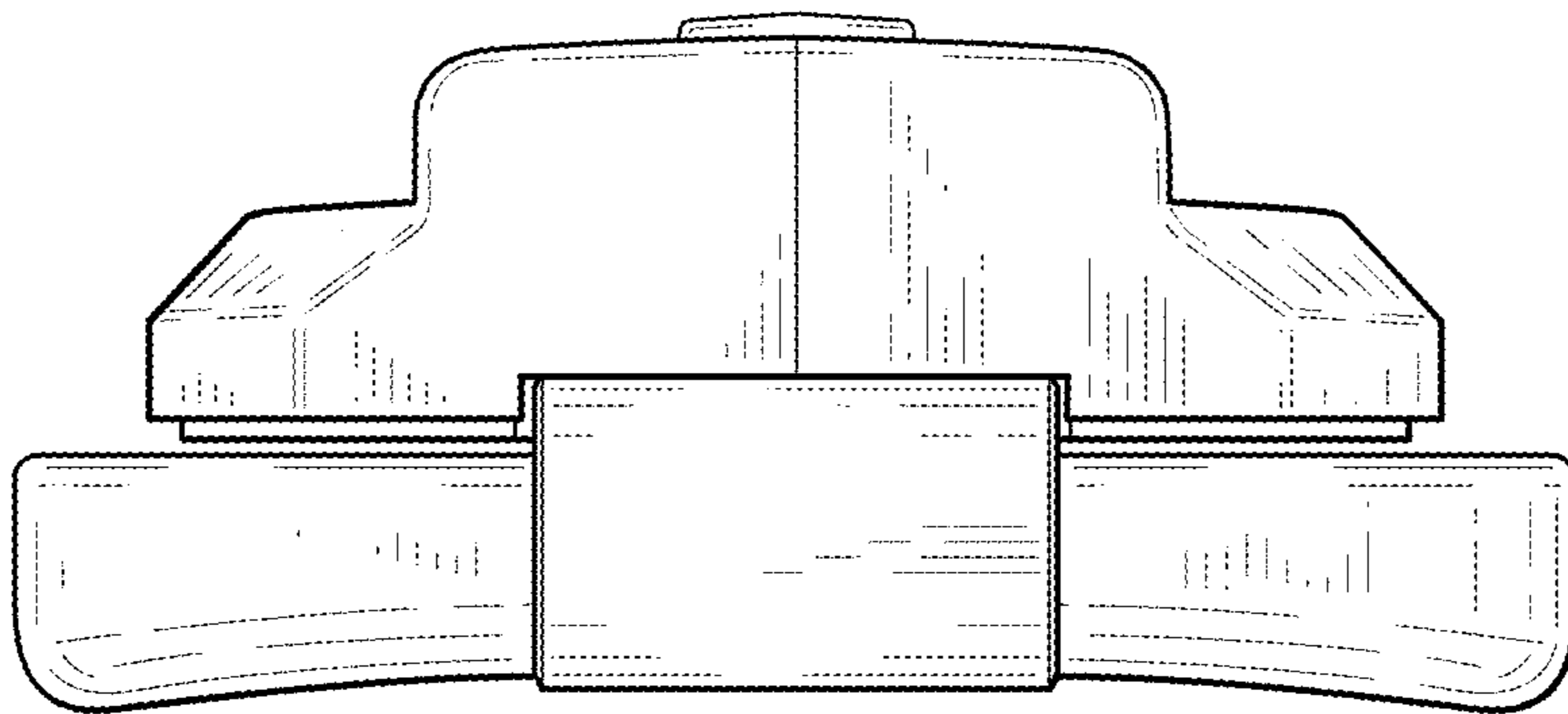


FIG. 6

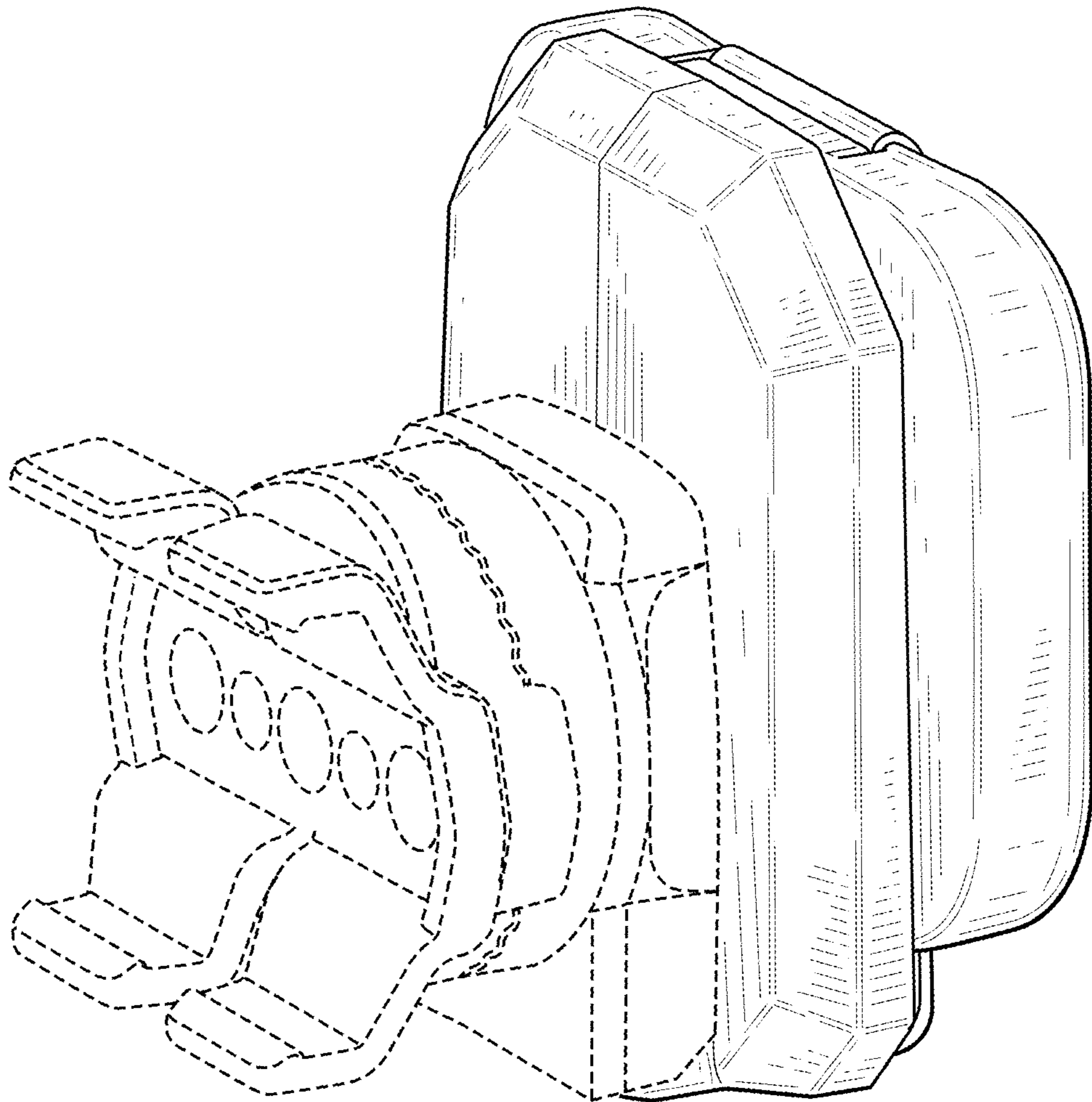


FIG. 7



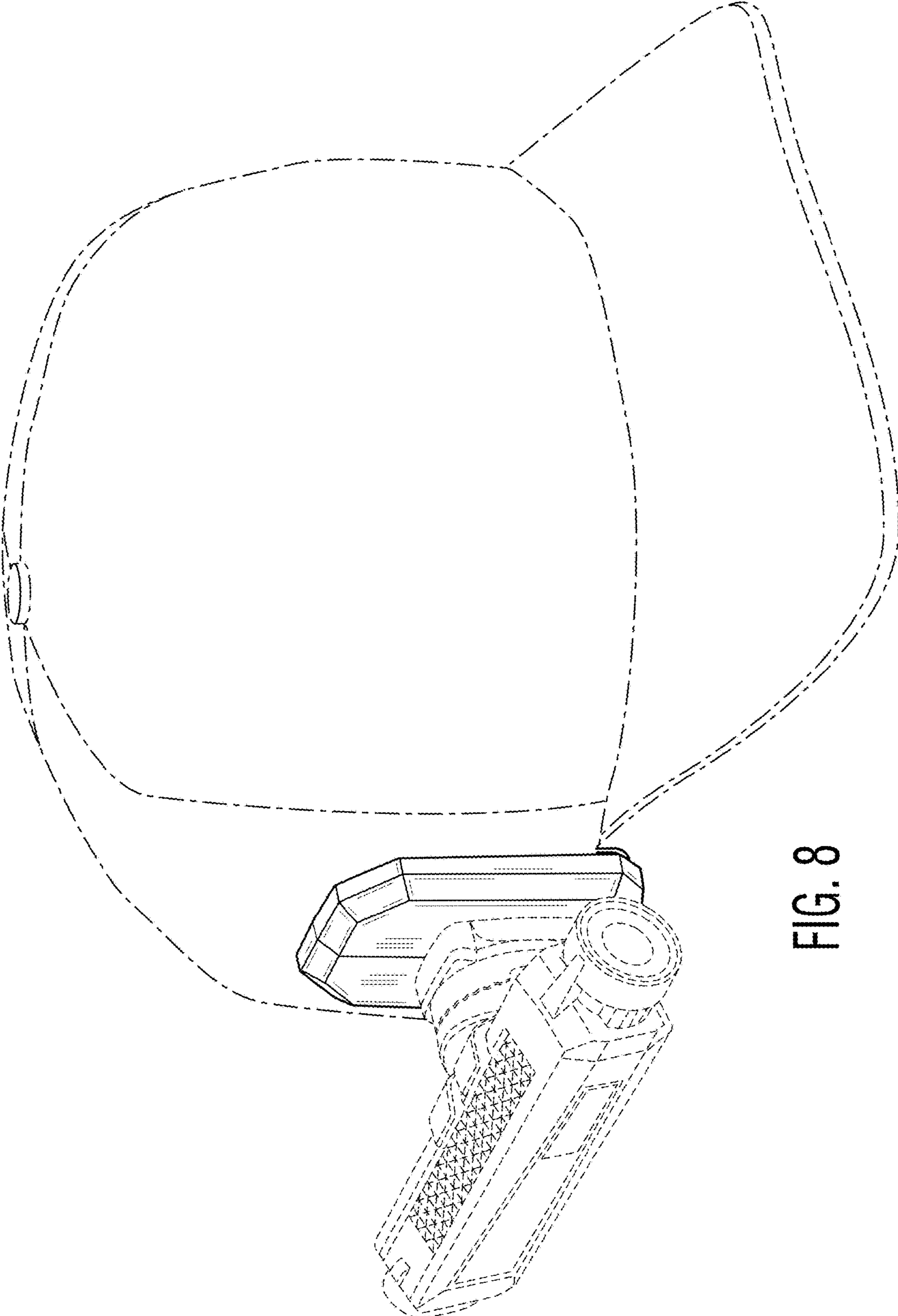


FIG. 8